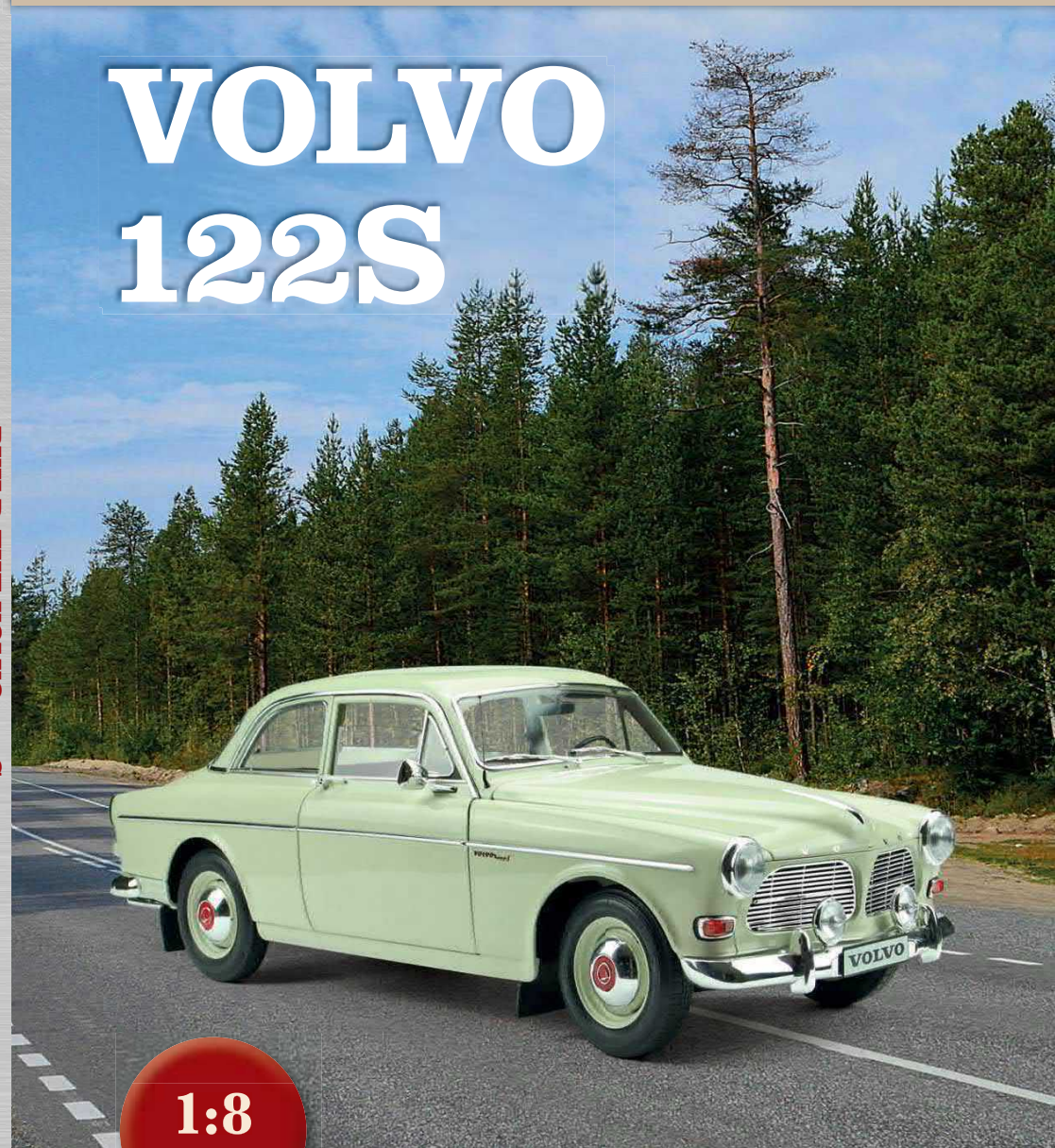


BUILD THE

# VOLVO 122S

BUILD THE VOLVO 122S



1:8  
SCALE

BUILD THE

# VOLVO 122S

## Guide to the instructions

This set of step-by-step instructions will enable you to complete the build of your **1:8-scale Volvo 122S**. The only tool you will need is a screwdriver. Most of the steps involve simply screwing or fitting parts together, and the correct screws needed for each step are clearly labelled on the instructional images.

### Please note the following:

- Where left and right elements of the same part are supplied, these are listed as (L) and (R).
  - Close-up details of steps are framed in yellow.
  - You will not be using every part you receive in your shipment in that build section. Keep any parts that are not used aside for use in a later sequence.
  - You will receive extra screws with each shipment in case any screws are lost or broken.
  - Screws with codes ending in the letter M drive into metal; those ending in the letter P drive into plastic.
  - With M screws, first drive the screw in half-way. Then unscrew it to release the shavings created as the screw cuts its thread. Finally, drive the screw fully into the socket. M screws should be tightened so the head makes firm contact with the fixing surface.
- With P screws, do not over-tighten them as they can damage the socket.
  - When working with the pre-finished exterior surfaces of the model, work on a soft cloth. This will protect against scratching the paintwork.
  - When plugging wires in, ensure the power is switched off.
  - Tweezers can be used to fit the PVC cables. In this case, grip carefully around 5mm from the end of the cable. If the end of the cable is too narrow to fit on to the pin, cautiously insert a cocktail stick, being wary not to split the cable.
  - Some smaller plastic parts are attached to sprues. You can remove these by hand, or by careful use of a cutting implement such as a scalpel.



Volvo 122S and the Volvo logo are registered trademarks used under license from Volvo Car Corporation. ©2021 Volvo Car Corporation

© IXOCOLLECTIONS SAS  
© IXOMODELS

**Customer service:** [contact@ixo-collections.fr](mailto:contact@ixo-collections.fr)

**Packaged by:** Milanoedit srl, [www.milanoedit.com](http://www.milanoedit.com)

**Model assembly:** Enrico Del Prete

**Photography credits:** Shutterstock.com (pp.3-5)



# VOLVO 122S

**T**he Volvo 122S Amazon hit the automotive market in 1956, and it was a classic example of Swedish car manufacturing quality. It was presented as a large mid-sized vehicle, designed to be the step up from the PV544 and to complete the Swedish manufacturer's range of vehicles. Its original name was "Amason" (soon Englishified to Amazon) in honour of the great female warriors from Greek mythology, and it remained in production until 1970, initially at the Volvo plant in Lundby (a district of Gothenburg) and subsequently

**D**er Volvo 122S Amazon, der 1956 erstmalig präsentiert wurde, war ein typisches Beispiel für schwedische Qualitätsarbeit. Als großer Mittelklassewagen stand er eine Stufe über dem PV544 und sollte das Angebot des schwedischen Unternehmens vervollständigen. Sein Name „Amazon“ leitet sich von den mutigen Kriegerinnen der griechischen Mythologie ab. Vom Amazon wurden bis 1970 zunächst im Volvo-Werk in Lundby (einem Stadtteil von Göteborg) und schließlich im 1964 eröffneten Werk in Torslanda insgesamt 667.791

**L**a Volvo 122S Amazon, bel exemple d'une voiture suédoise de qualité, est arrivée sur le marché automobile en 1956. Présentée comme une voiture moyenne mais de grande taille, elle a été conçue pour se positionner un cran au-dessus de la PV544 et ainsi compléter la gamme du constructeur suédois. Baptisée « Amason » (bientôt anglicisé en Amazon) en l'honneur des nobles guerrières de la mythologie grecque, elle a été produite jusqu'en 1970, d'abord dans l'usine Volvo de Lundby (un quartier de Göteborg), puis

at the Torslanda plant, which opened in 1964. A total of 667,791 vehicles were produced, approximately 60% of which were exported. The response from the domestic and European markets was so positive that Volvo was convinced to try and break into the US market as well, where the Amazon arrived in 1959 with the 122S version presented at the New York International Auto Show that same year.

## **A winning design**

Designed by Jan Wilsgaard, the 120 series – which became the model's new name when Volvo started classifying all their models with three digits – was inspired by the American cars of the 1950s, in particular the Chrysler New Yorker and the Chrysler 300C hardtop coupé, as well as a Kaiser vehicle which Wilsgaard saw in Gothenburg harbour. Its body, available in three variants with two, four or five doors (station wagon), stood out for its high, curved beltline, wide shoulder lines and subtle yet visible tailfins. The 122S arrived in 1958 and was the sporty version of the 121. It had a B16 1580 cc engine with two carburetors providing 76 hp. In 1961 the more powerful 1778 cc, 90 hp B18 engine was introduced, which was then substituted in 1986, towards the end of the car's production period, by the even more powerful 1986 cc, 100 hp B20 engine.

Exemplare produziert, von denen etwa 60% für den Export bestimmt waren. Aufgrund der großen Akzeptanz des Wagens sowohl auf dem heimischen als auch auf dem europäischen Markt wagte Volvo schließlich auch den Schritt in die Vereinigten Staaten: 1959 wurde der Amazon auf der New York International Auto Show in der Version 122S vorgestellt.

## **Ein gelungener Entwurf**

Die von Jan Wilsgaard entworfene Serie 120 – das Modell wurde umbenannt, als Volvo auf die dreistellige Klassifizierung umstieg – war von den amerikanischen Wagen der 50er Jahre inspiriert, insbesondere vom Chrysler New Yorker und dem Chrysler 300C Hardtop-Coupé, aber auch von einem Kaiser, der im Hafen von Göteborg gesichtet wurde: Seine Karosserie, die in drei Versionen mit zwei, vier und fünf Türen (Kombi) angeboten wurde, zeichnete sich durch eine hohe, abgerundete Gürtellinie, breite „Schultern“ und kaum ausgeprägte, gerade noch sichtbare Heckflossen aus. Der 122S, die sportliche Version des 121, kam 1958 auf den Markt. Er wurde von einem B16-Motor mit 1580 cm<sup>3</sup> Hubraum sowie zwei Vergasern angetrieben und leistete 76 PS. 1961 kam der B18 mit 1778 cm<sup>3</sup> und 90 PS auf den Markt, der am Ende der Produktion durch den noch stärkeren B20 mit 1986 cm<sup>3</sup> und 100 PS ersetzt wurde.

dans celle de Torslanda ouverte en 1964, pour un total de 667 791 unités, dont environ 60 % étaient destinées à l'exportation. L'excellent accueil réservé à la voiture sur les marchés nationaux et européens a convaincu Volvo de la proposer également aux États-Unis, où l'Amazon est arrivée en 1959 avec la version 122S présentée au Salon international de l'automobile de New York cette année-là.

## **Un projet gagnant**

Conçue par Jan Wilsgaard, la série 120 (comme le modèle a été rebaptisé lorsque Volvo a adopté la classification à trois chiffres) s'est inspirée des voitures américaines des années 1950, notamment la Chrysler New Yorker et le coupé hardtop Chrysler 300C, mais aussi d'une Kaiser aperçue dans le port de Göteborg : sa carrosserie, proposée en trois versions à deux, quatre et cinq portes (break), se distinguait par une taille haute et bombée, de larges « montants » et des ailerons arrière peu prononcés mais toujours visibles. La 122S est arrivée en 1958 et était la version sportive de la 121. Elle était équipée d'un moteur B16 de 1580 cm<sup>3</sup> à deux carburateurs et 76 ch. En 1961, la B18, plus puissante, de 1778 cm<sup>3</sup> et 90 ch, a été remplacée à la fin de la production par la B20, encore plus puissante, de 1986 cm<sup>3</sup> et 100 ch.



### **The 122S legacy**

Almost fifty years on and the Volvo 122S Amazon is still remembered as a vehicle of absolute quality. Indeed, the high production standards of the Swedish manufacturer came across not only via the immense joy of driving the car, but it was also evident in the robustness of its body, whose phosphatised steel guaranteed excellent paint adherence, initially only available in two colours. It should also not be forgotten that the 120 series was the first range of vehicles to introduce the 3-point front seat belts designed by Nils Bohlin.

### **Das Erbe des 122S**

Noch fünfzig Jahre später spricht man vom Volvo 122S Amazon als einem Wagen von außergewöhnlicher Qualität. Die hohen Produktionsstandards des schwedischen Unternehmens spiegeln sich nicht nur im Fahrspaß, sondern auch in der Robustheit der Karosserie wider, deren phosphatierter Stahl dafür sorgte, dass die zunächst zweifarbige Lackierung lange hielt. Außerdem war der 120 die erste Serie, die mit den 3-Punkt-Sicherheitsgurten von Nils Bohlin ausgestattet war.

### **L'héritage de la 122S**

Cinquante ans plus tard, la Volvo 122S Amazon reste dans les mémoires comme une très belle voiture. Les normes de production élevées du constructeur suédois se reflétaient non seulement dans le plaisir de conduire mais aussi dans la robustesse de sa carrosserie, dont l'acier, au revêtement phosphaté, assurait la bonne tenue de la peinture. La voiture était initialement prévue en deux coloris. Il convient également de rappeler que la série 120 a également été la première à être équipée des ceintures de sécurité avant à 3 points de Nils Bohlin.

# Key specs

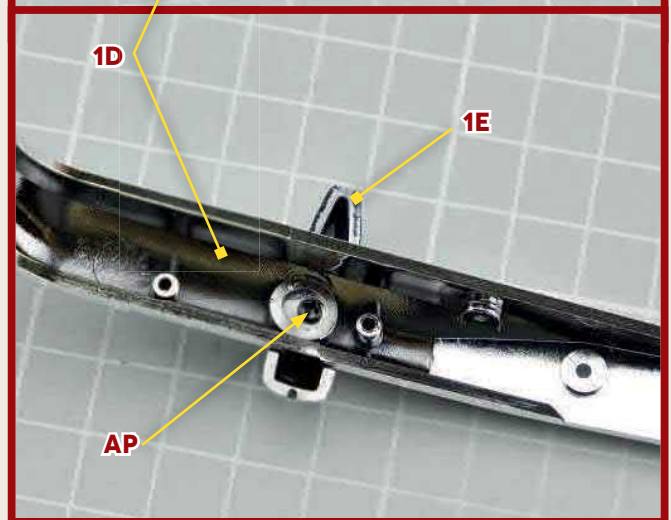
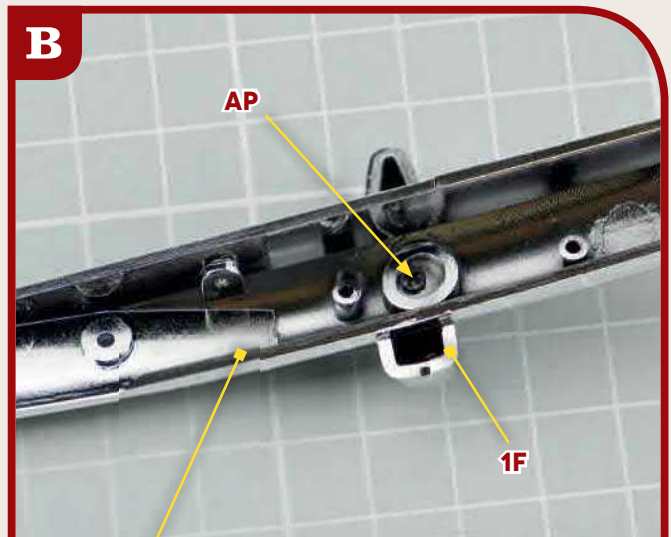
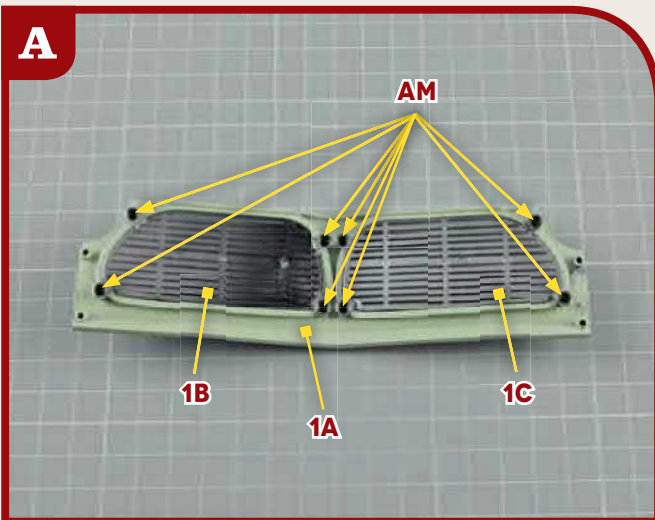
<b>Engine configuration</b>	Volvo B18
<b>Engine location</b>	Front, longitudinally mounted
<b>Cylinders</b>	4 in-line
<b>Valves</b>	8
<b>Cubic capacity</b>	1782 cc
<b>Bore x stroke</b>	84.2 x 80 mm
<b>Compression ratio</b>	8.7:1
<b>Power</b>	86 bhp at 5,400 rpm
<b>Torque</b>	140 Nm at 3,200 rpm
<b>Body</b>	Phosphate-treated steel, 2-door sedan
<b>Front axle</b>	1,314 mm
<b>Rear axle</b>	1,314 mm
<b>Brakes</b>	Disc brakes (front wheels)
<b>Drive</b>	Rear wheel drive
<b>Gearbox</b>	4 speed, manual
<b>Length</b>	4,451 mm
<b>Width</b>	1,619 mm
<b>Height</b>	1,505 mm
<b>Wheelbase</b>	2,604 mm
<b>Weight</b>	1090 kg
<b>Top speed</b>	148 km/h



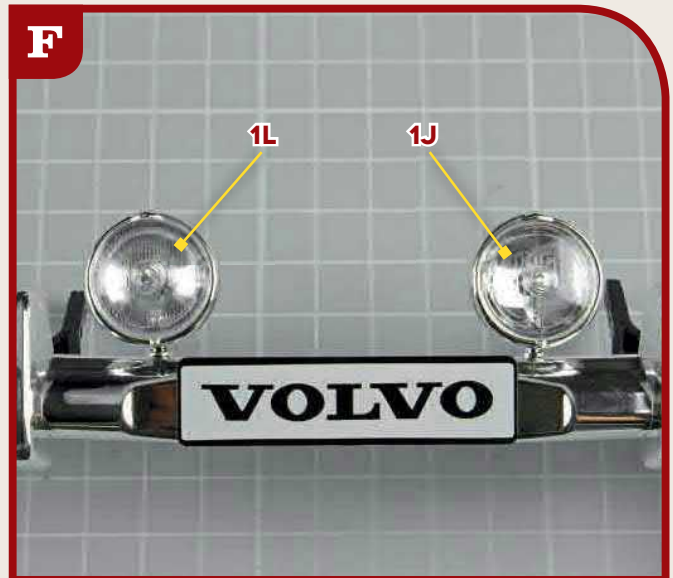
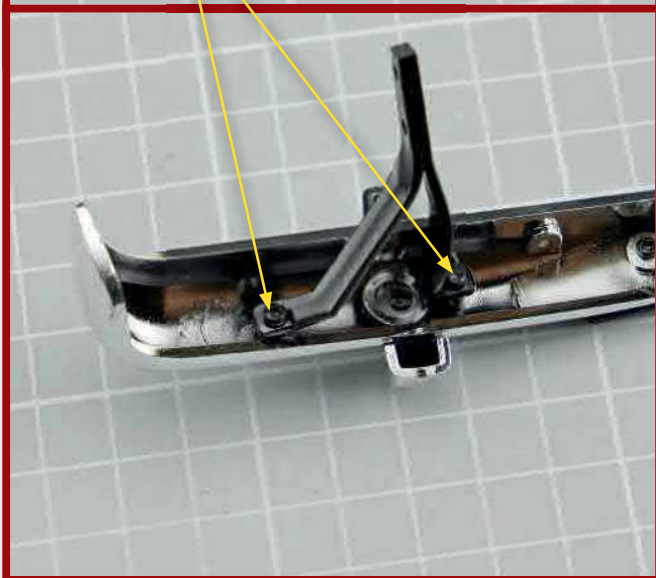
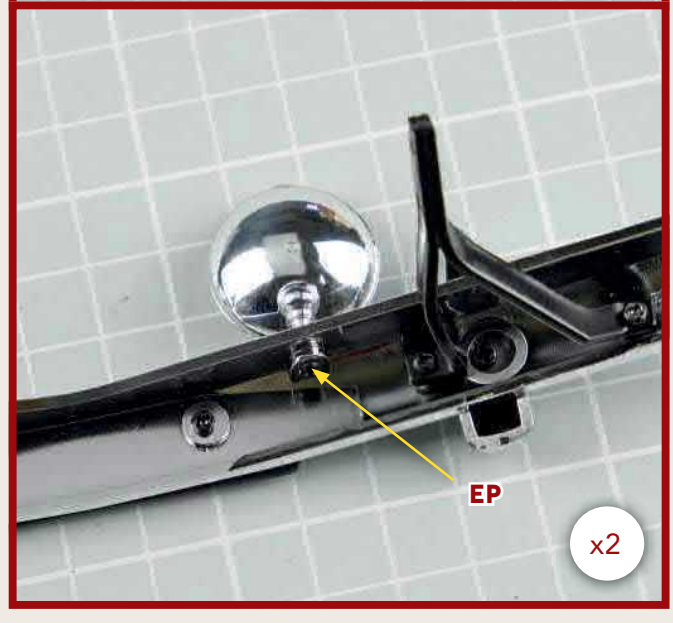
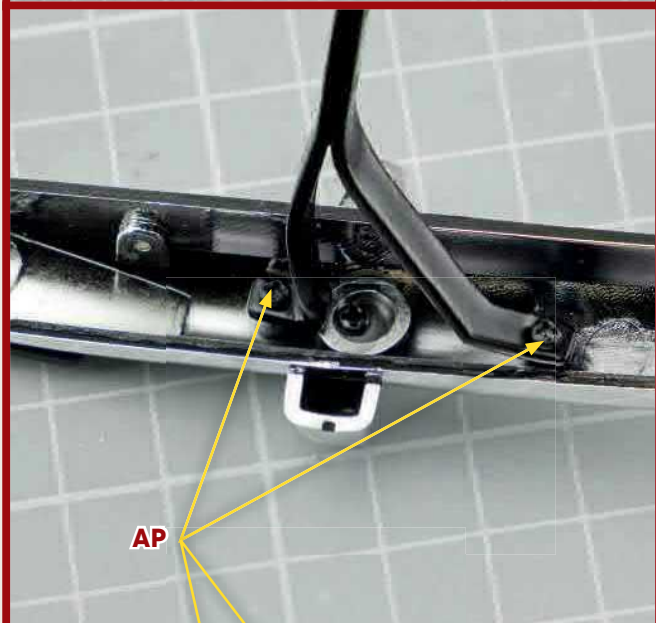
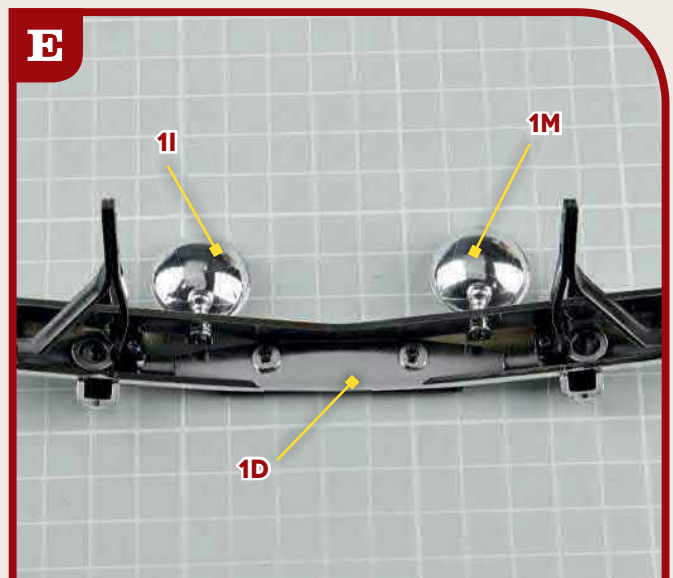
**01 PARTS LIST**



- 1A** Front grill mount
- 1B** Front grill 1 (L)
- 1C** Front grill 2 (R)
- 1D** Front bumper
- 1E** Bumper detail 1 (L)
- 1F** Bumper detail 2 (R)
- 1G** Bumper bracket 1 (L)
- 1H** Bumper bracket 2 (R)
- 1I** Fog light body 1 (L)
- 1J** Fog light lens 1 (L)
- 1K** Front plate
- 1L** Fog light lens 2 (R)
- 1M** Fog light body 2 (R)
- 1N** Screwdriver 1
  
- AM** 8 screws (2x4 mm)
- AP** 6 screws (2x4 mm)
- EP** 2 screws (1.7x4 mm)
- CP** 2 screws (1.5x4 mm)



# STEP BY STEP 01

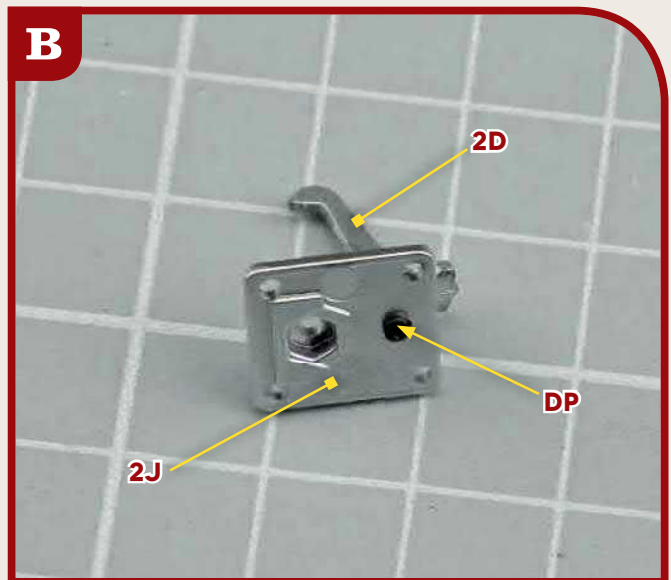
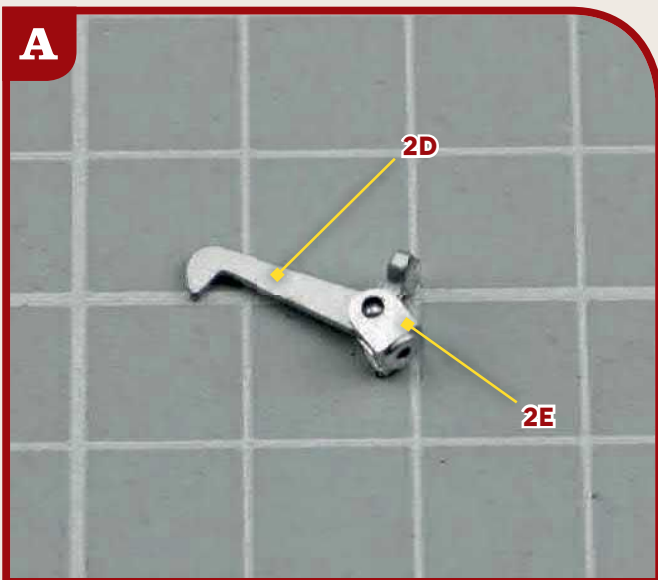




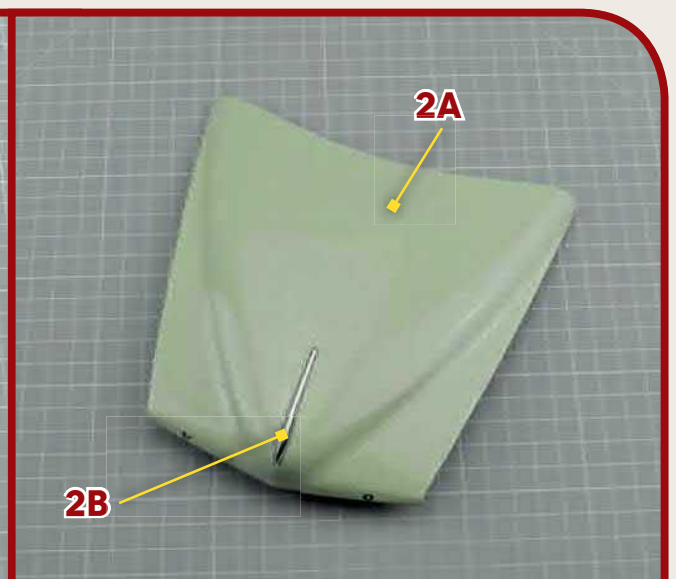
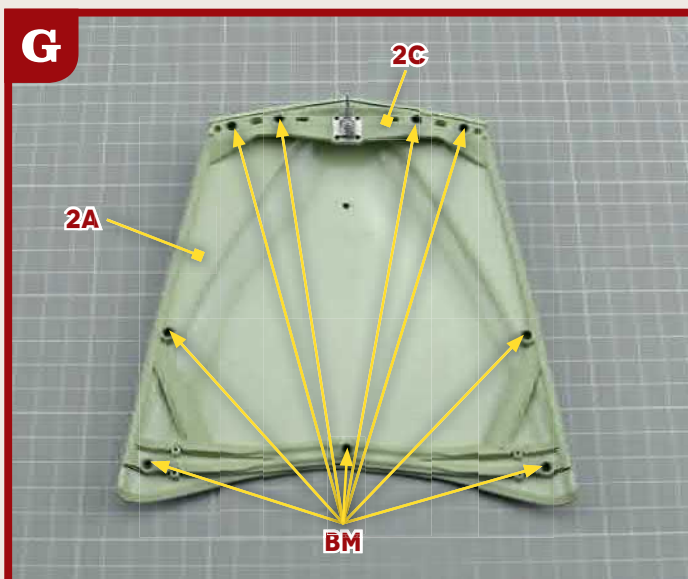
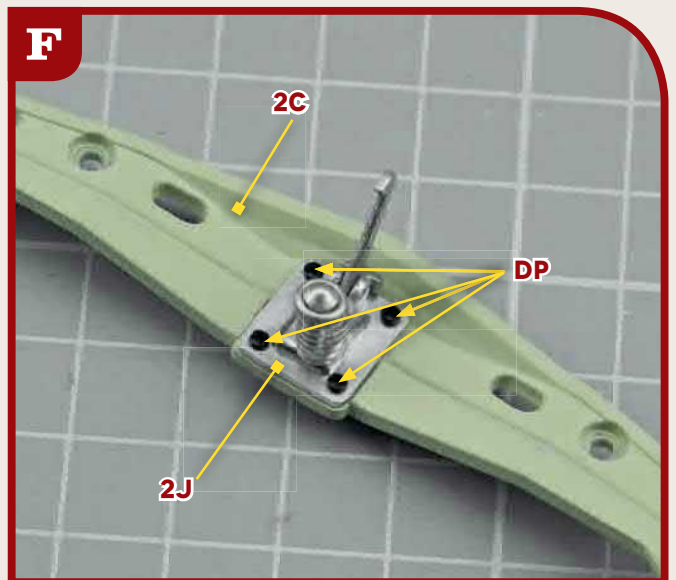
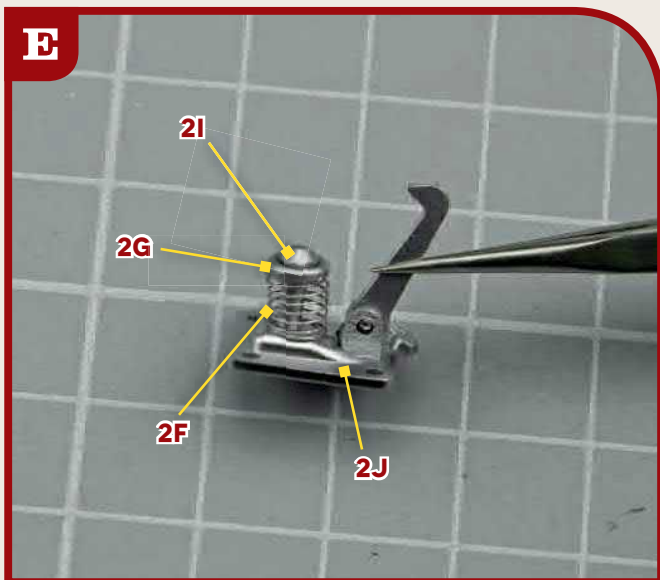
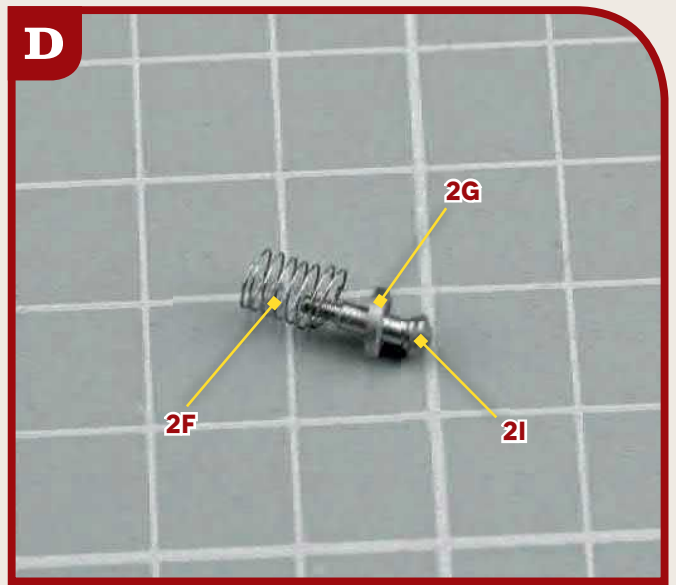
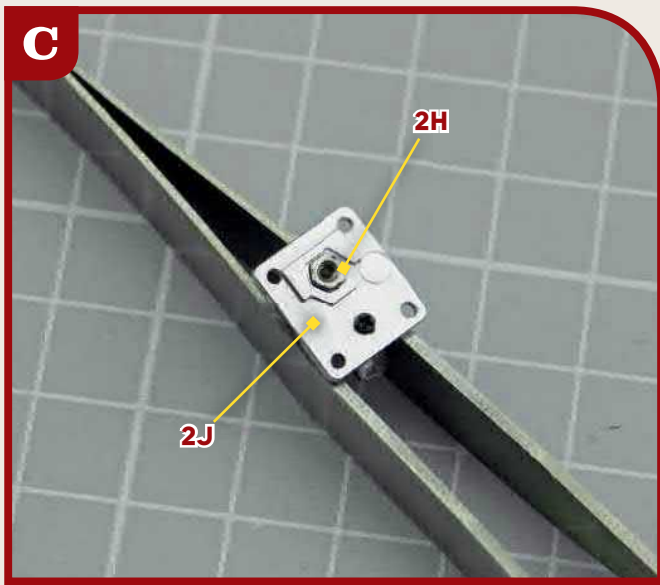
02 PARTS LIST



- |                        |                         |                               |
|------------------------|-------------------------|-------------------------------|
| <b>2A</b> Bonnet       | <b>2G</b> Ring          | <b>BM</b> 9 screws (2x4.5 mm) |
| <b>2B</b> Bonnet trim  | <b>2H</b> Nut           | <b>DP</b> 5 screws (1.2x3 mm) |
| <b>2C</b> Bonnet frame | <b>2I</b> Pin           |                               |
| <b>2D</b> Hook         | <b>2J</b> Base          |                               |
| <b>2E</b> Hook mount   | <b>2K</b> Screwdriver 2 |                               |
| <b>2F</b> Spring       | <b>2L</b> Tweezers      |                               |



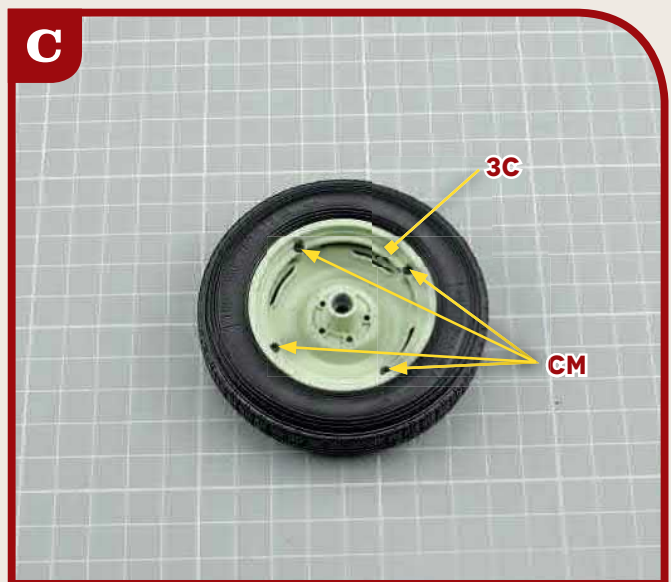
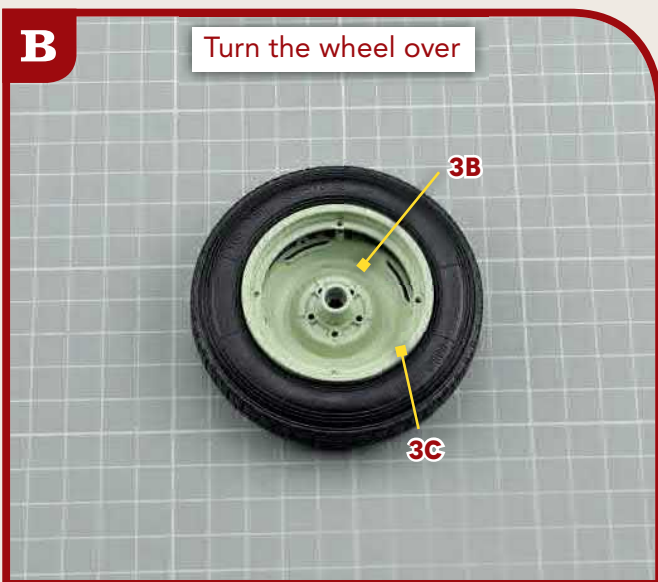
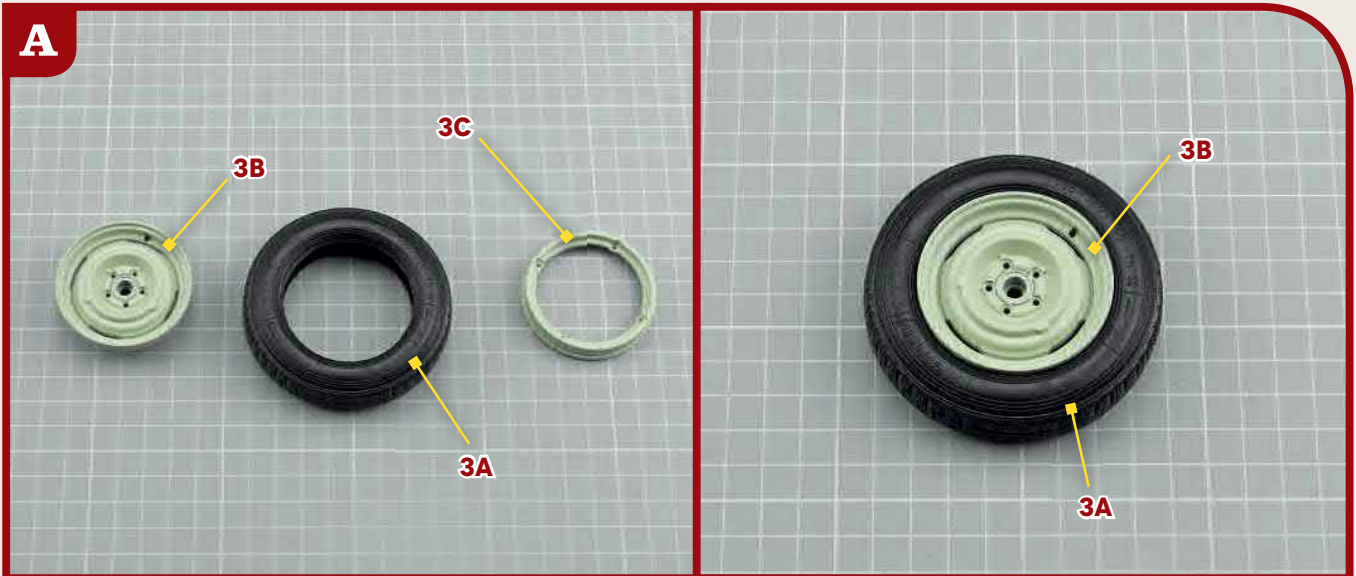
# STEP BY STEP 02



03 PARTS LIST



- 3A** Tyre
- 3B** Outer rim
- 3C** Inner rim
- 3D** Rim cover
- 3E** Hubcap
- 3F** Steering wheel
- 3G** Steering wheel inner ring
- 3H** Steering column
- CM** 4 screws (1.5x4 mm)



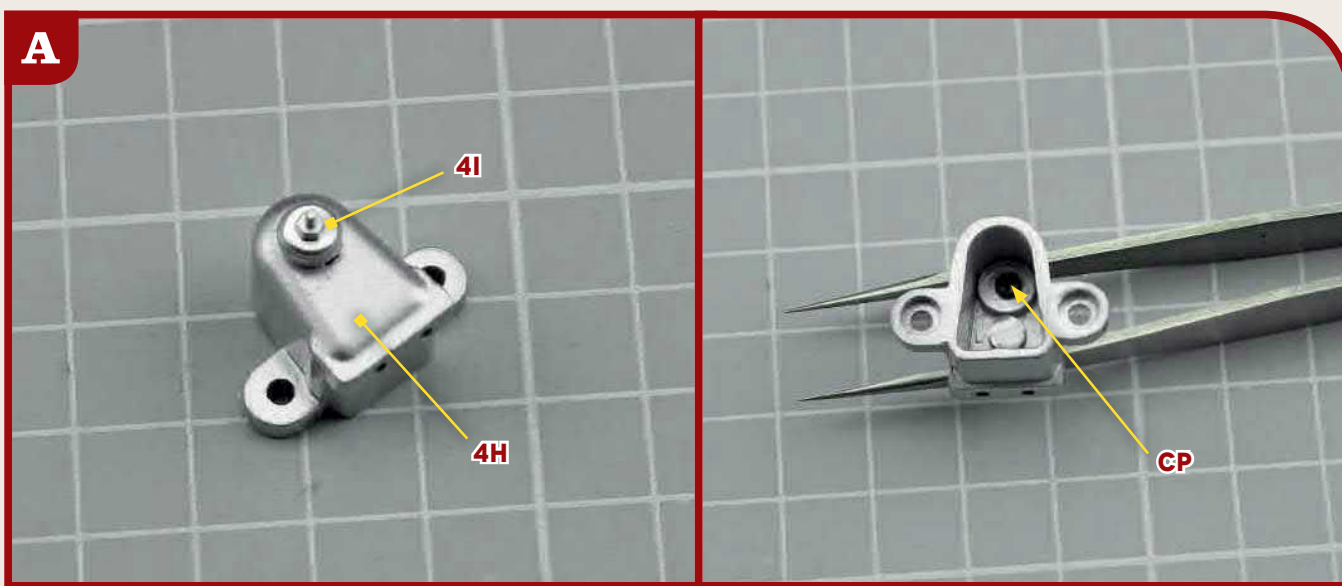
**04 PARTS LIST**

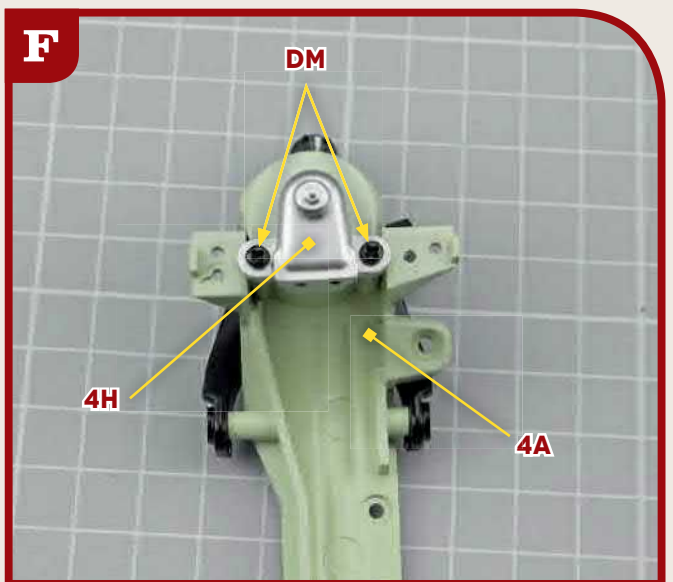
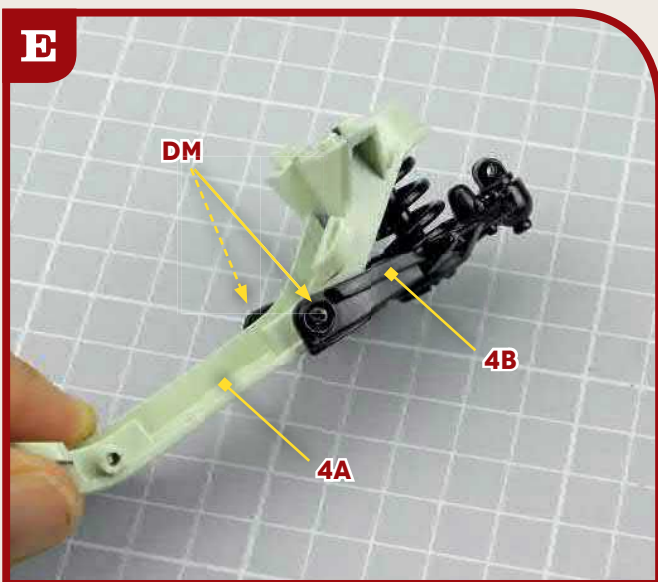
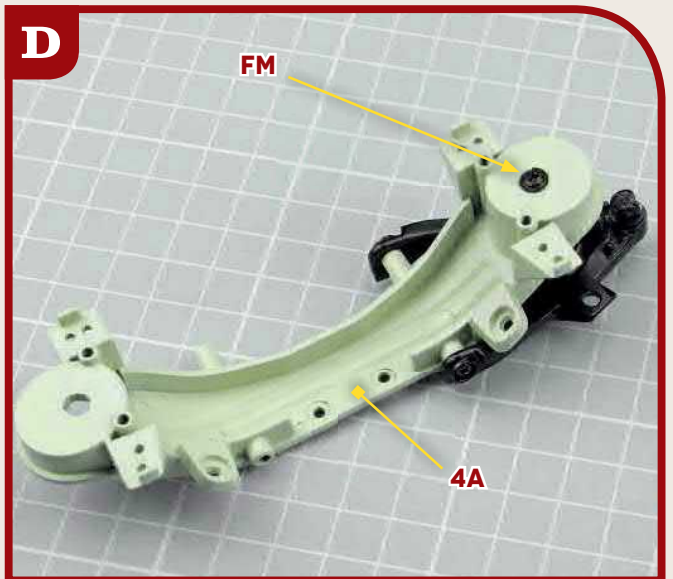
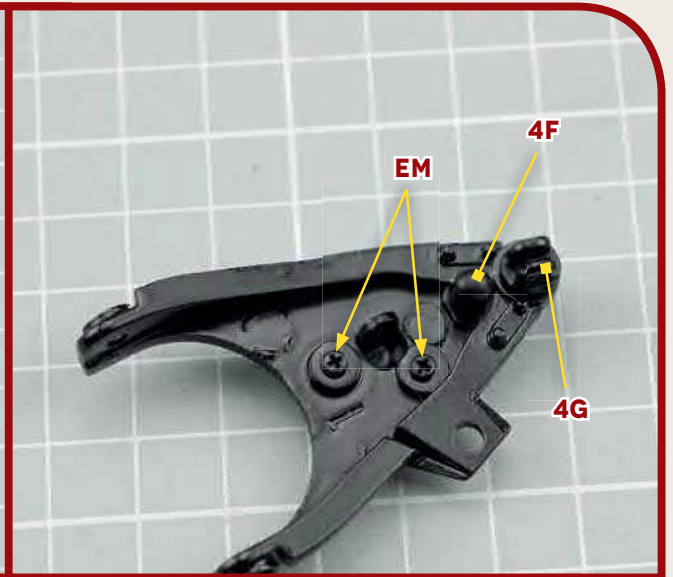
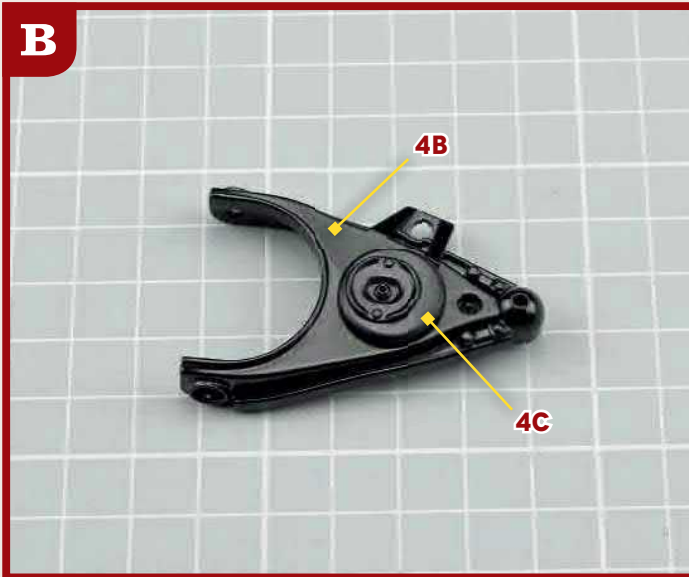


- 4A** Front suspension frame
- 4B** Lower left arm
- 4C** Spring bracket
- 4D** Rod
- 4E** Spring

- 4F** Stopper
- 4G** Axle lower stub
- 4H** Bracket
- 4I** Detail

- DM** 5 screws (2.3x4 mm)
- EM** 3 screws (1.7x4 mm)
- FM** 1 screws (2.3x4 mm)
- CP** 1 screws (1.7x4 mm)

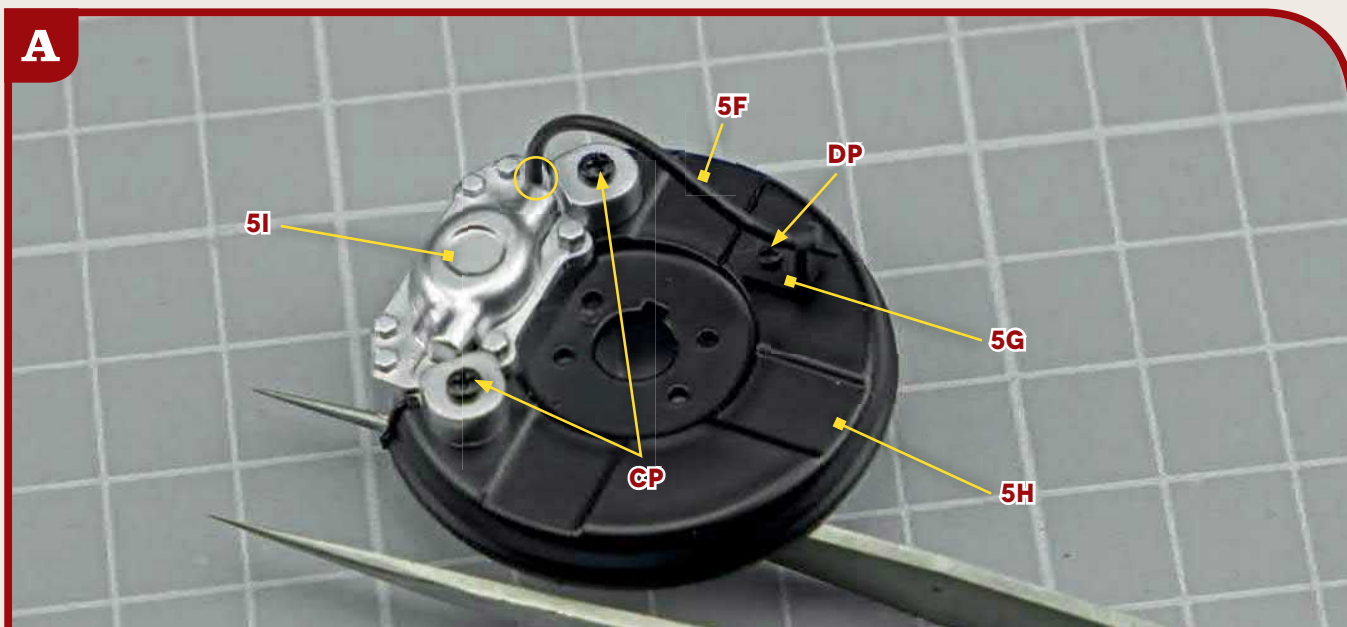


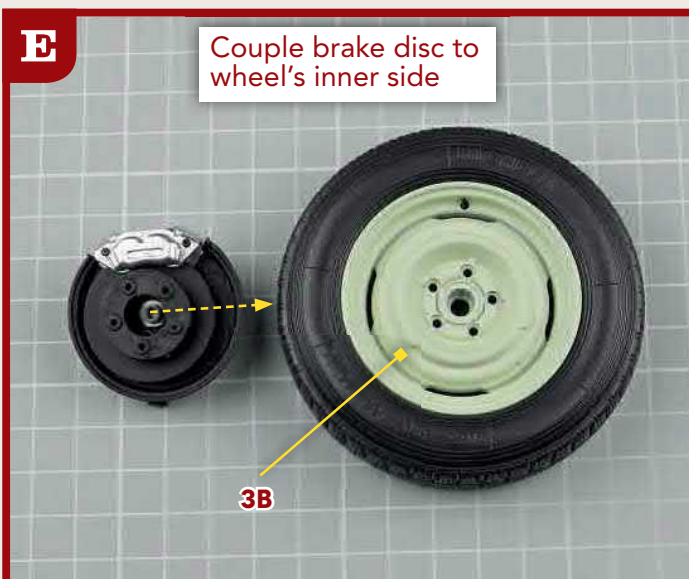
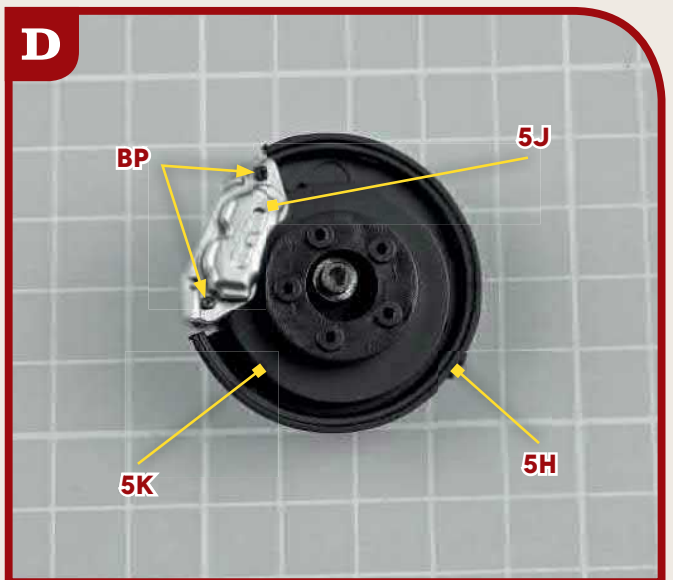
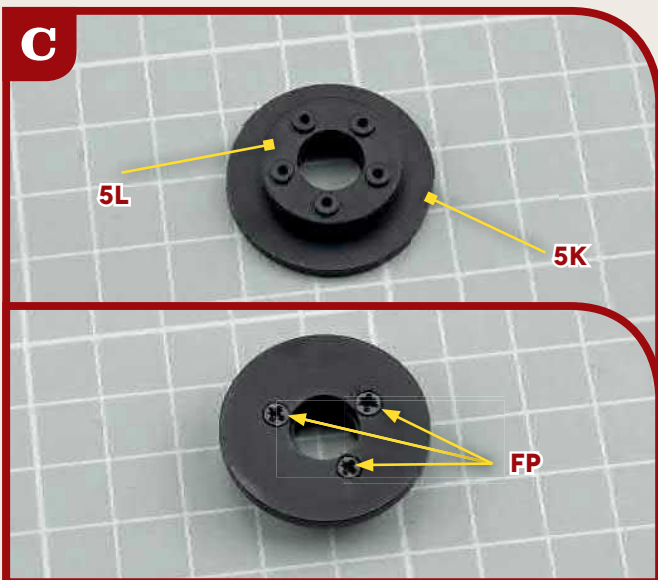
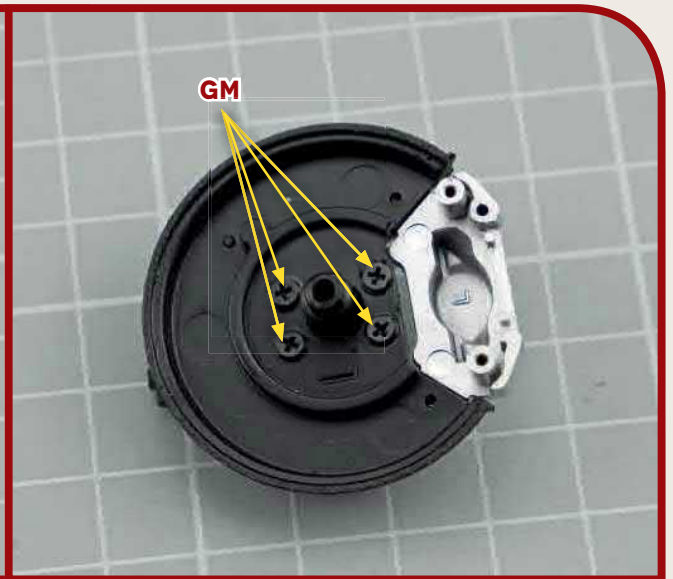


## 05 PARTS LIST

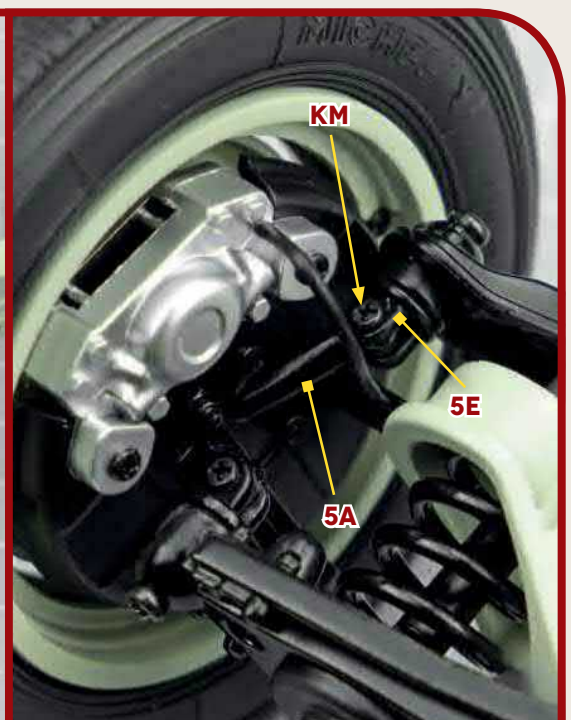
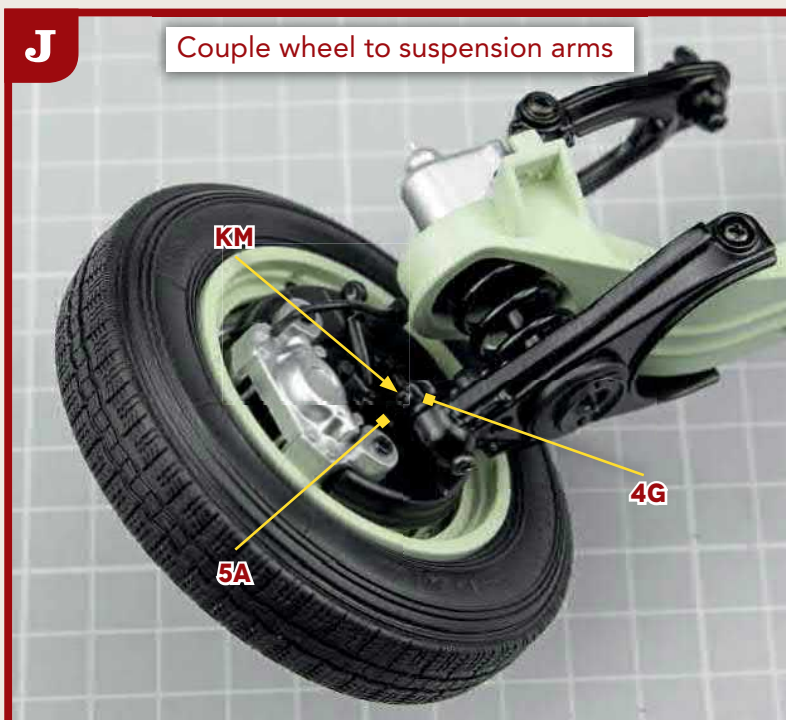
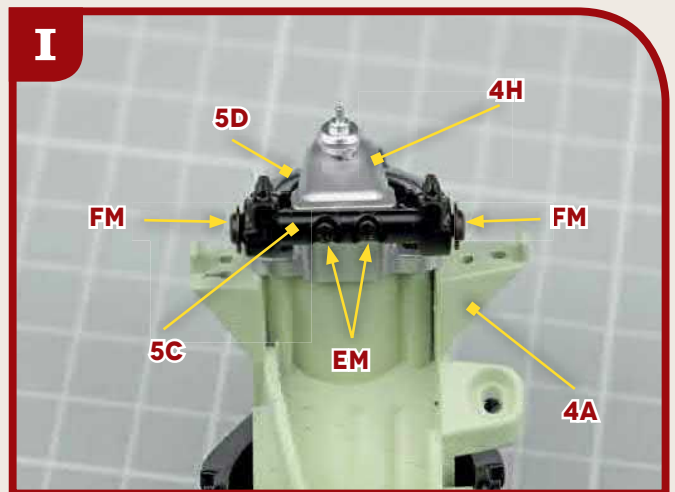
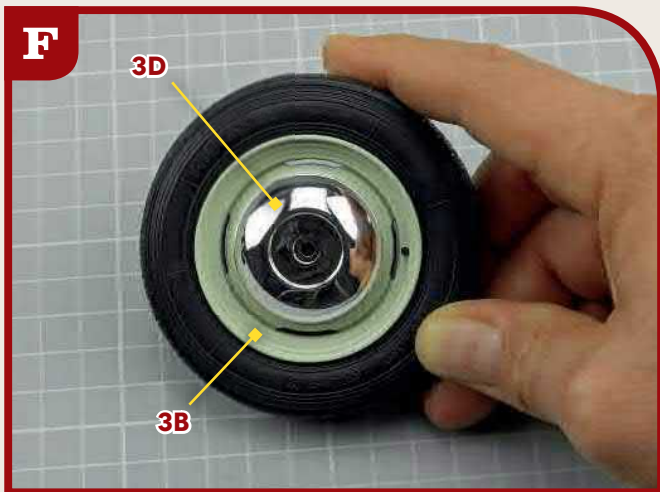


- |                                 |                               |                               |
|---------------------------------|-------------------------------|-------------------------------|
| <b>5A</b> Left front axle stub  | <b>5I</b> Calliper inner part | <b>KM</b> 2 screws (1.7x5 mm) |
| <b>5B</b> Washer                | <b>5J</b> Calliper outer part | <b>BP</b> 2 screws (1.2x4mm)  |
| <b>5C</b> Suspension bracket    | <b>5K</b> Brake disc          | <b>CP</b> 2 screws (1.7x4mm)  |
| <b>5D</b> Upper left arm        | <b>5L</b> Wheel mount         | <b>DP</b> 1 screw (1.2x3 mm)  |
| <b>5E</b> Suspension lower axle | <b>DM</b> 2 screws (2.3x4 mm) | <b>EP</b> 5 screws (1.5x4mm)  |
| <b>5F</b> Brake hose            | <b>EM</b> 2 screws (1.7x4 mm) | <b>FP</b> 3 screws (2.3x4 mm) |
| <b>5G</b> Hose bracket          | <b>FM</b> 2 screws (2.3x4mm)  |                               |
| <b>5H</b> Brake disc case       |                               |                               |





# STEP BY STEP 05

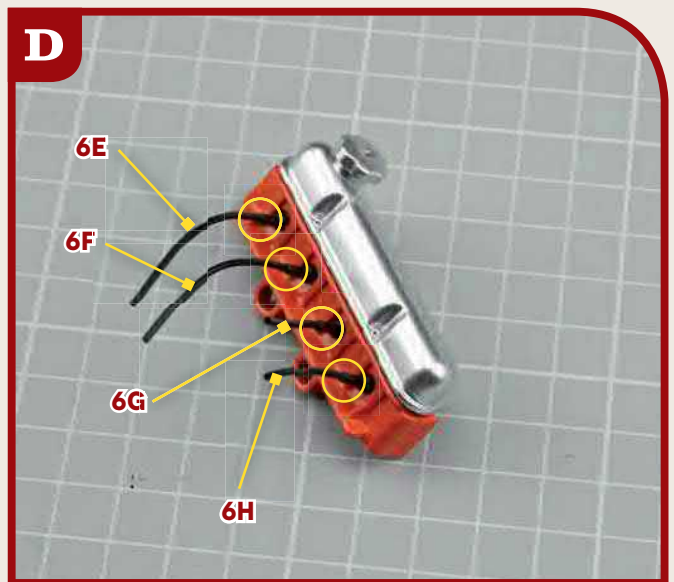
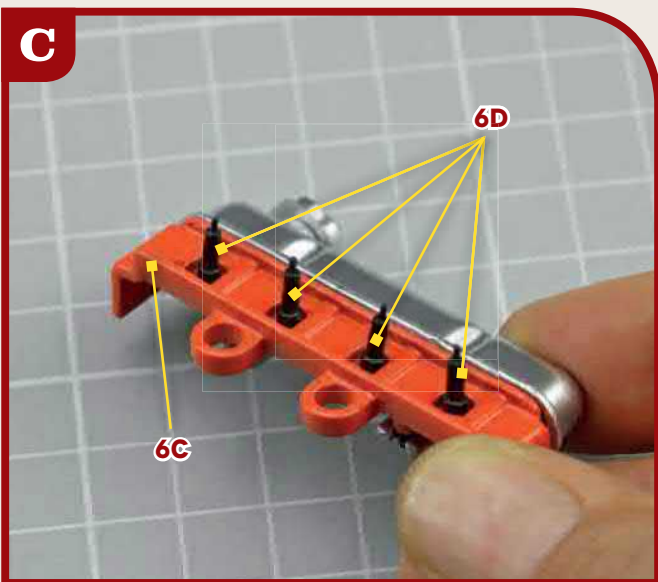
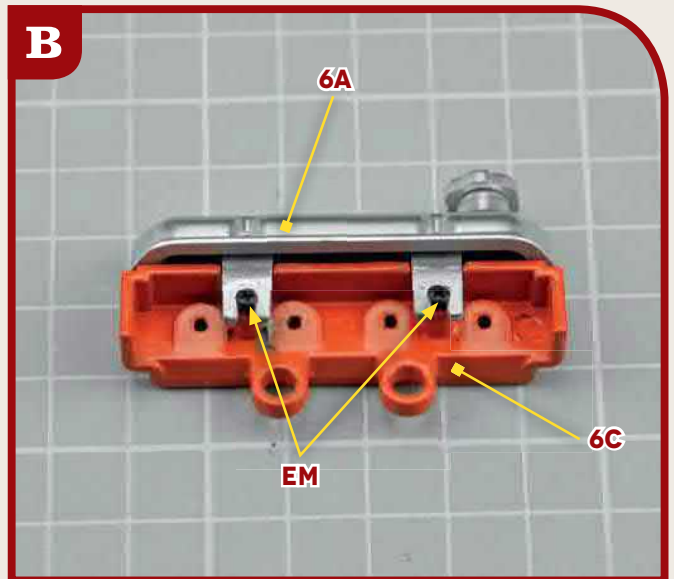
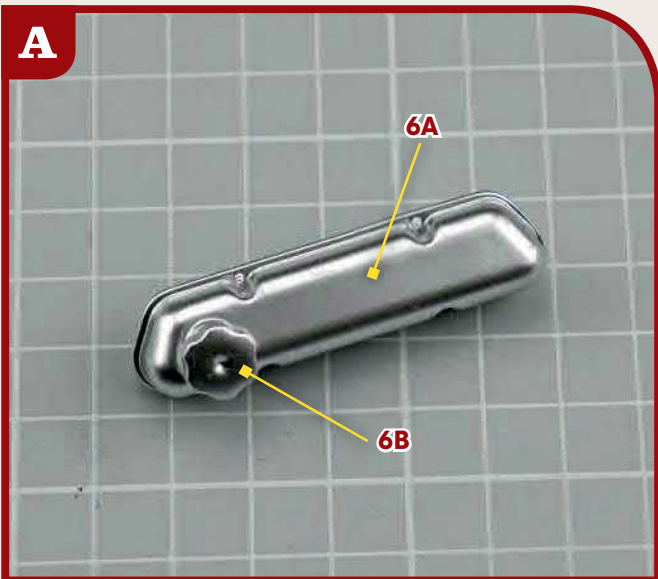




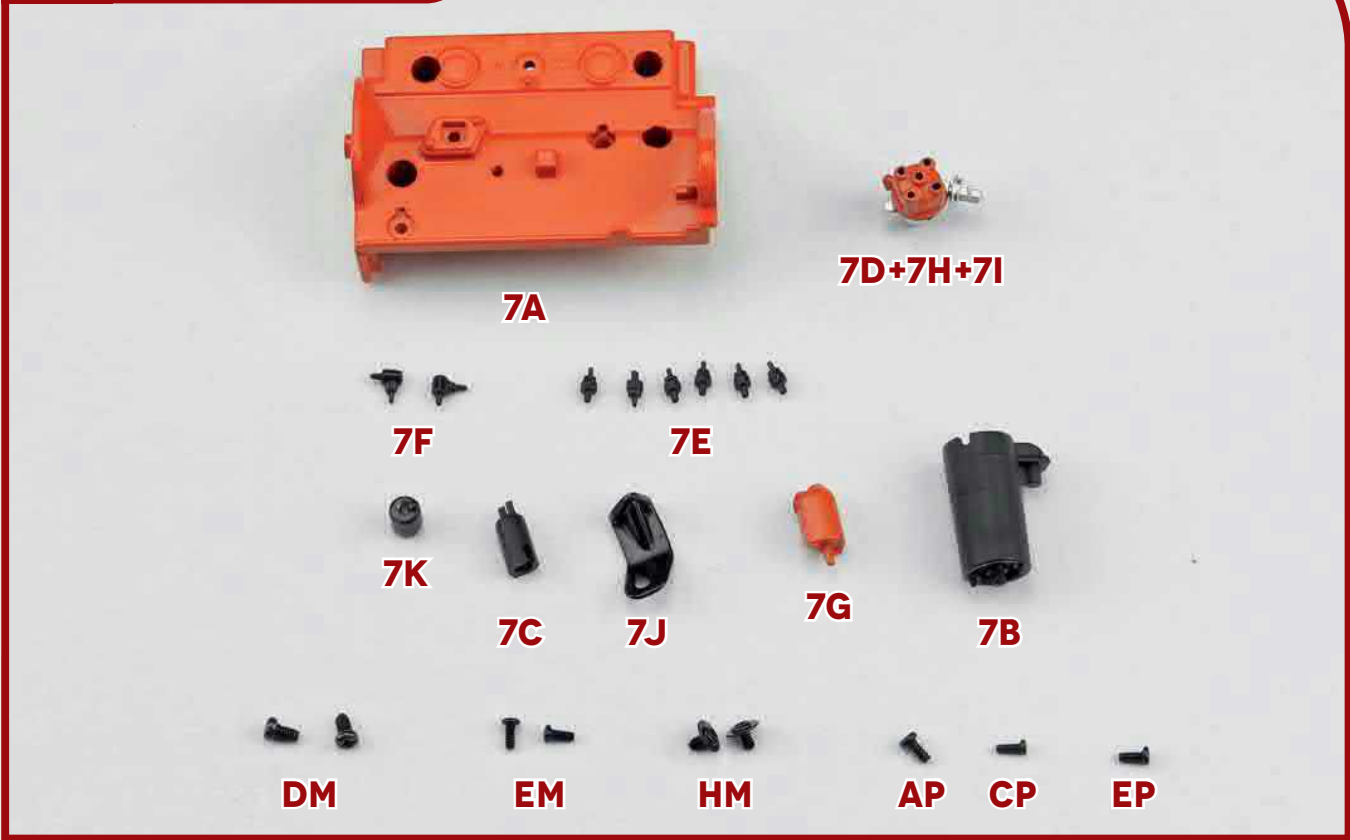
06 PARTS LIST



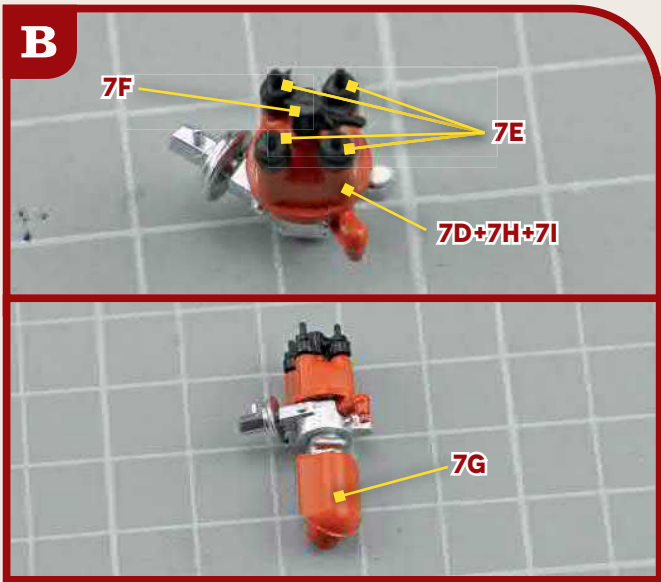
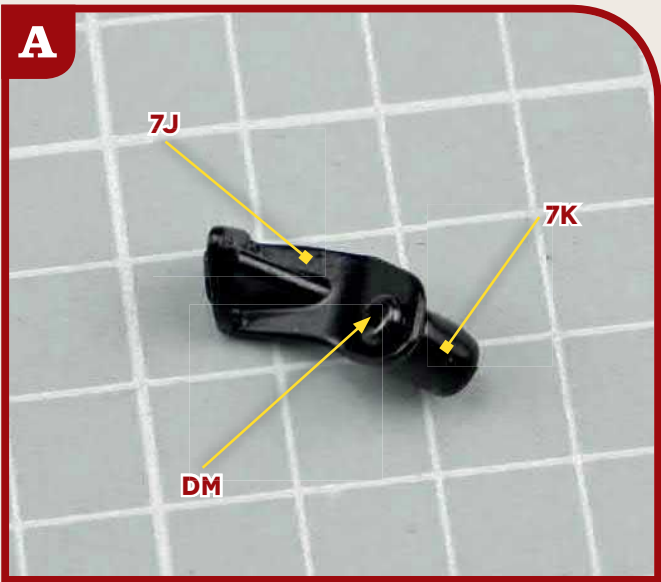
- 6A Cover
- 6B Cap
- 6C Cylinders head (L)
- 6D Spark plugs
- 6E Wire 1
- 6F Wire 2
- 6G Wire 3
- 6H Wire 4
- 6I Pipe
- 6J Hose
- 6K Dipstick
- EM 2 screws (1.7x4 mm)

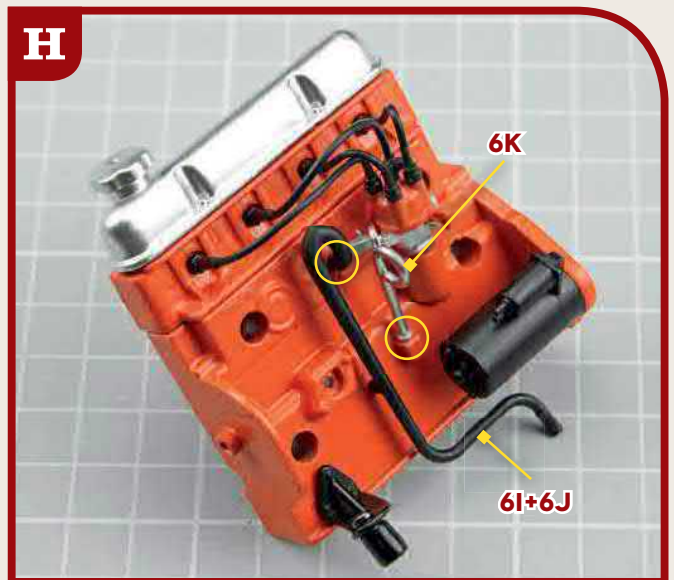
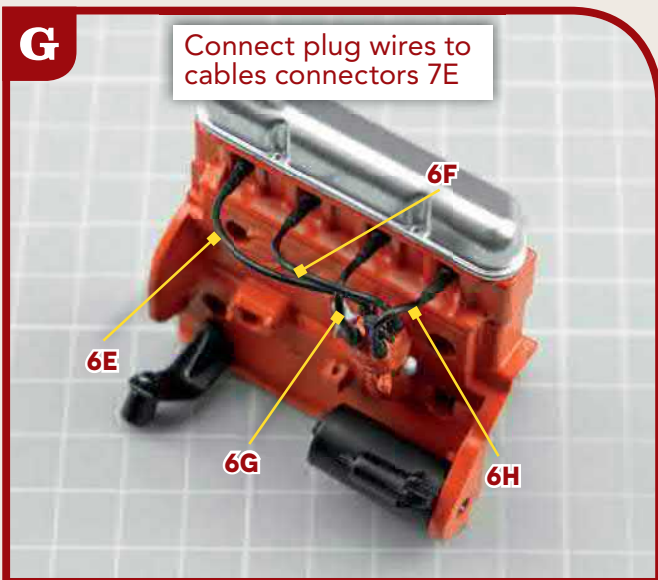
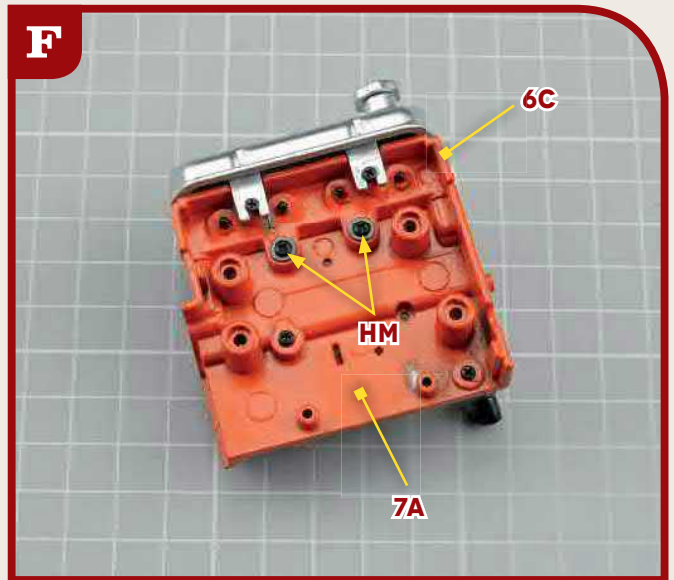
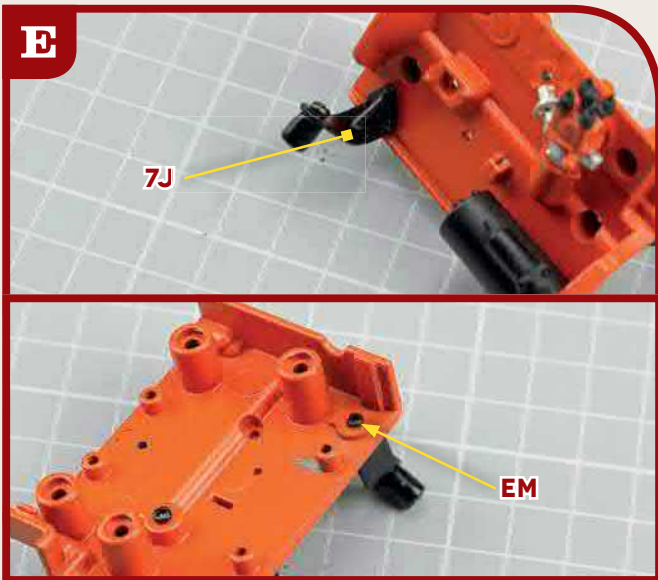
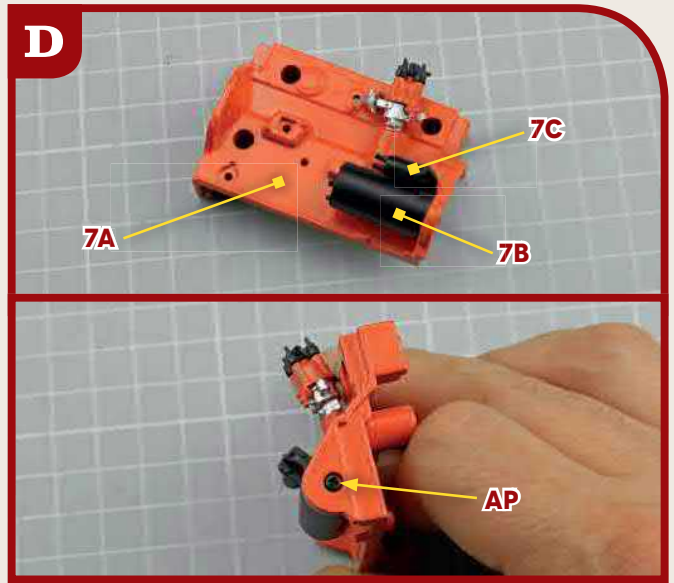
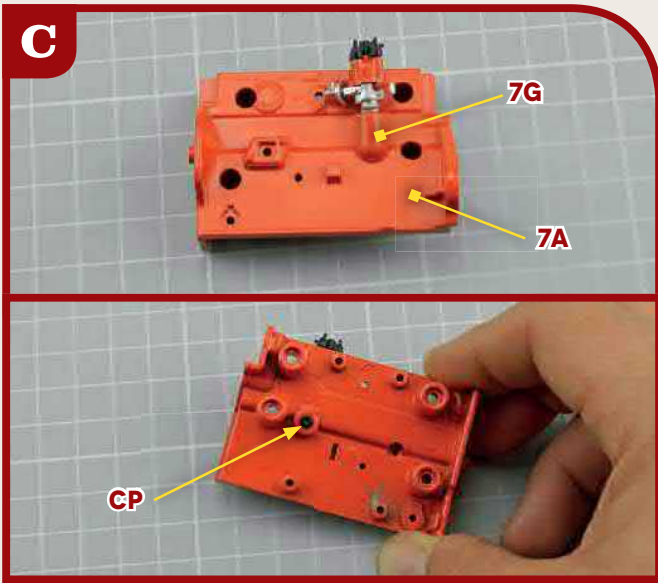


**07 PARTS LIST**



- |                              |                                   |                               |
|------------------------------|-----------------------------------|-------------------------------|
| <b>7A</b> Engine block (L)   | <b>7G</b> Distributor body casing | <b>DM</b> 2 screws (2.3x4 mm) |
| <b>7B</b> Starter            | <b>7H</b> Distributor body        | <b>EM</b> 2 screws (1.7x4 mm) |
| <b>7C</b> Magnet             | <b>7I</b> Distributor bracket     | <b>HM</b> 2 screws (2x3.5 mm) |
| <b>7D</b> Distributor cap    | <b>7J</b> Bracket                 | <b>AP</b> 1 screw (2x4 mm)    |
| <b>7E</b> Cable connectors 1 | <b>7K</b> Buffer                  | <b>CP</b> 1 screw (1.7x4 mm)  |
| <b>7F</b> Cable connectors 2 |                                   | <b>EP</b> 1 screw (1.5x4 mm)  |

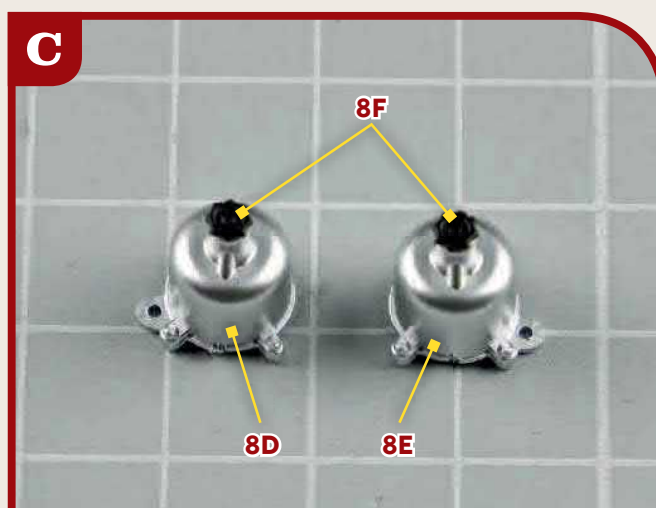
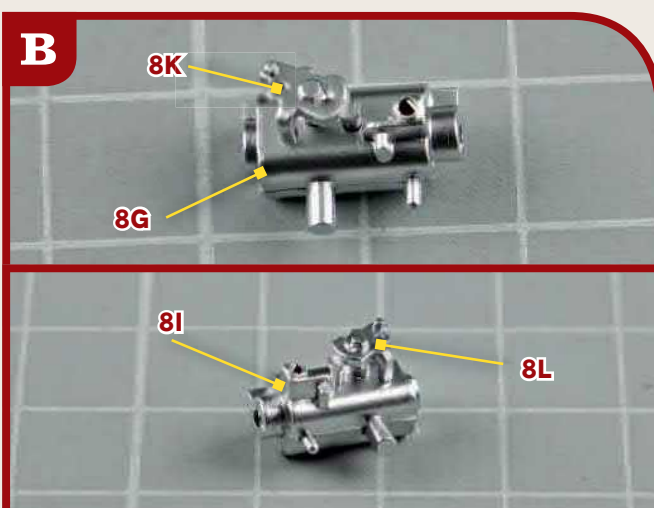
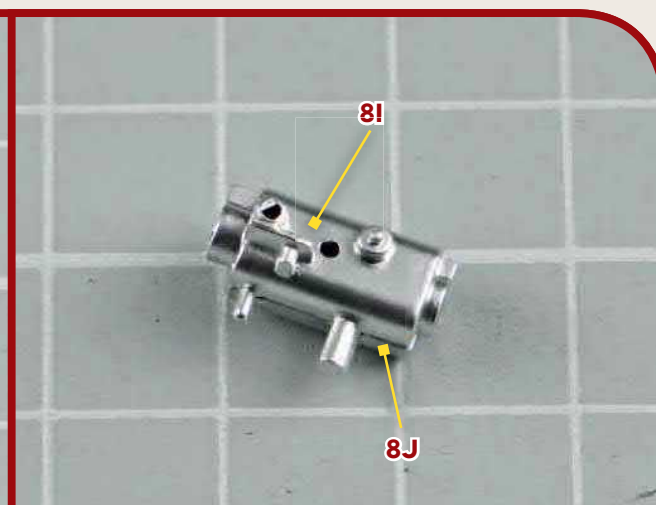
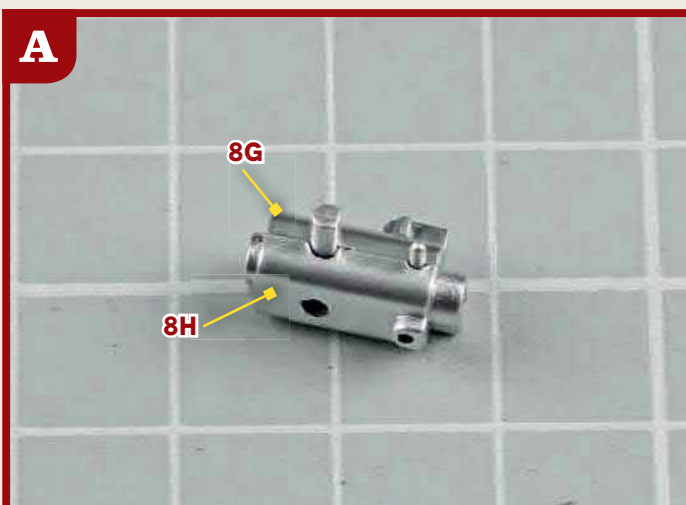


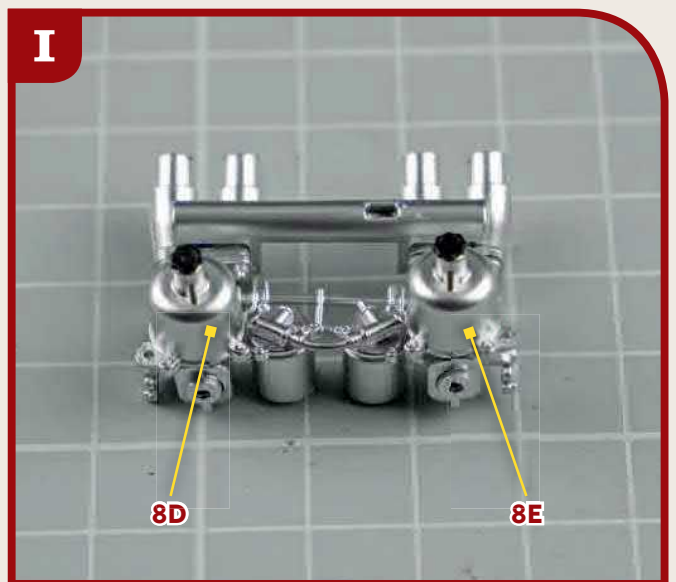
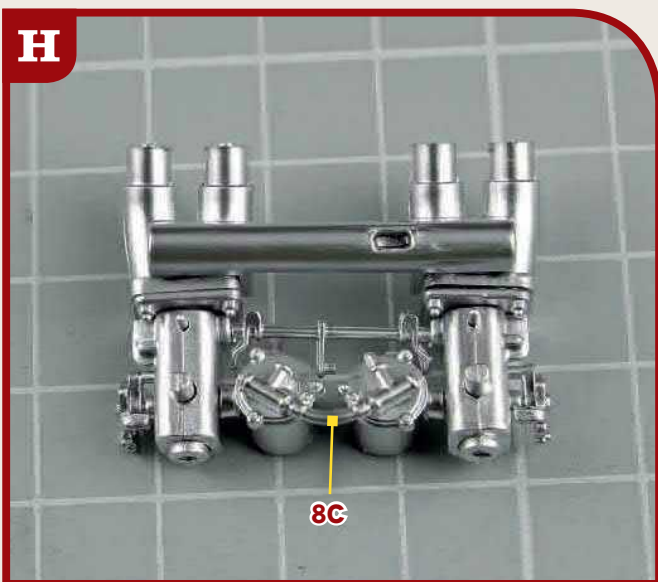
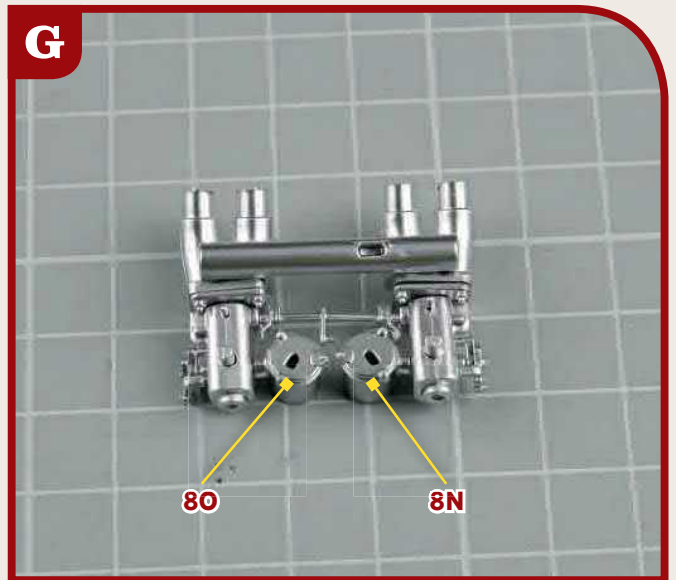
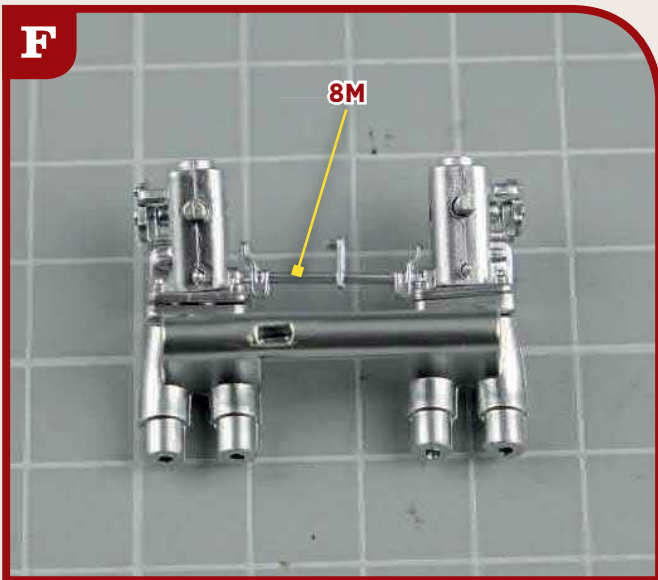
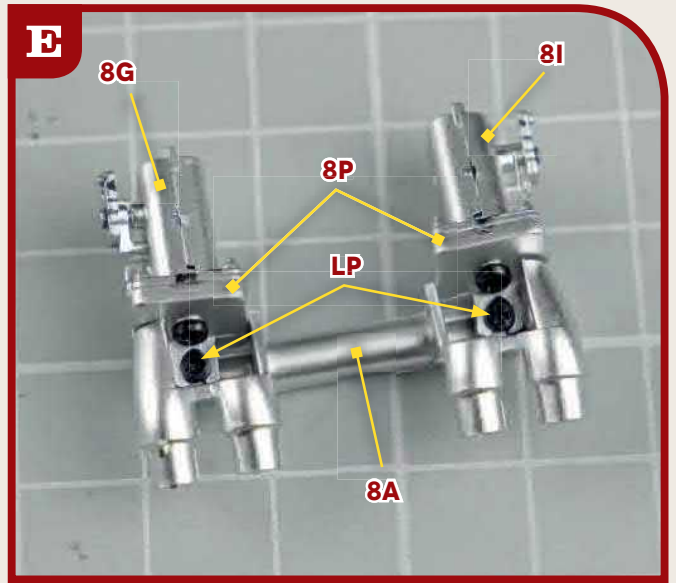
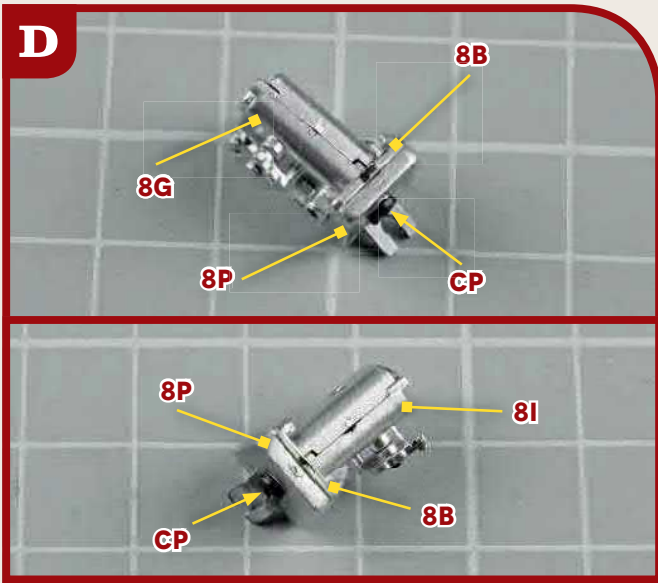


## 08 PARTS LIST



- 8A** Intake manifold
- 8B** Gaskets
- 8C** Hose connector
- 8D** Carburettor 1 (L)
- 8E** Carburettor 2 (R)
- 8F** Carburettor caps
- 8G** Float chamber 1 (L)
- 8H** Float chamber 2 (L)
- 8I** Float chamber 3 (R)
- 8J** Float chamber 4 (R)
- 8K** Switch 1 (L)
- 8L** Switch 2 (R)
- 8M** Linkage
- 8N** Oil can 1 (L)
- 8O** Oil can 2 (R)
- 8P** Brackets
- CP** 2 screws (1.7x4 mm)
- LP** 2 screws (1.5x3 mm)

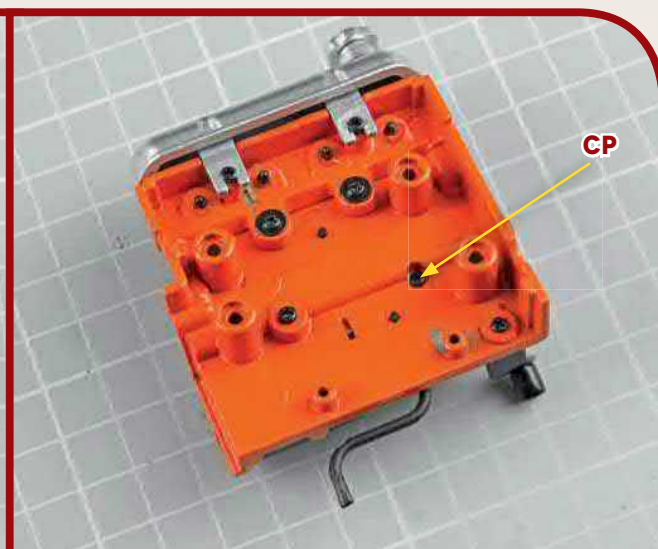
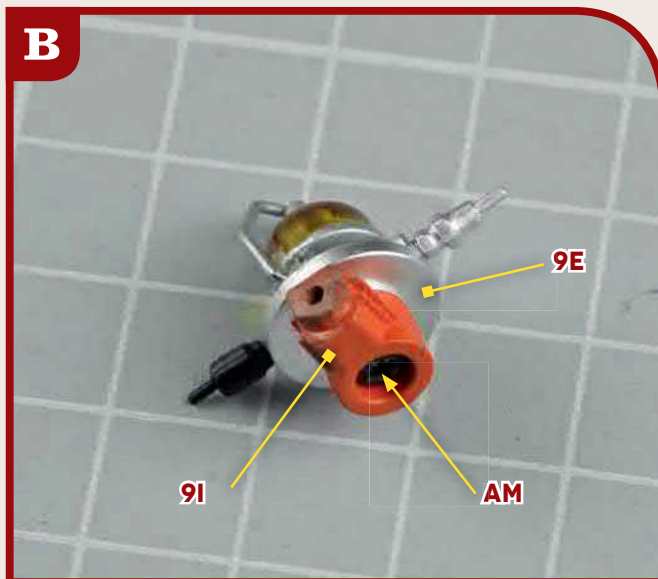
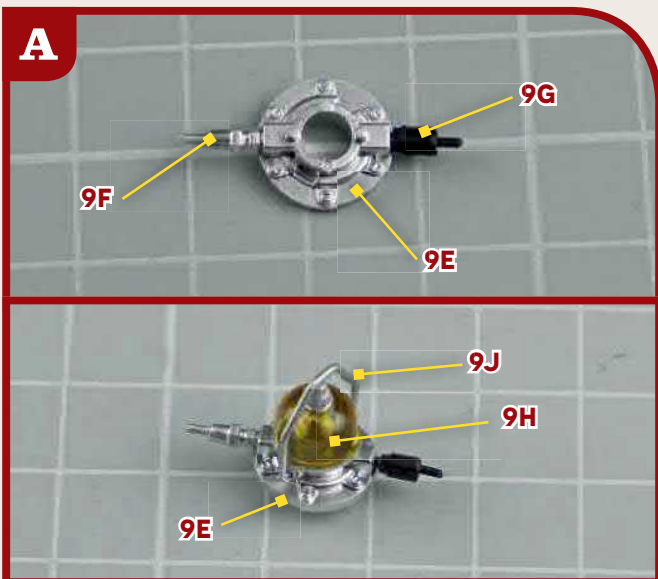


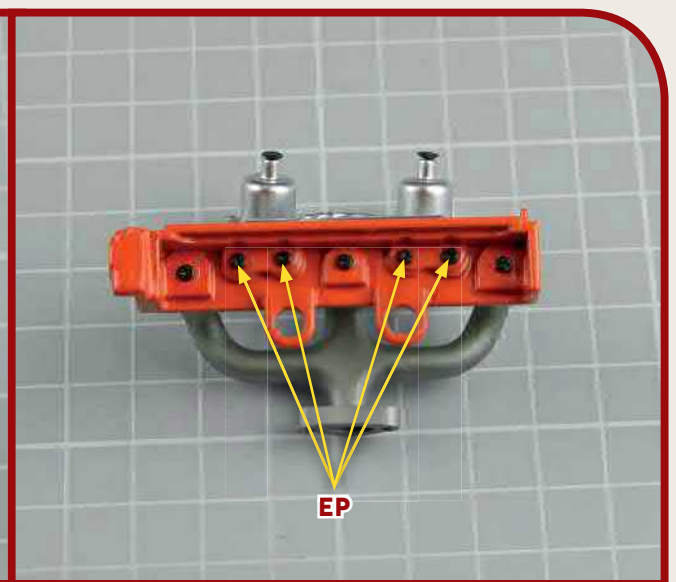
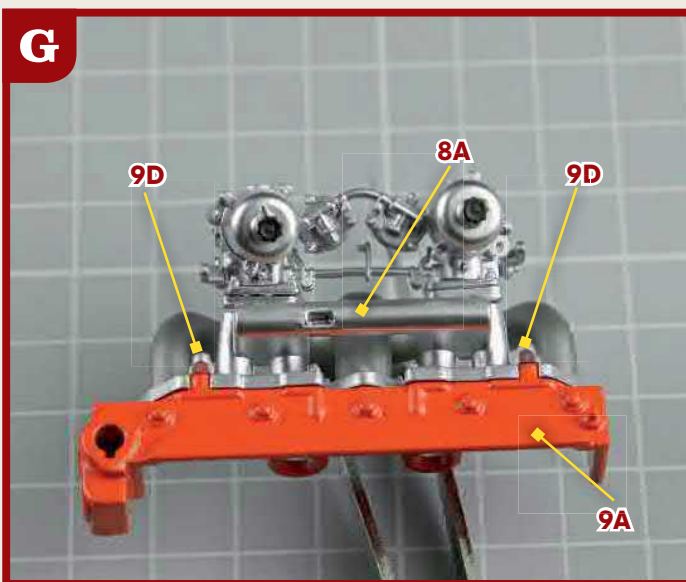
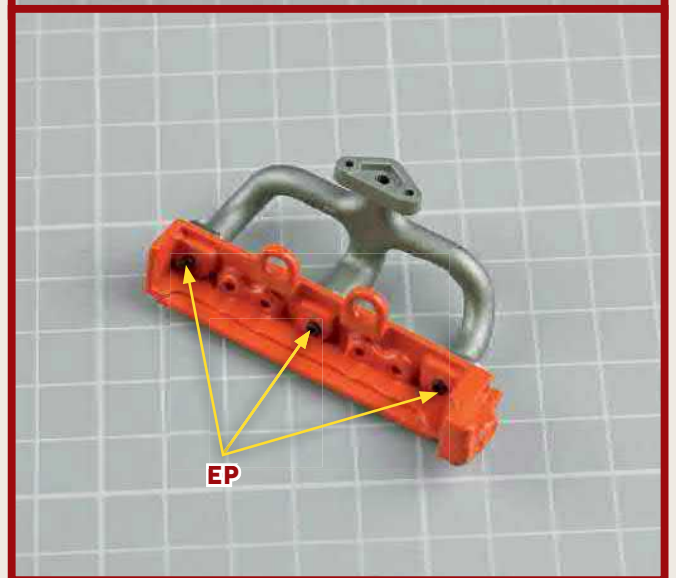
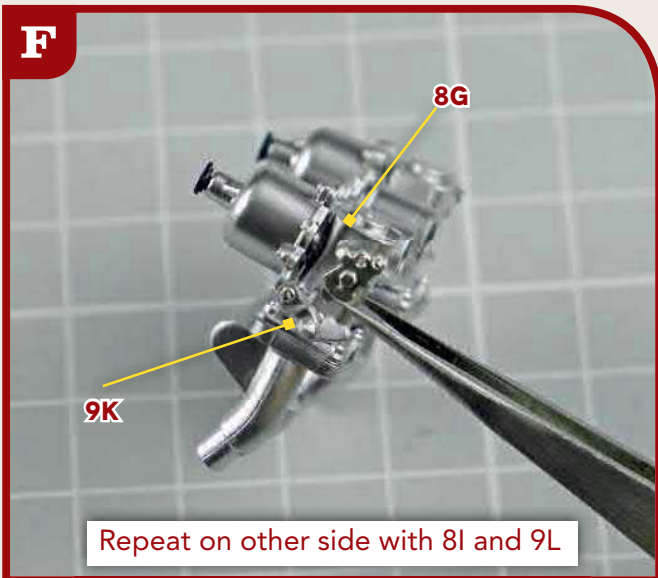
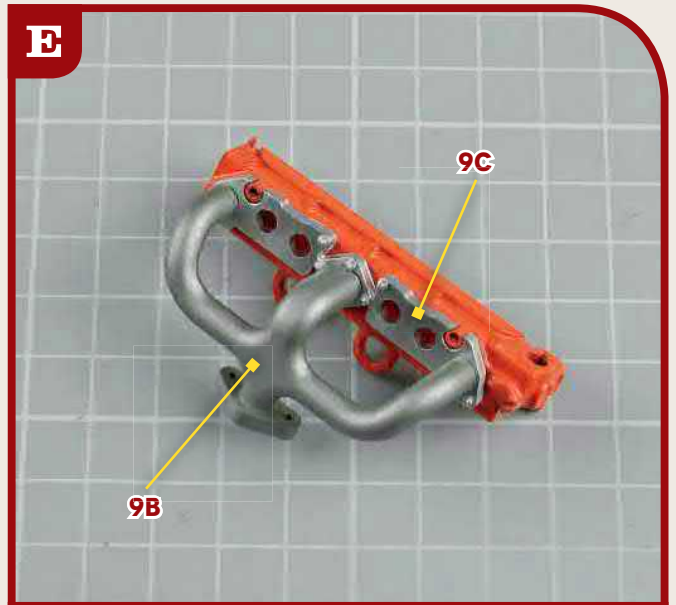
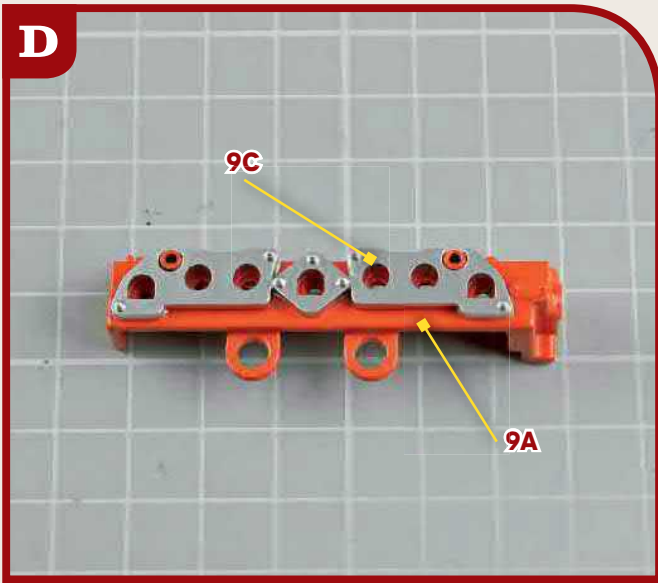


## 09 PARTS LIST



- 9A** Cylinders head (R)
- 9B** Exhaust manifold
- 9C** Gasket
- 9D** Brackets 1
- 9E** Fuel pump
- 9F** Connector 1
- 9G** Connector 2
- 9H** Filter
- 9I** Fuel pump bracket
- 9J** U-bolt
- 9K** Bracket 2
- 9L** Bracket 3
  
- AM** 1 screw (2x4 mm)
- CP** 1 screw (1.7x4 mm)
- EP** 7 screws (1.5x4 mm)



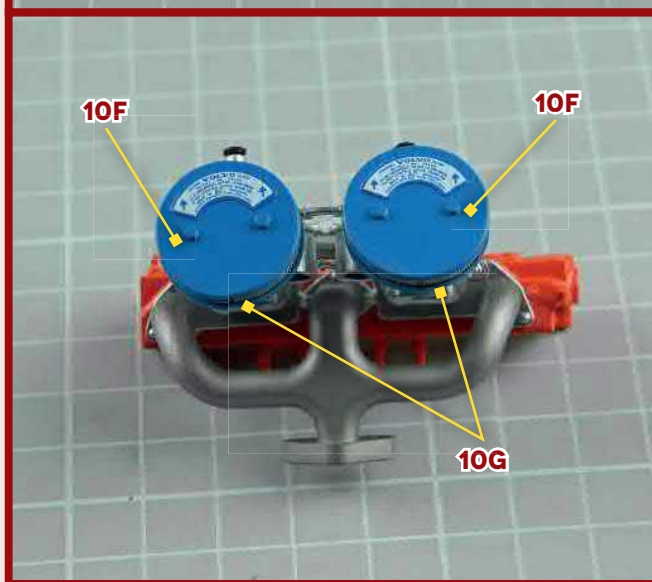
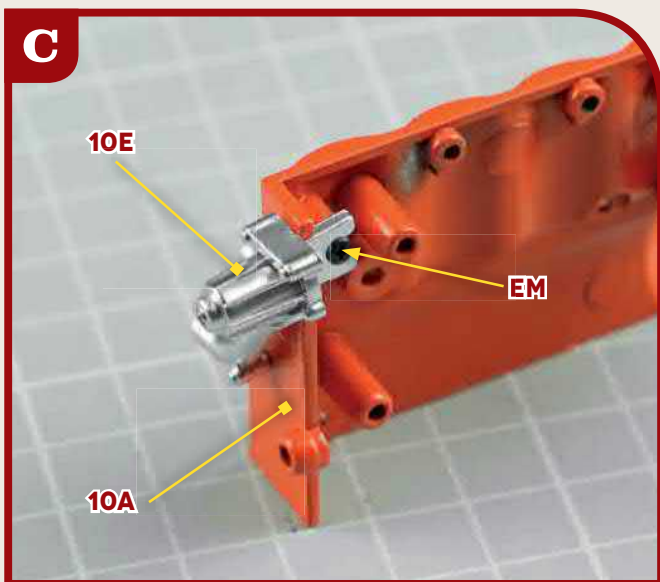
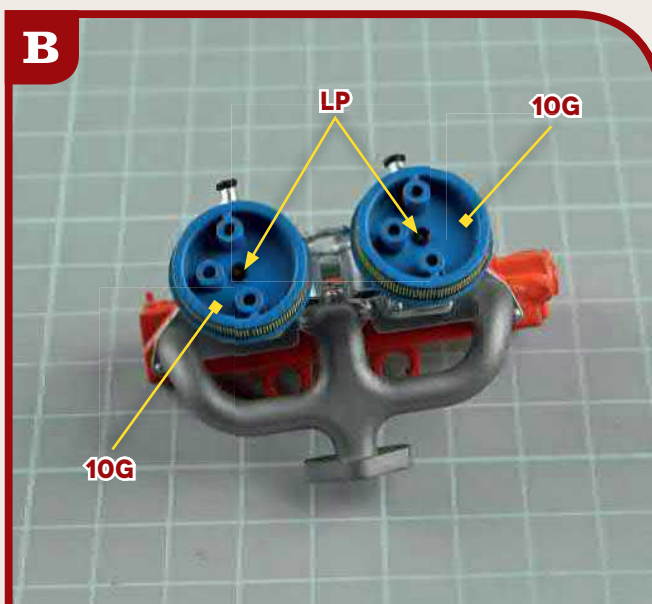
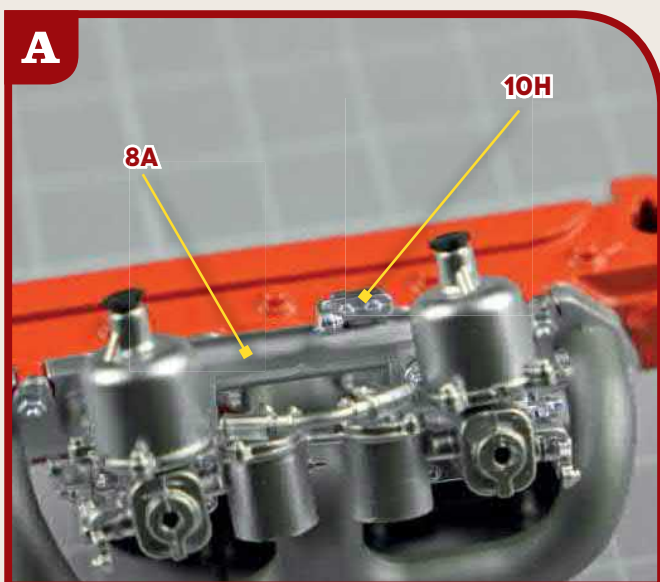


## 10 PARTS LIST

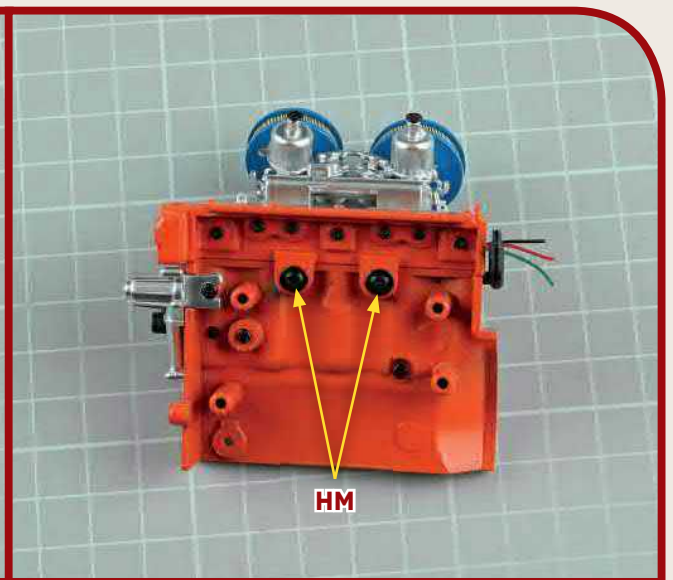
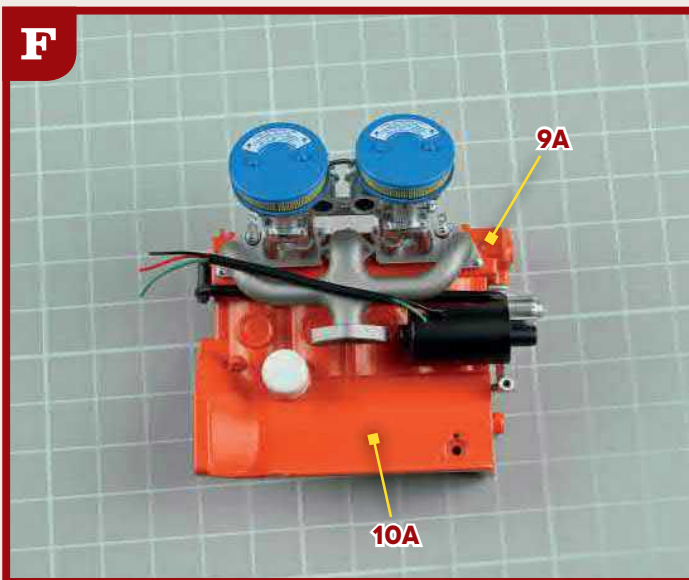
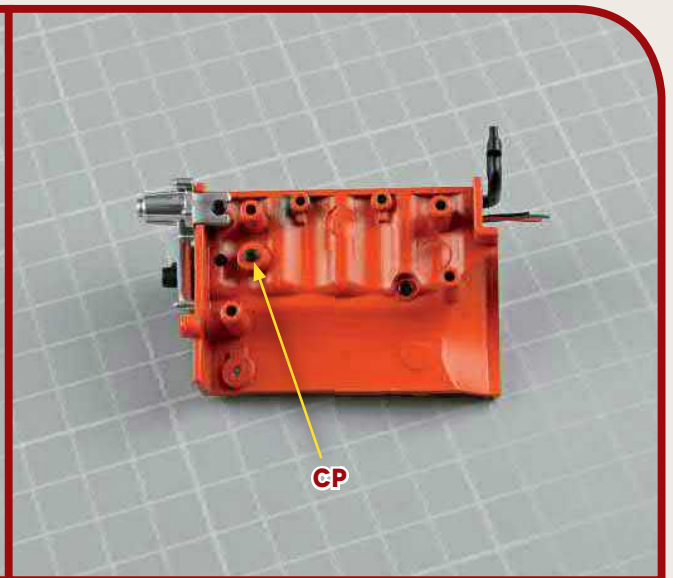
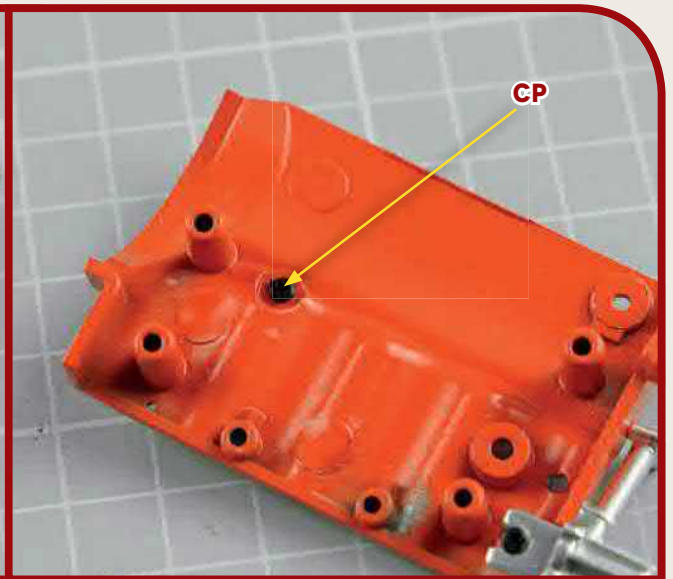
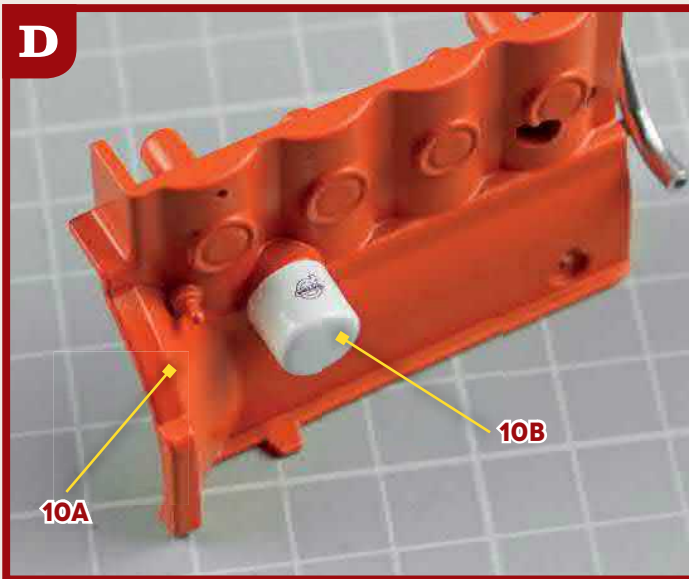


- 10A** Engine block (R)
- 10B** Oil filter
- 10C+10D** Generator
- 10D** Wire
- 10E** Thermostat
- 10F** Air filters caps
- 10G** Air filters bodies
- 10H** Bracket
- 10I** Pipe

- EM** 1 screw (1.4x4 mm)
- HM** 2 screws (2x3.5 mm)
- CP** 2 screws (1.7x4 mm)
- LP** 2 screws (1.5x3 mm)







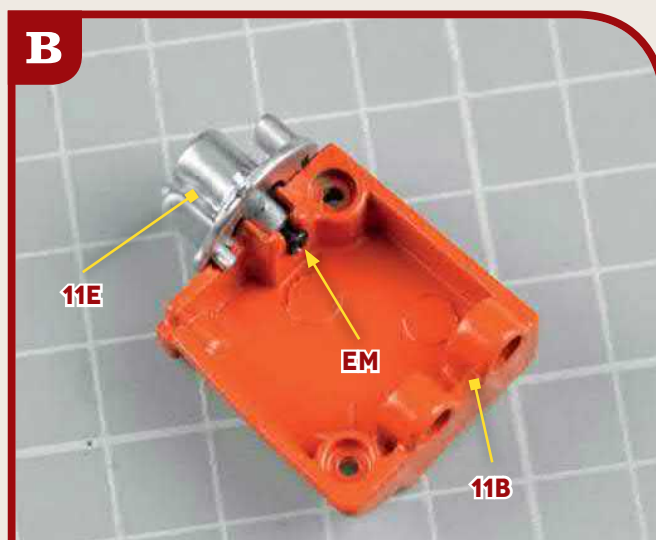
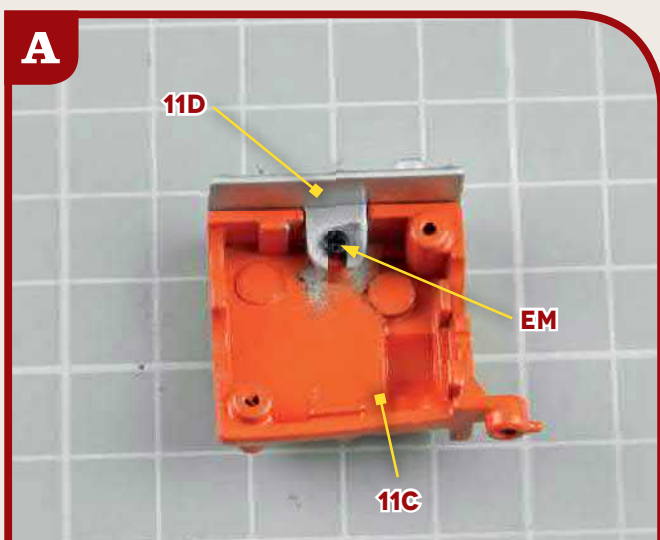
## 11 PARTS LIST

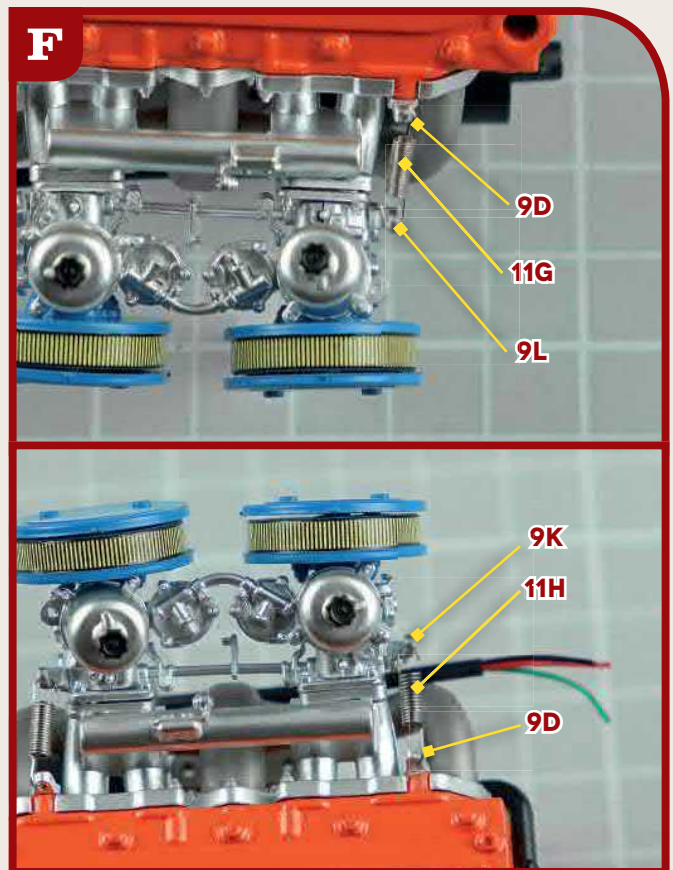
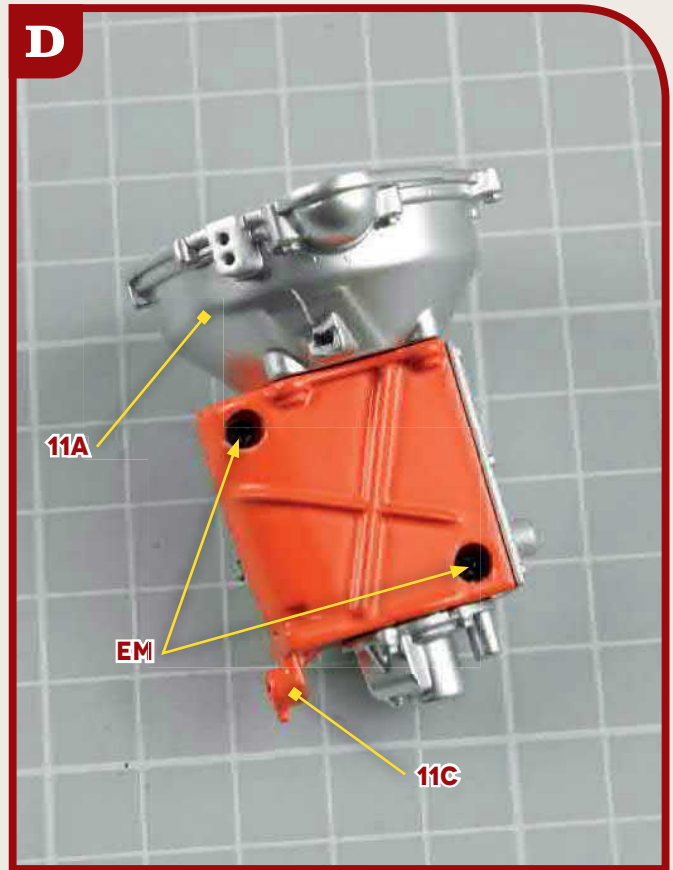
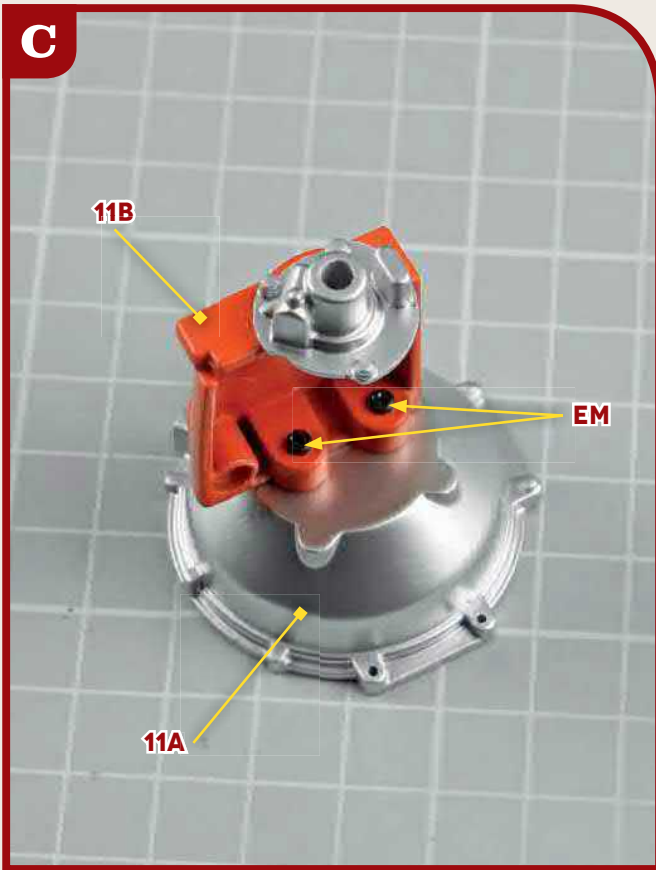


- 11A** Clutch housing
- 11B** Gearbox part 1 (L)
- 11C** Gearbox part 2 (R)
- 11D** Upper cover

- 11E** Rear cover
- 11F** Linkage
- 11G** Spring 1
- 11H** Spring 2

- EM** 6 screws (1.7x4 mm)



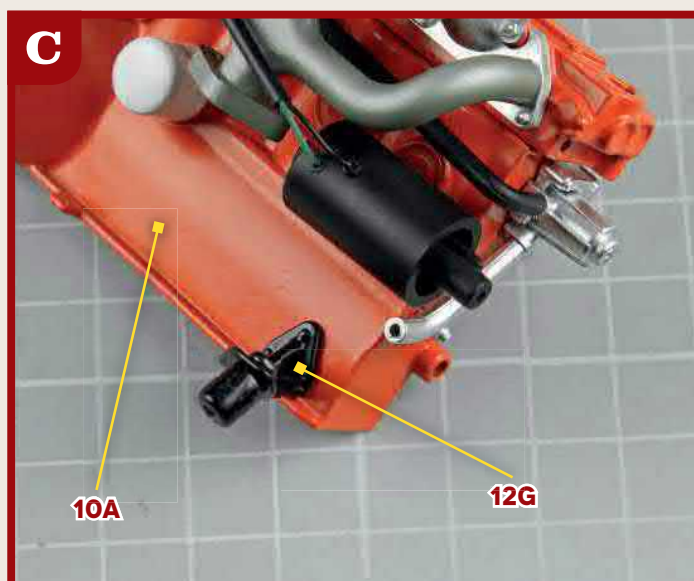
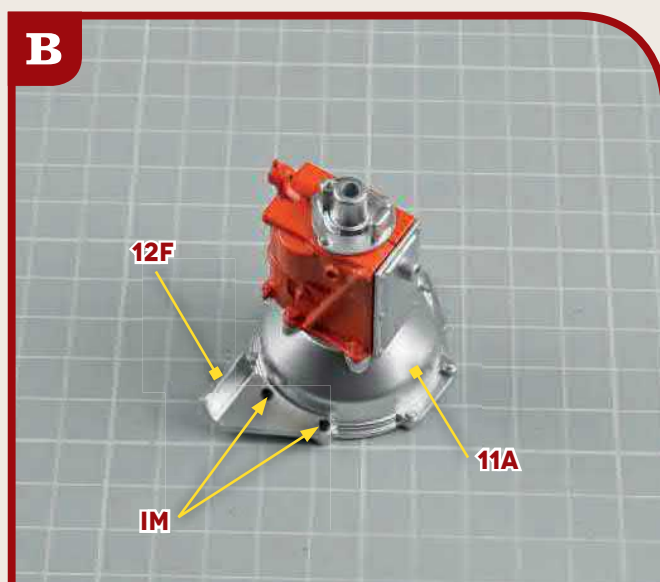
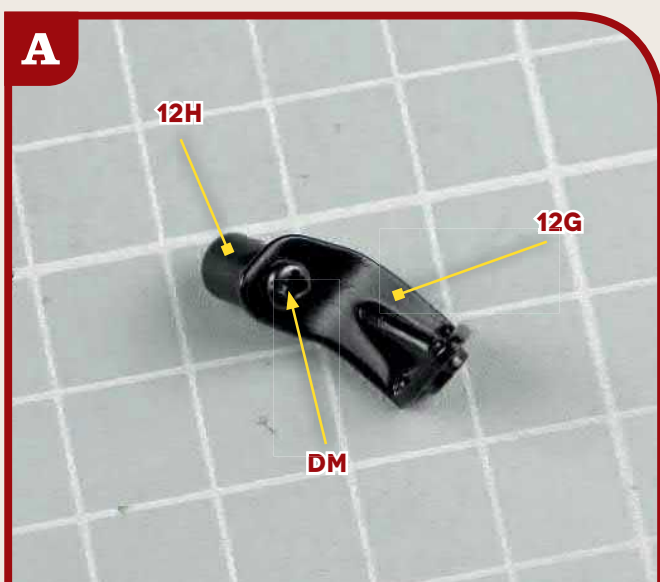


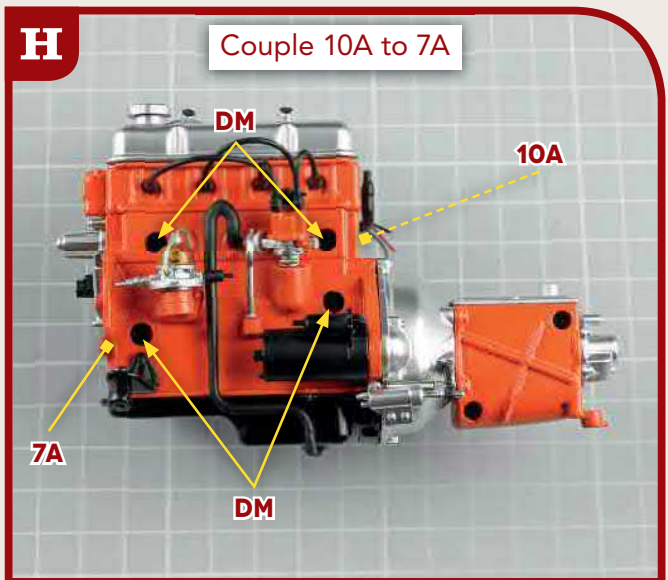
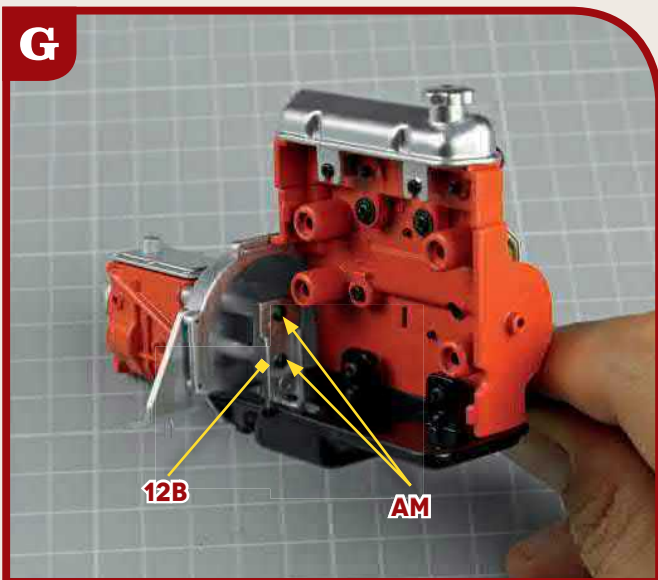
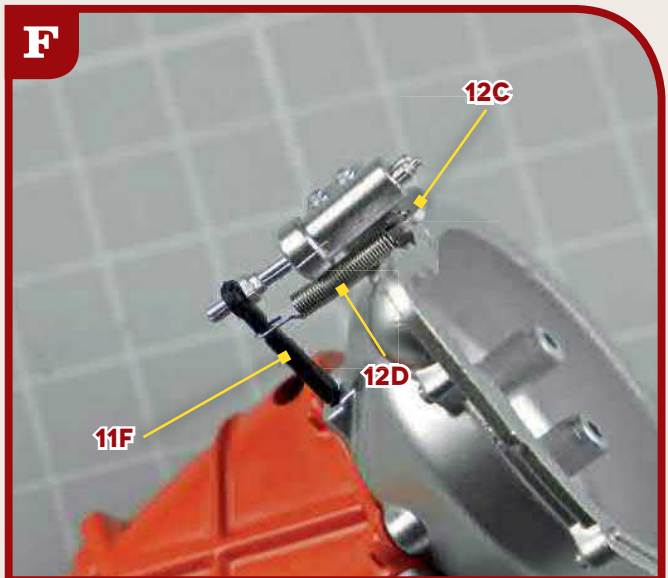
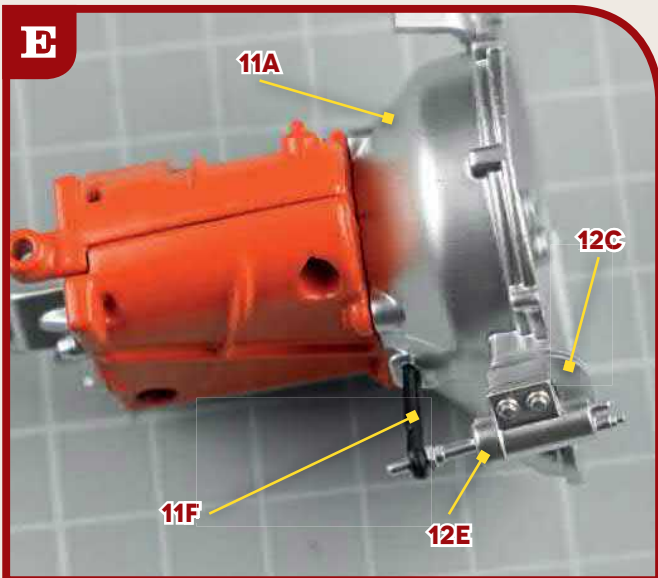
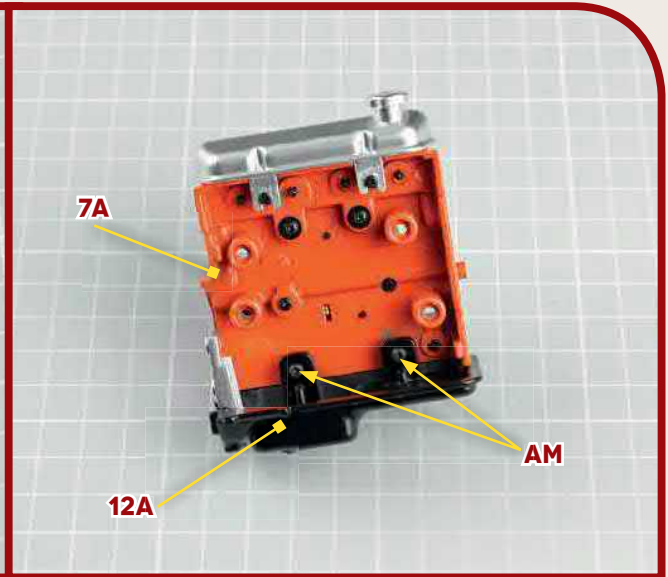
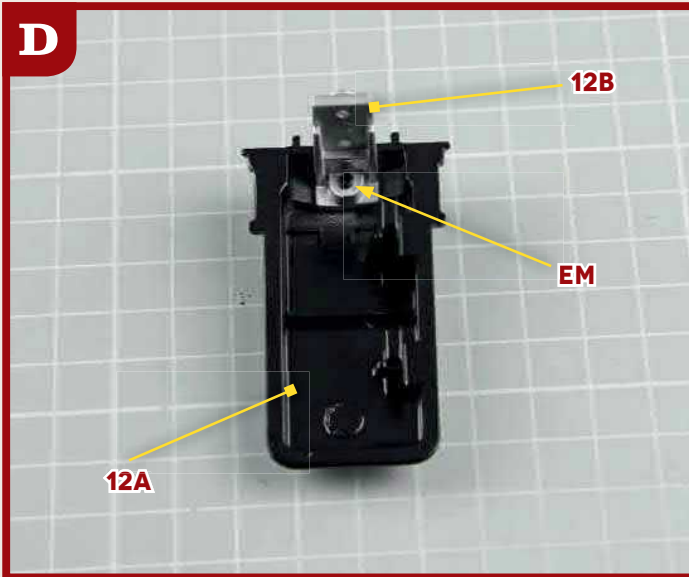
## 12 PARTS LIST



- 12A** Oil pan
- 12B** Oil pan mount
- 12C** Bracket 1
- 12D** Spring
- 12E** Detail
- 12F** Bracket 2
- 12G** Bracket 3
- 12H** Buffer

- AM** 4 screws (2x4 mm)
- DM** 5 screws (2.3x4 mm)
- EM** 2 screws (1.7x4 mm)
- IM** 2 screws (1.2x4 mm)





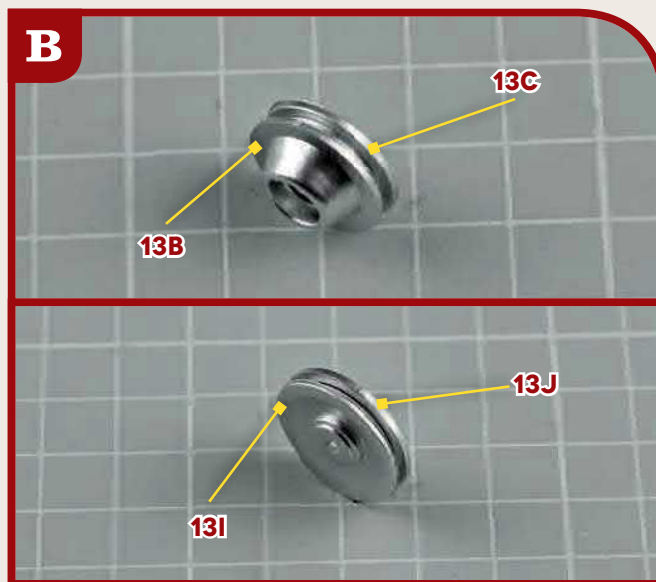
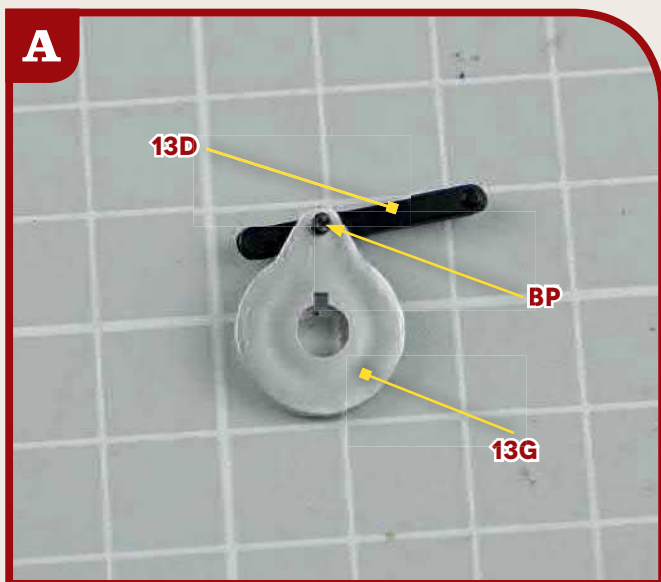
## 13 PARTS LIST

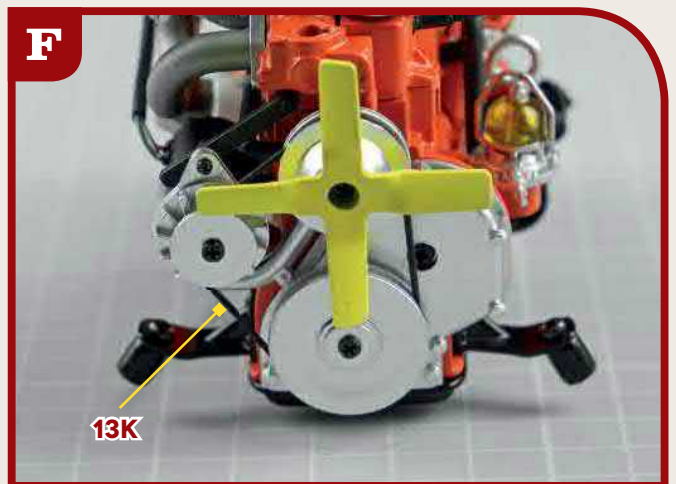
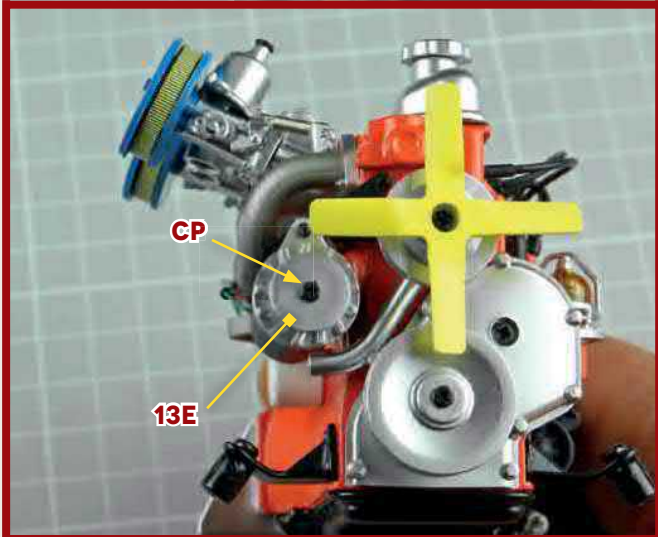
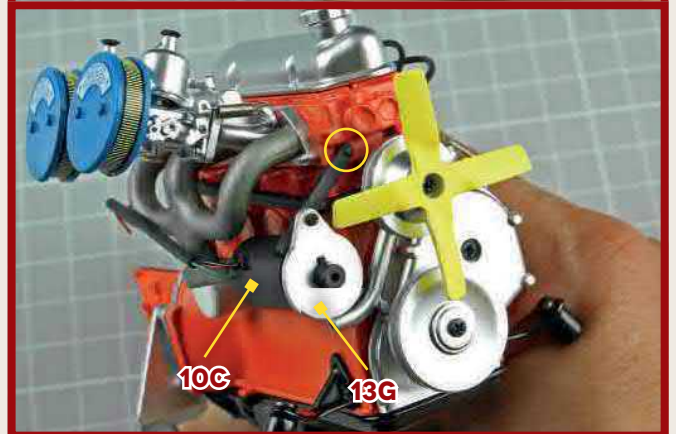
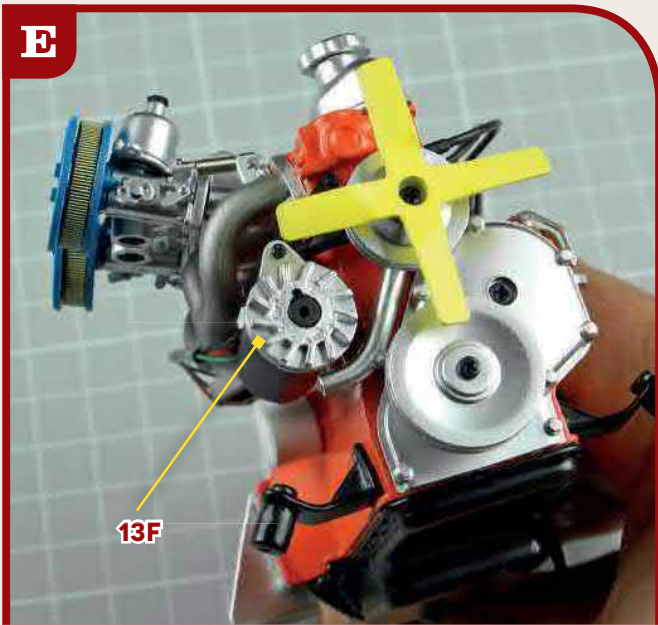
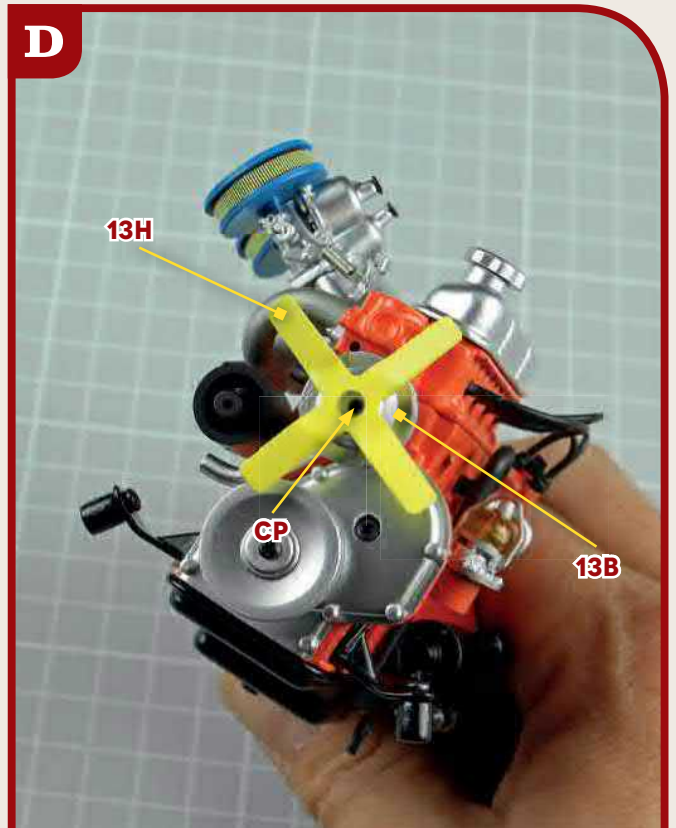
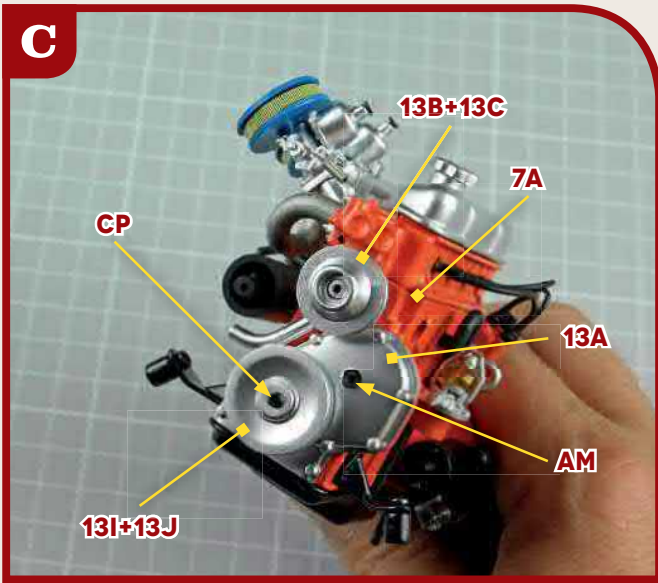


**13A** Timing belt box  
**13B** Pulley 1  
**13C** Pulley 2  
**13D** Bracket  
**13E** Pulley 3

**13F** Pulley 4  
**13G** Generator coil  
**13H** Fan  
**13I** Pulley 5  
**13J** Pulley 6

**13K** Belt  
**AM** 1 screw (2x4 mm)  
**BP** 1 screw (1.2x4 mm)  
**CP** 3 screws (1.7x4 mm)





## 14 PARTS LIST



14B



14E



14D



CM



- 14A Tyre
- 14B Outer rim
- 14C Inner rim
- 14D Rim cover
- 14E Hubcap
- CM 4 screws (1.5x4 mm)

A



B



CM

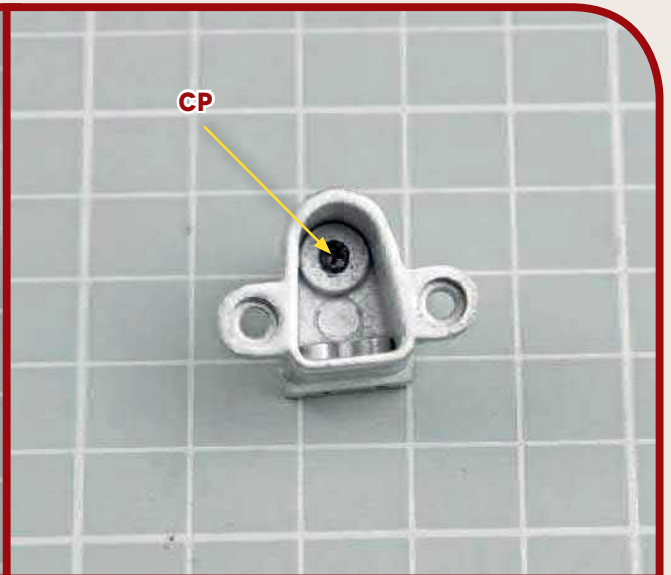
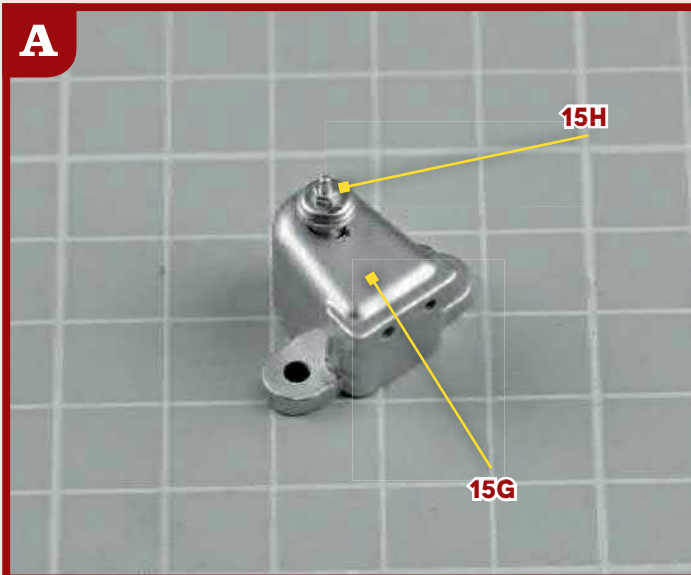




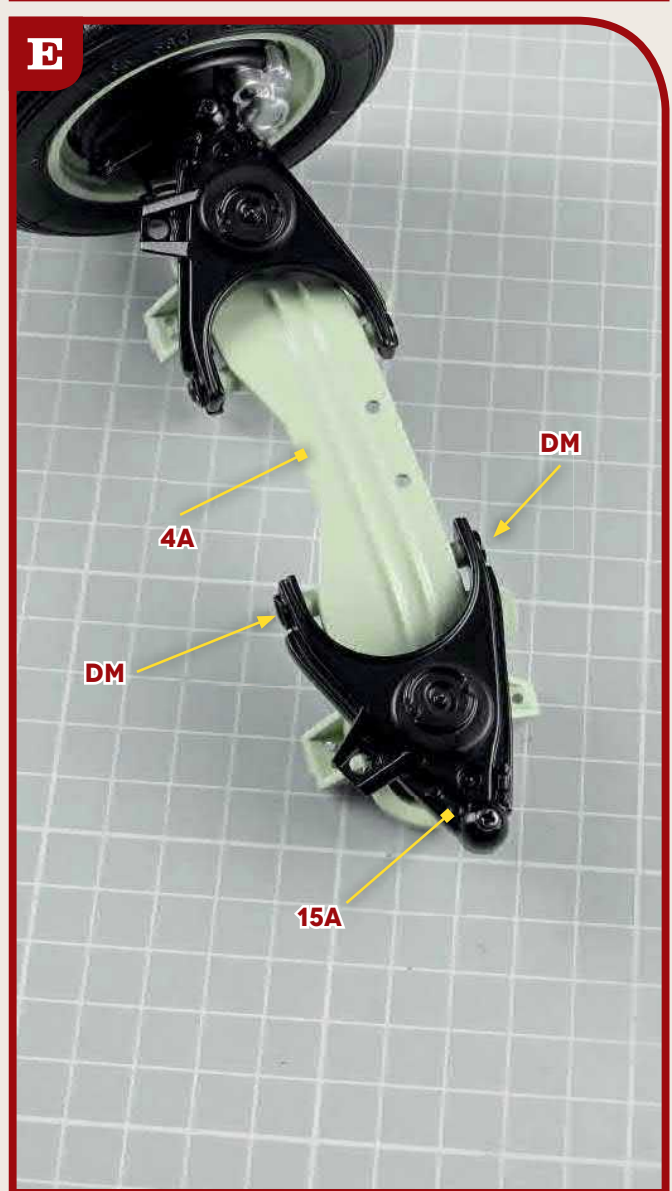
**15 PARTS LIST**

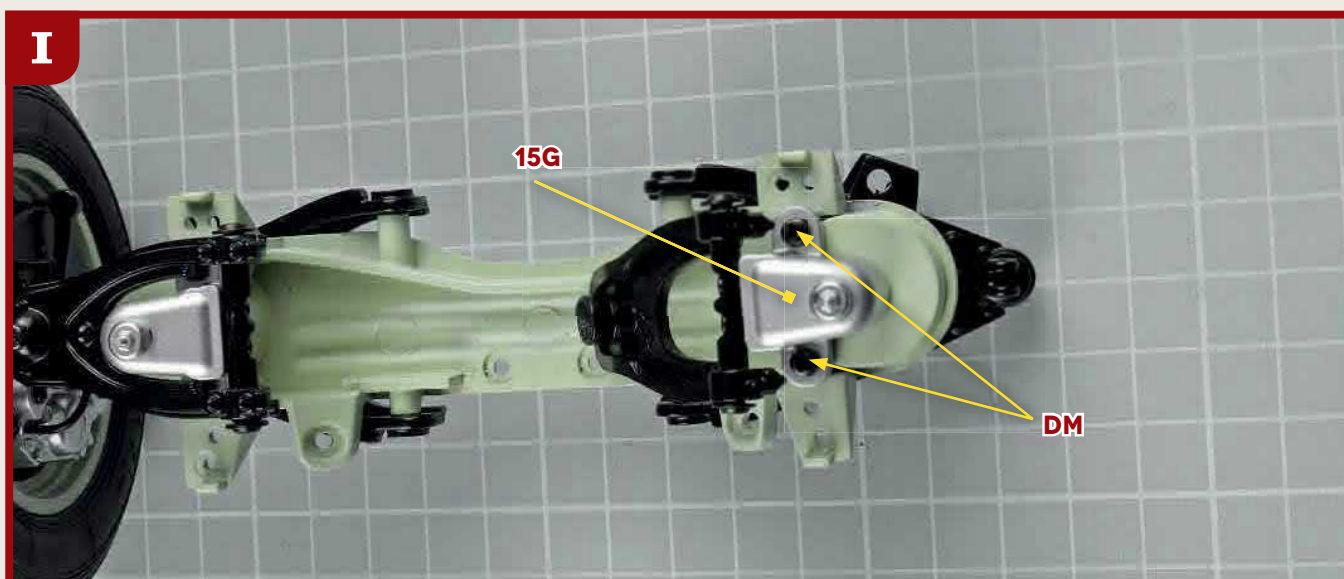
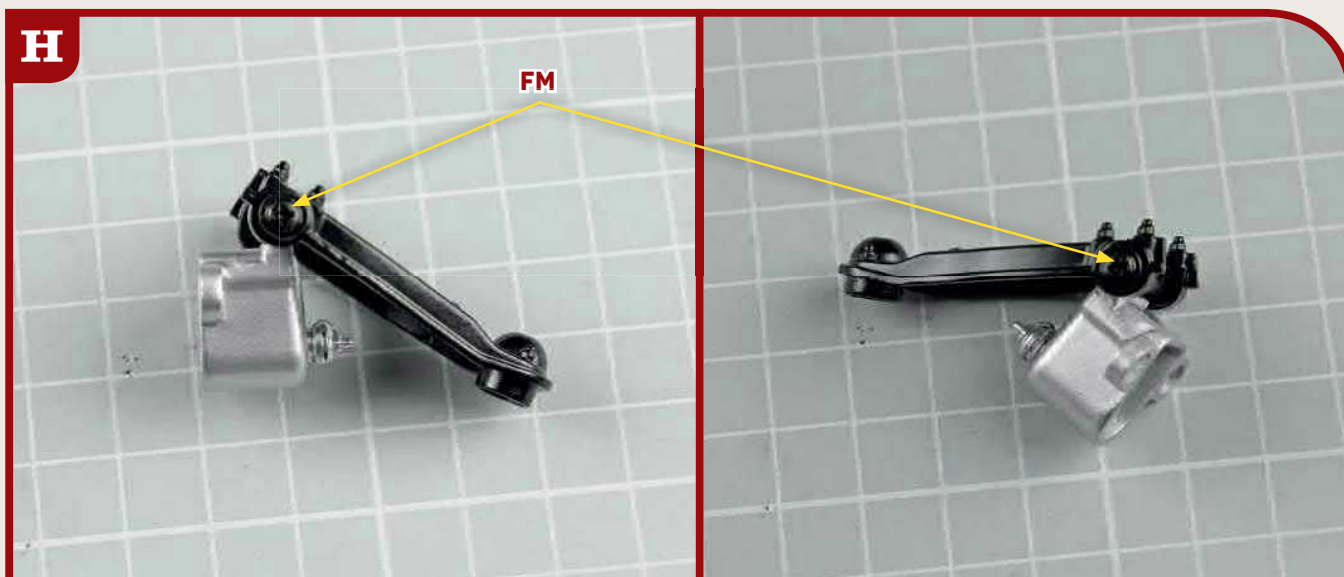
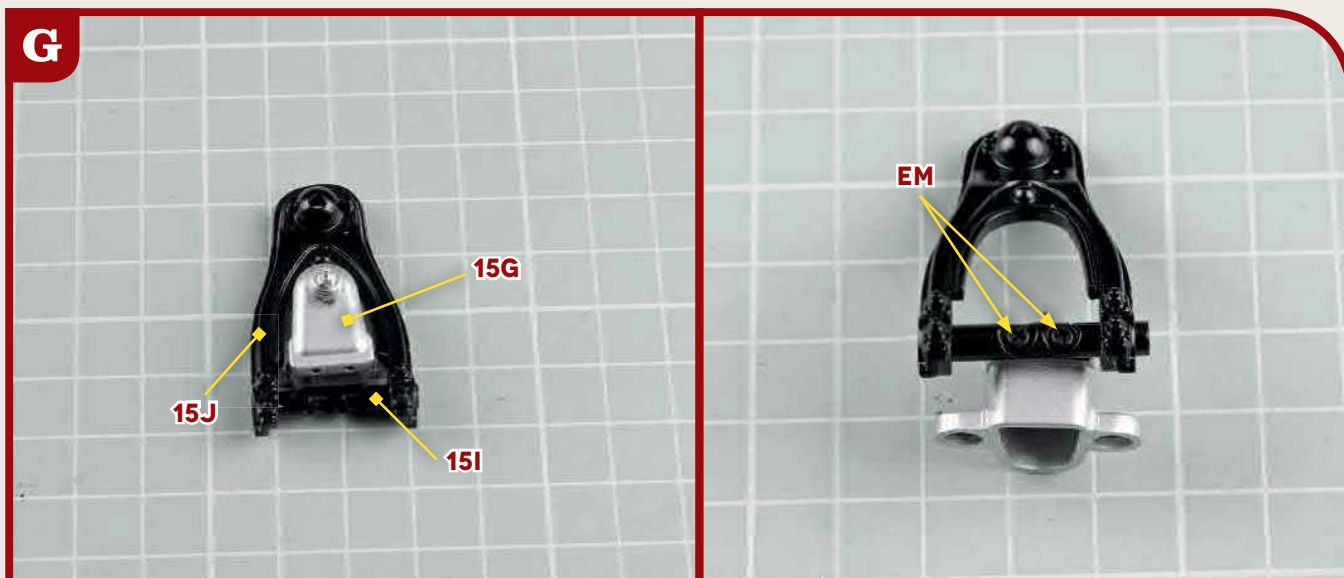


- 15A** Lower right arm
- 15B** Spring bracket
- 15C** Rod
- 15D** Spring
- 15E** Stopper
- 15F** Axle lower stub
- 15G** Bracket
- 15H** Detail
- 15I** Suspension bracket
- 15J** Upper right arm
  
- DM** 5 screws (2.3x4 mm)
- EM** 5 screws (1.7x4 mm)
- FM** 3 screws (2.3x4mm)
- CP** 1 screw (1.7x4mm)

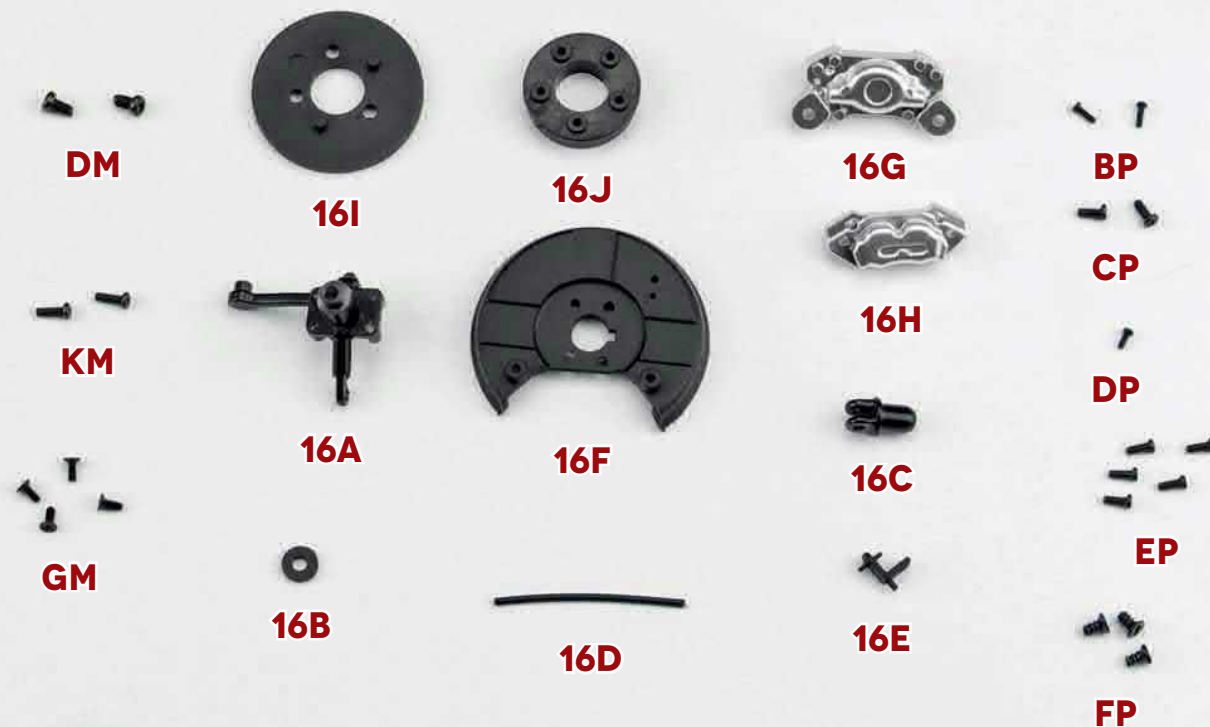


# STEP BY STEP 15

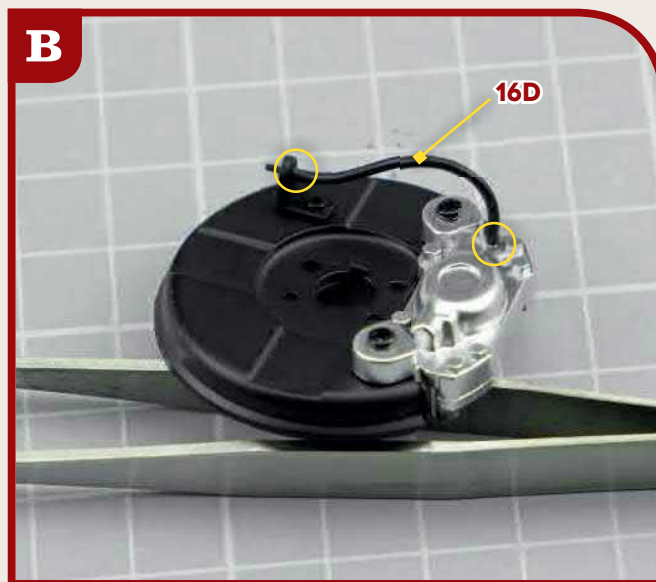
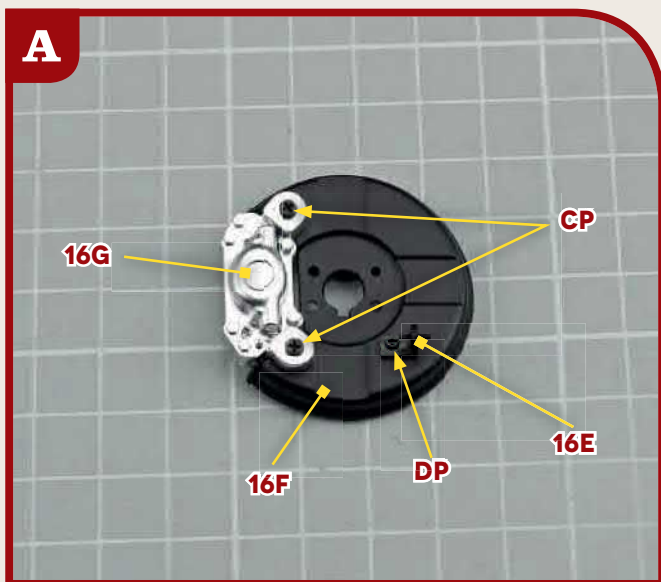


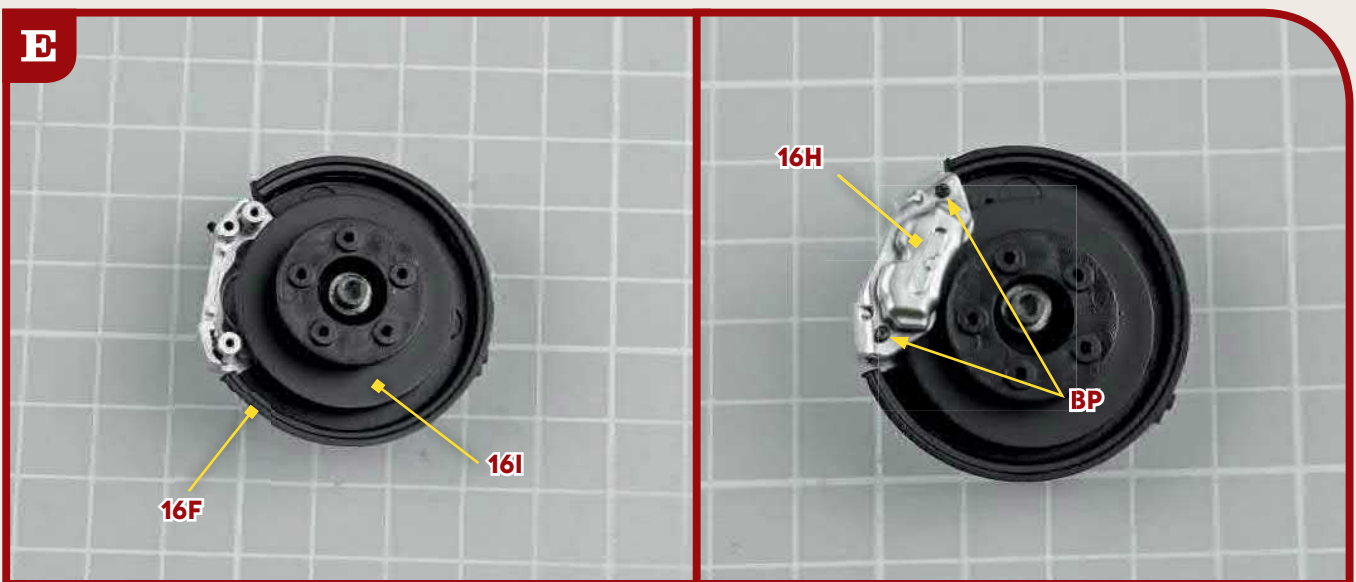
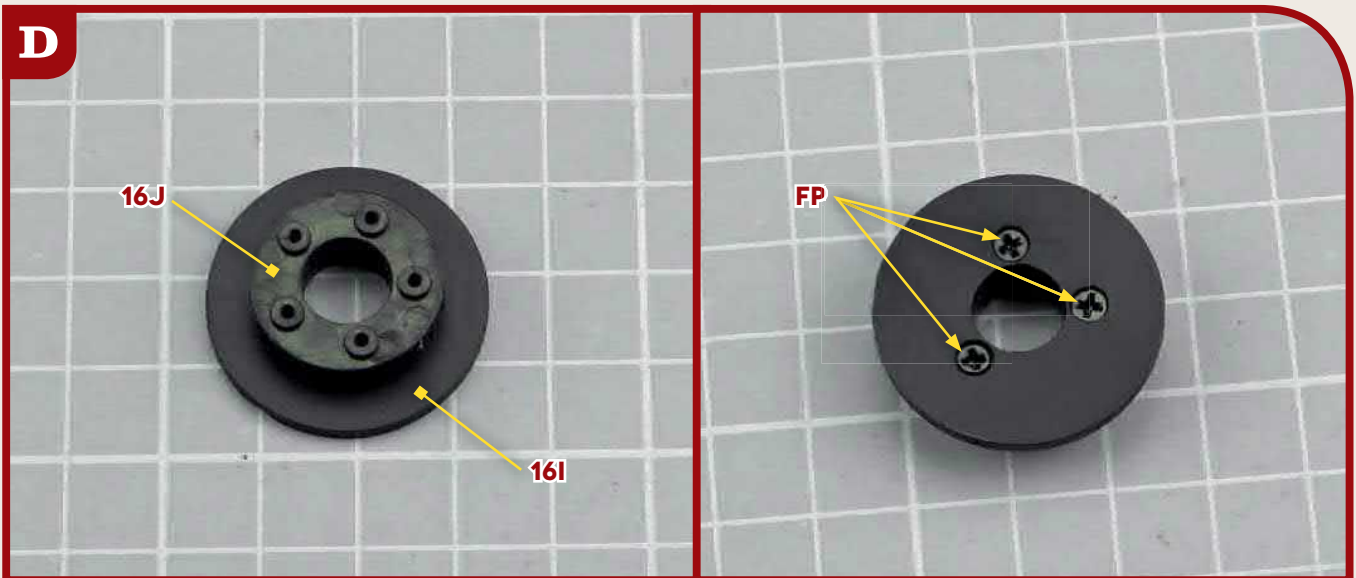
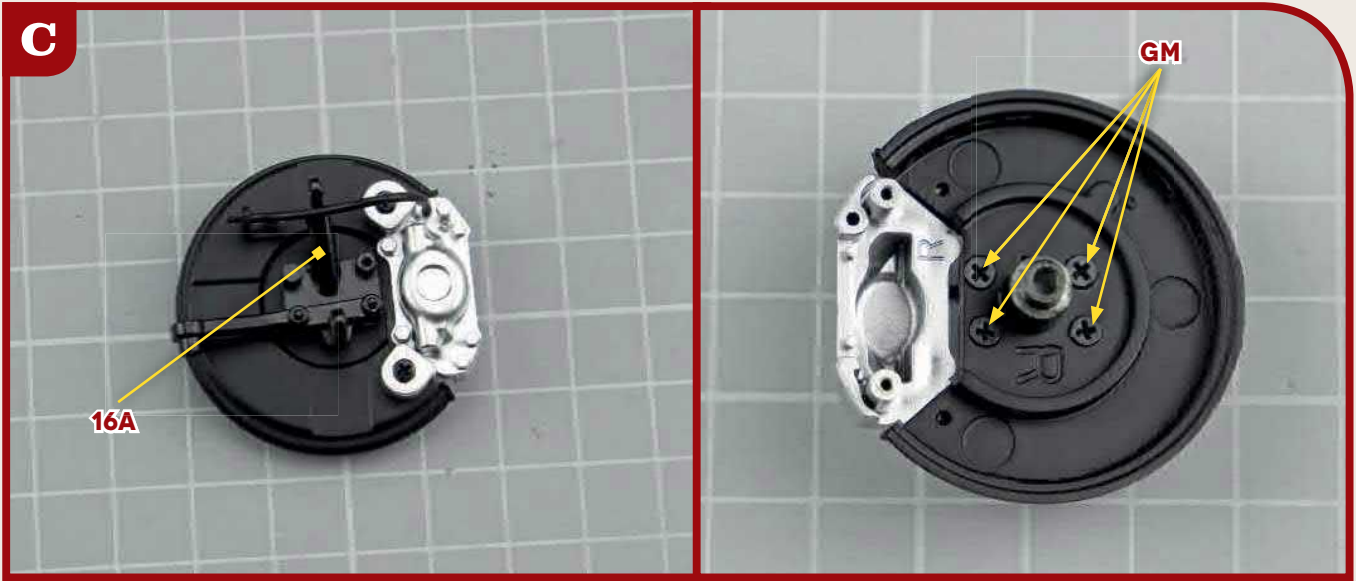


## 16 PARTS LIST

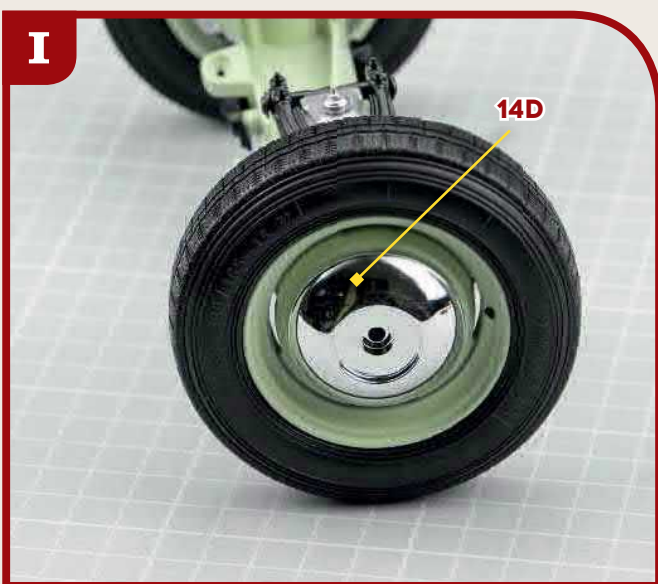
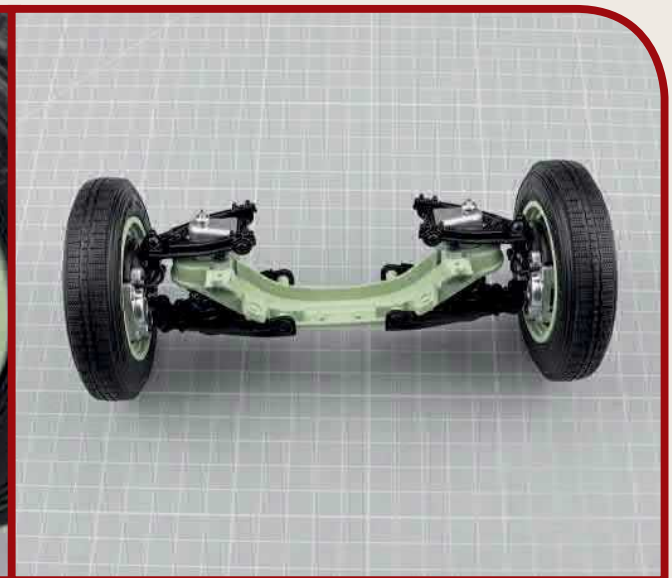
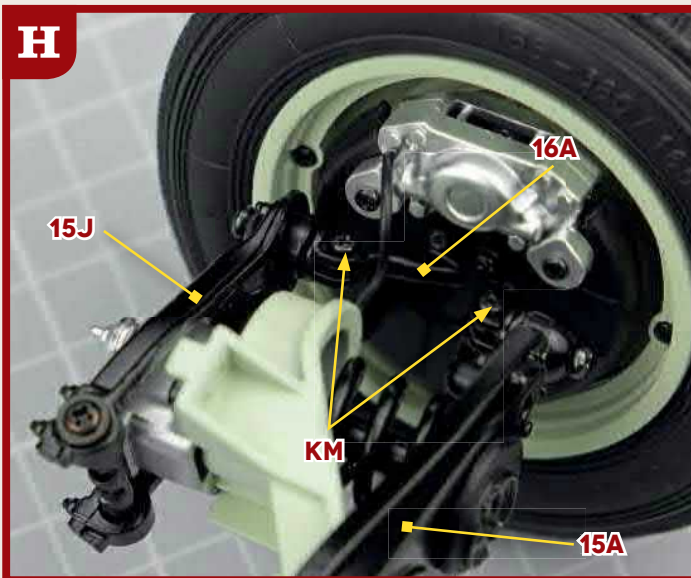
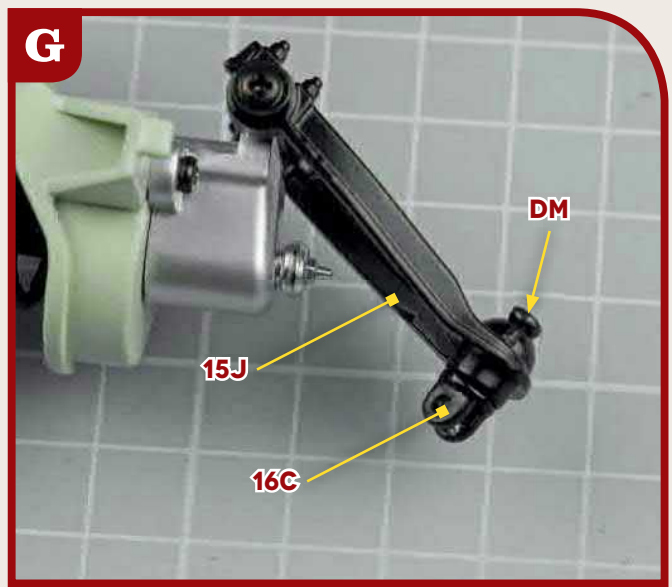
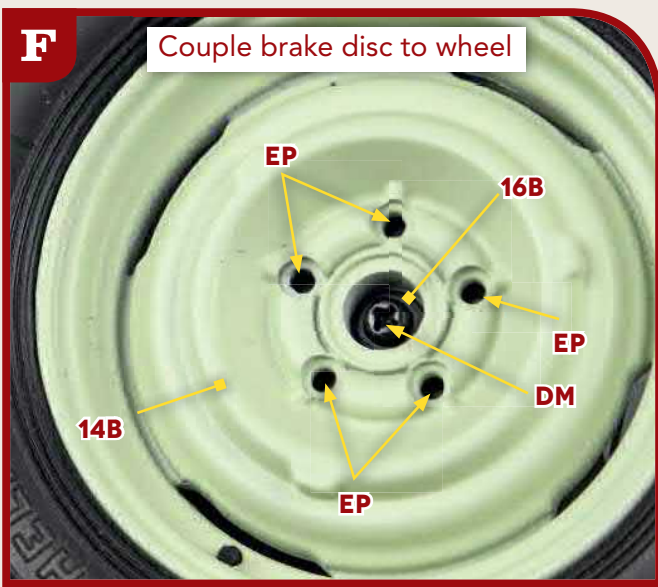


- |                                  |                                |                               |
|----------------------------------|--------------------------------|-------------------------------|
| <b>16A</b> Right front axle stub | <b>16H</b> Calliper outer part | <b>BP</b> 2 screws (1.3x4 mm) |
| <b>16B</b> Washer                | <b>16I</b> Brake disc          | <b>CP</b> 2 screws (1.7x4 mm) |
| <b>16C</b> Suspension lower axle | <b>16J</b> Wheel mount         | <b>DP</b> 1 screw (1.2x3 mm)  |
| <b>16D</b> Brake hose            | <b>DM</b> 2 screws (2.3x4 mm)  | <b>EP</b> 5 screws (1.5x4 mm) |
| <b>16E</b> Hose bracket          | <b>KM</b> 2 screws (1.7x5 mm)  | <b>FP</b> 3 screws (2.3x4 mm) |
| <b>16F</b> Brake disc case       | <b>GM</b> 4 screws (1.6x4 mm)  |                               |
| <b>16G</b> Calliper inner part   |                                |                               |

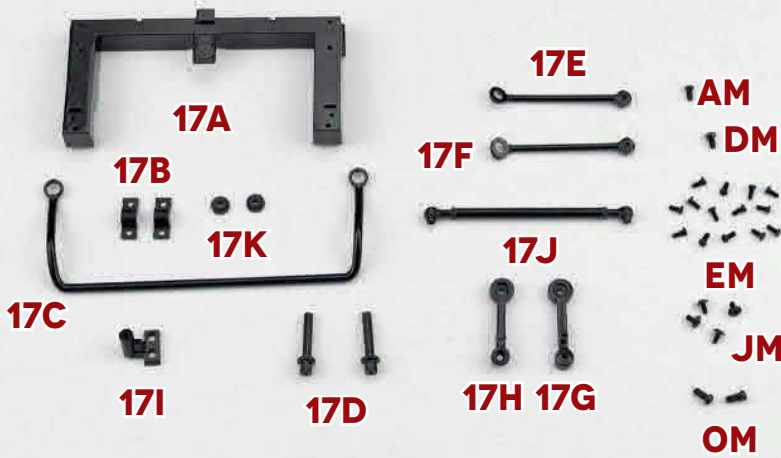




# STEP BY STEP 16

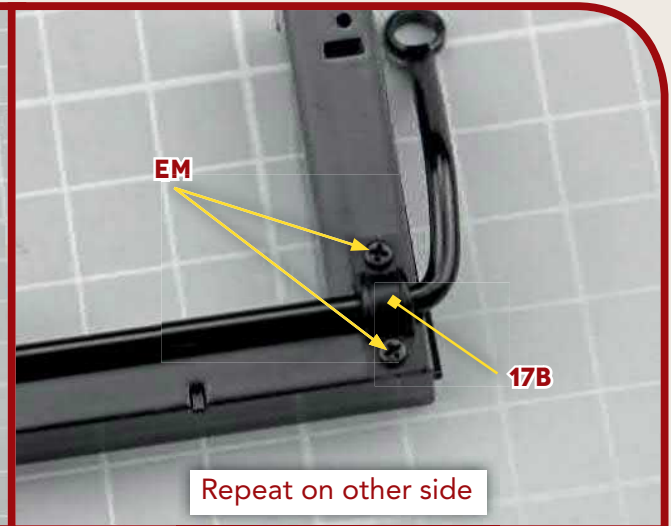
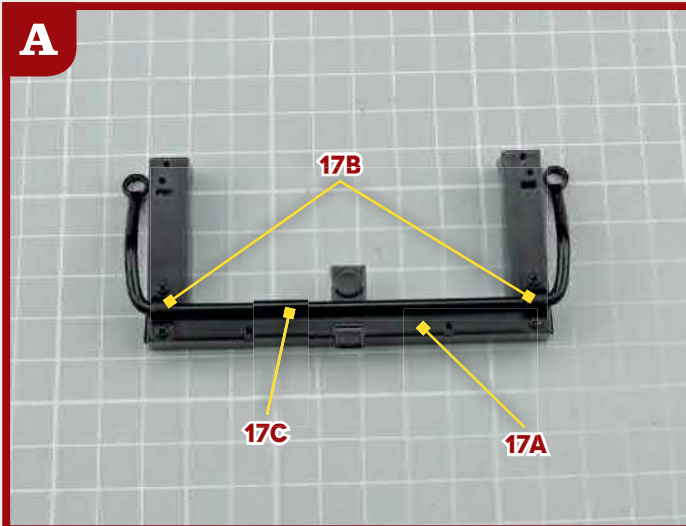


**17 PARTS LIST**

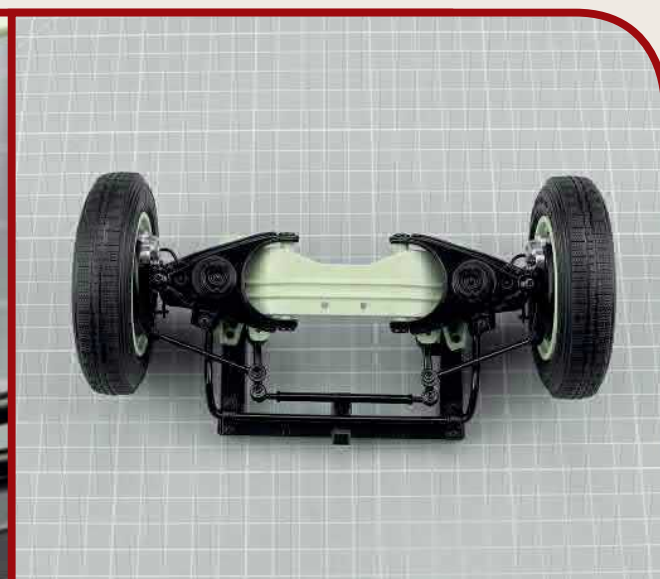
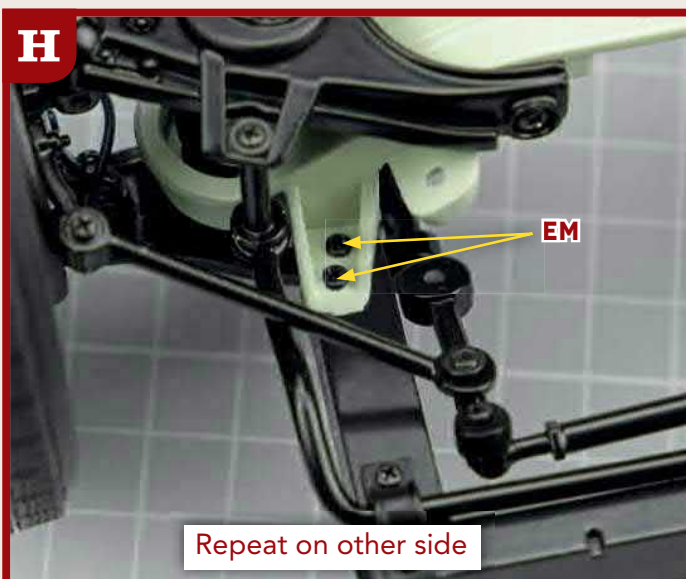
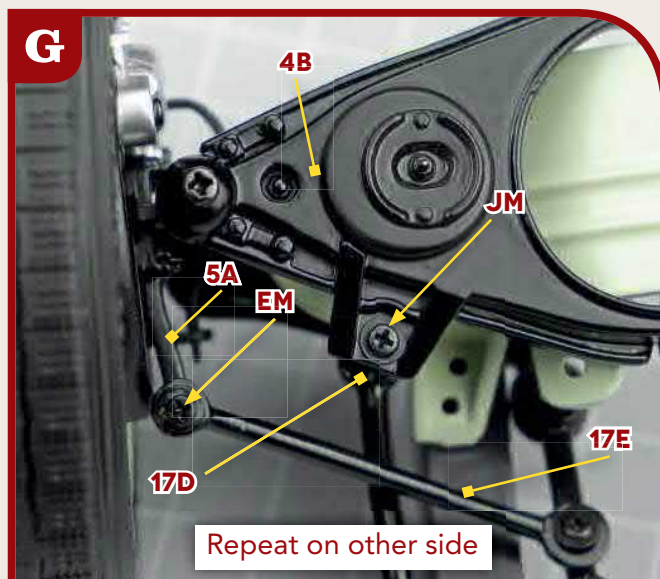
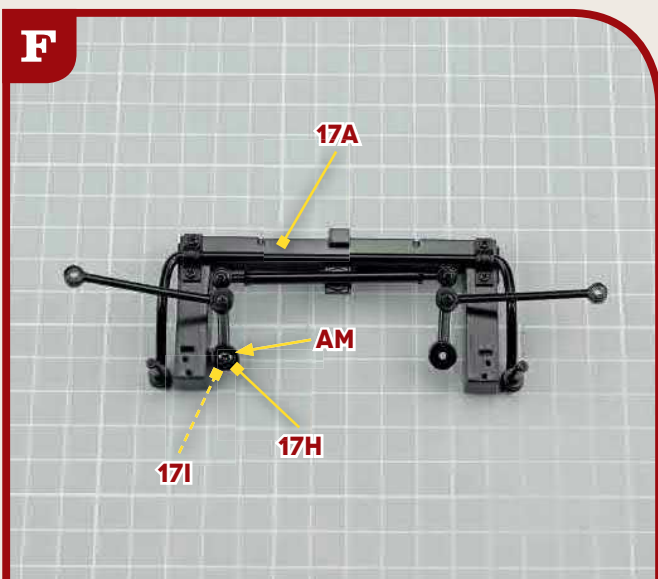
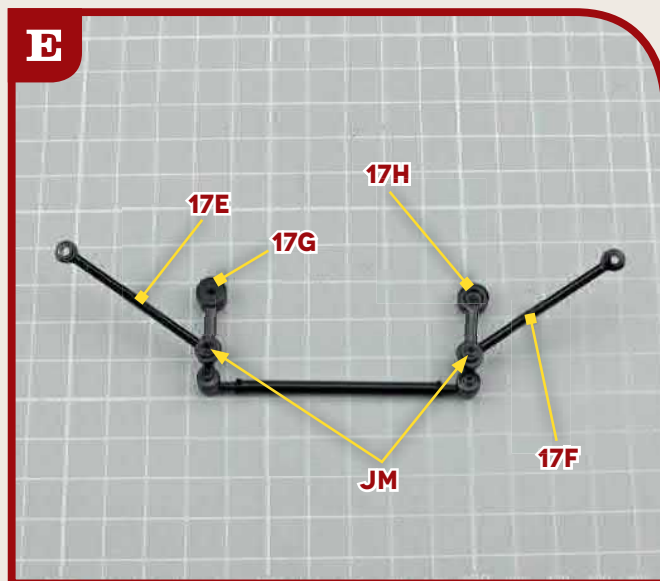
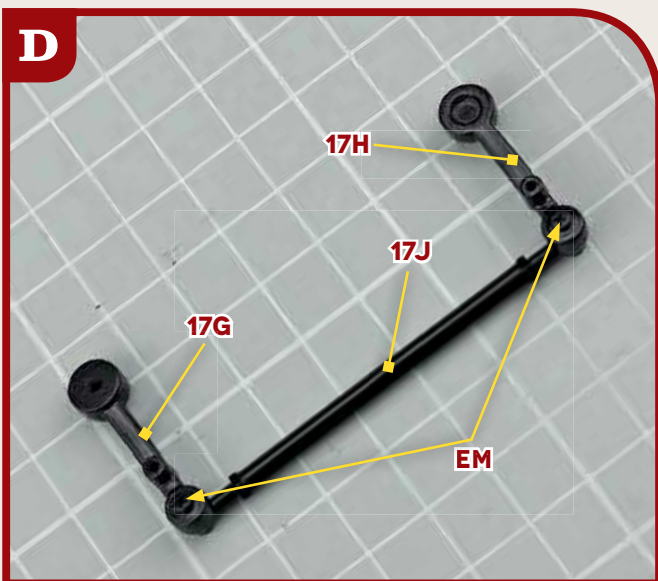


- 17A** Engine front frame
- 17B** Brackets 1
- 17C** Stabilizer bar
- 17D** Linkages 1
- 17E** Linkage 2
- 17F** Linkage 3
- 17G** Linkage 4
- 17H** Linkage 5
- 17I** Bracket 2
- 17J** Bar
- 17K** Gaskets

- AM** 1 screw (2x4 mm)
- DM** 1 screw (2.3x4 mm)
- EM** 14 screws (1.7x4 mm)
- JM** 4 screws (1.7x4 mm)
- OM** 2 screws (2.3x5 mm)



# STEP BY STEP 17

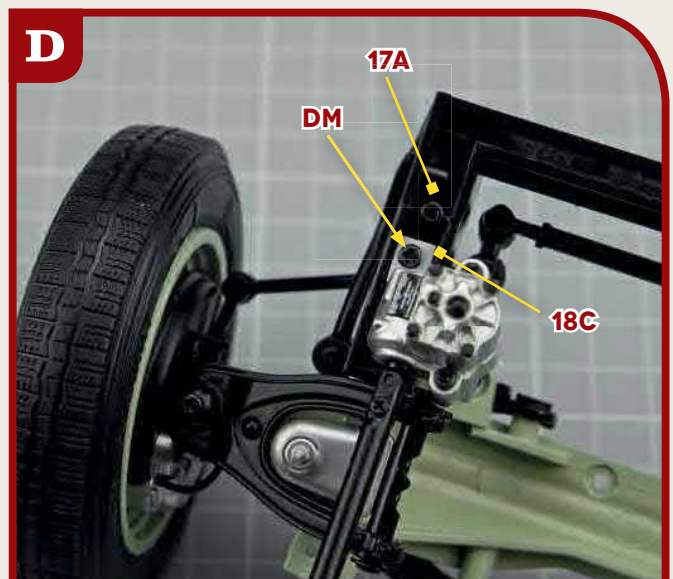
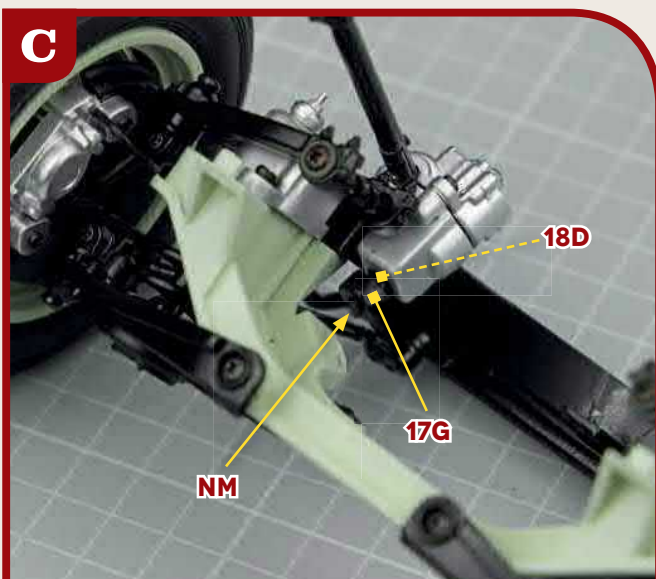
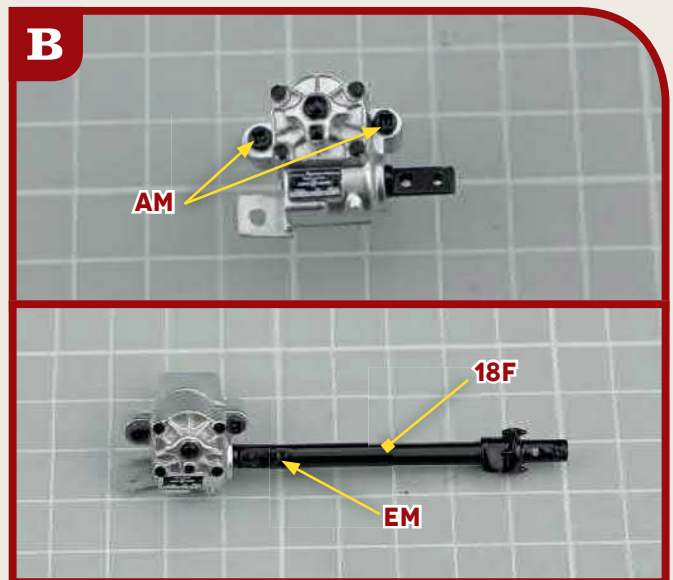
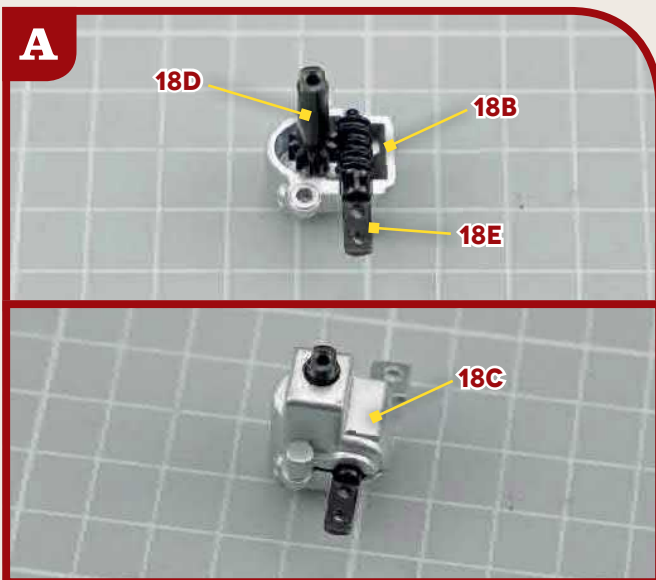




18 PARTS LIST



- 18A** Engine cover
- 18B** Steering box upper part
- 18C** Steering box lower part
- 18D** Gear 1
- 18E** Gear 2
- 18F** Gear 3
  
- AM** 2 screws (2x4 mm)
- DM** 1 screw (2.3x4 mm)
- EM** 1 screw (1.7x4 mm)
- NM** 1 screw (2x5 mm)



**19 PARTS LIST**



**19A** Front chassis frame

20 PARTS LIST



- 20A** Front main beam (L)
- 20B** Front main beam (R)
- 20C** Mudguard (L)
- 20D** Bracket 1
- 20E** Mudguard (R)
- 20F** Bracket 2
  
- DM** 2 screws (2.3x4 mm)
- EM** 2 screws (1.7x4 mm)
- JM** 2 screws (1.7x4 mm)
- CP** 4 screws (1.7x4 mm)



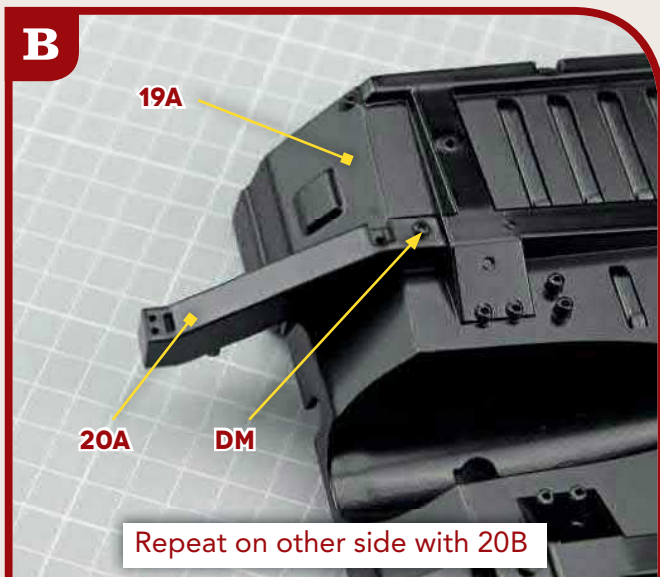
20C

20D



CP

Repeat for 20E and 20F



B

19A

20A

DM

Repeat on other side with 20B



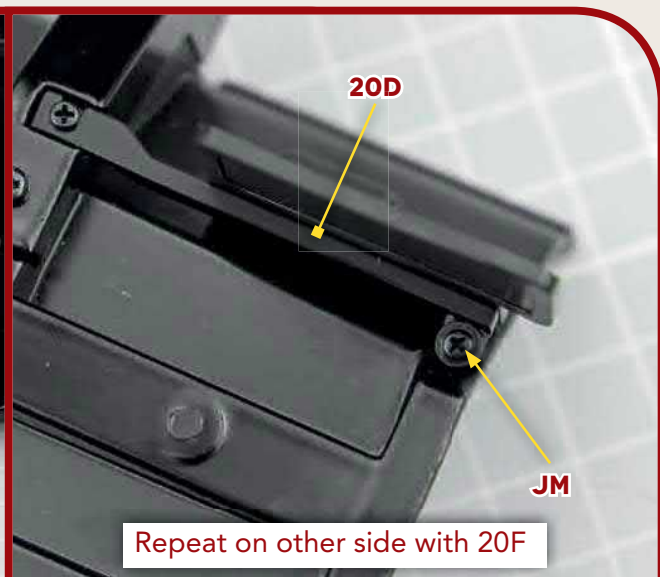
C

20D

20A

EM

Repeat on other side with 20F

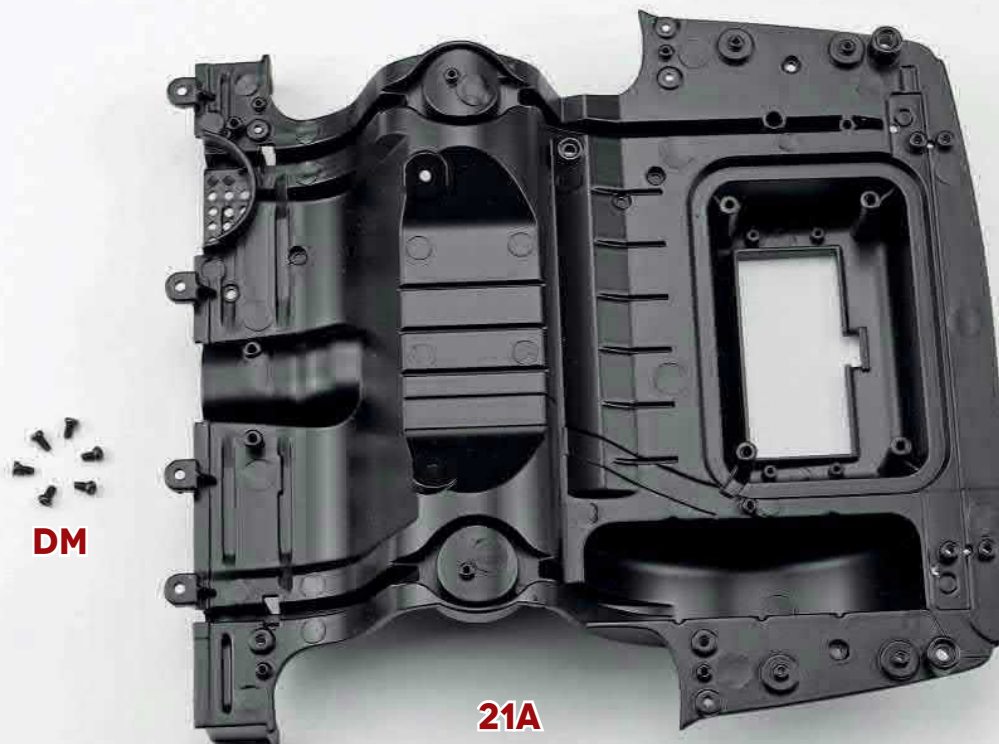


20D

JM

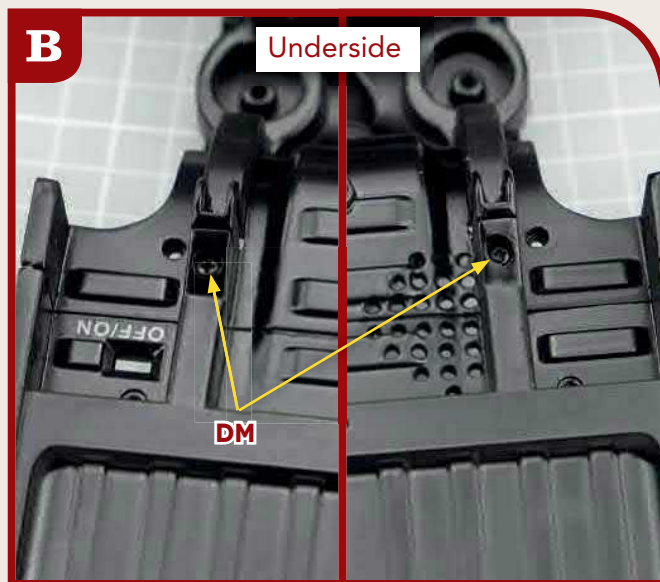
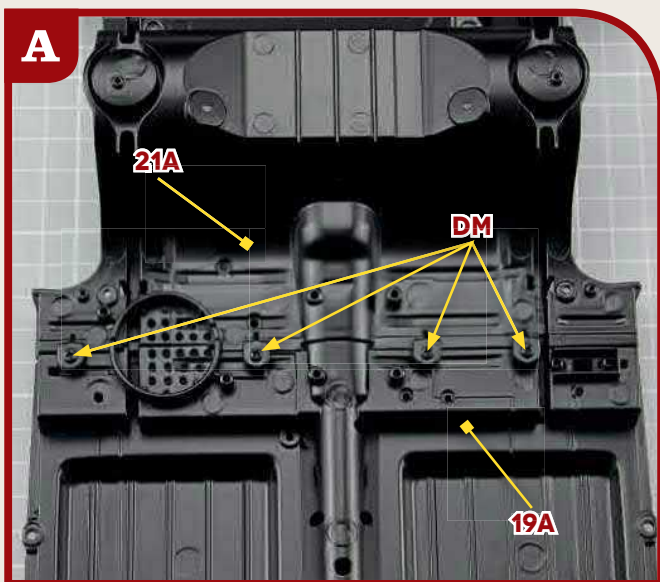
Repeat on other side with 20F

21 PARTS LIST



**21A** Rear chassis frame

**DM** 6 screws (2.3x4 mm)

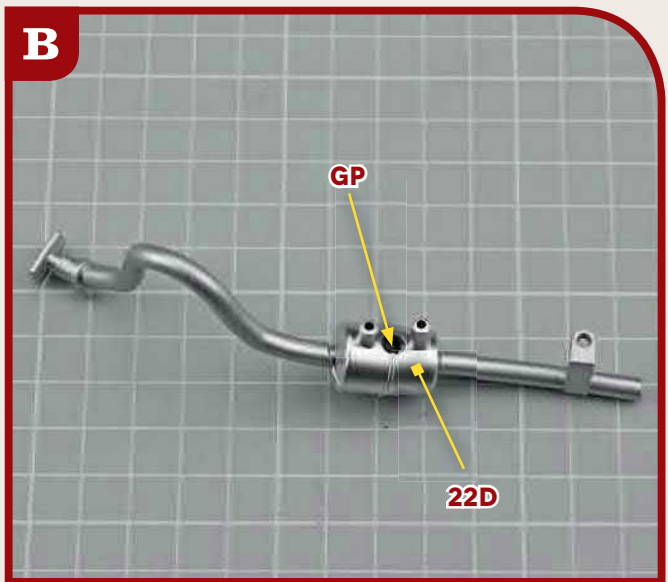
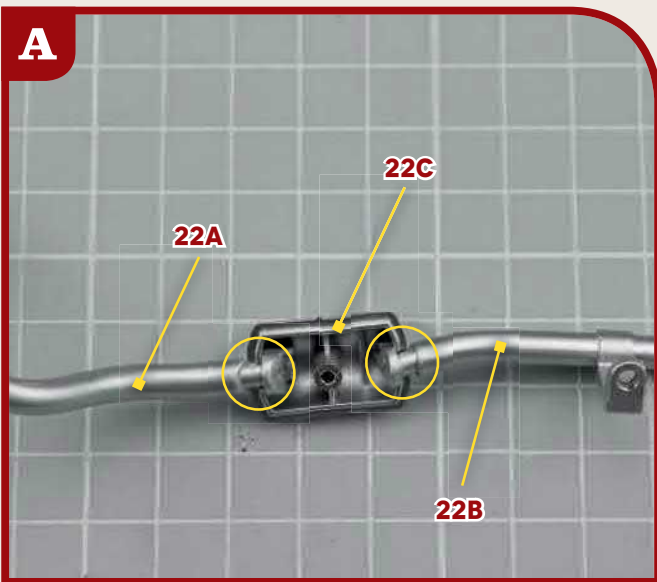


22 PARTS LIST

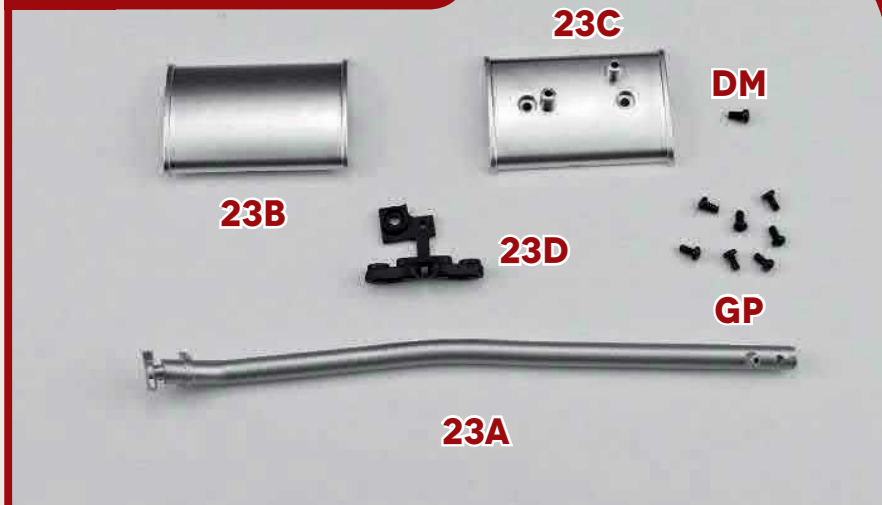


- 22A** Exhaust pipe 1
- 22B** Exhaust pipe 2
- 22C** Secondary silencer upper part

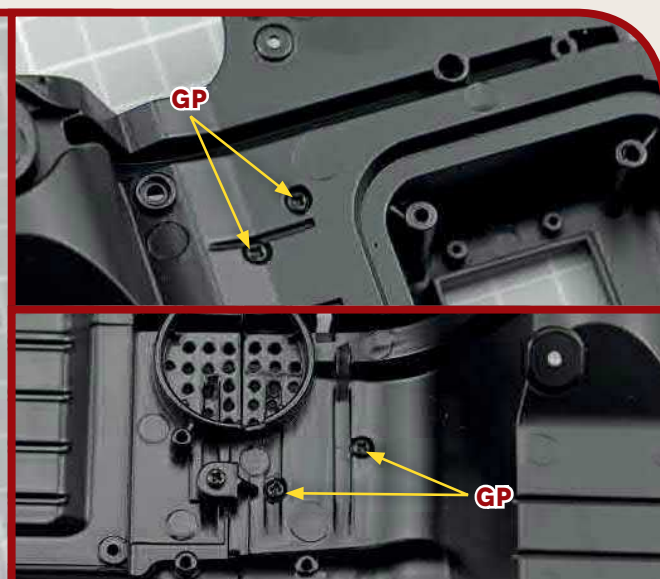
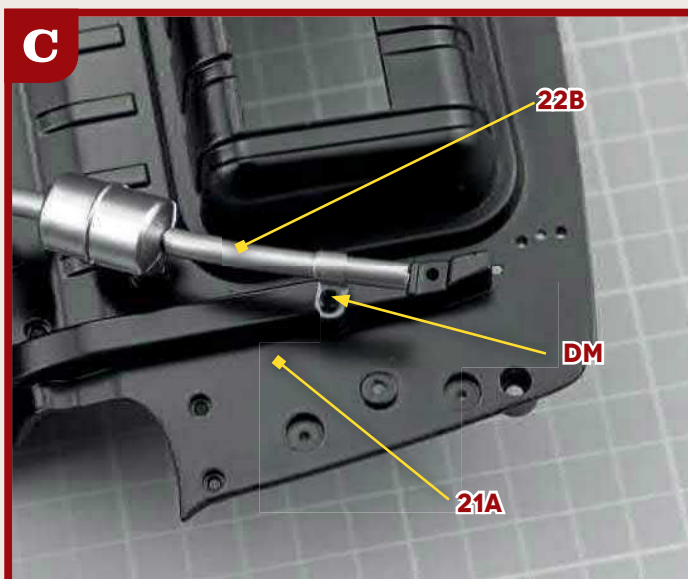
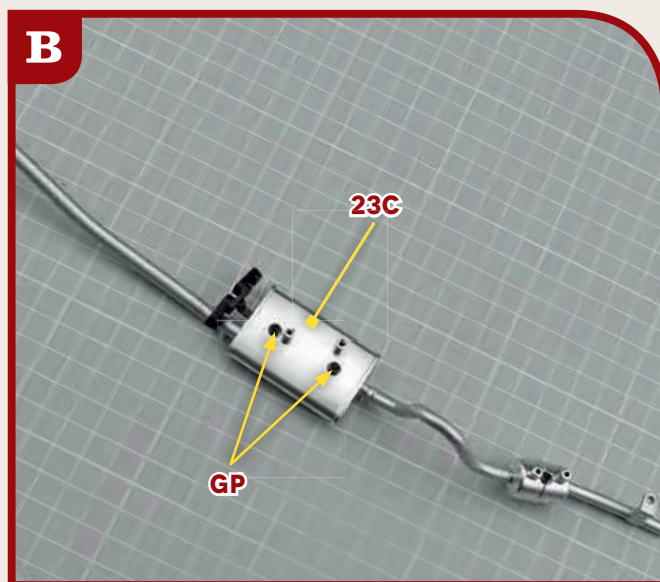
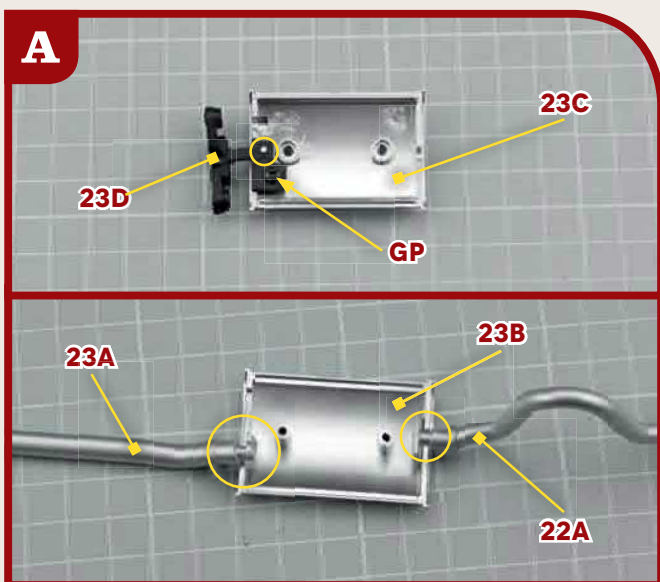
- 22D** Secondary silencer lower part
- GP** 1 screw (2.3x4 mm)



## 23 PARTS LIST



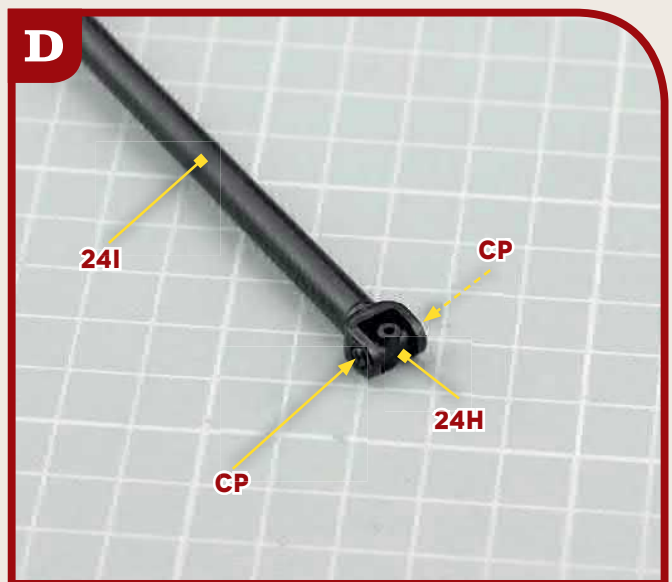
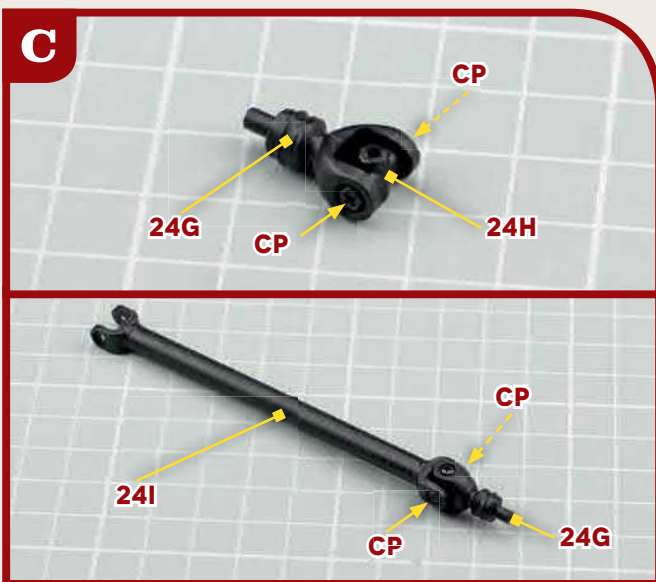
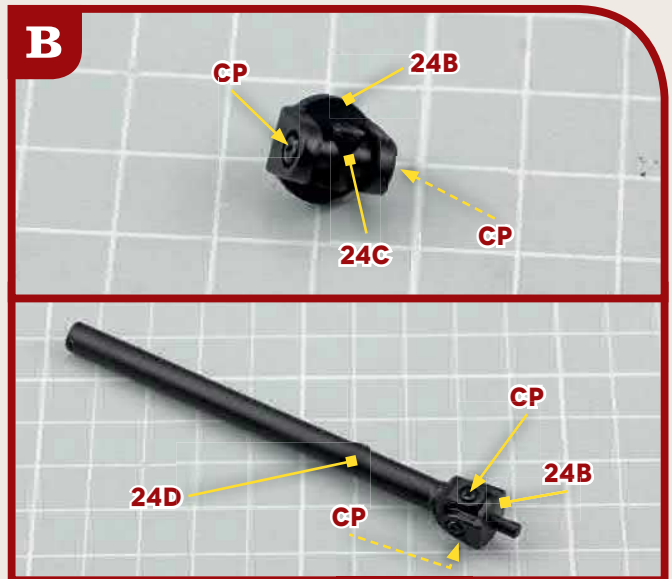
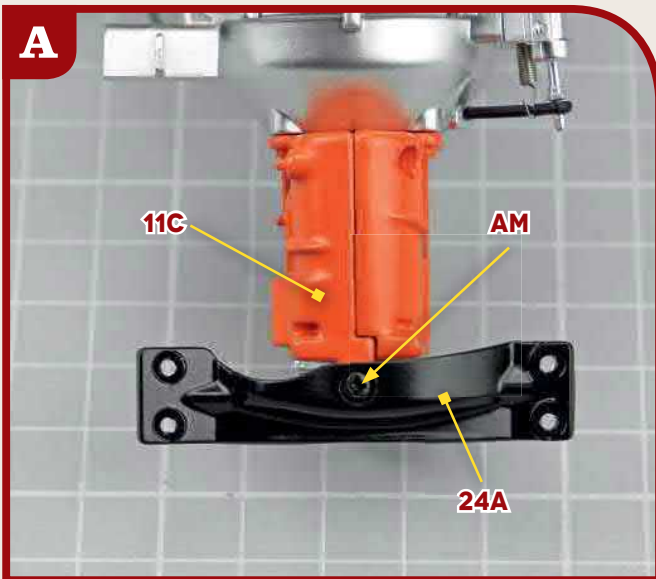
- 23A** Exhaust pipe 3
- 23B** Main silencer upper part
- 23C** Main silencer lower part
- 23D** Main silencer mount
- DM** 1 screw (2.3x4 mm)
- GP** 7 screws (2.3x4 mm)



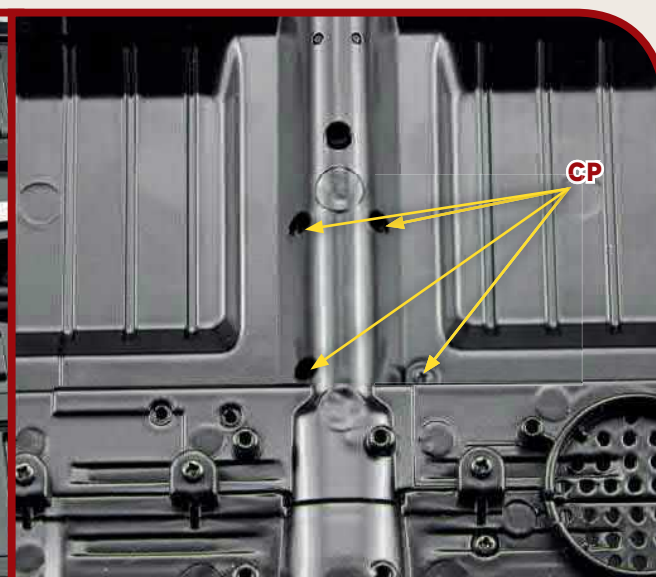
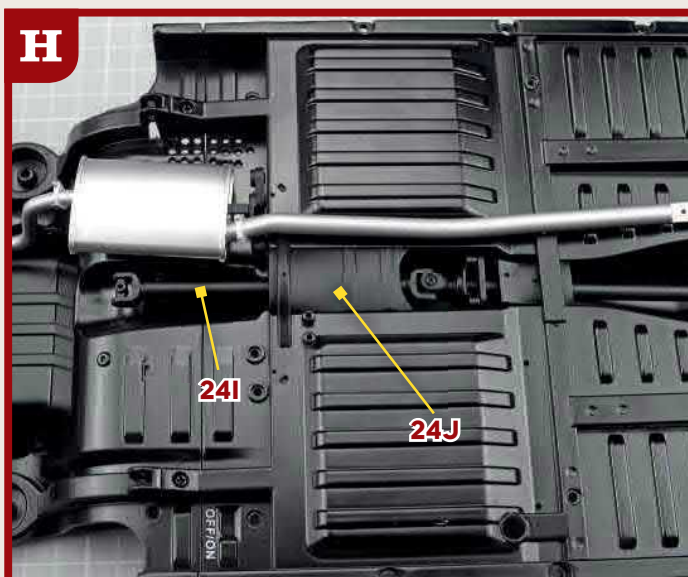
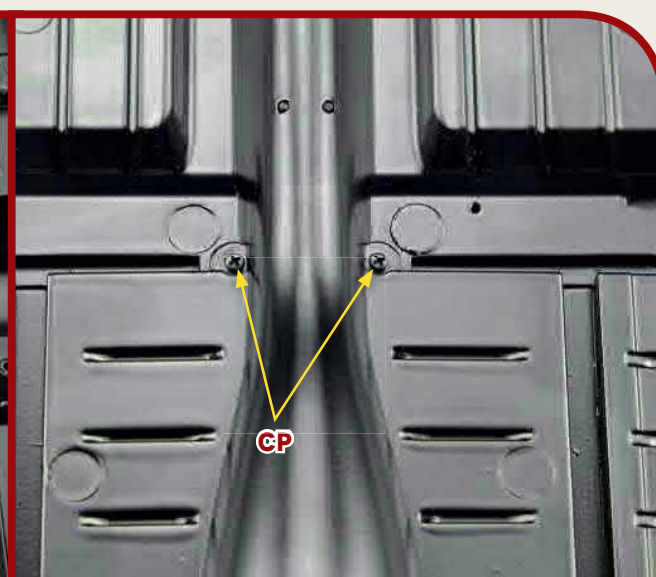
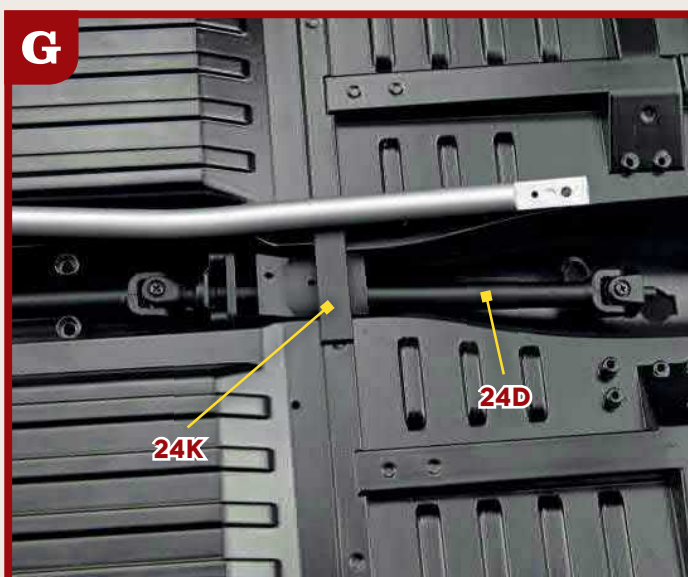
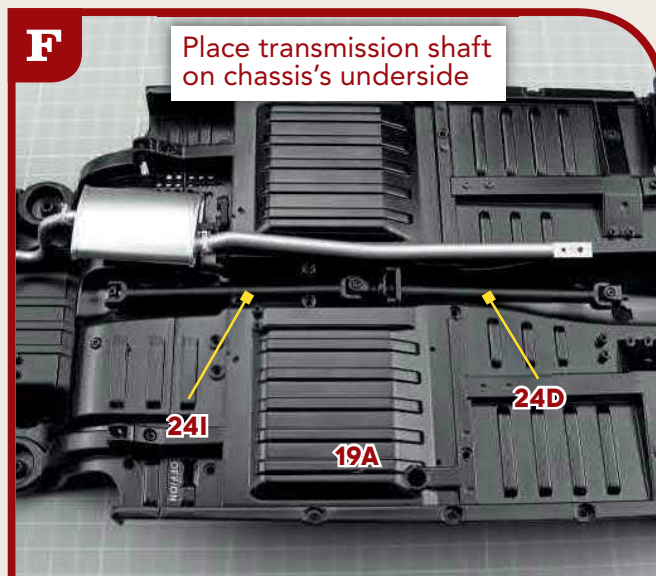
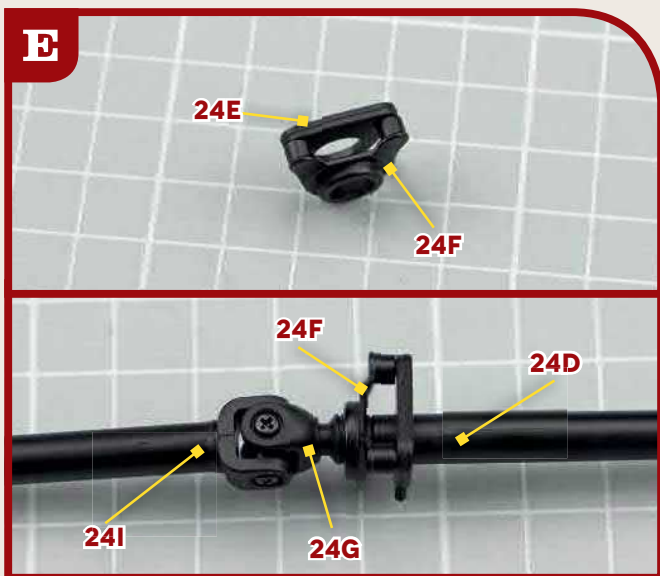
24 PARTS LIST



- 24A** Transmission shaft bracket
- 24B** Connector 1
- 24C** Connector 2
- 24D** Transmission shaft 1
- 24E** Bracket 1
- 24F** Bracket 2
- 24G** Connector 3
- 24H** Connectors 4 (x2)
- 24I** Transmission shaft 2
- 24J** Chassis plate 1
- 24K** Chassis plate 2
  
- AM** 1 screw (2x4 mm)
- CP** 16 screws (1.7x4 mm)

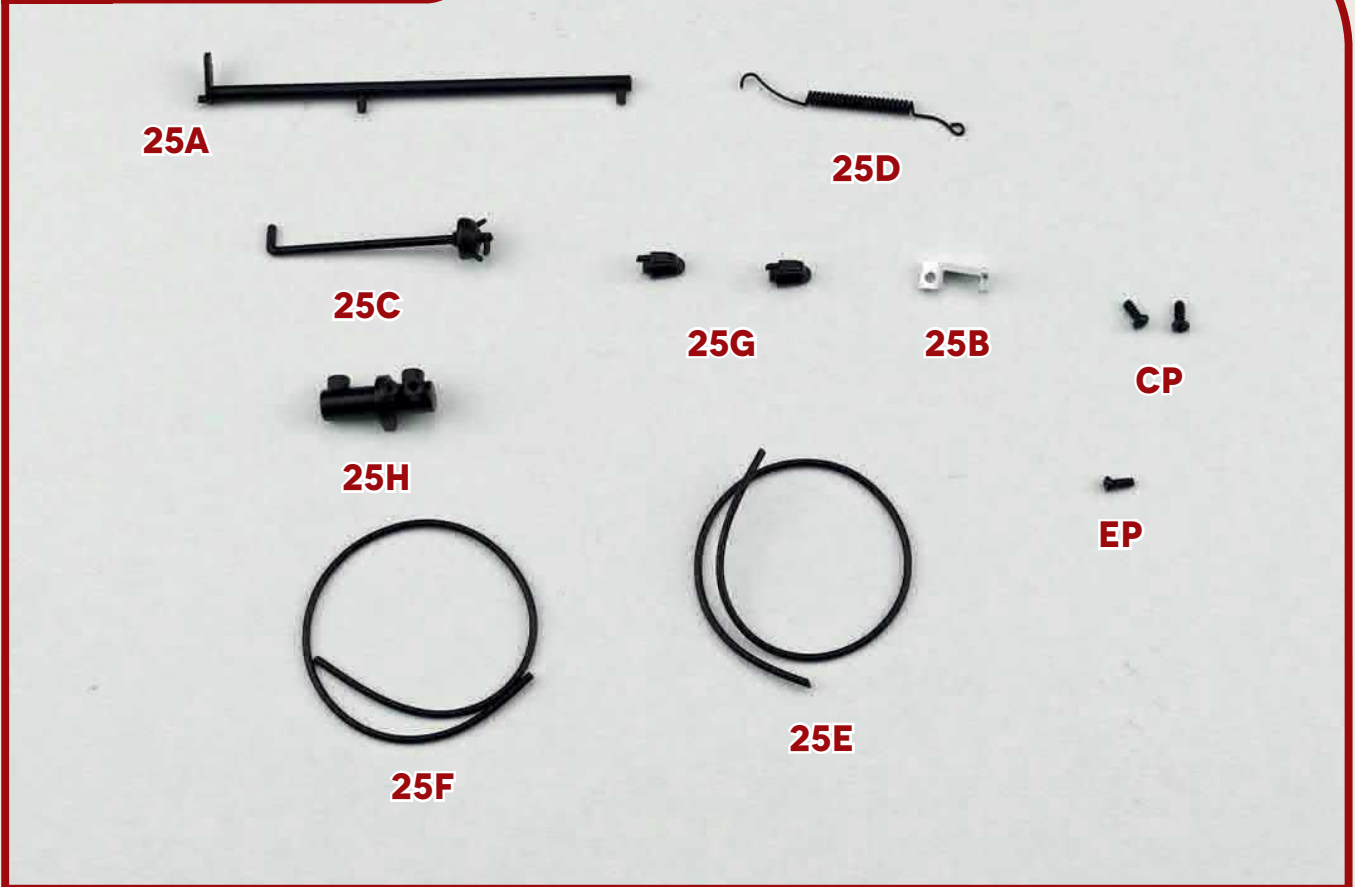


# STEP BY STEP 24





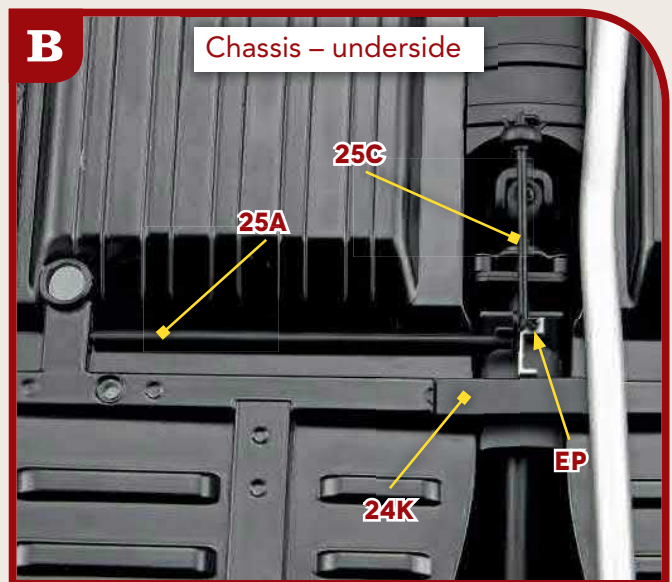
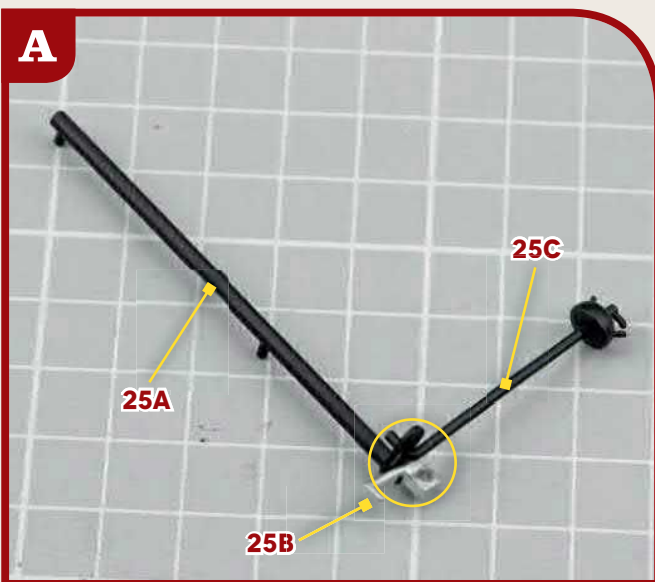
**25 PARTS LIST**

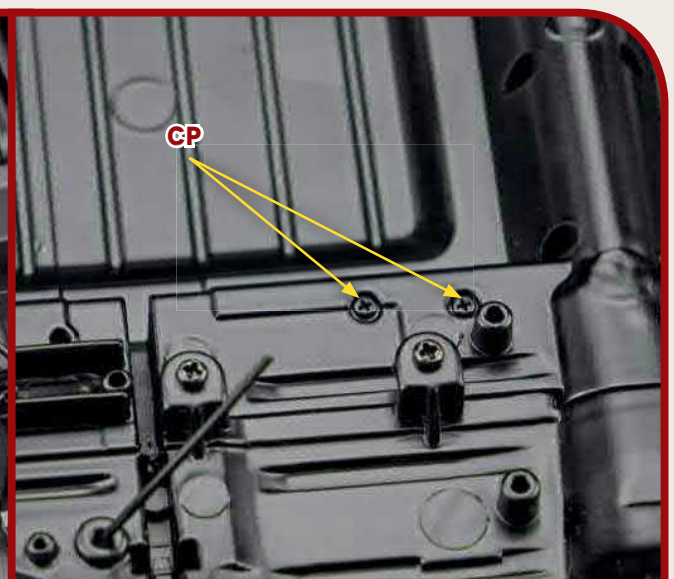
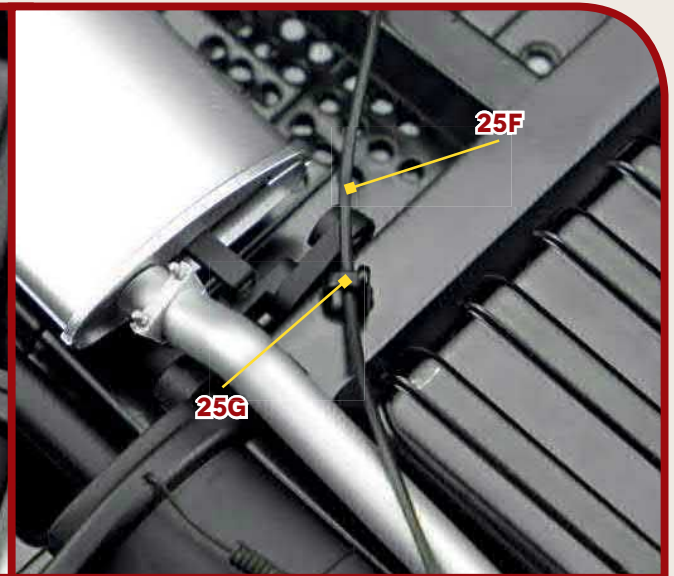
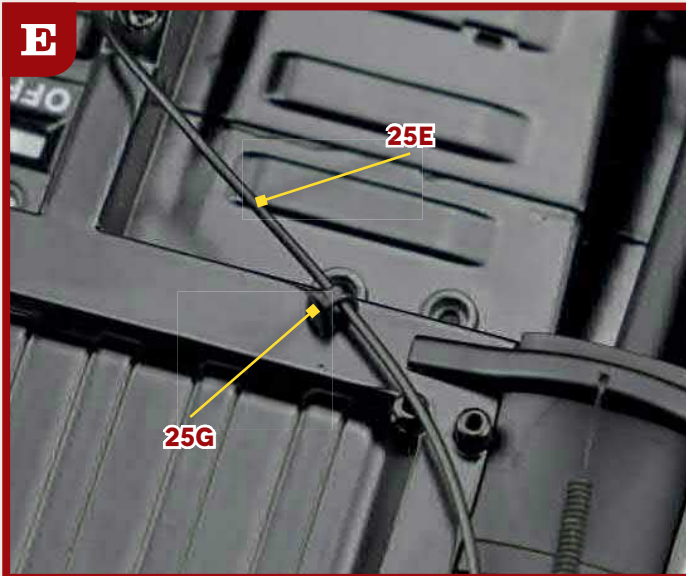
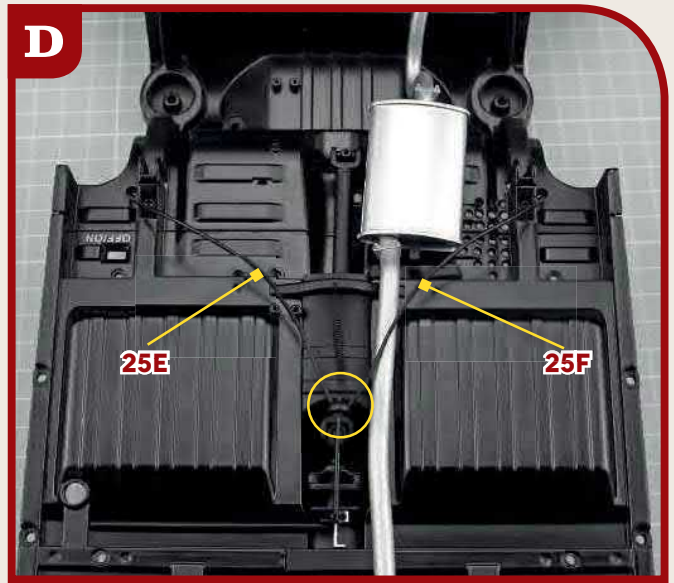
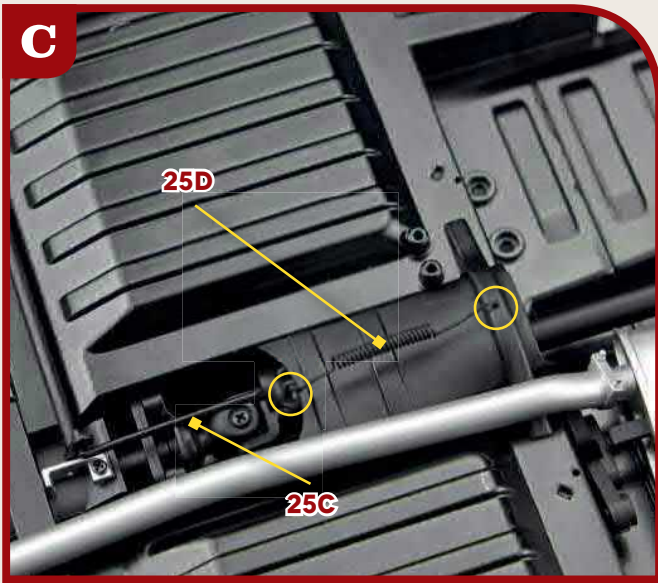


- 25A** Handbrake cable
- 25B** Bracket 1
- 25C** Bracket 2
- 25D** Spring

- 25E** Brake hose 1
- 25F** Brake hose 2
- 25G** Hose clamps
- 25H** Distributor

- CP** 2 screws (1.7x4 mm)
- EP** 1 screw (1.5x4 mm)





**26 PARTS LIST**



**26A**



**26B**



**26E**



**26C**



**26D**



**26F**



**EM**

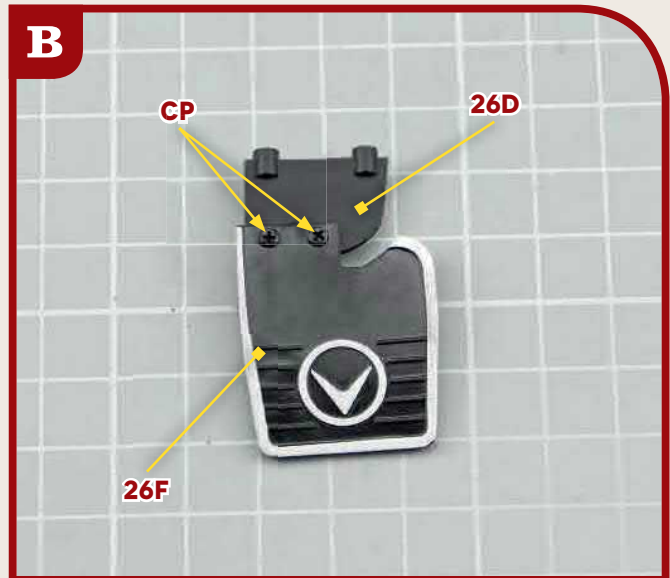
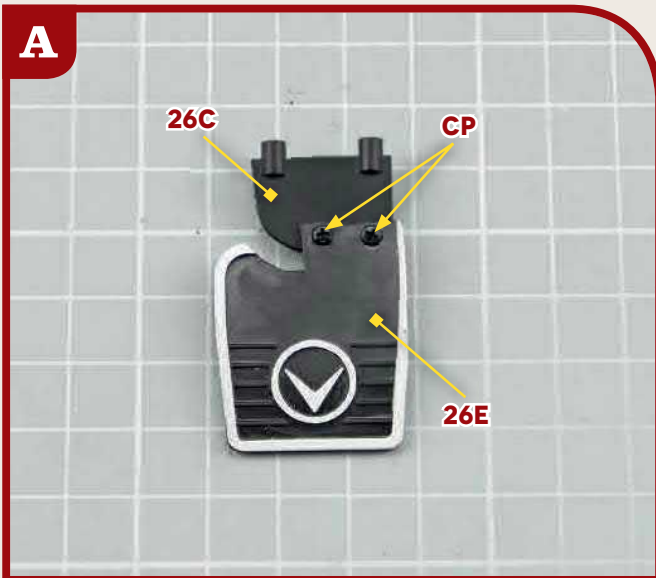


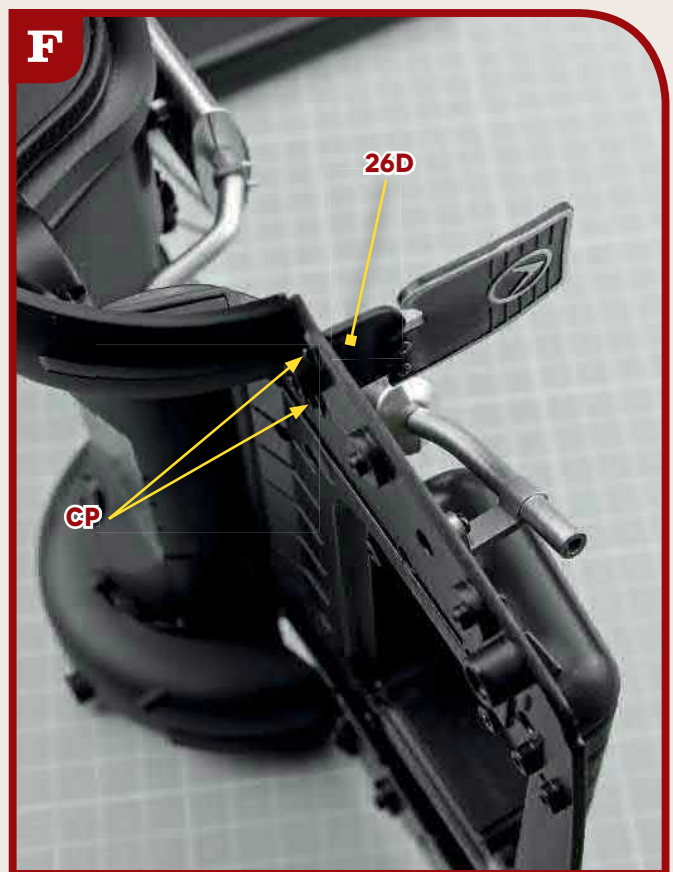
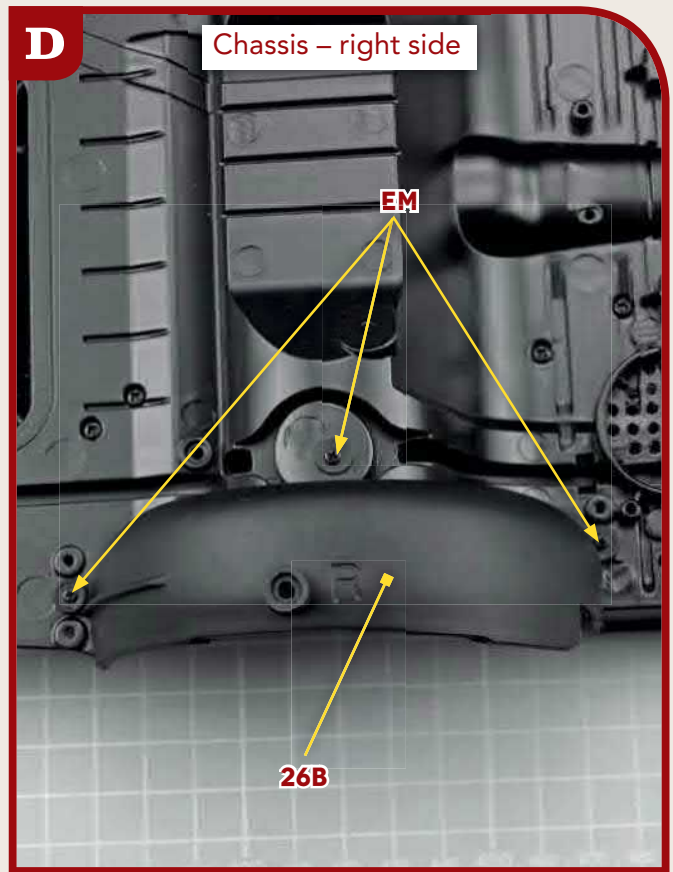
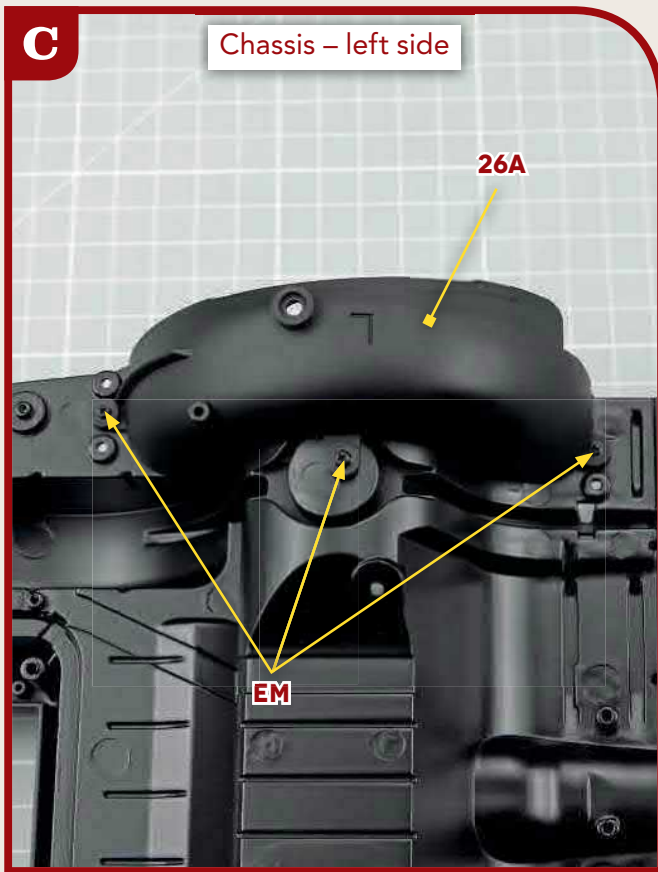
**CP**

- 26A** Left rear mudguard
- 26B** Right rear mudguard
- 26C** Bracket (L)

- 26D** Bracket (R)
- 26E** Mudflap (L)
- 26F** Mudflap (R)

- EM** 6 screws (1.7x4 mm)
- CP** 8 screws (1.7x4 mm)





27 PARTS LIST



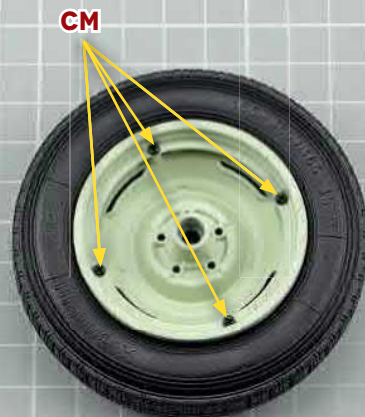
- 27A Tyre
- 27B Outer rim
- 27C Inner rim
- 27D Rim cover
- 27E Hubcap
- 27F Brake disc
- 27G Wheel mount
- 27H Washer

- CM 4 screws (1.5x4 mm)
- EP 5 screws (1.5x4 mm)

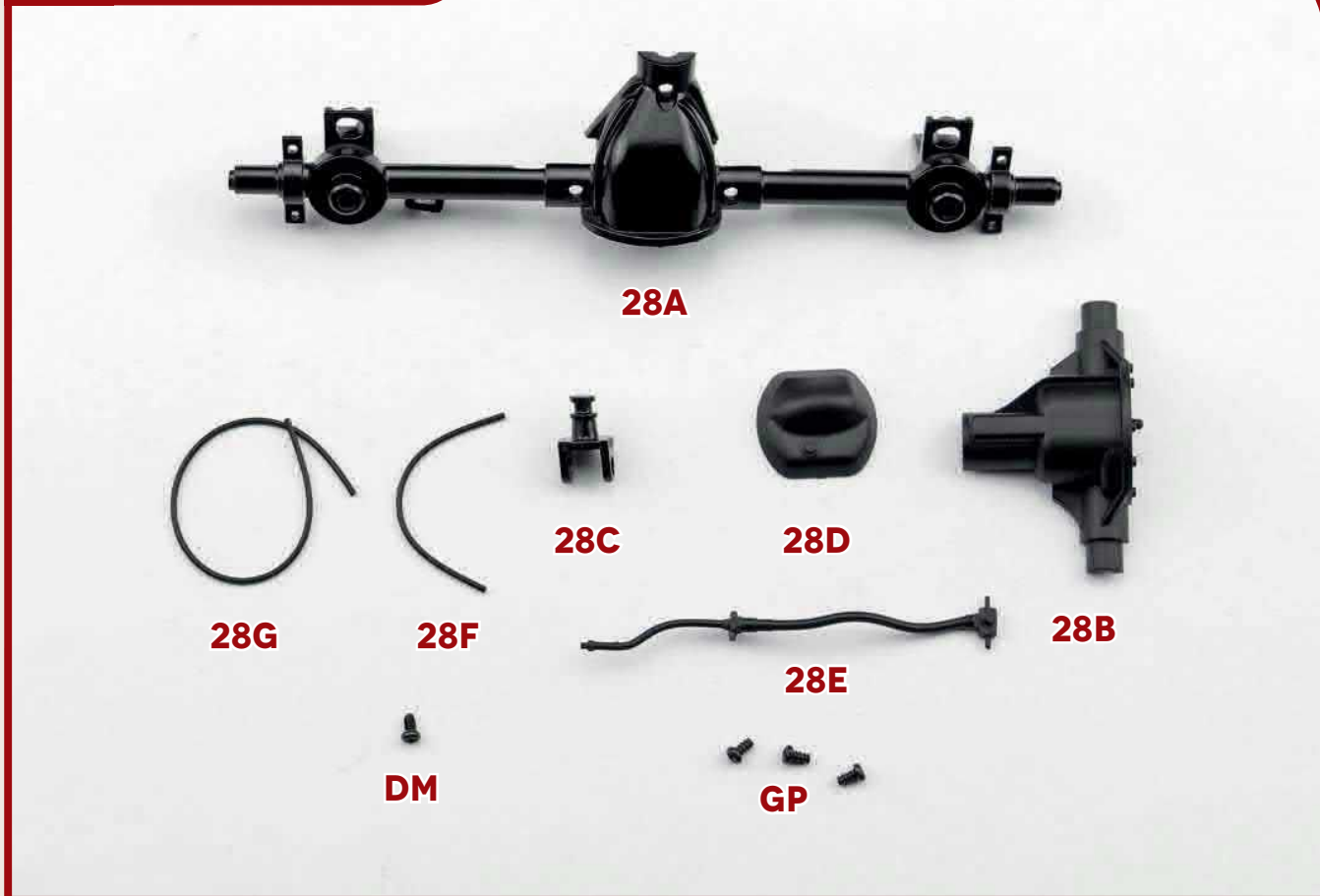
A



B



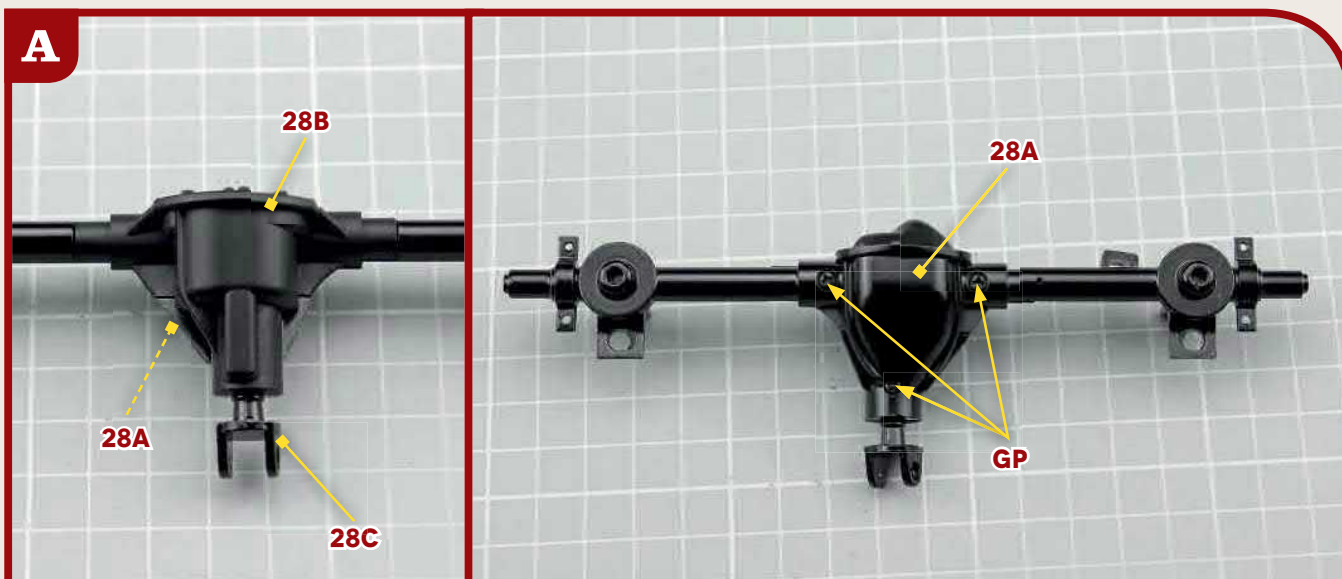
**28 PARTS LIST**

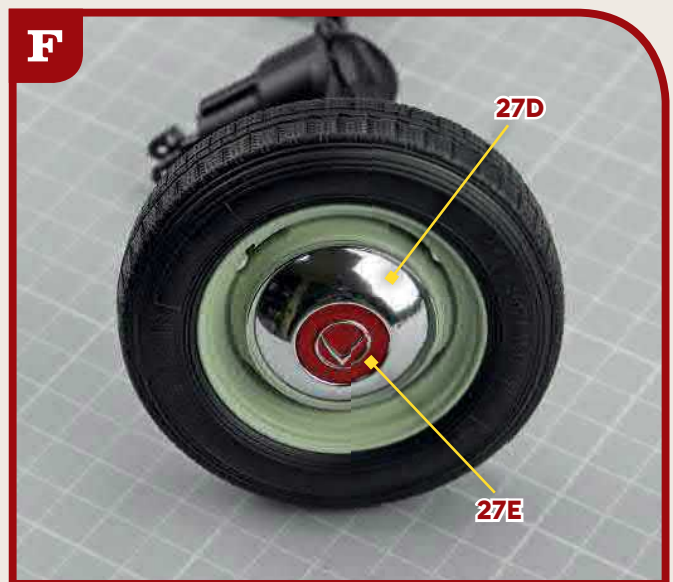
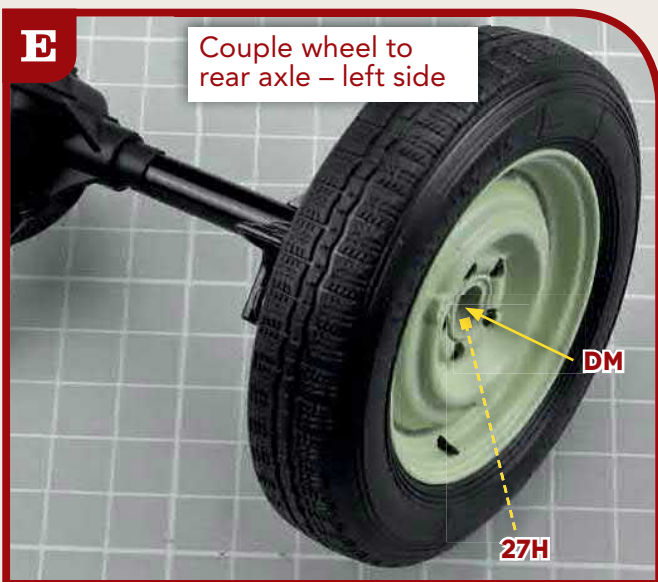
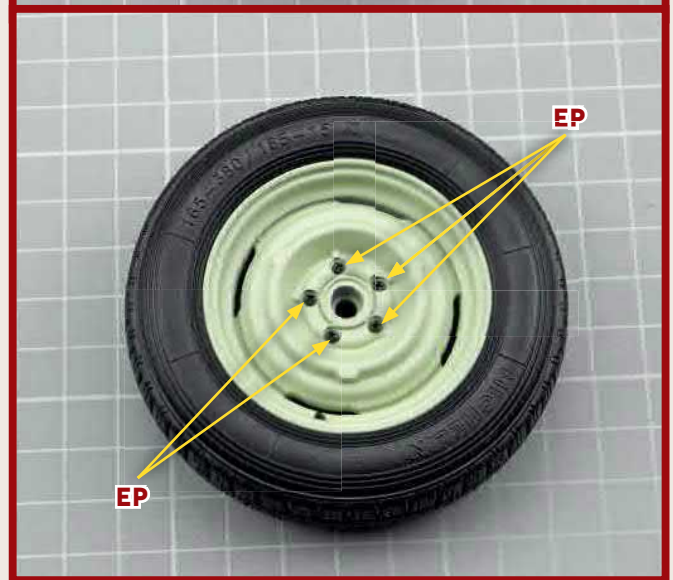
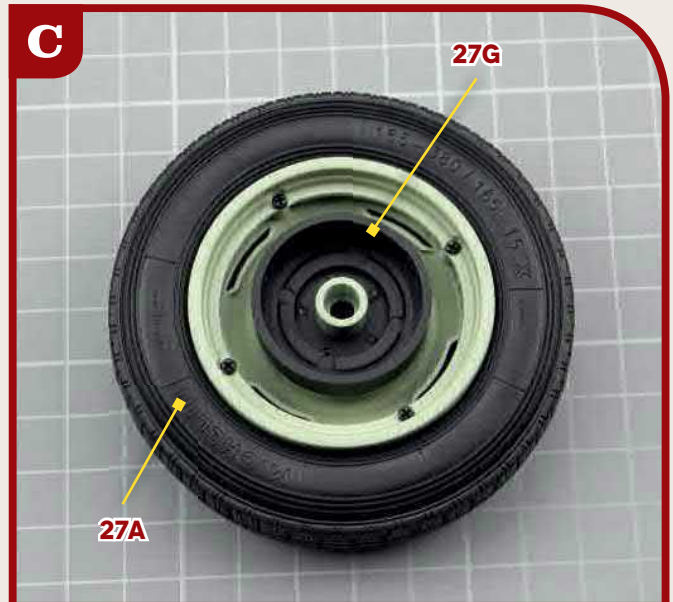
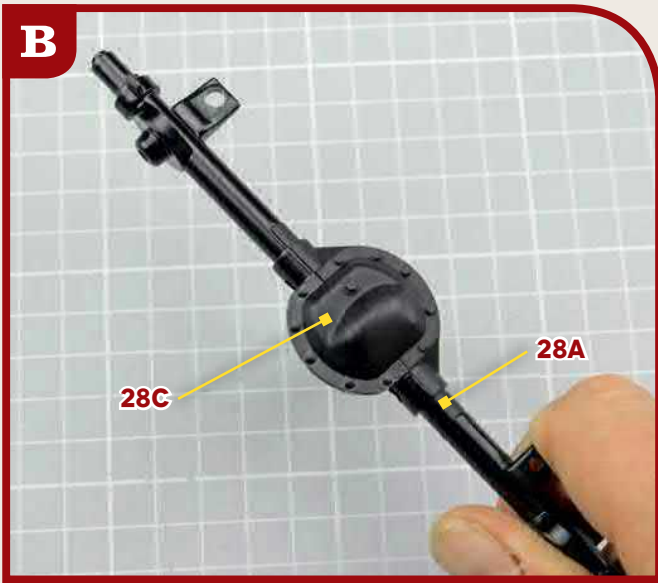


**28A** Rear axle  
**28B** Differential upper part  
**28C** Connector  
**28D** Differential rear cover

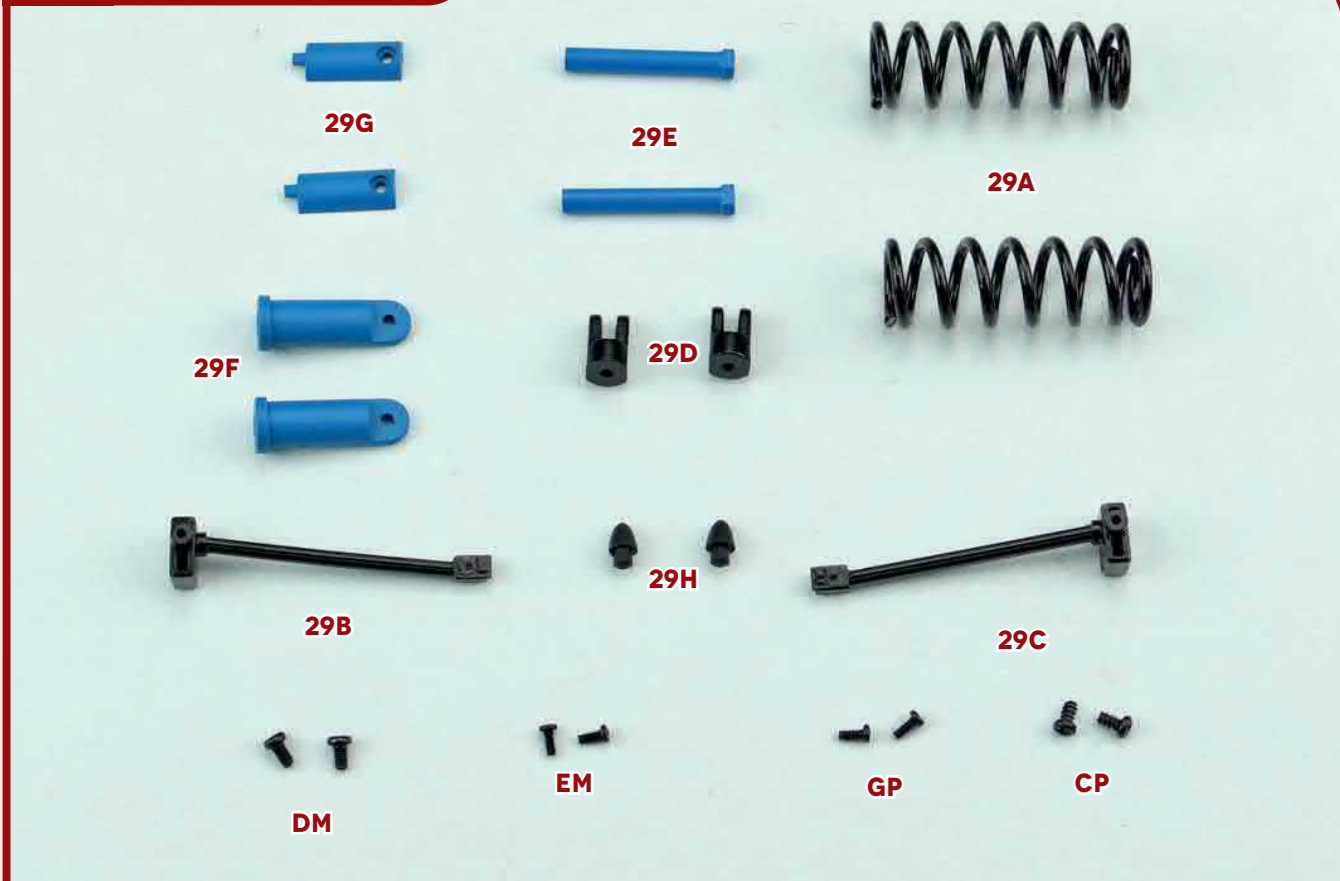
**28E** Pipe  
**28F** Hose 1  
**28G** Hose 2

**DM** 1 screw (2.3x4 mm)  
**GP** 3 screws (2.3x4 mm)

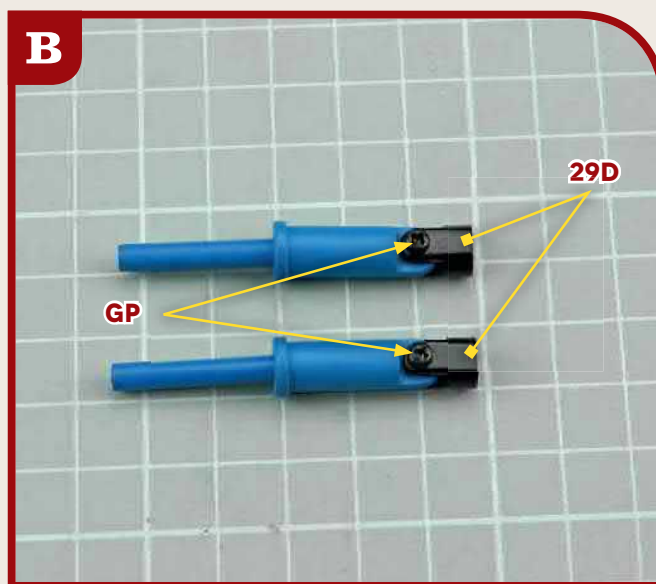
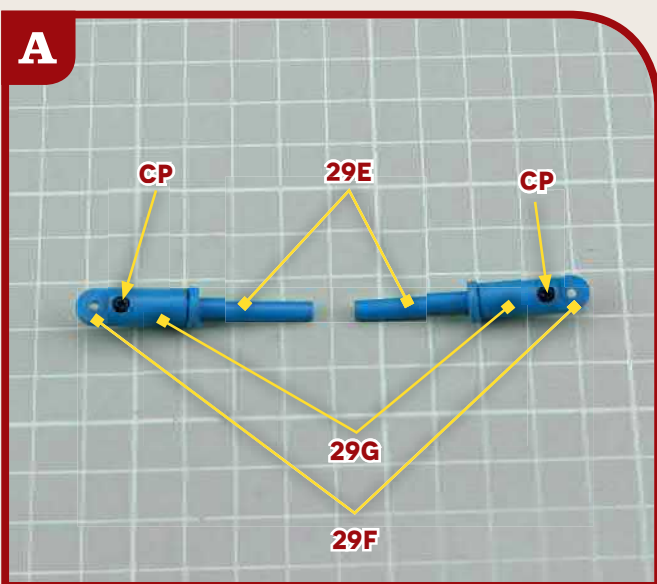




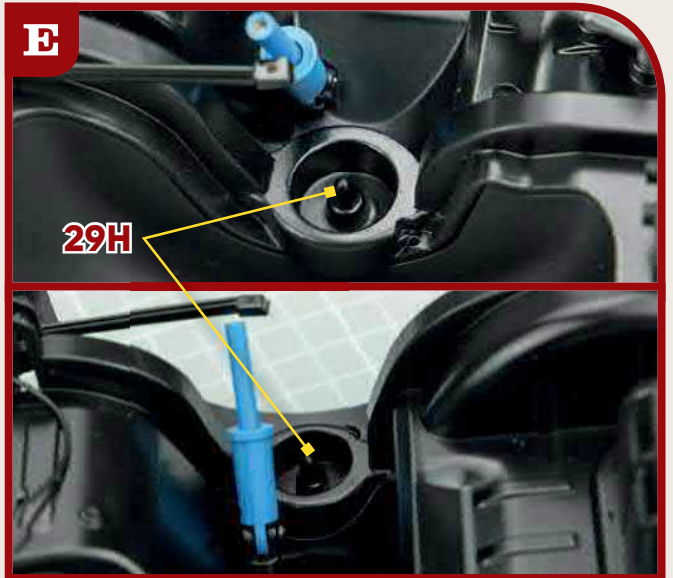
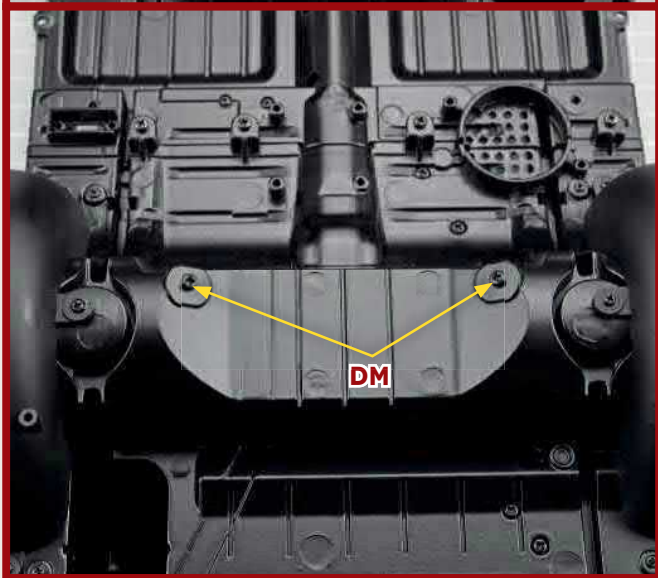
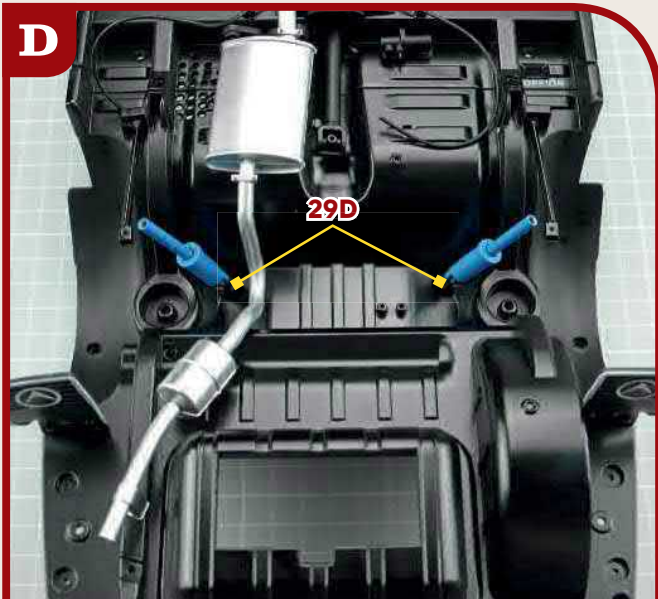
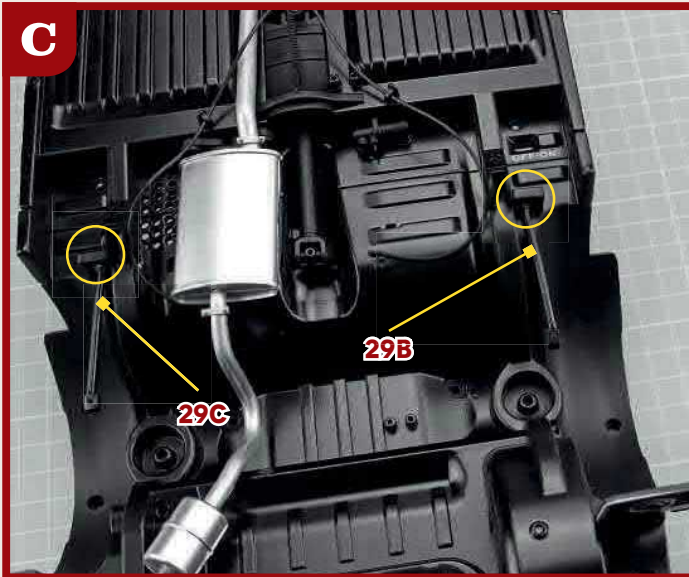
**29 PARTS LIST**



- |                               |                            |                               |
|-------------------------------|----------------------------|-------------------------------|
| <b>29A</b> Springs            | <b>29E</b> Rods            | <b>DM</b> 2 screws (2.3x4 mm) |
| <b>29B</b> Suspension arm (L) | <b>29F</b> Casings parts 1 | <b>EM</b> 2 screws (1.7x4 mm) |
| <b>29C</b> Suspension arm (R) | <b>29G</b> Casings parts 2 | <b>GP</b> 2 screws (2.3x4 mm) |
| <b>29D</b> Brackets 1         | <b>29H</b> Brackets 2      | <b>CP</b> 2 screws (1.7x4 mm) |







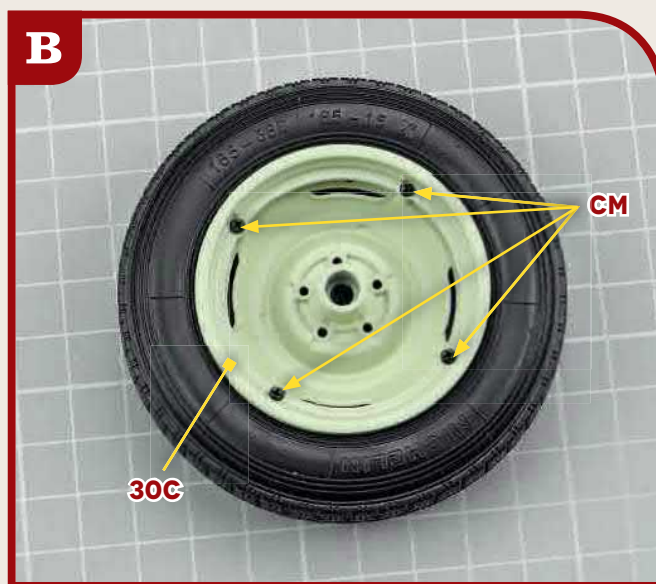
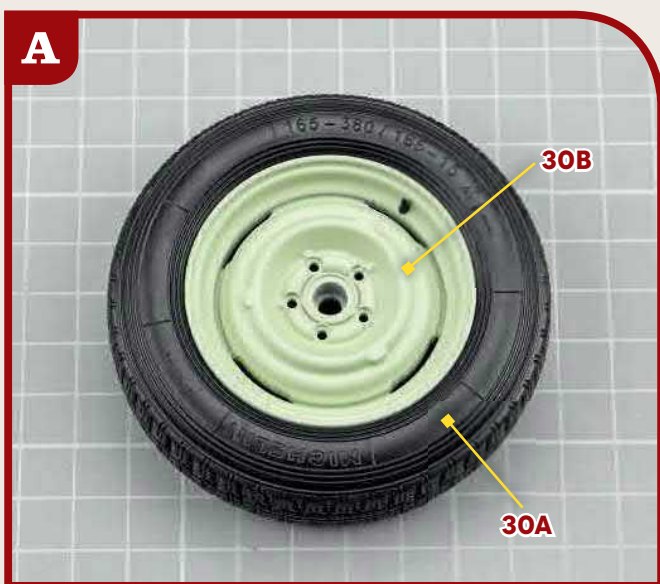
**30 PARTS LIST**

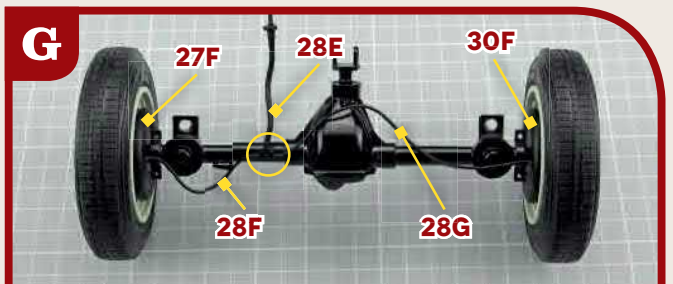
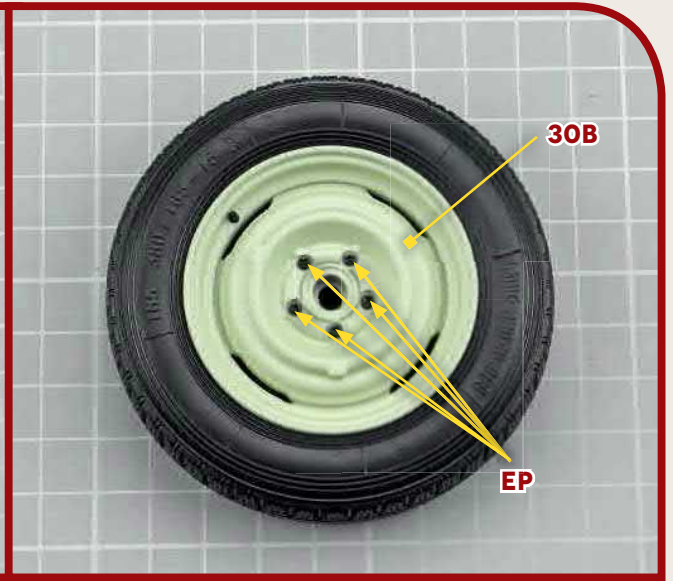
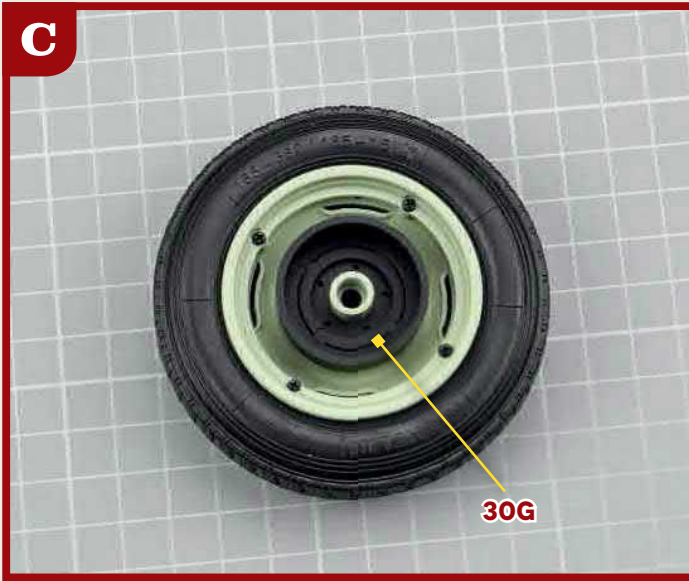


**30A** Tyre  
**30B** Outer rim  
**30C** Inner rim  
**30D** Rim cover

**30E** Hubcap  
**30F** Brake disc  
**30G** Wheel holder  
**30H** Washer

**DM** 1 screw (2.3x4 mm)  
**CM** 4 screws (1.5x4 mm)  
**EP** 5 screws (1.5x4 mm)





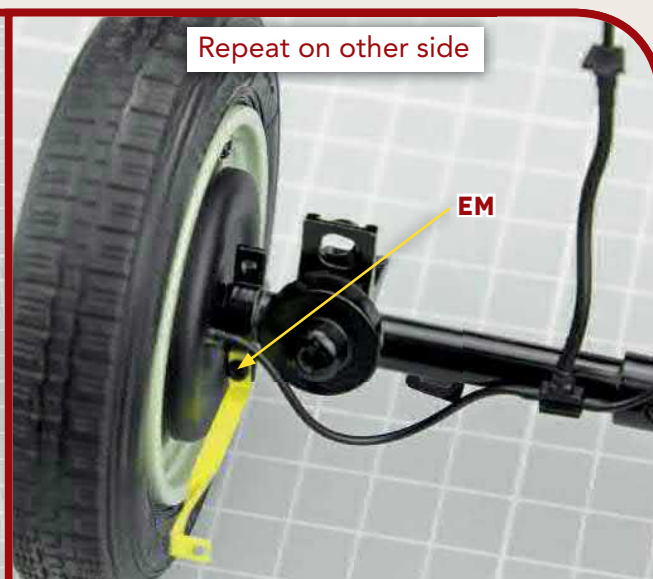
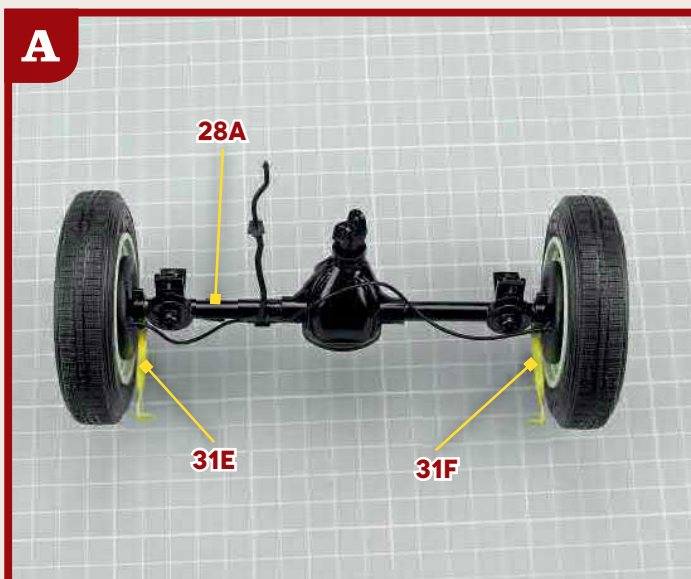
## 31 PARTS LIST

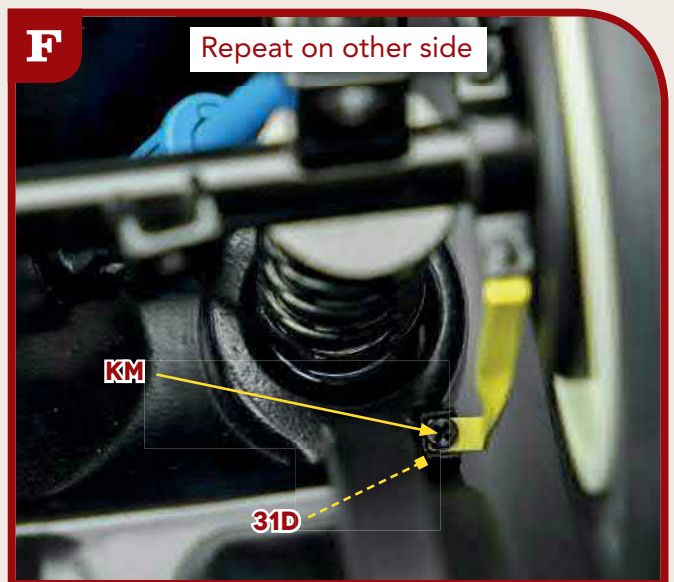
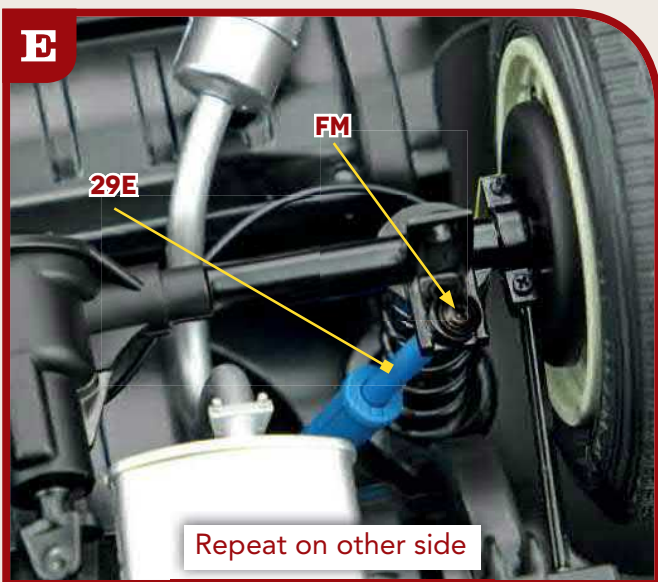
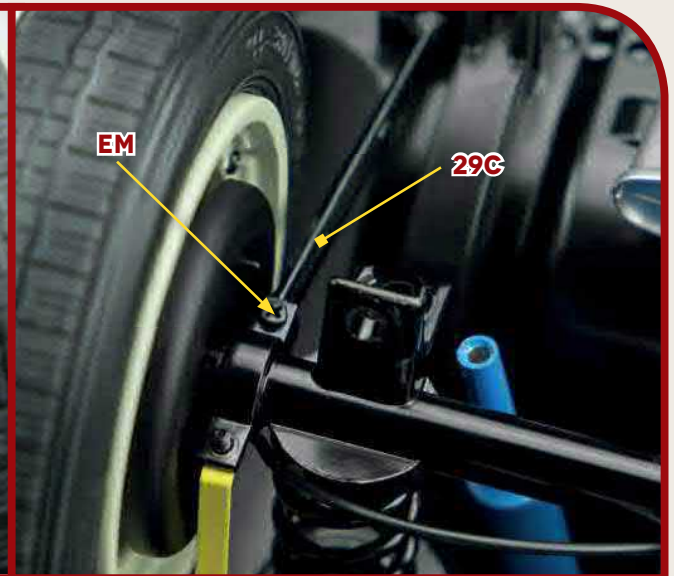
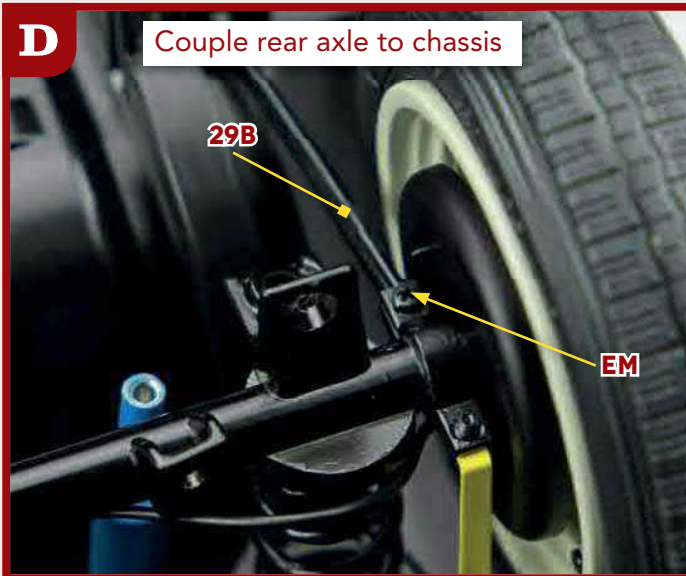
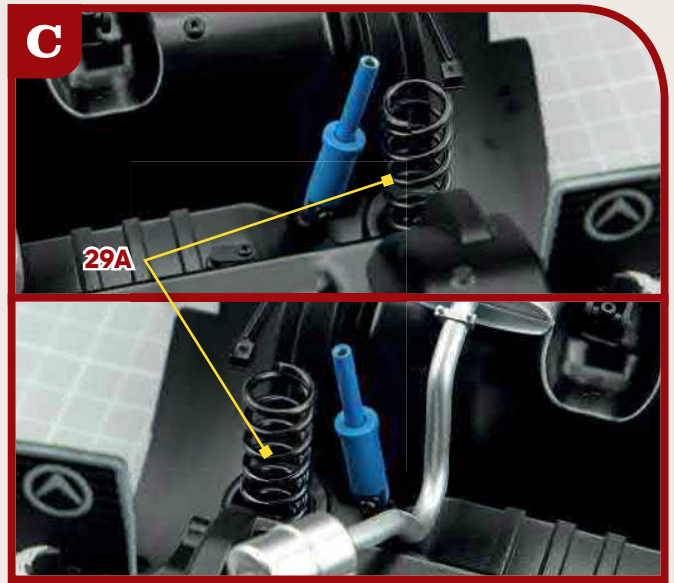
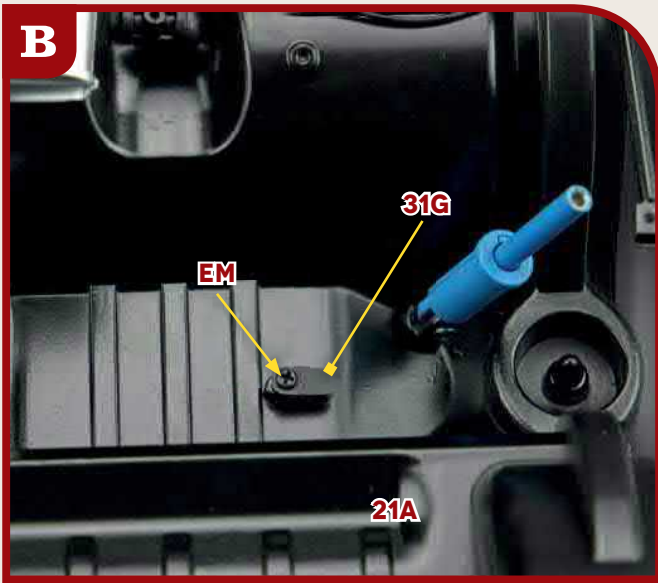


- 31A** Stabiliser bar
- 31B** Bracket 1
- 31C** Rods
- 31D** Brackets 2
- 31E** Support arm (L)

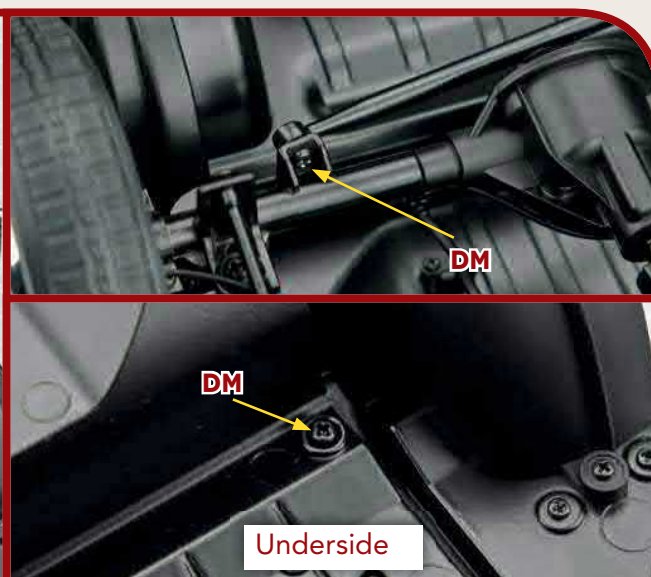
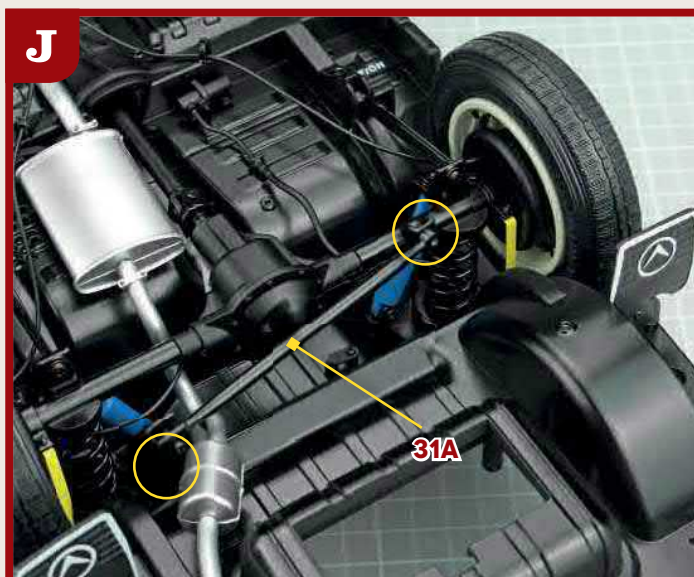
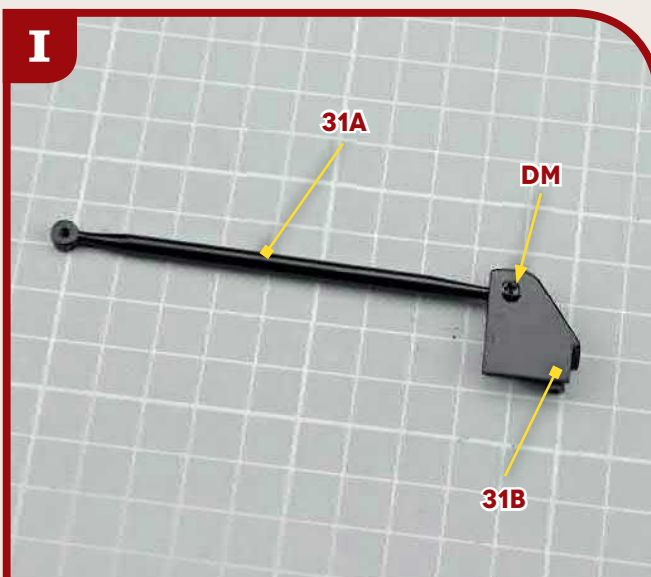
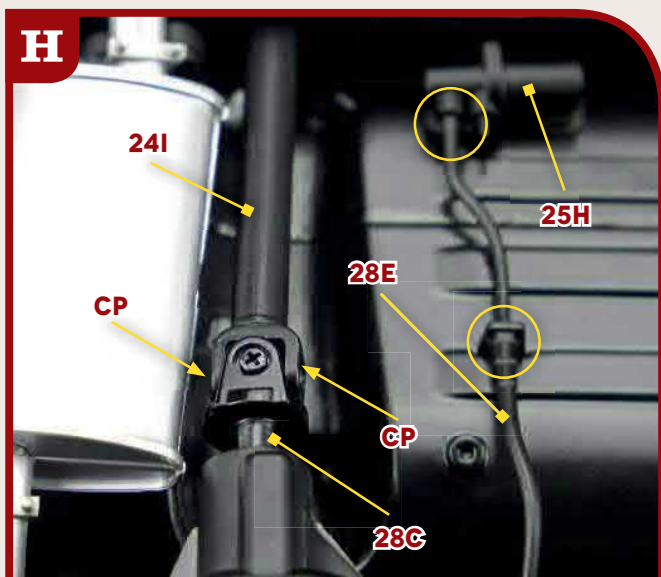
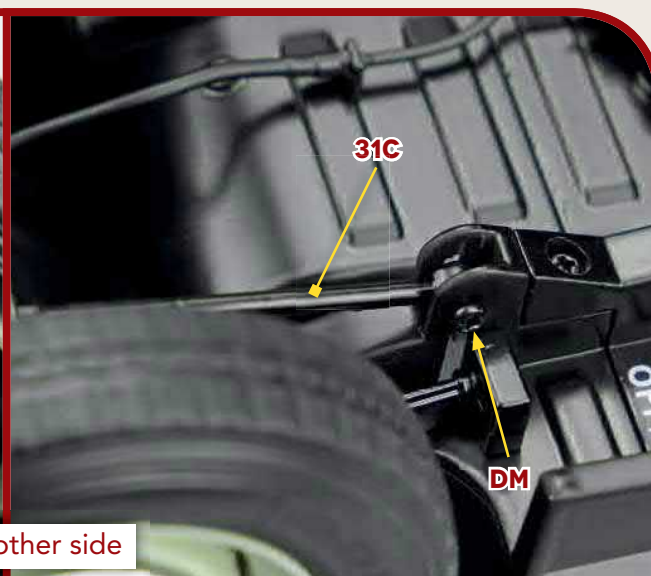
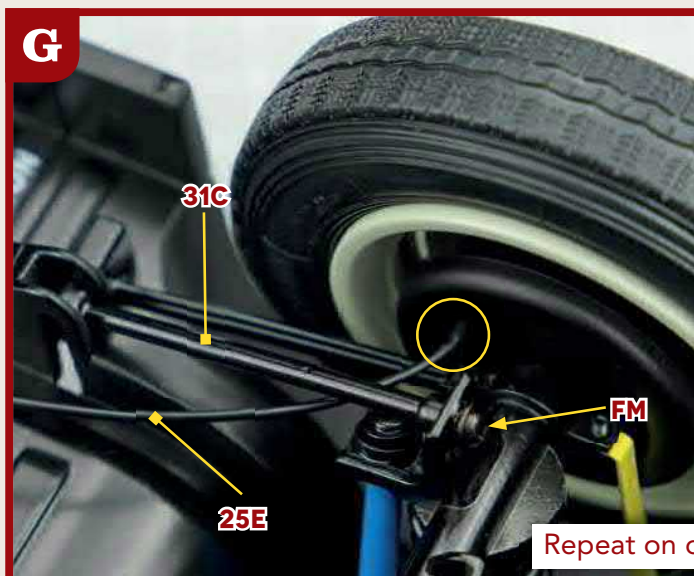
- 31F** Support arm (R)
- 31G** Plate
- DM** 5 screws (2.3x4 mm)
- EM** 5 screws (1.7x4 mm)

- FM** 4 screws (2.3x4 mm)
- KM** 2 screws (1.7x5 mm)
- CP** 2 screws (1.7x4 mm)

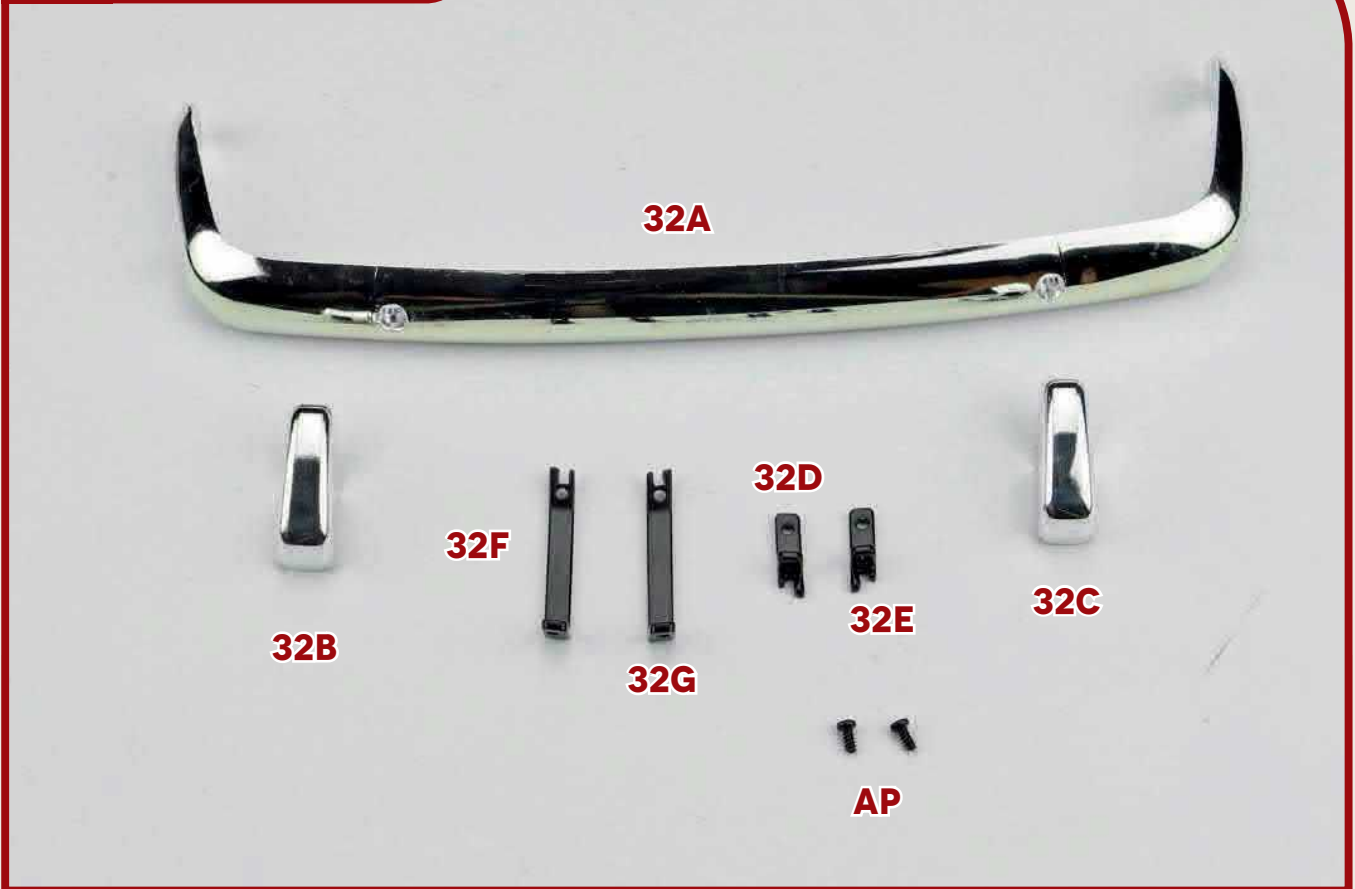




# STEP BY STEP 31



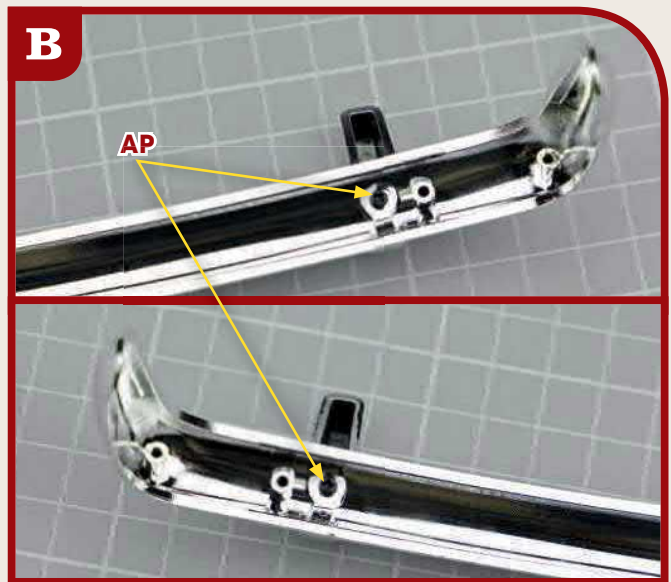
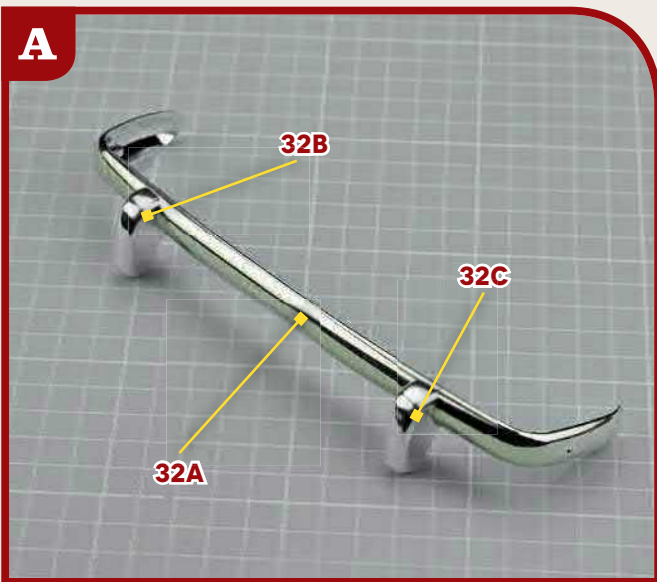
**32 PARTS LIST**



**32A** Rear bumper  
**32B** Bumper detail 1 (L)  
**32C** Bumper detail 2 (R)

**32D** Inner bracket 1 (L)  
**32E** Inner bracket 2 (R)  
**32F** Outer bracket 1 (L)

**32G** Outer bracket 2 (R)  
**AP** 2 screws (2x4 mm)



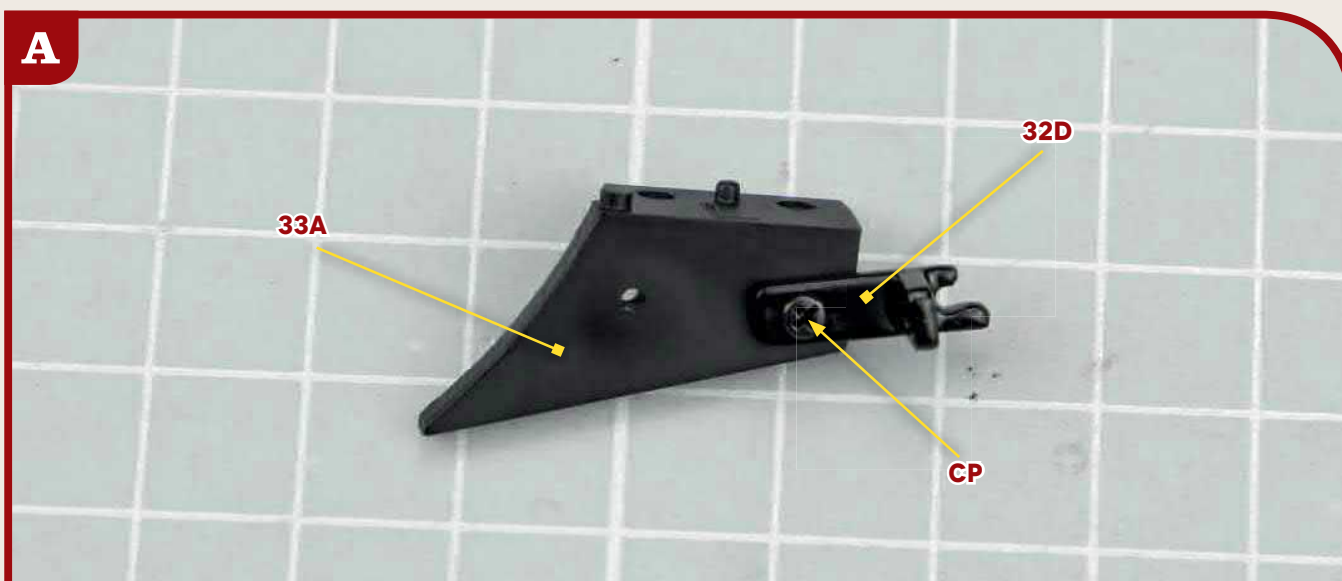
**33 PARTS LIST**



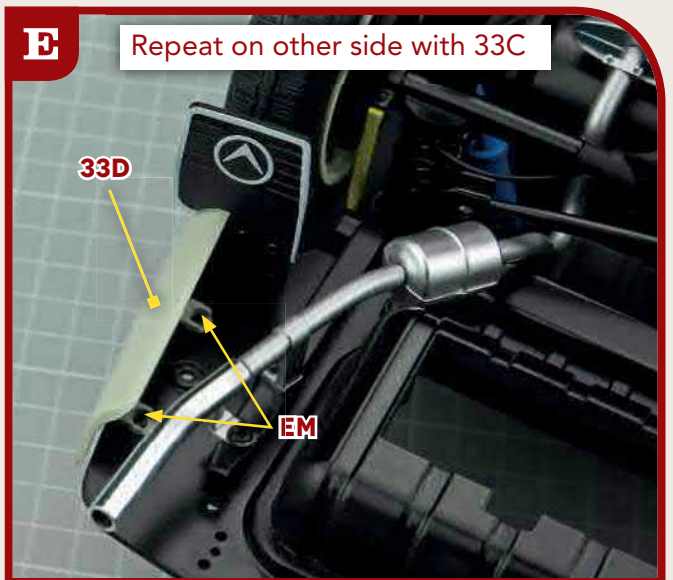
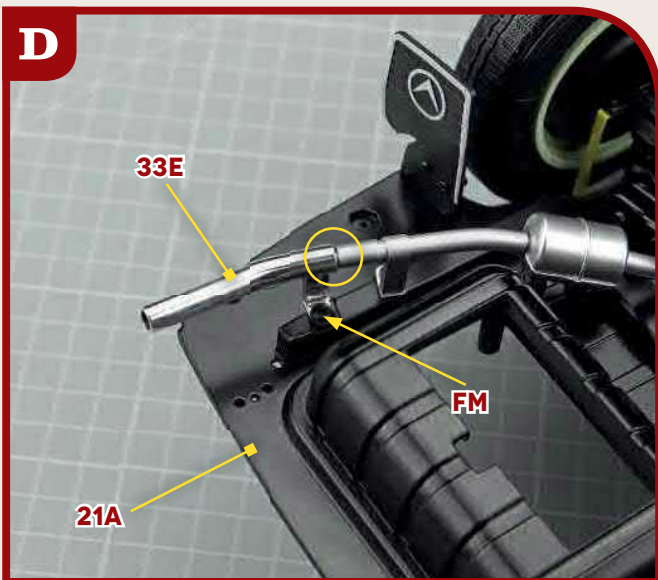
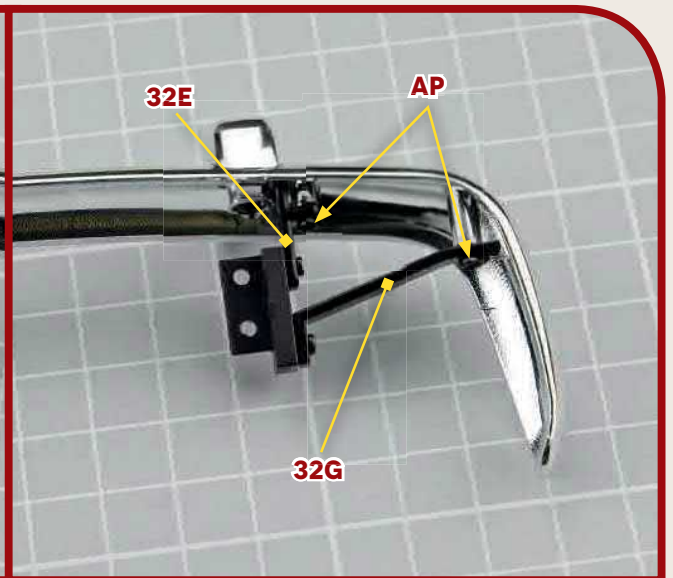
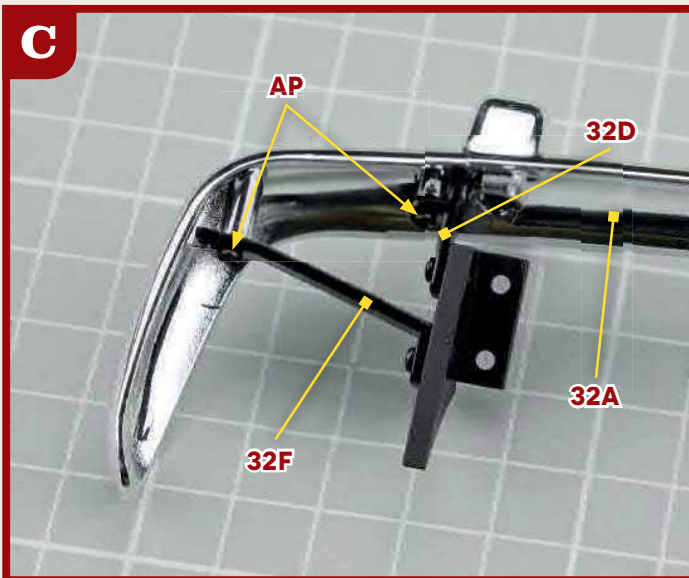
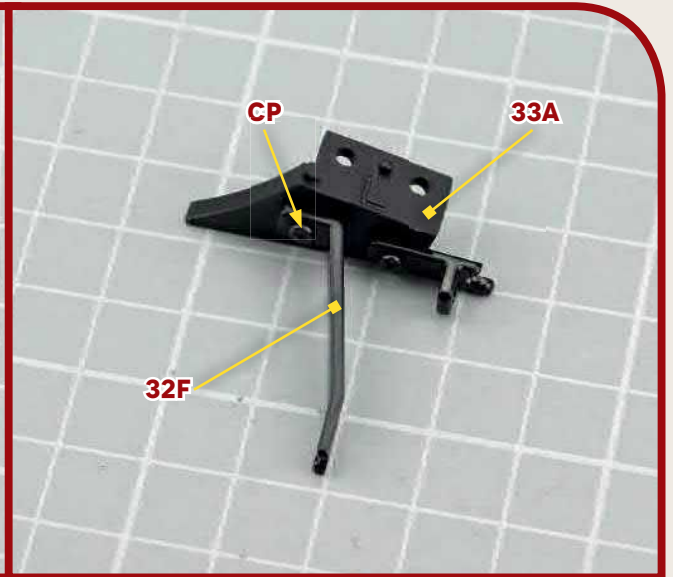
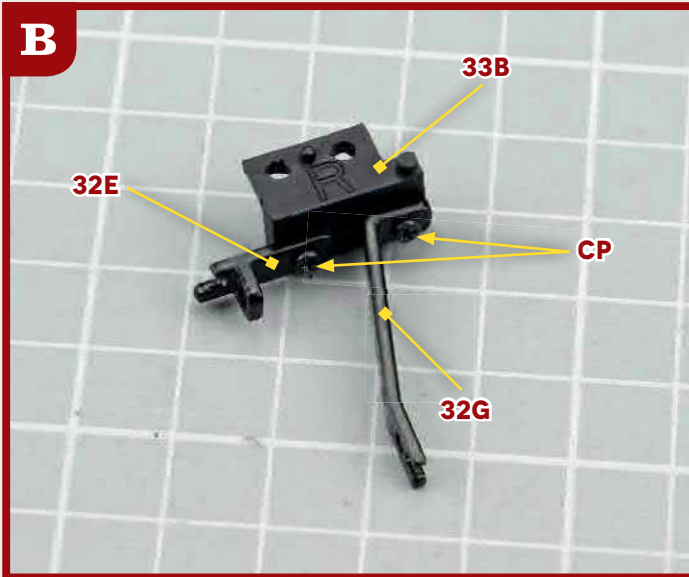
- 33A** Bumper mount 1 (L)
- 33B** Bumper mount 2 (R)
- 33C** Rear skirt 1 (L)
- 33D** Rear skirt 2 (R)

- 33E** Tailpipe
- EM** 4 screws (1.7x4 mm)
- FM** 1 screw (2.3x4 mm)

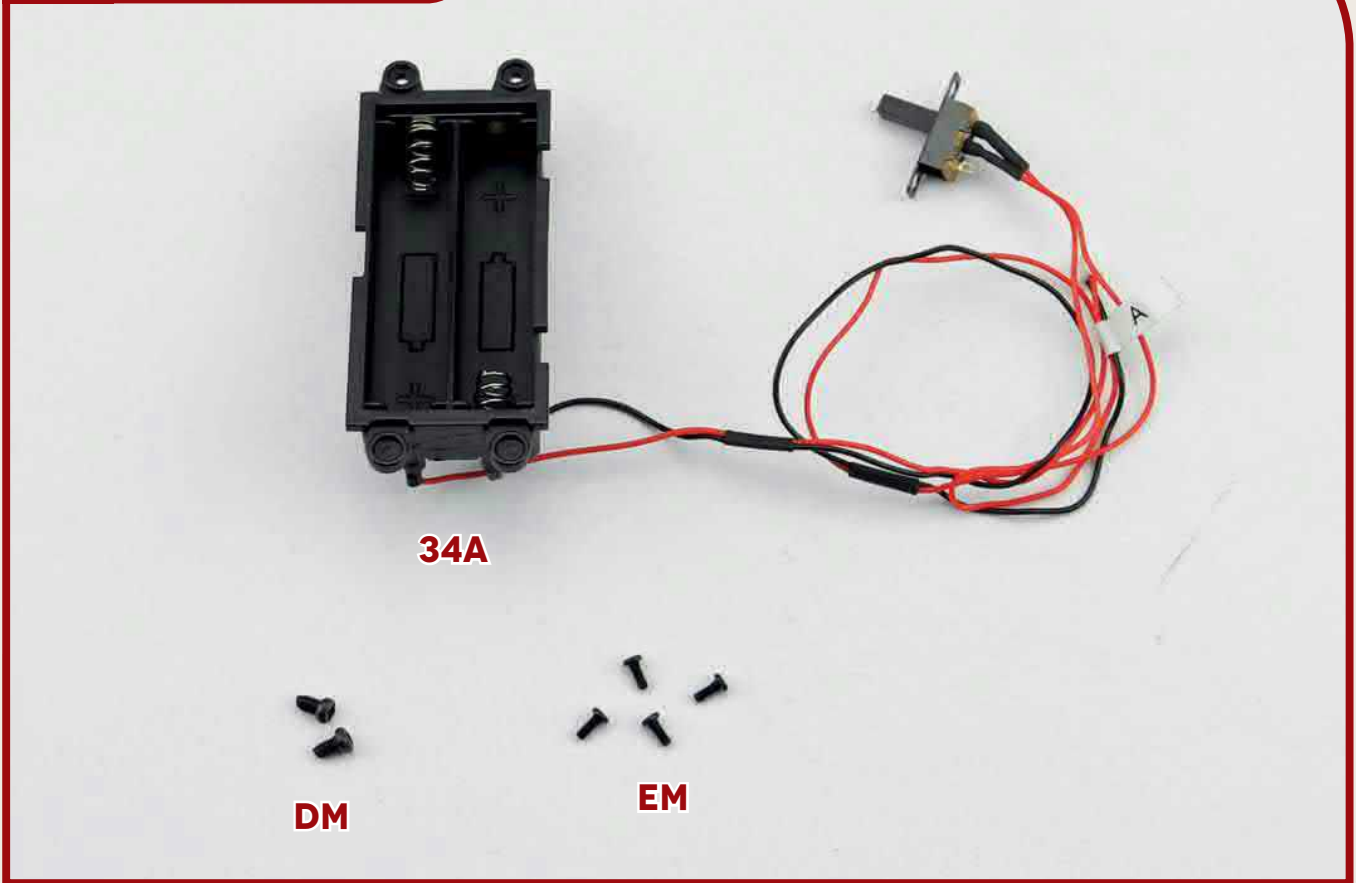
- AP** 4 screws (2x4 mm)
- CP** 4 screws (1.7x4 mm)







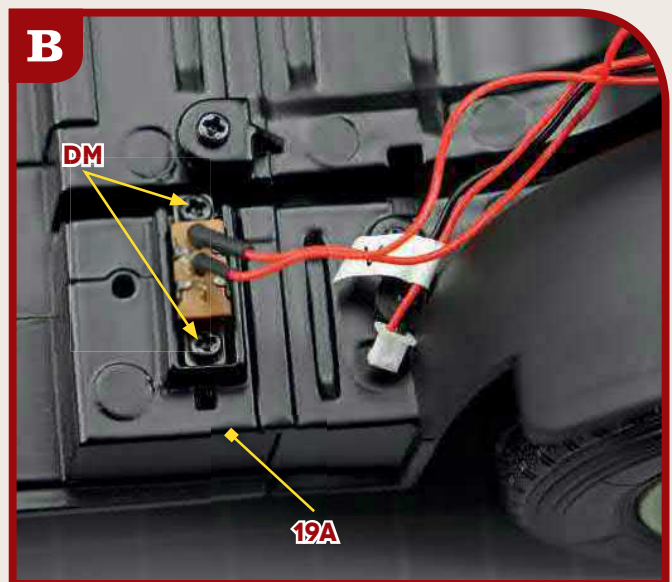
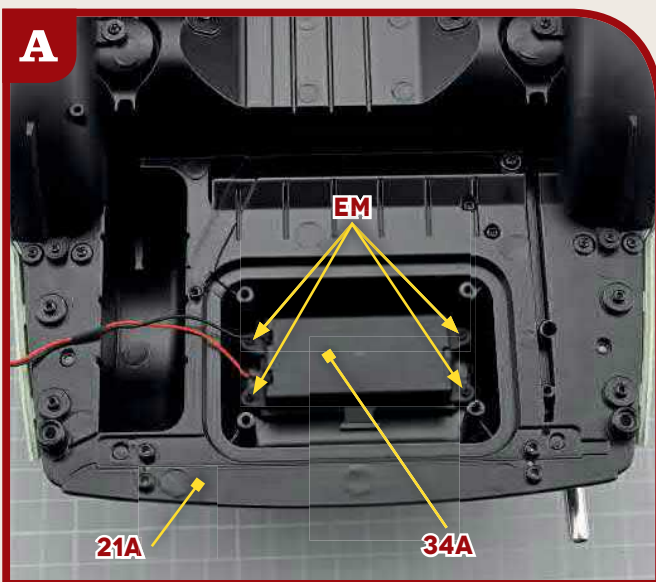
**34 PARTS LIST**



**34A** Battery holder

**DM** 2 screws (2.3x4 mm)

**EM** 4 screws (1.7x4 mm)

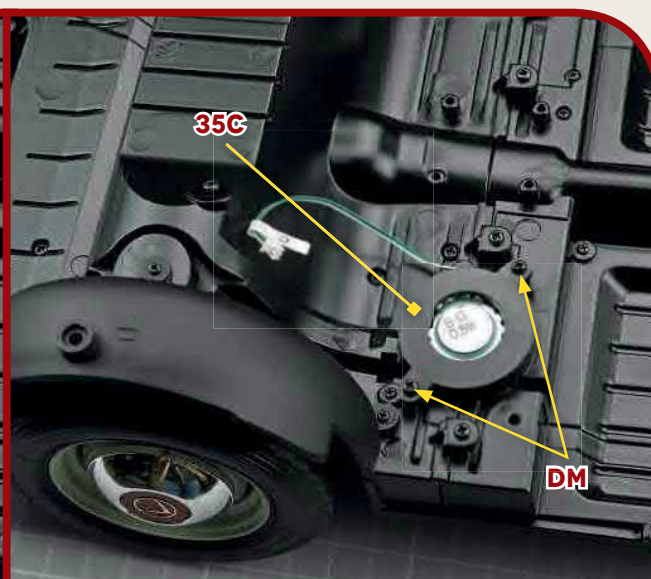
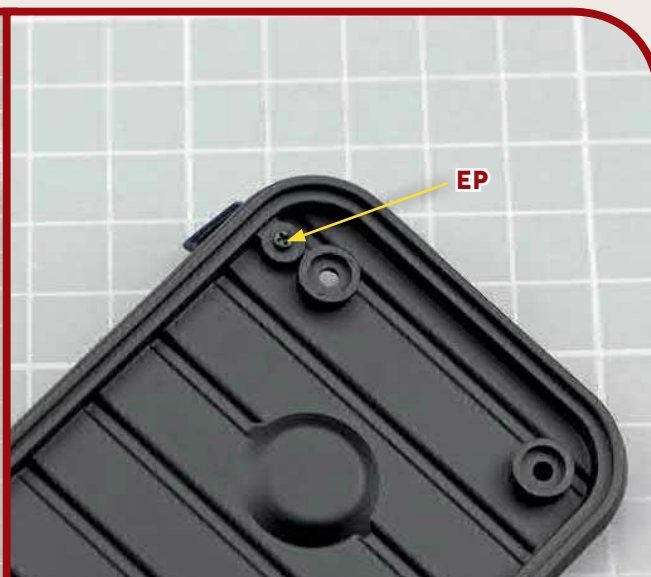


**35 PARTS LIST**



- 35A** Cover
- 35B** Detail
- 35C** Speaker bracket
- 35D** Speaker

- DM** 2 screws (2.3x4 mm)
- EP** 1 screw (1.5x4 mm)

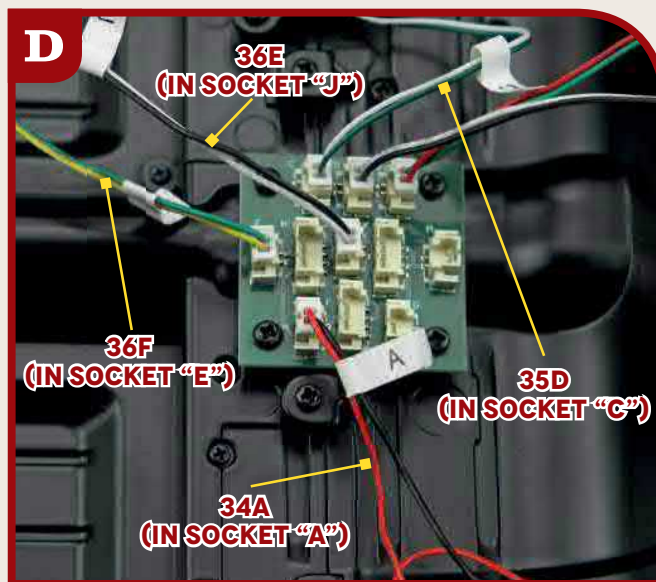
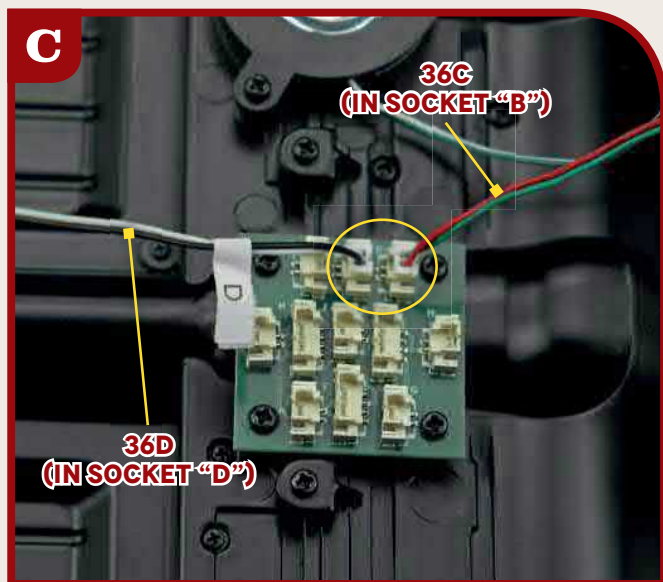
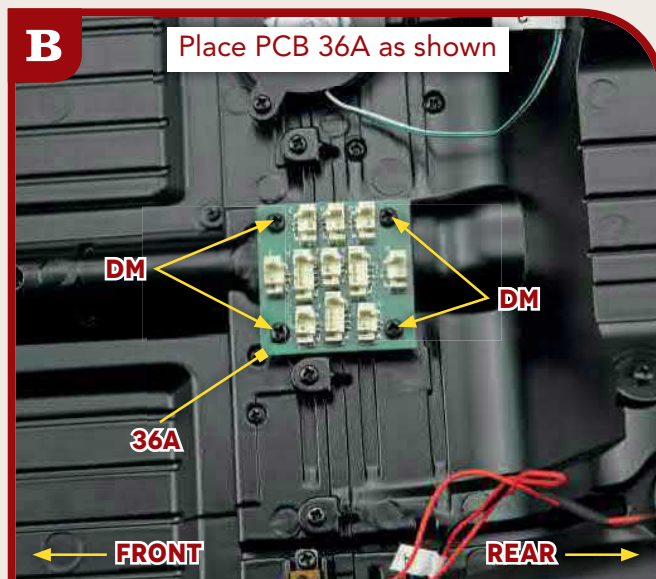
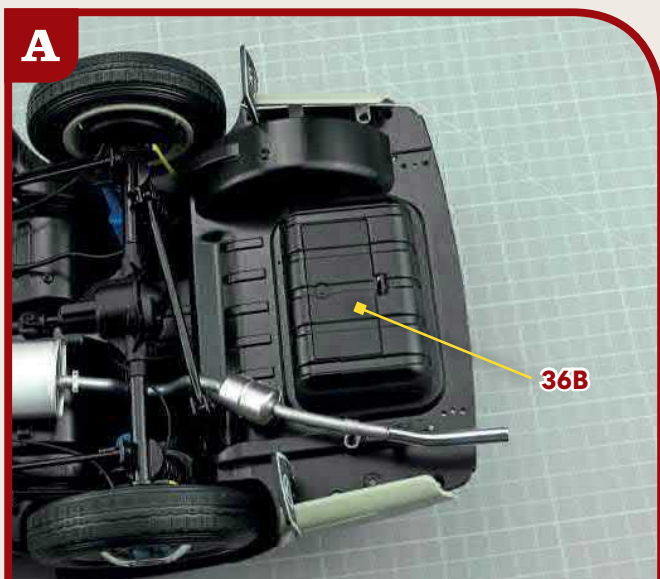


# STEP BY STEP 36

## 36 PARTS LIST



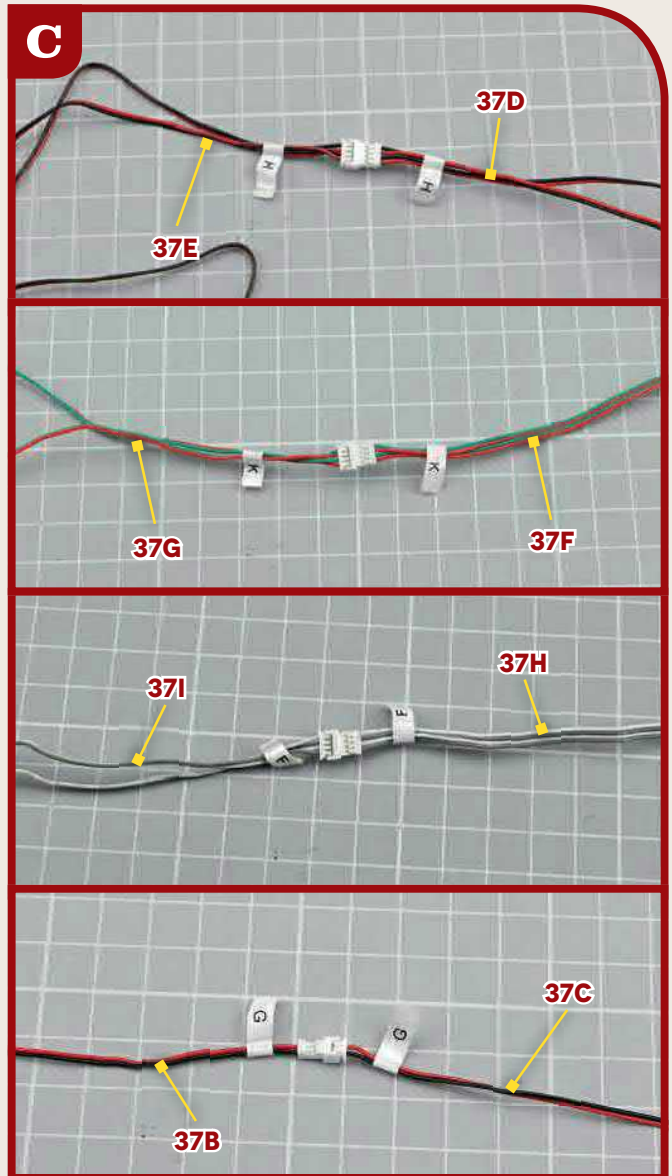
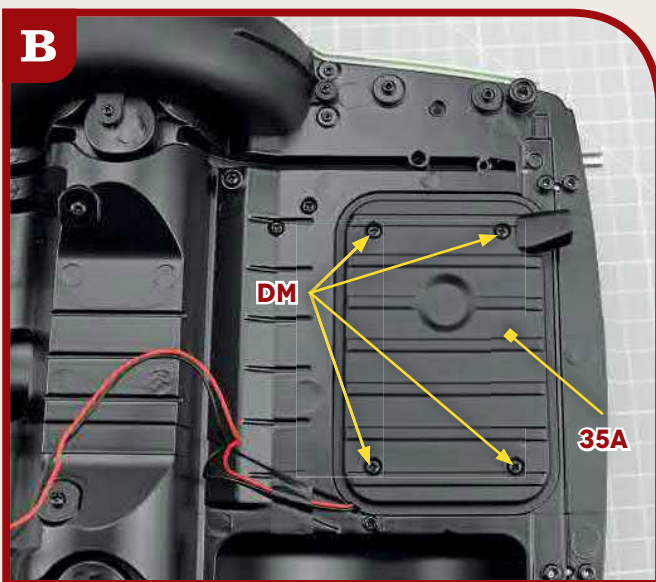
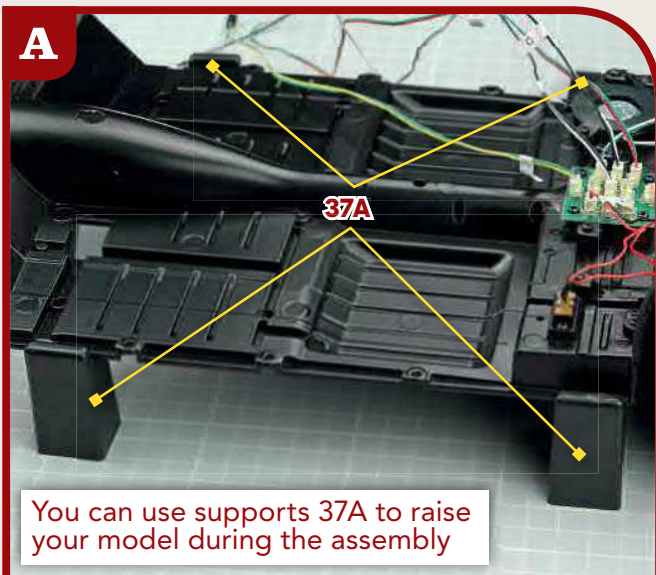
- 36A PCB
- 36B Cover
- 36C Wire 1 ("B")
- 36D Wire 2 ("D")
- 36E Wire 3 ("J")
- 36F Wire 4 ("E")
- DM 4 screws (2.3x4 mm)

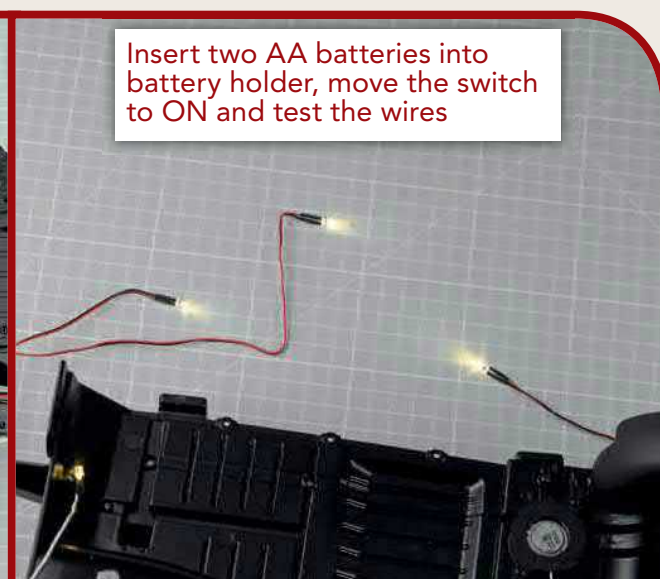
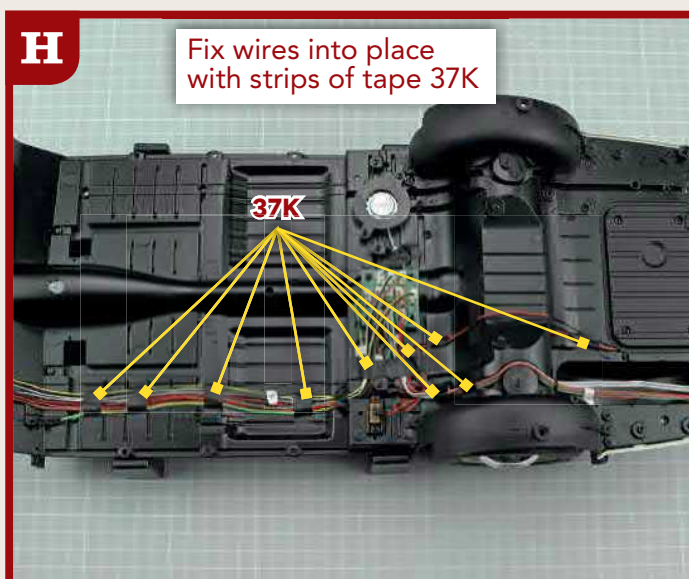
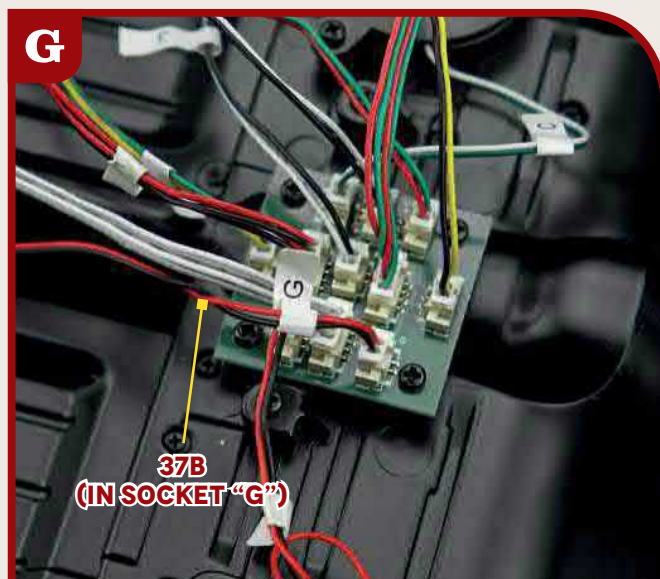
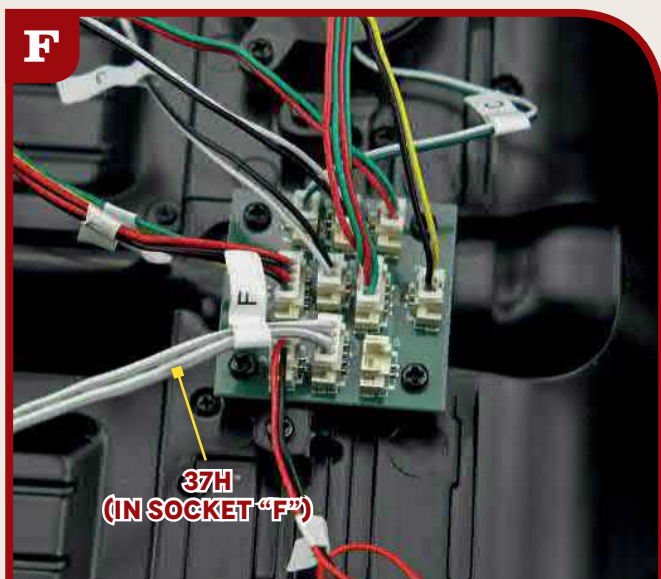
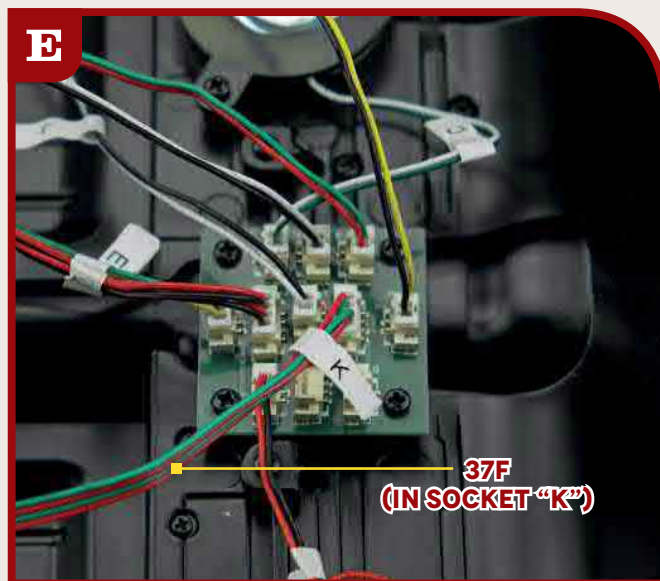
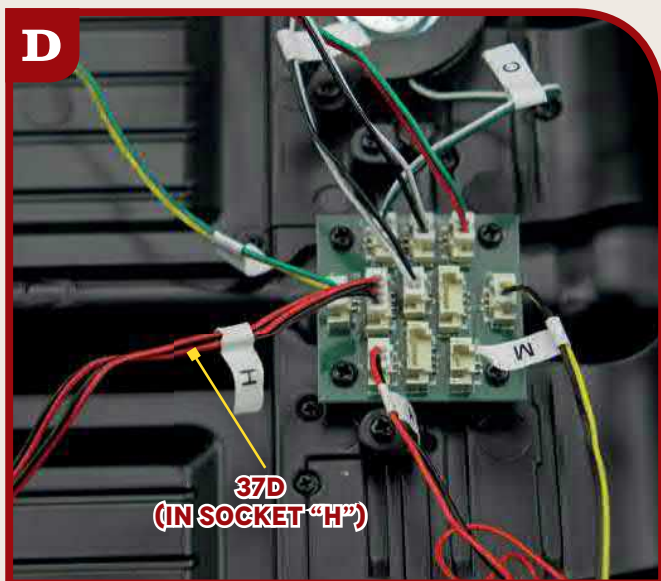


**37 PARTS LIST**

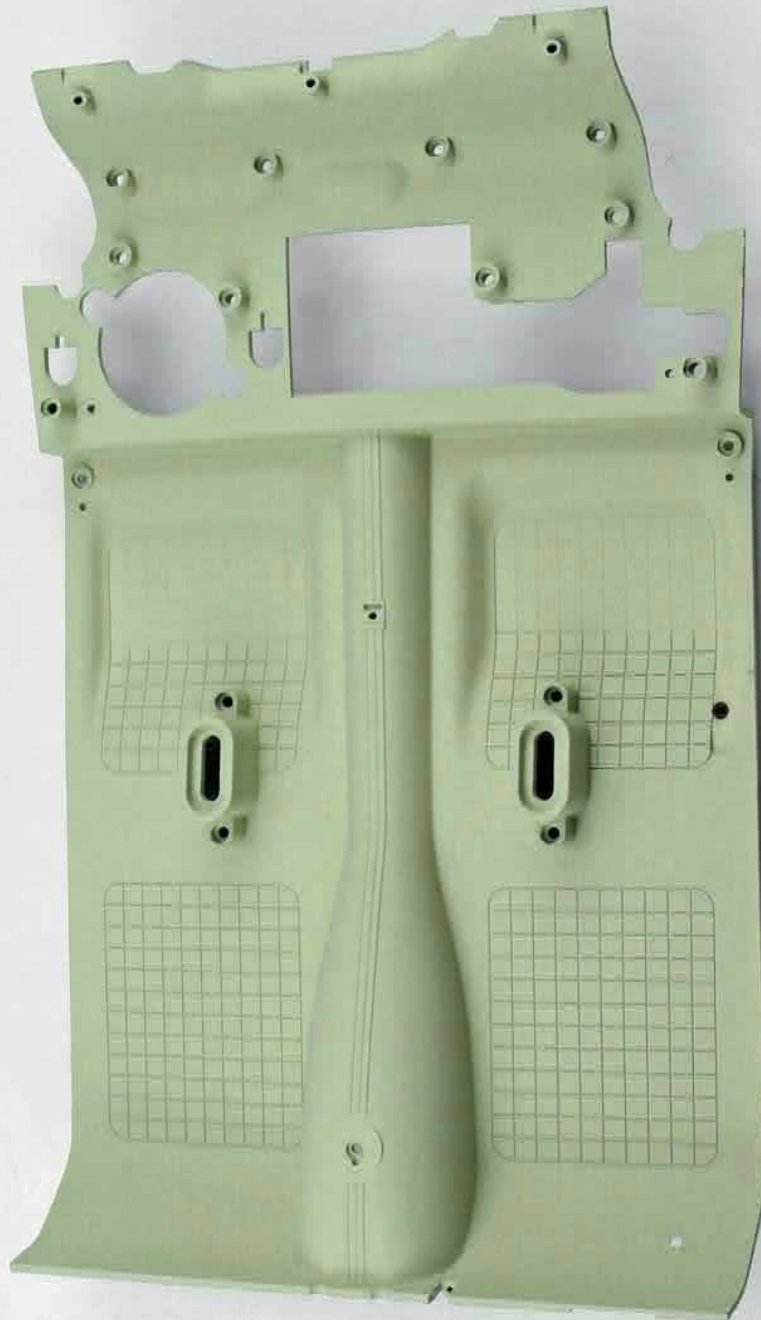


- 37A** Model supports
- 37B** Wire 1 ("G")
- 37C** Wire 2 ("G")
- 37D** Wire 3 ("H")
- 37E** Wire 4 ("H")
- 37F** Wire 5 ("K")
- 37G** Wire 6 ("K")
- 37H** Wire 7 ("F")
- 37I** Wire 8 ("F")
- 37J** Wire 9 ("M")
- 37K** Tape
  
- DM** 4 screws (2.3x4 mm)





**38 PARTS LIST**



**38A** Floor – front section

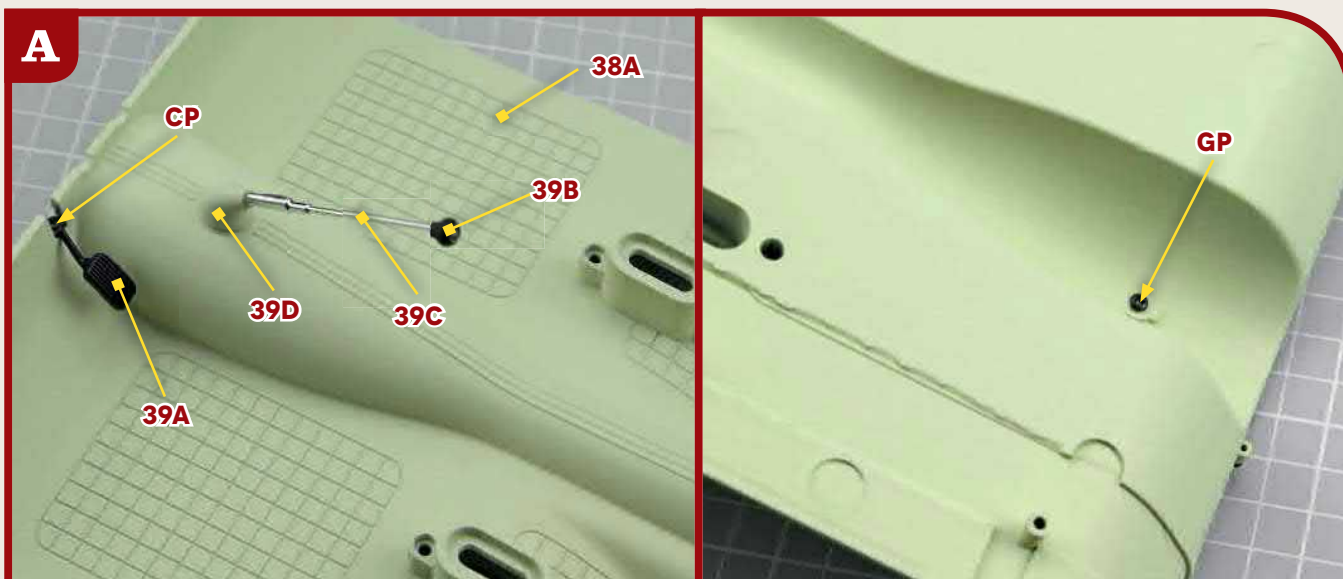
**39 PARTS LIST**



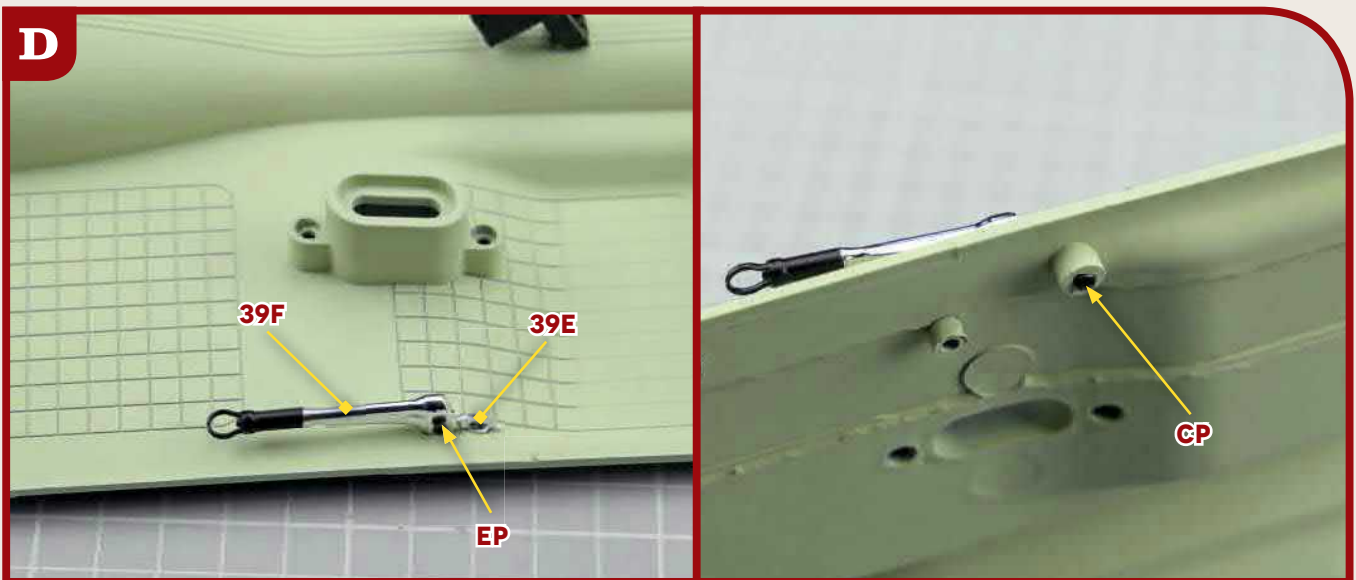
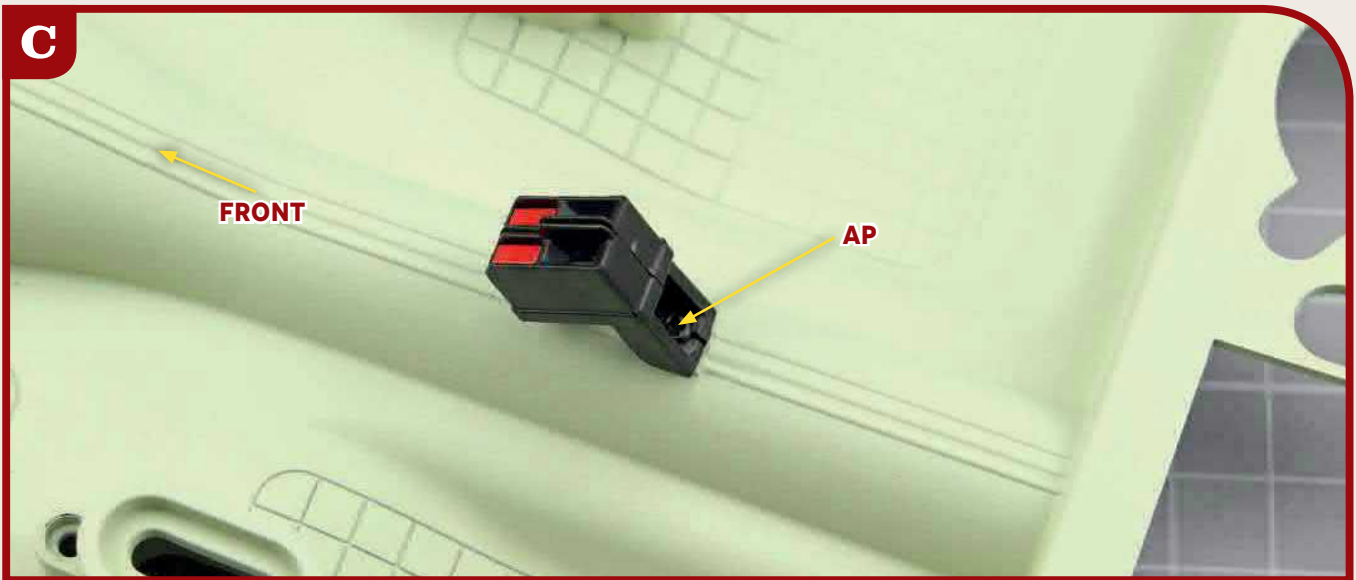
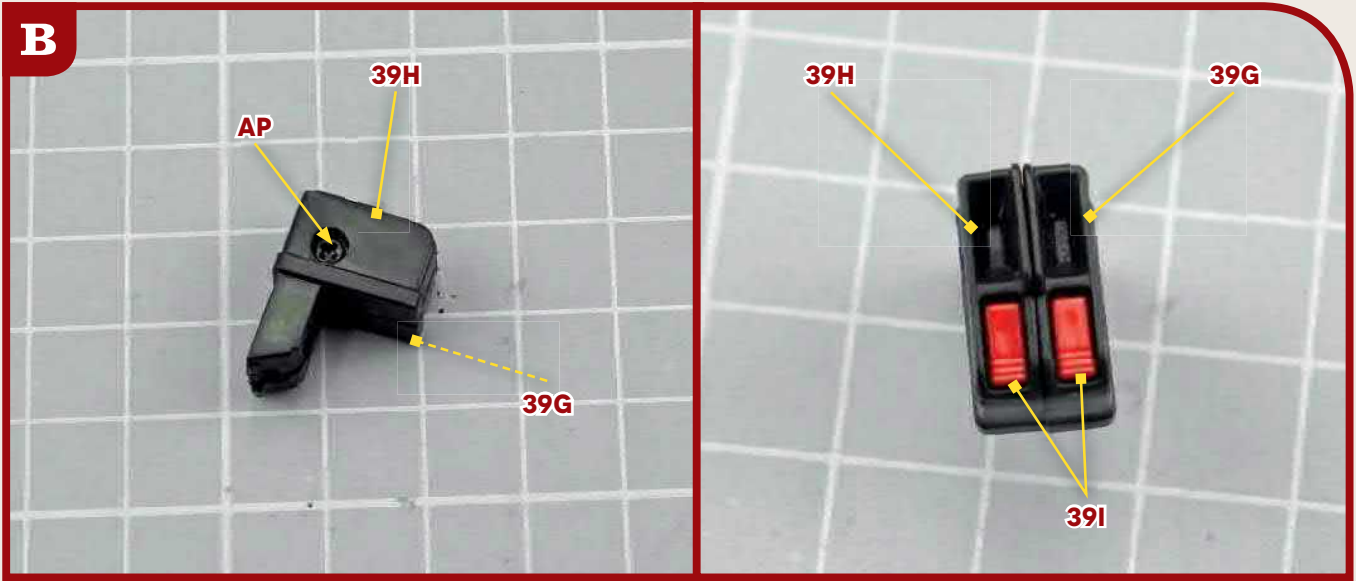
**39A** Gas pedal  
**39B** Gear knob  
**39C** Gear stick  
**39D** Gear stick mount  
**39E** Handbrake mount

**39F** Handbrake  
**39G** Seat belt buckle 1  
**39H** Seat belt buckle 2  
**39I** Buckle buttons

**AP** 2 screws (2x4 mm)  
**CP** 2 screws (1.7x4 mm)  
**EP** 1 screw (1.5x4 mm)  
**GP** 1 screw (2.3x4 mm)







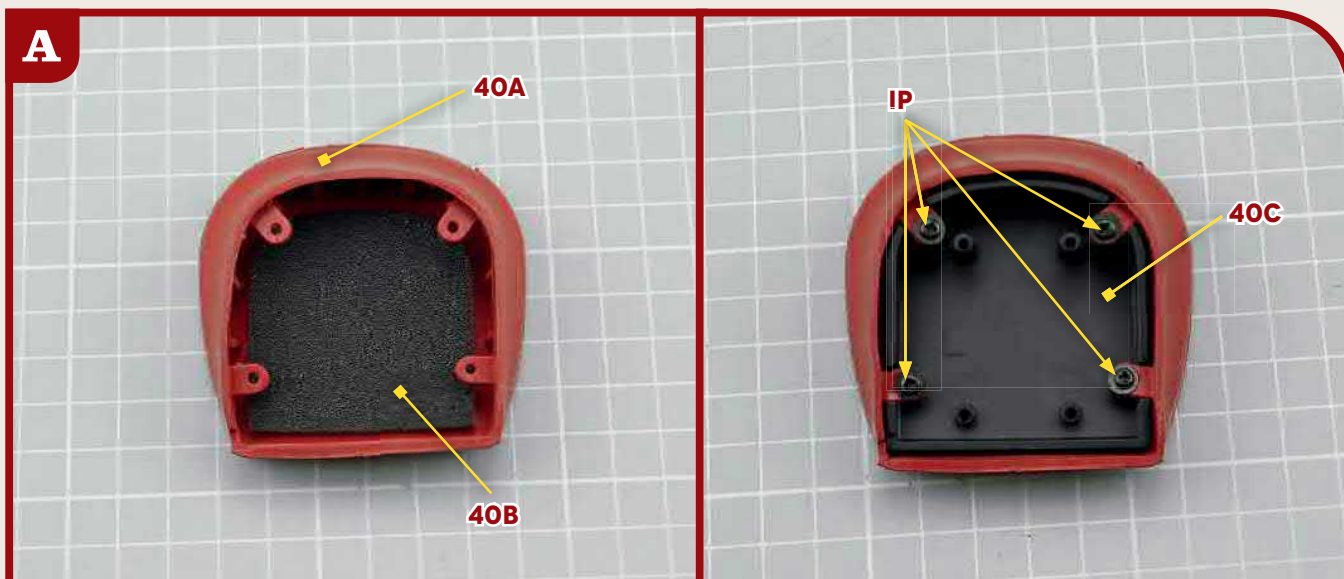
## 40 PARTS LIST



**40A** Driver's seat  
**40B** Seat padding

**40C** Seat mount

**IP** 4 screws (2.3x4 mm)



41 PARTS LIST

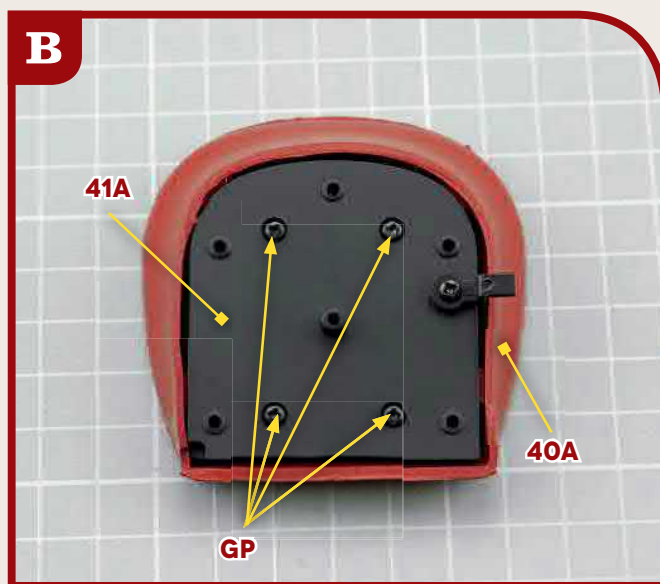
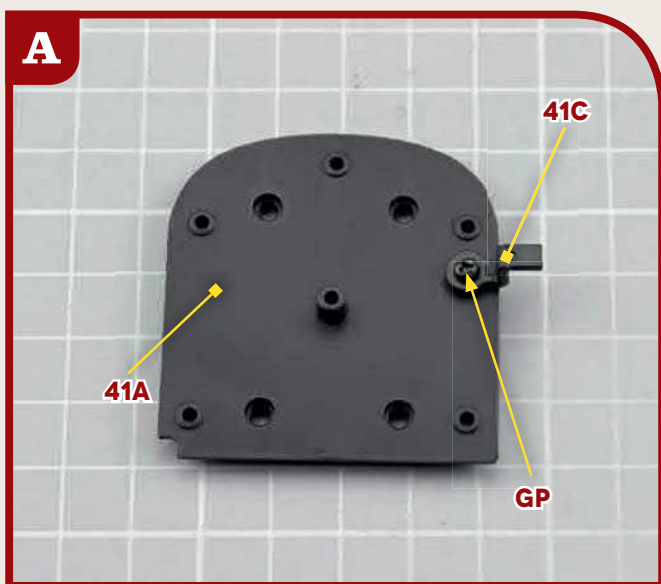


**41A** Seat's lower plate

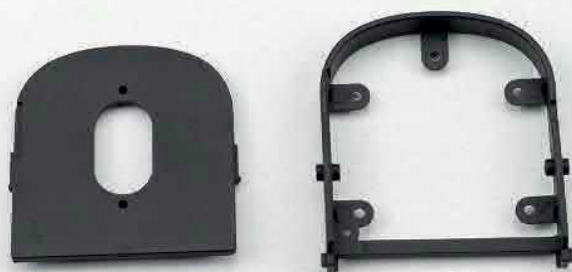
**GP** 5 screws (2.3x4 mm)

**41B** Lever

**41C** Bracket



**42 PARTS LIST**



**42A**

**42B**

**EP**

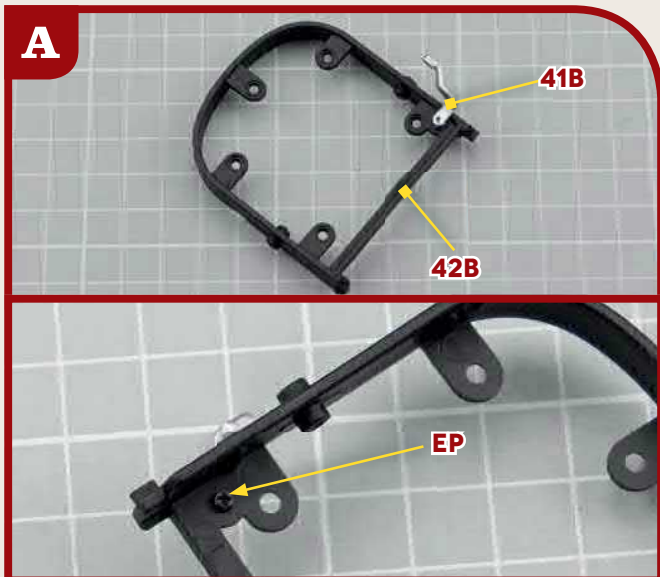
**GP**

**42A** Plate

**42B** Frame

**EP** 1 screw (1.5x4 mm)

**GP** 7 screws (2.3x4 mm)

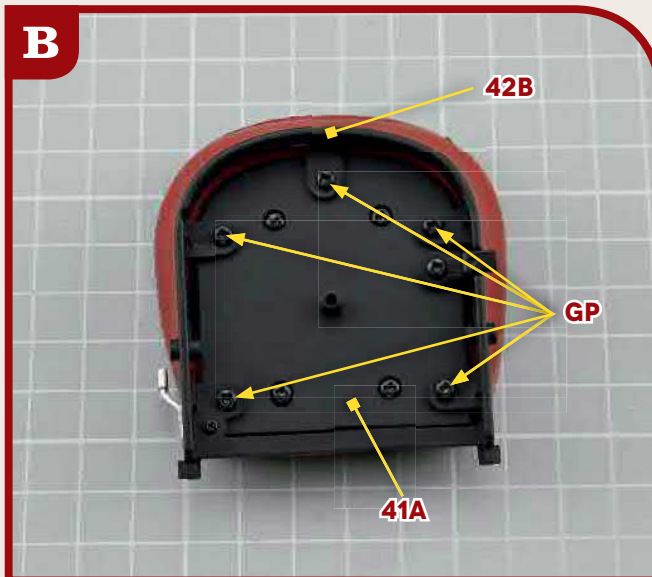


**A**

**41B**

**42B**

**EP**

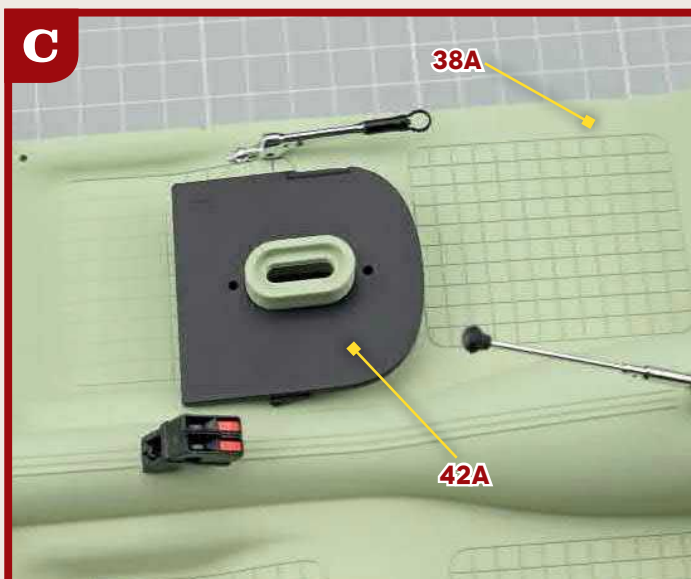


**B**

**42B**

**GP**

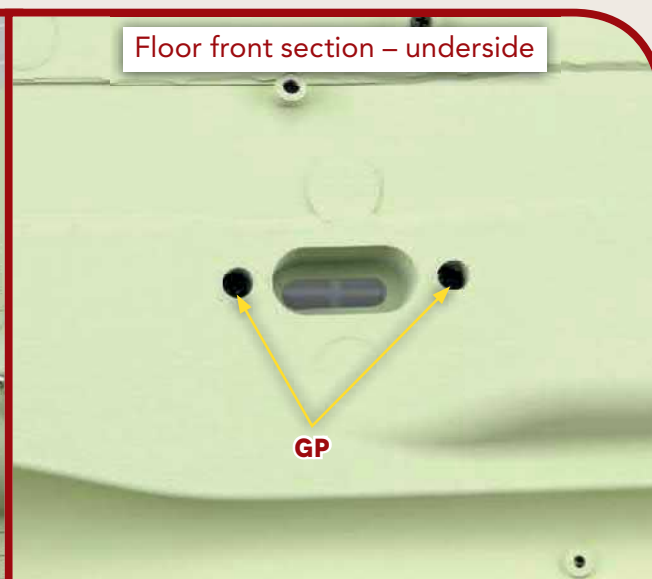
**41A**



**C**

**38A**

**42A**



Floor front section - underside

**GP**

43 PARTS LIST



43C



43B



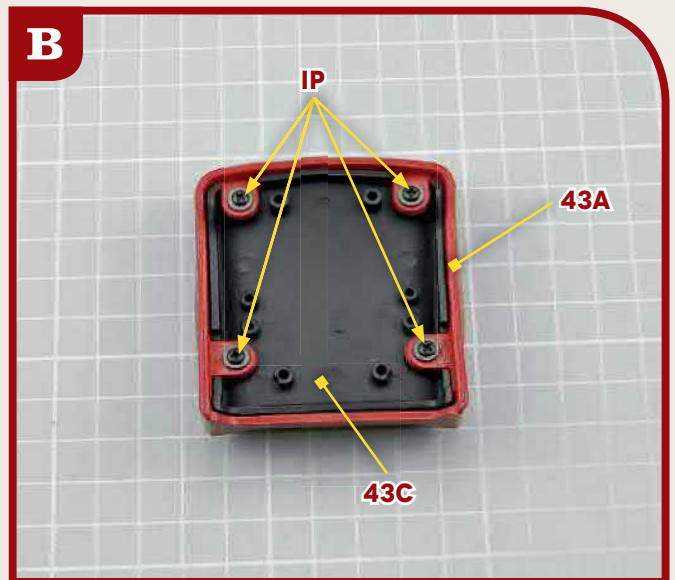
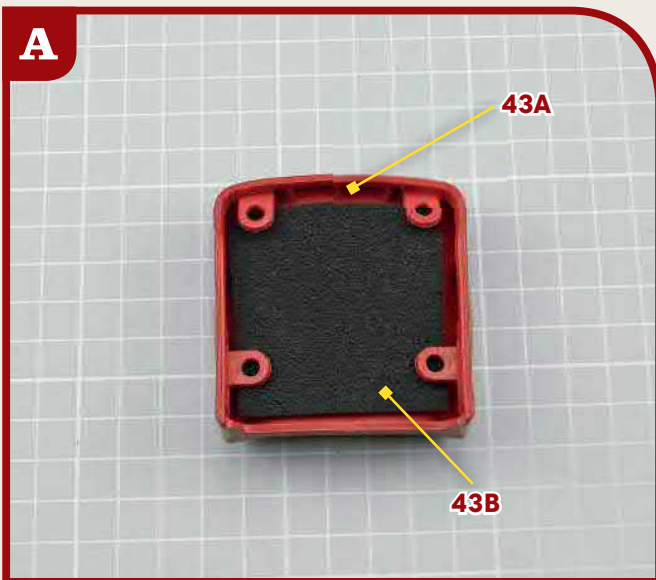
43A



IP

- 43A Seatback
- 43B Seatback padding
- 43C Seatback mount

- IP 4 screws (2.3x4 mm)

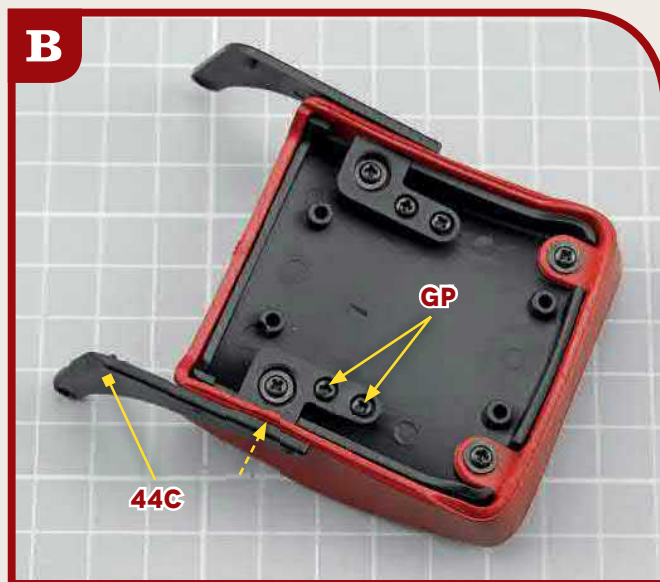


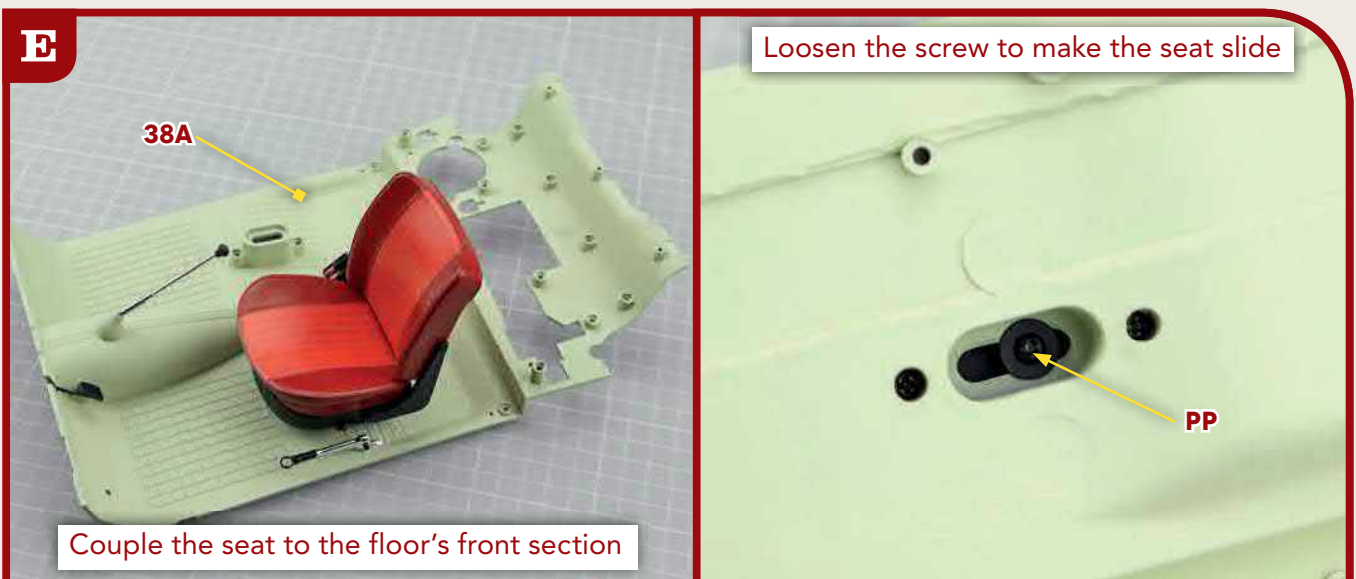
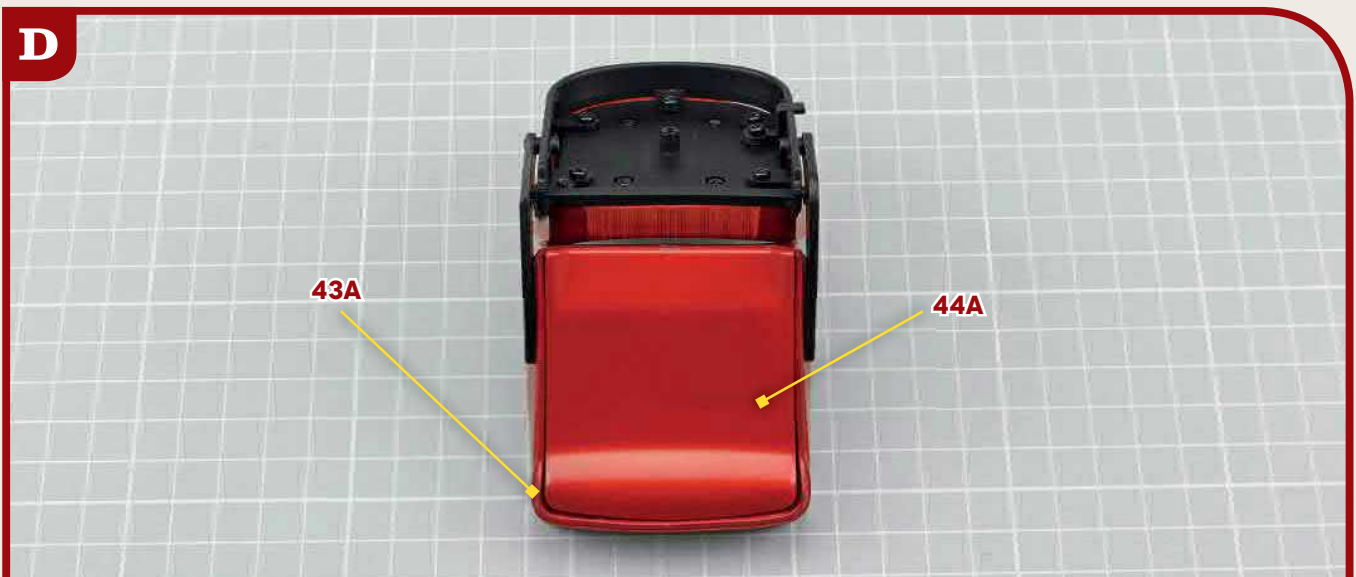
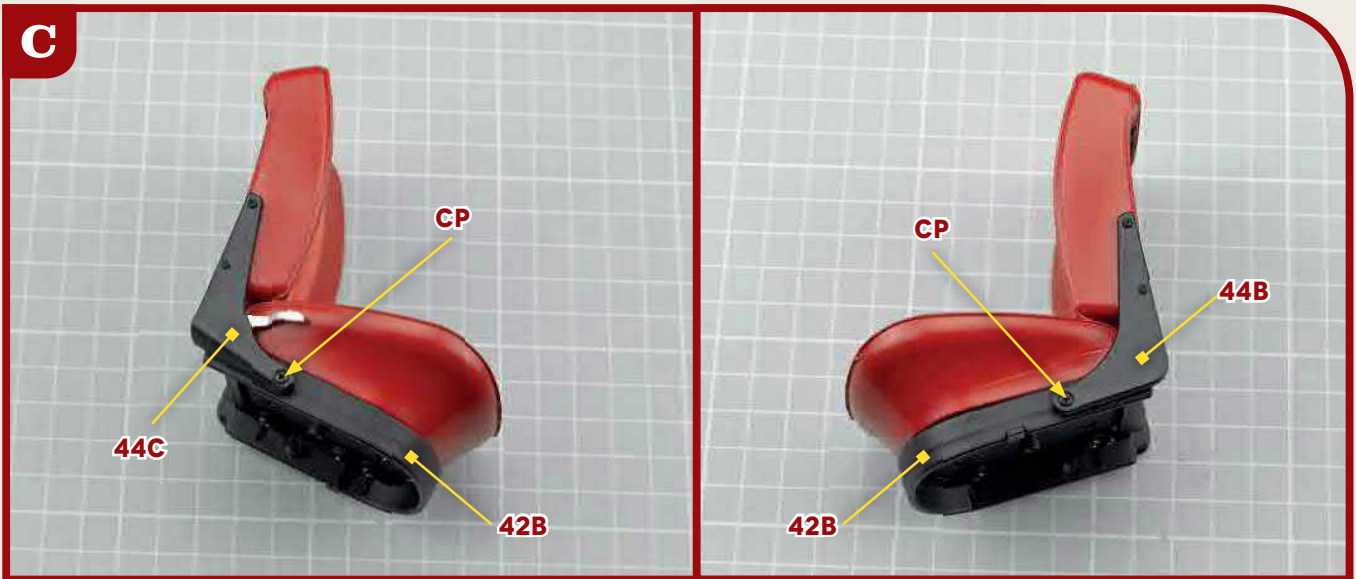
## 44 PARTS LIST



**44A** Seatback plate  
**44B** Bracket 1  
**44C** Bracket 2

**CP** 2 screws (1.7x4 mm)  
**GP** 4 screws (2.3x4 mm)  
**PP** 1 screw (2.3x4 mm)



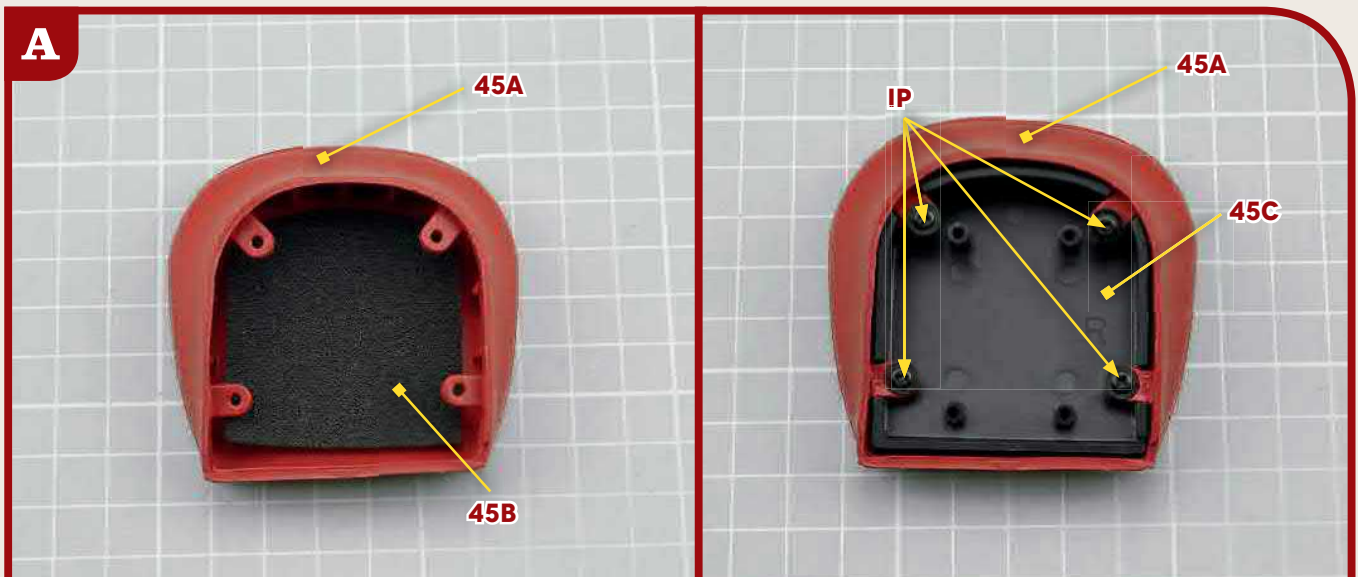


**45 PARTS LIST**



- 45A** Passenger's seat
- 45B** Seat padding
- 45C** Seat mount

**IP** 4 screws (2.3x4 mm)





46 PARTS LIST

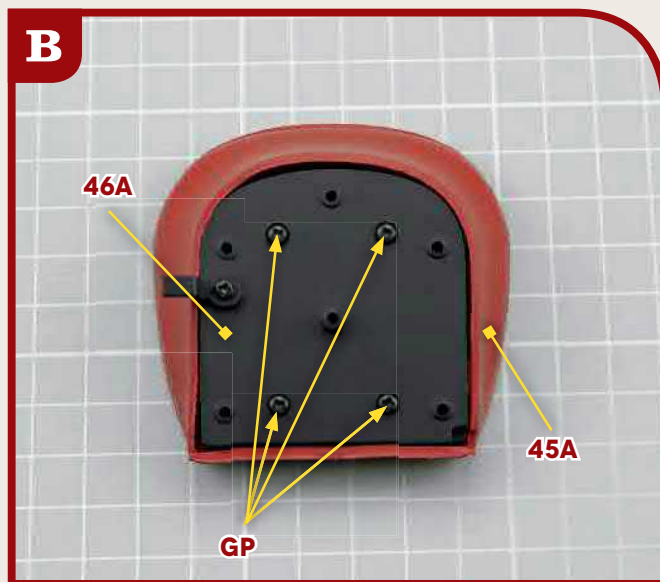
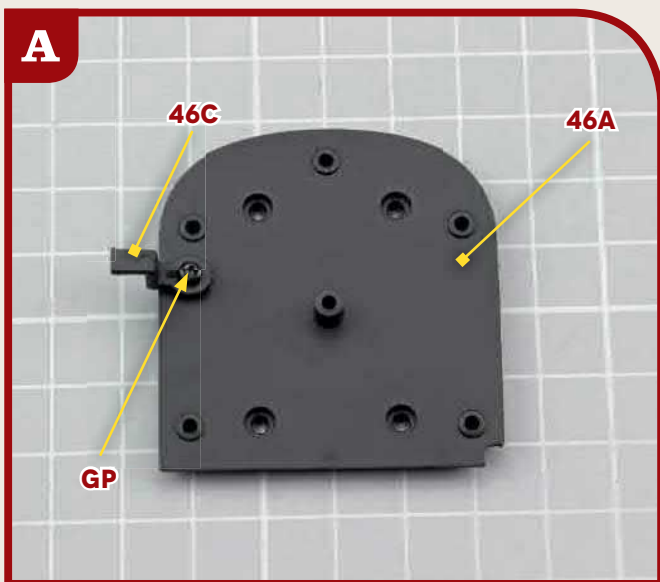


**46A** Seat's lower plate

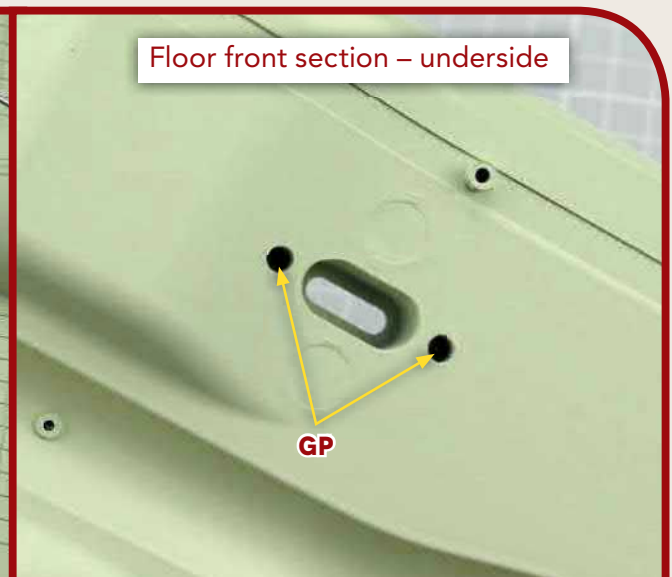
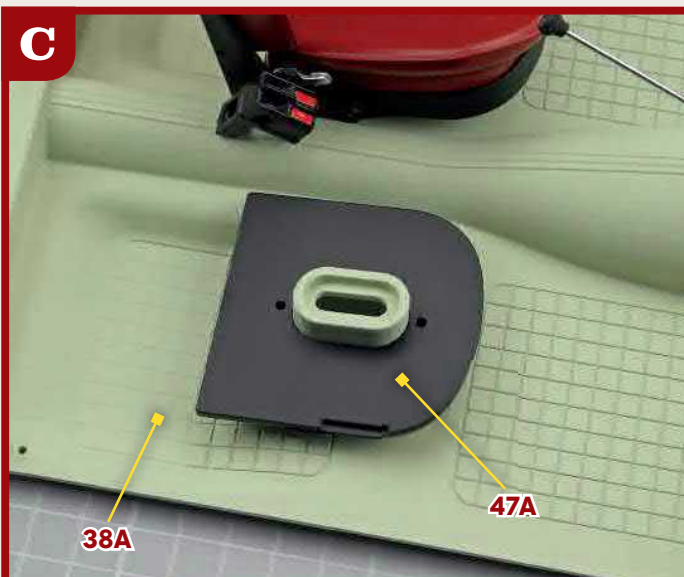
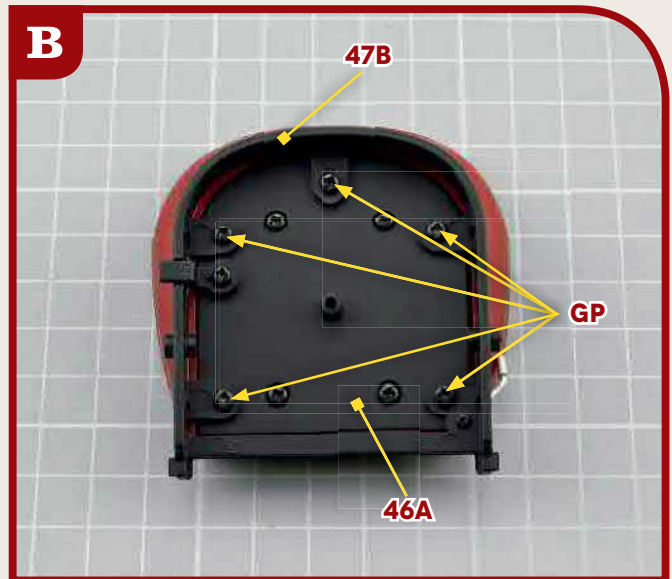
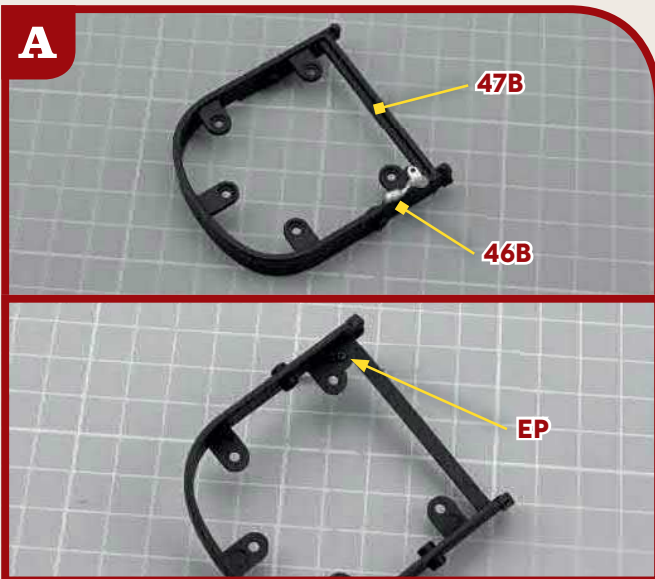
**GP** 5 screws (2.3x4 mm)

**46B** Lever

**46C** Bracket



## 47 PARTS LIST

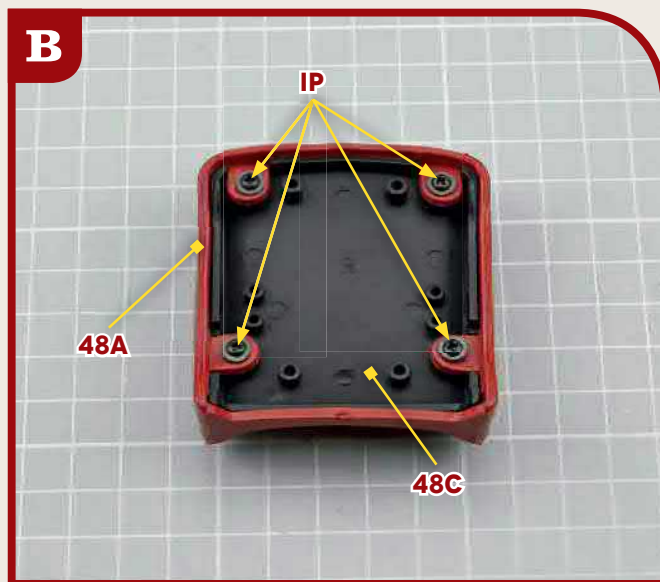
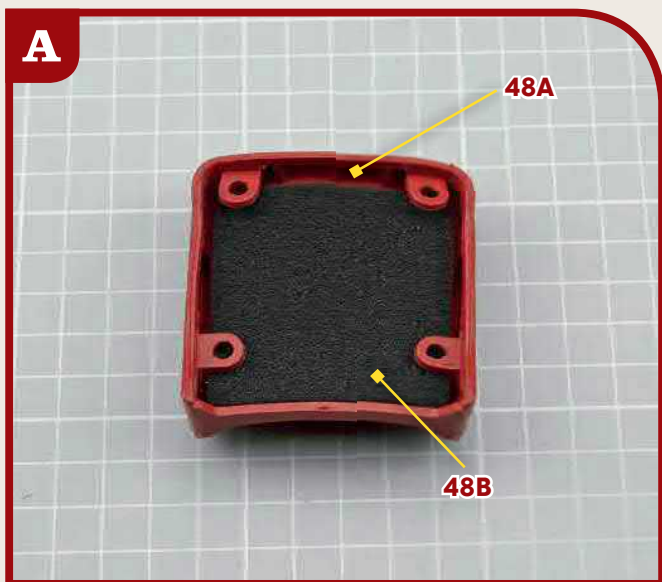


48 PARTS LIST



- 48A** Seatback
- 48B** Seatback padding
- 48C** Seatback mount

**IP** 4 screws (2.3x4 mm)

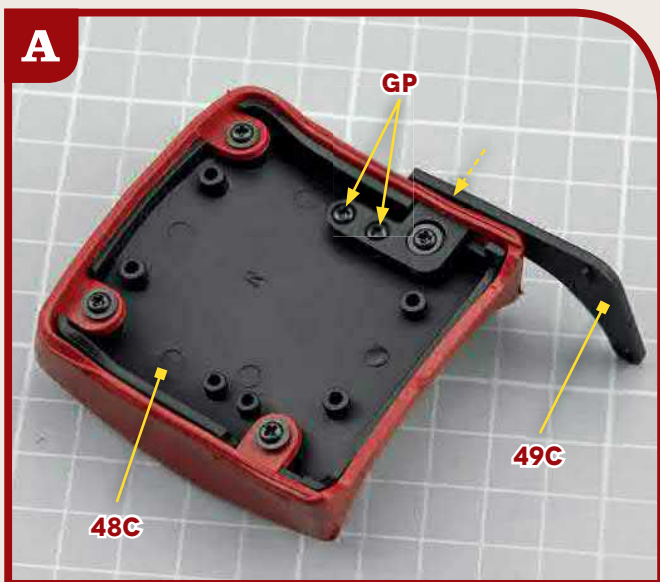


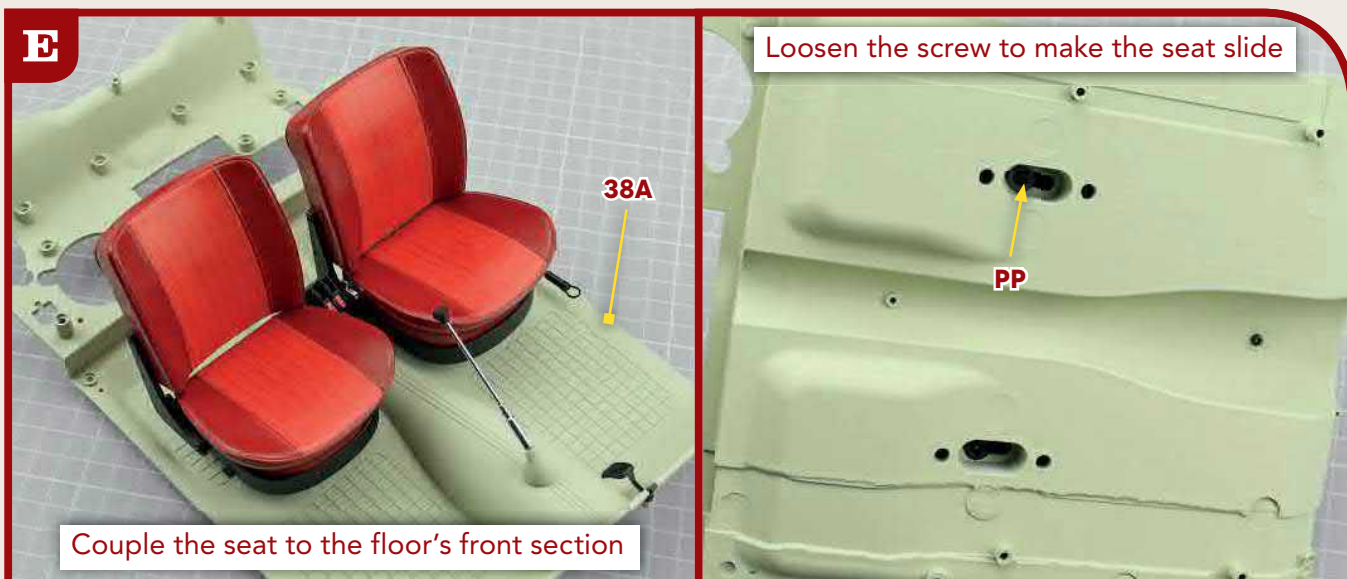
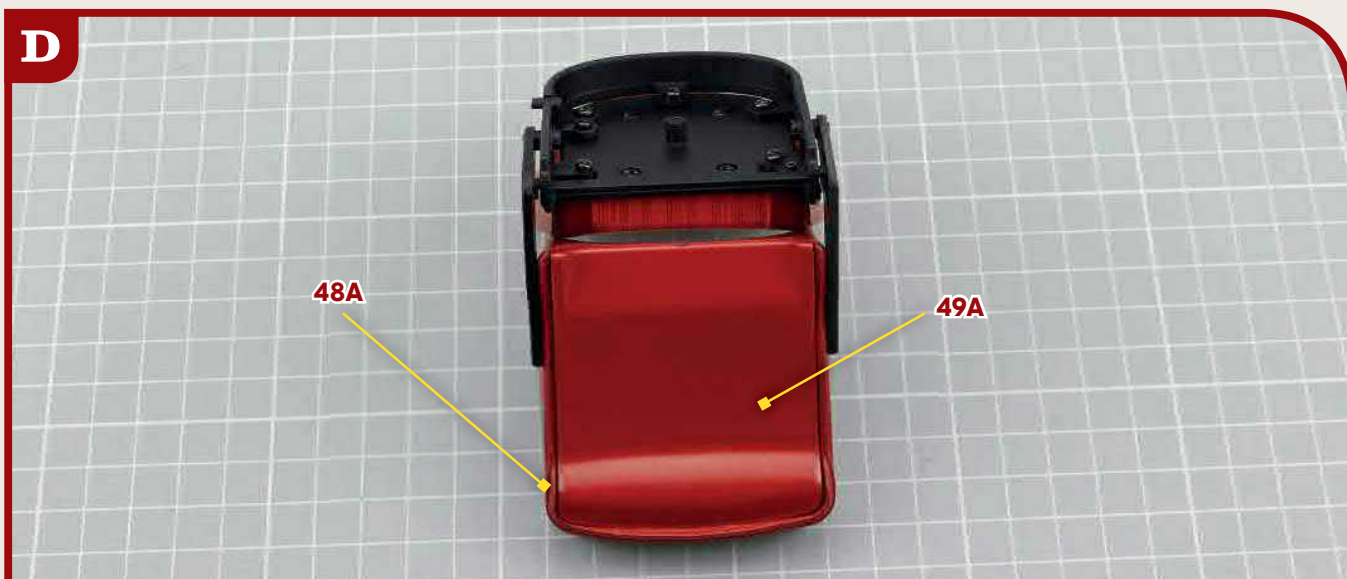
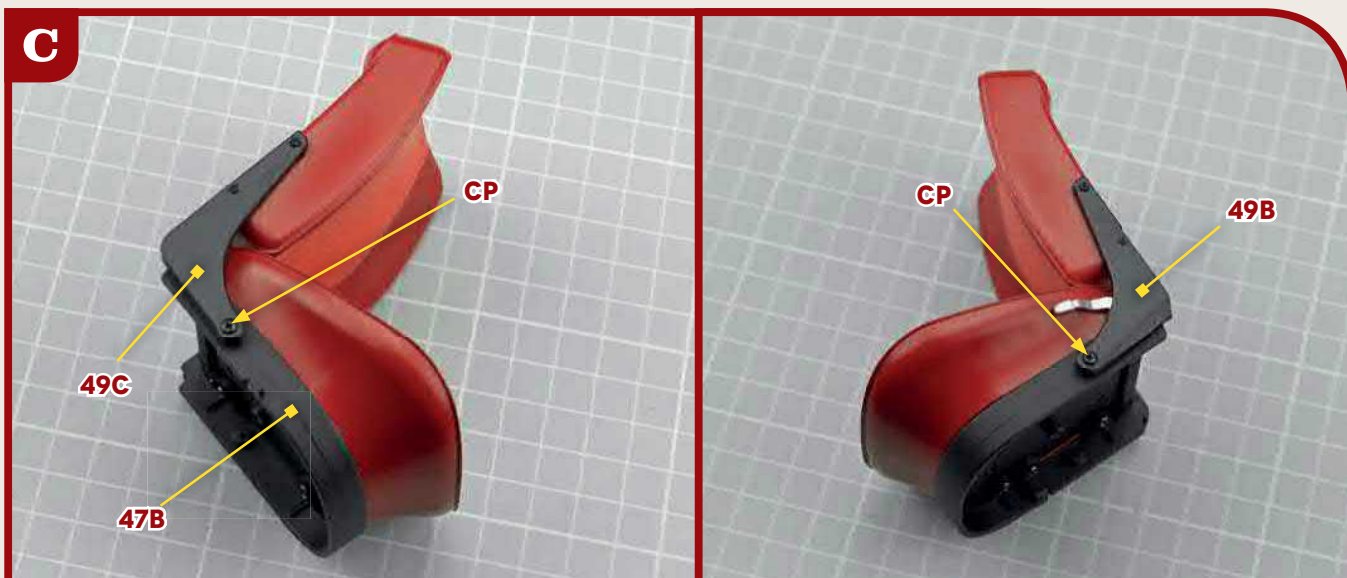
**49 PARTS LIST**



**49A** Seatback plate  
**49B** Bracket 1  
**49C** Bracket 2

**CP** 2 screws (1.7x4 mm)  
**GP** 4 screws (2.3x4 mm)  
**PP** 1 screw (2.3x4 mm)





**50 PARTS LIST**

**50A**



**50B**



- 50A** Rear seat padding
- 50B** Rear seat mount

51 PARTS LIST

51A Rear seat

GP 12 screws (2.3x4 mm)



51A



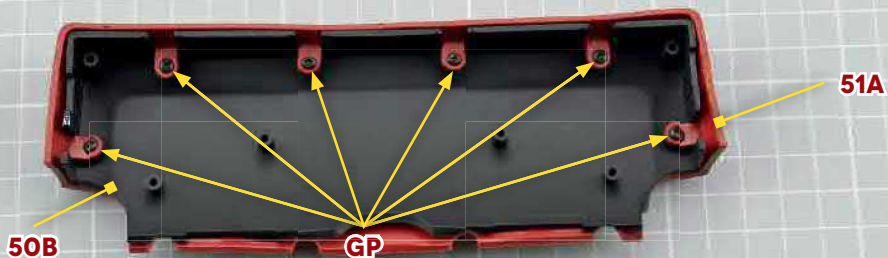
GP

A



50A

51A

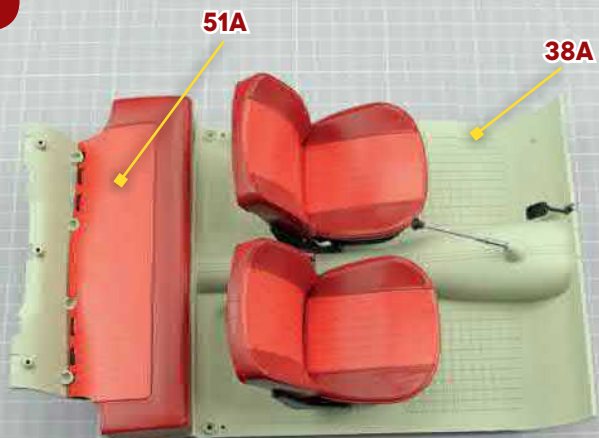


50B

GP

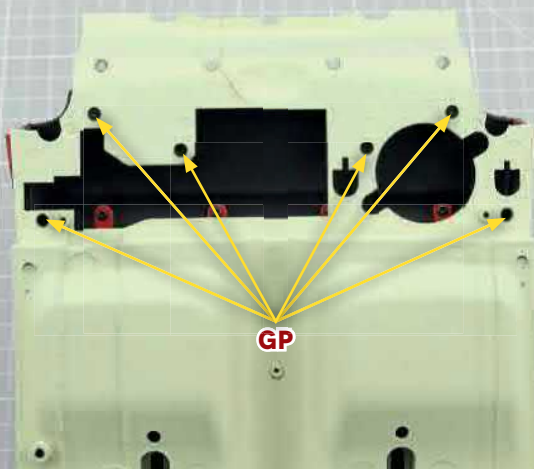
51A

B



51A

38A



GP

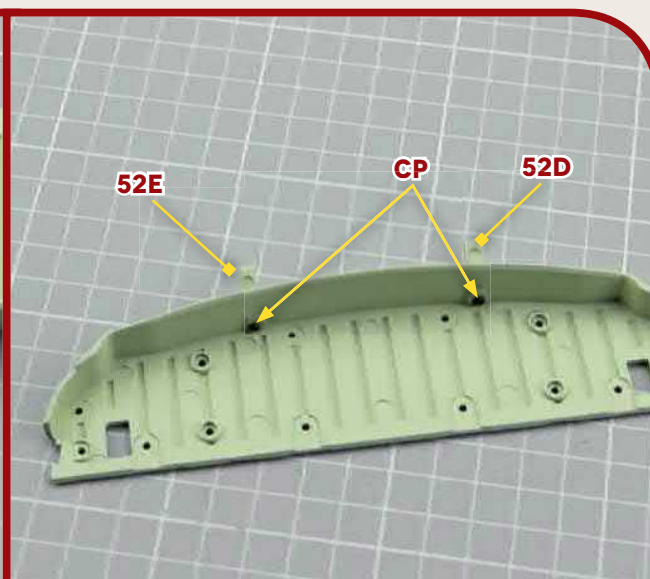
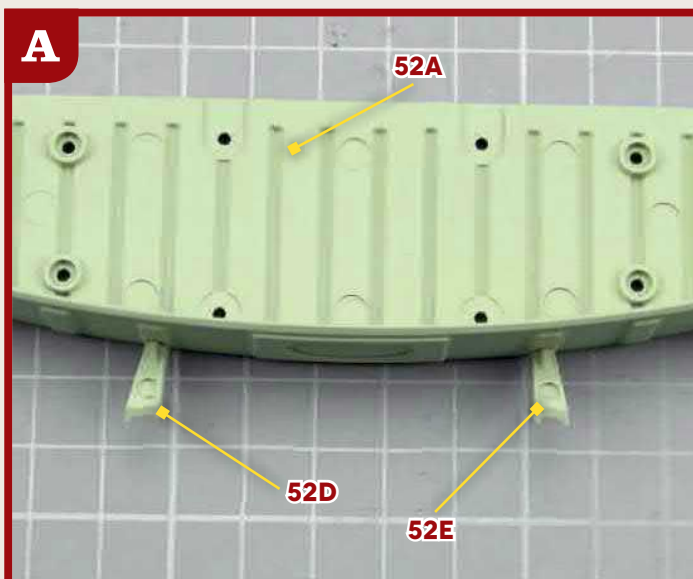
**52 PARTS LIST**



**52A** Boot roof  
**52B** Mount 1  
**52C** Mount 2  
**52D** Bracket 1

**52E** Bracket 2  
**52F** Buckle  
**52G** Belt

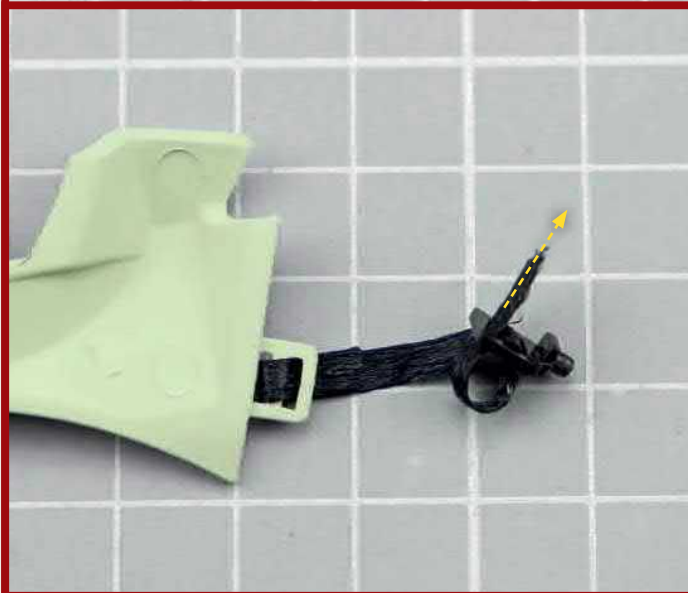
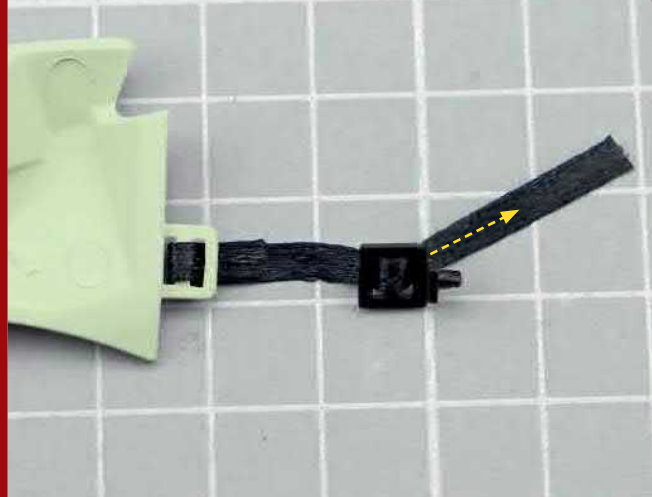
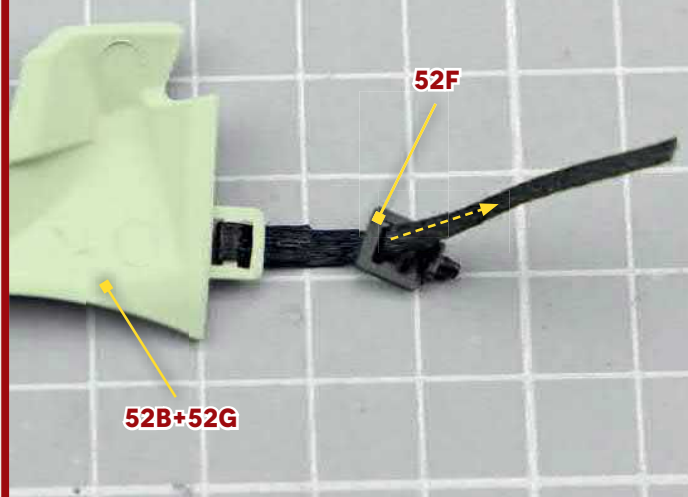
**CP** 4 screws (1.7x4 mm)



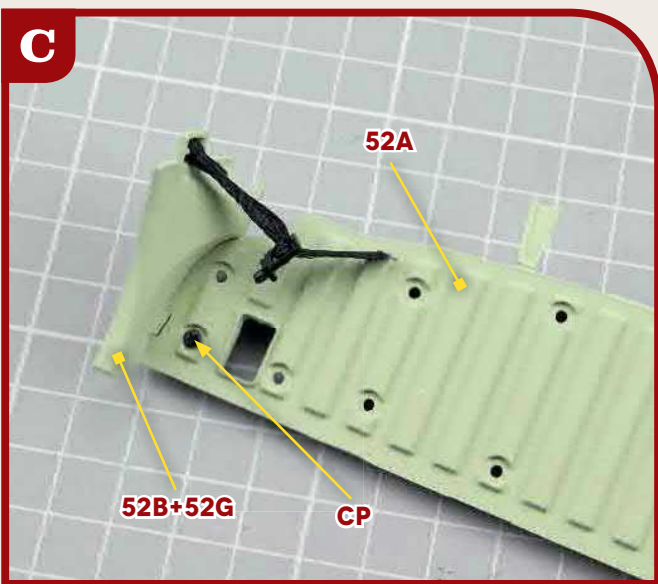


**B**

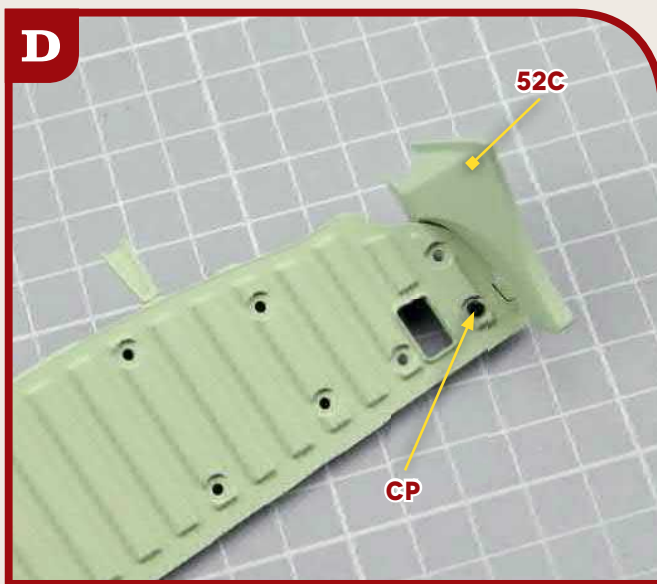
Couple buckle 52F to belt as shown



**C**



**D**



**53 PARTS LIST**



**53A**



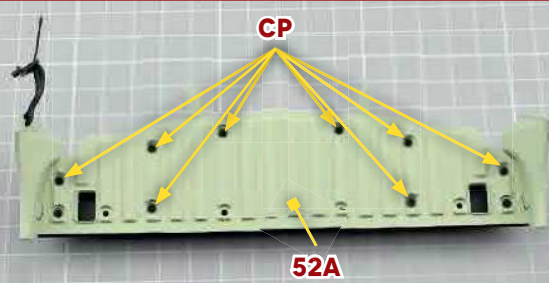
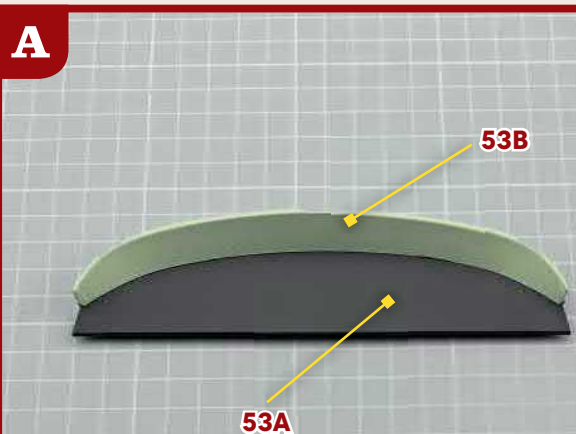
**53B**



**CP**

**53A** Boot panel  
**53B** Panel

**CP** 8 screws (1.7x4 mm)

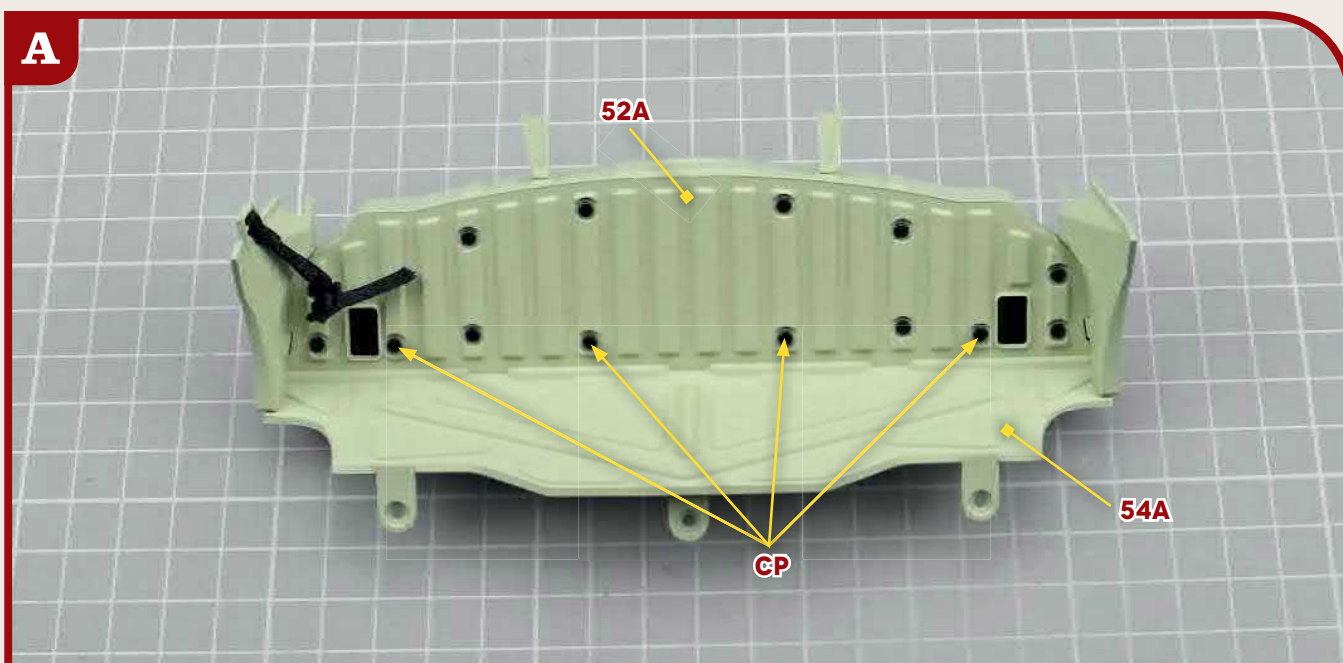


54 PARTS LIST



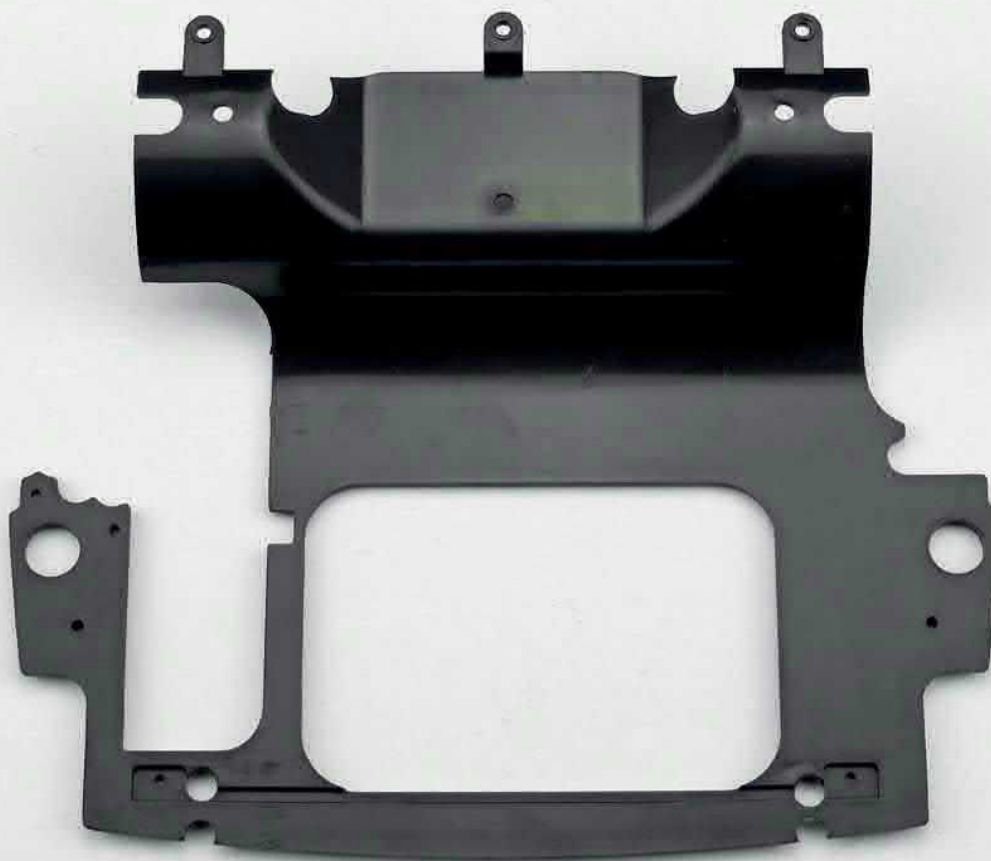
54A Boot front panel

CP 4 screws (1.7x4 mm)



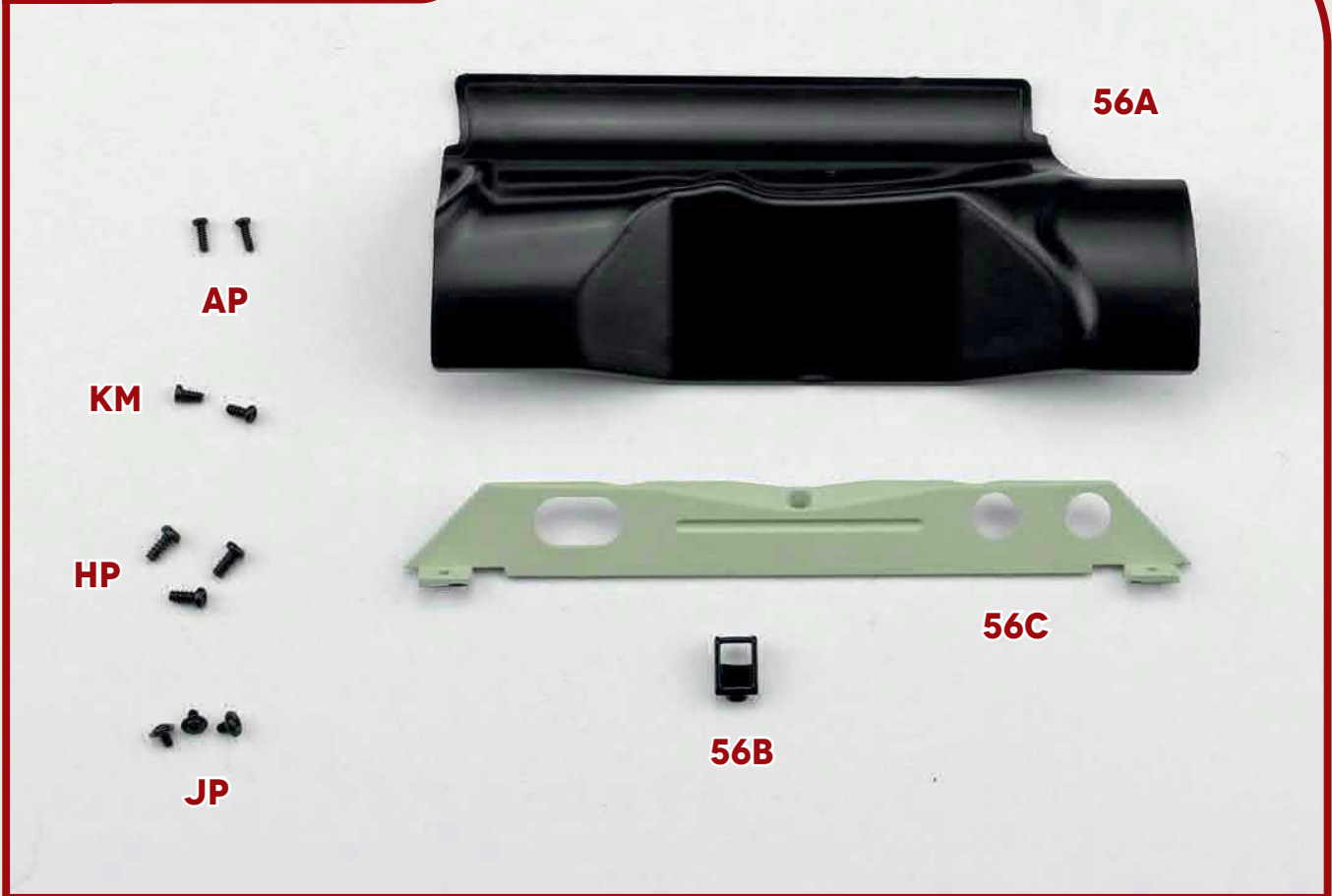
**55 PARTS LIST**

**55A**



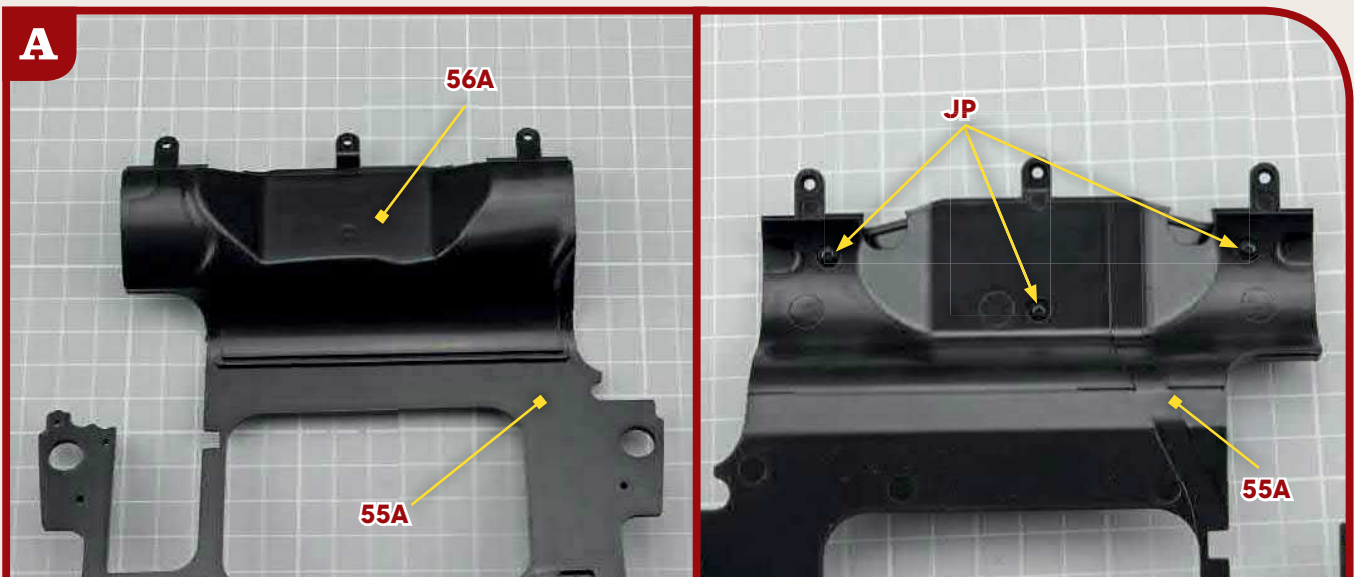
**55A** Rear chassis frame

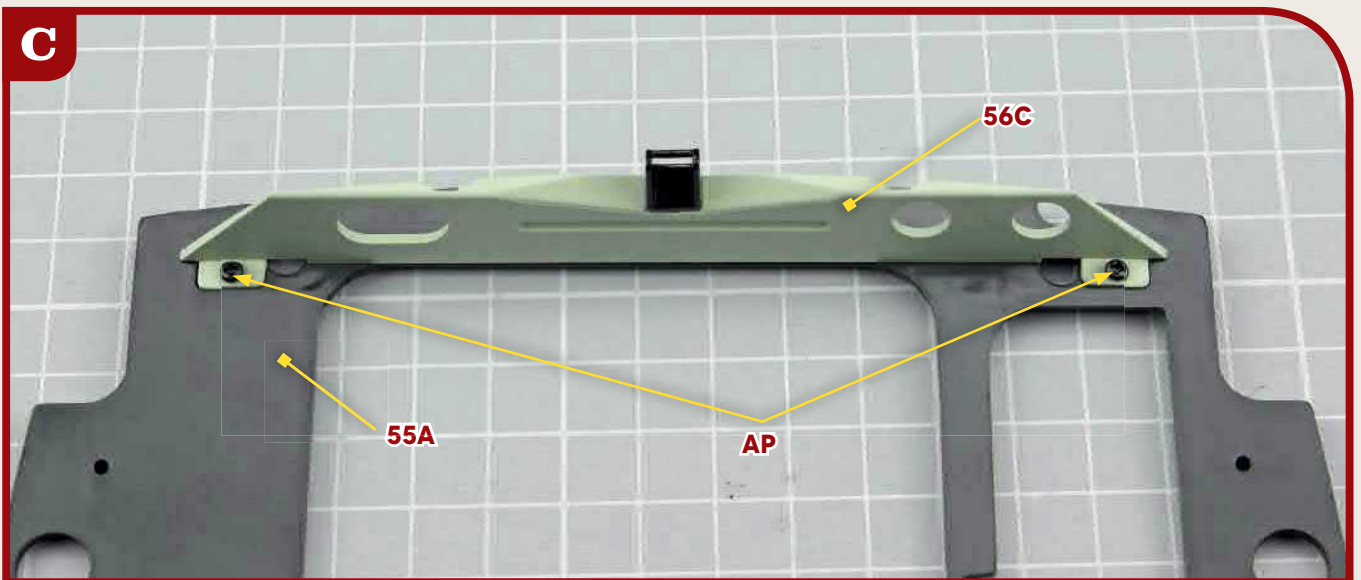
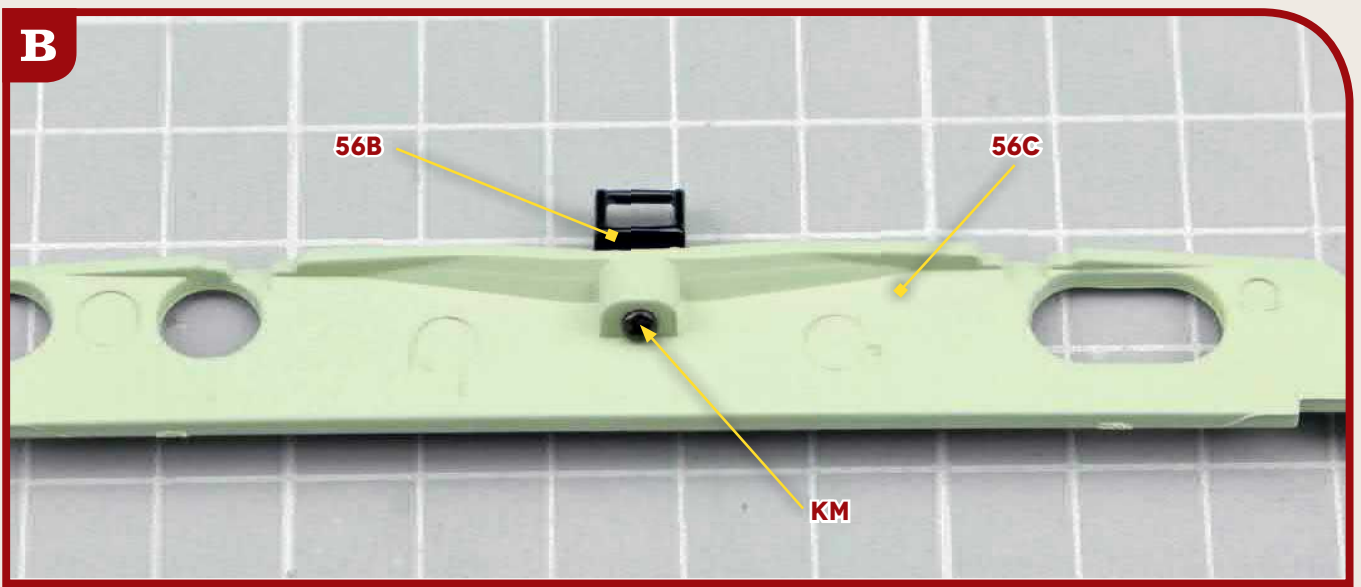
**56 PARTS LIST**



**56A** Boot detail  
**56B** Hook  
**56C** Boot rear panel

**AP** 2 screws (2x4 mm)  
**KM** 1 screw (1.7x5 mm)  
**HP** 3 screws (2.3x5 mm)  
**JP** 3 screws (1.7x3 mm)





**57 PARTS LIST**

**57B**



**57A**

- 57A** Seatback
- 57B** Seatback padding

**58 PARTS LIST**



**58A** Seatback plate  
**58B** Seatback mount

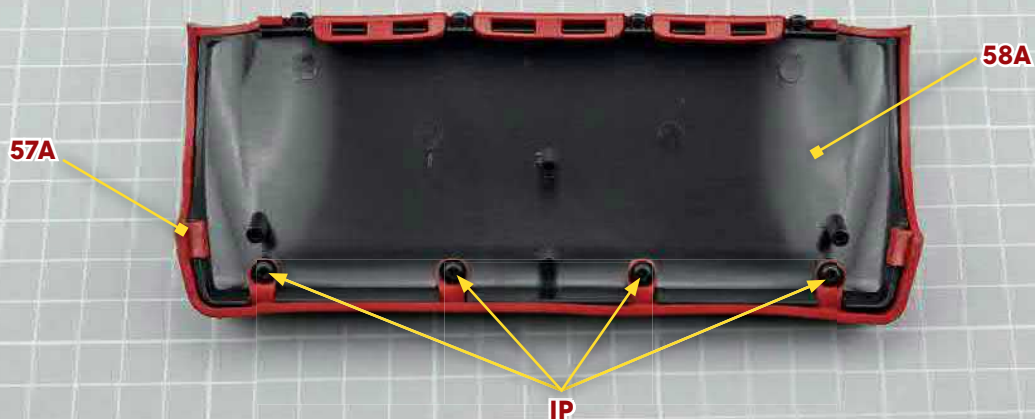
**GP** 8 screws (2.3x4 mm)  
**IP** 4 screws (2.3x4 mm)

**A**

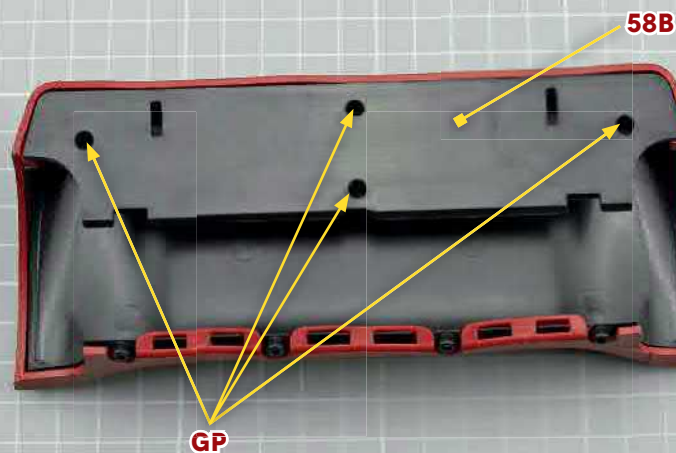




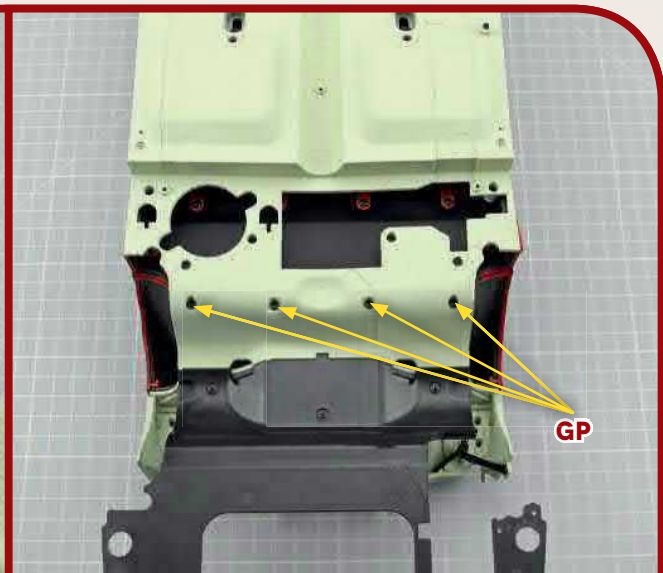
**B**



**C**



**D**



**59 PARTS LIST**



**59A+59B+59C+59D+59I**



**59E+59F+59G+59H+59J**



**GP**



**AP**

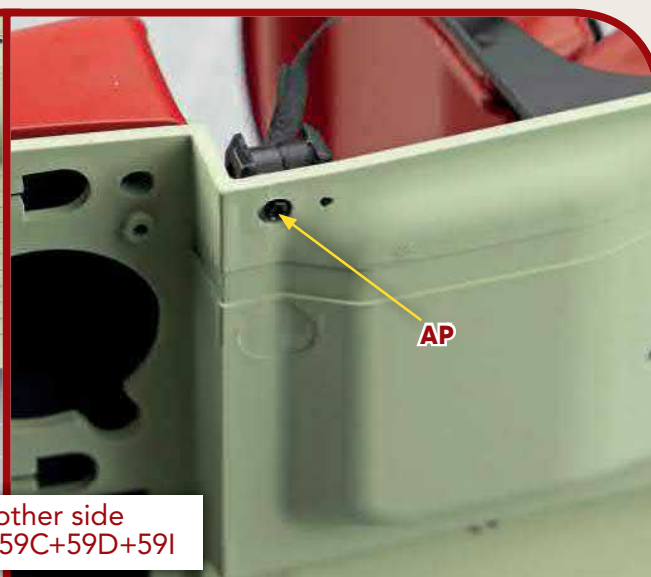


**HP**

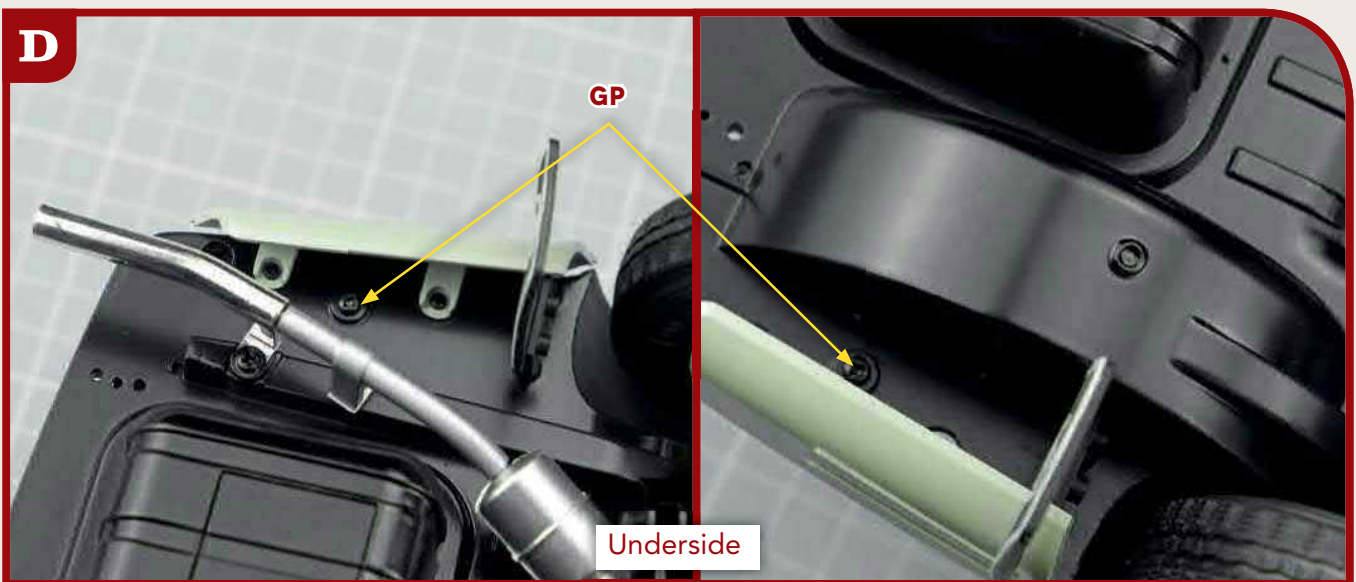
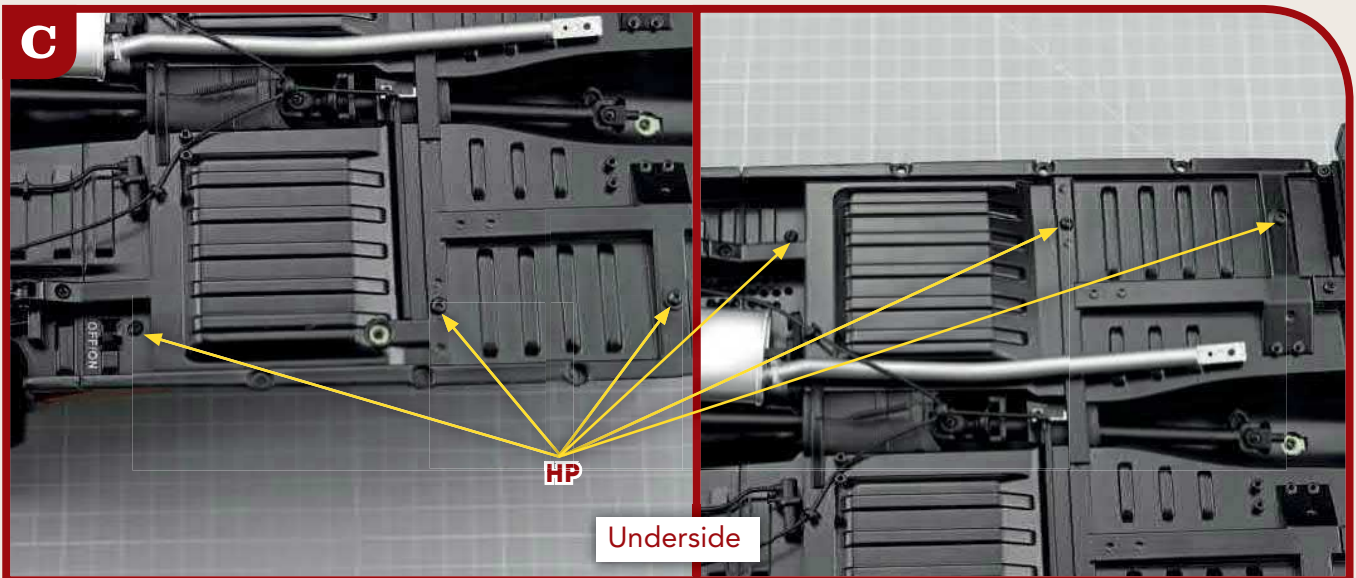
- 59A** Buckle 1
- 59B** Belt 1
- 59C** Buckle 2
- 59D** Mount 1
- 59E** Mount 2

- 59F** Buckle 3
- 59G** Belt 2
- 59H** Buckle 4
- 59I** Mount 3
- 59J** Mount 4

- GP** 2 screws (2.3x4 mm)
- AP** 2 screws (2x4 mm)
- HP** 6 screws (2.3x5 mm)



Repeat on other side  
with 59A+59B+59C+59D+59I



**60 PARTS LIST**



**60A+60B**

- 60A** Boot floor
- 60B** Double sided-tape



**60A+60B**

Underside

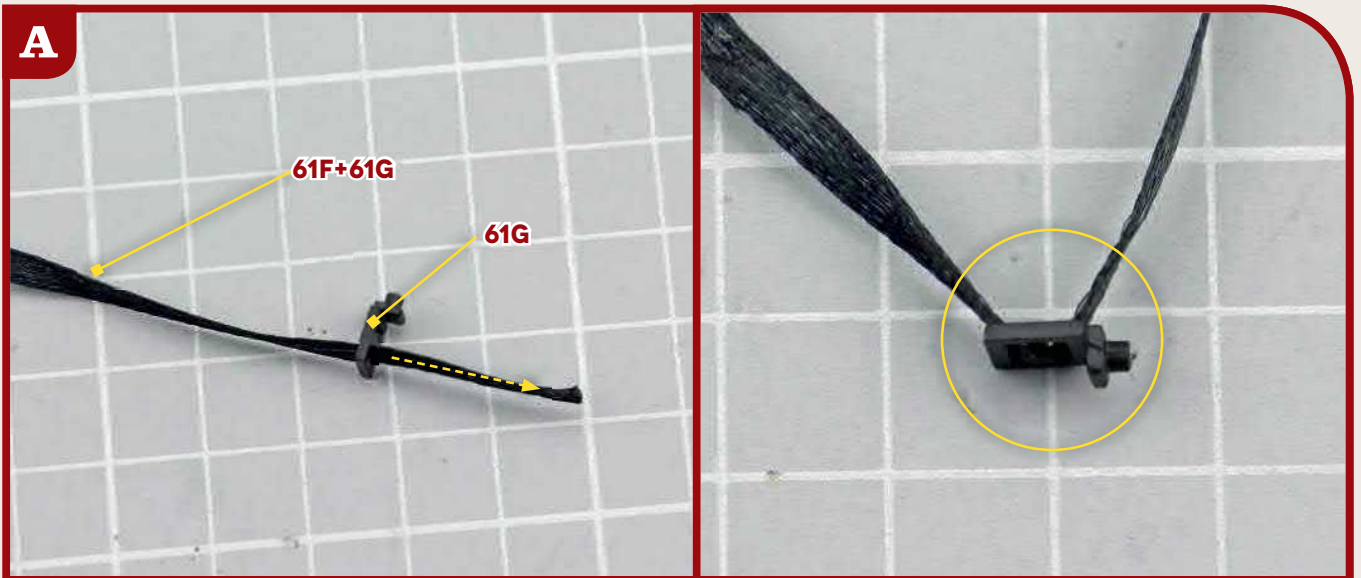
61 PARTS LIST

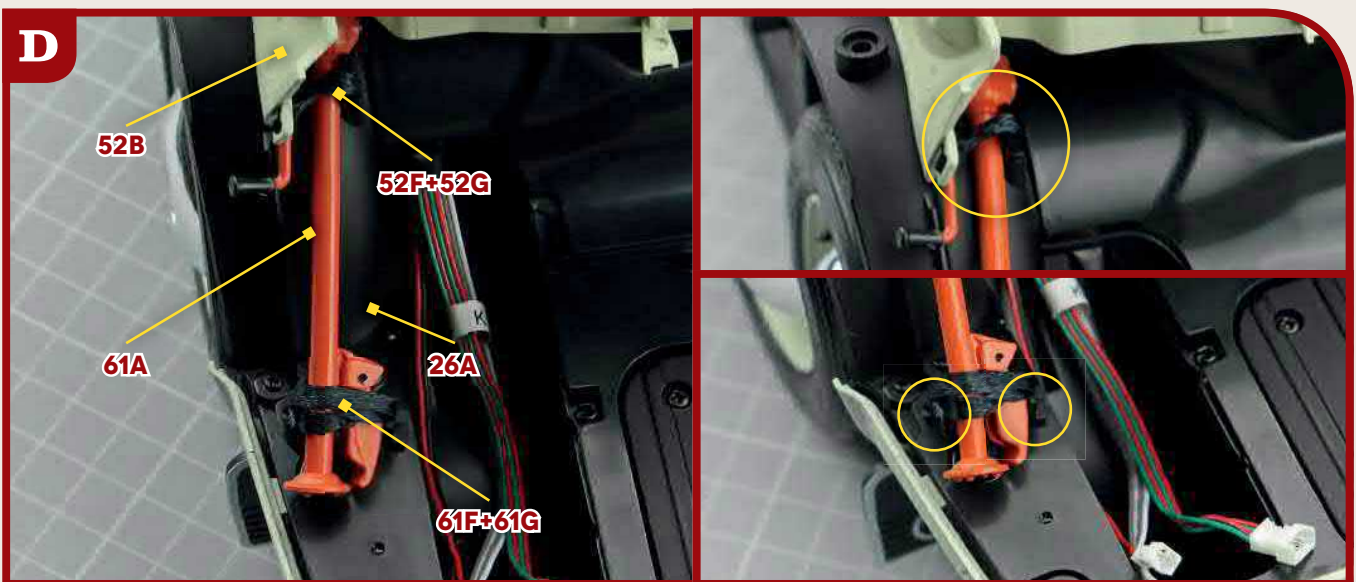
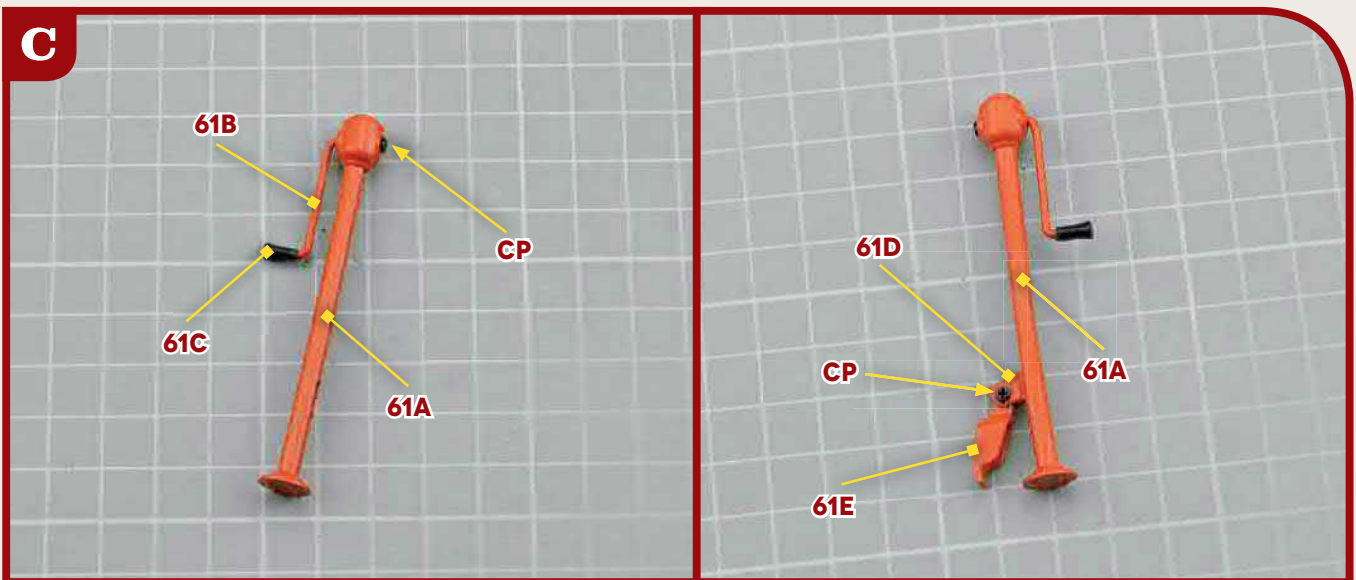
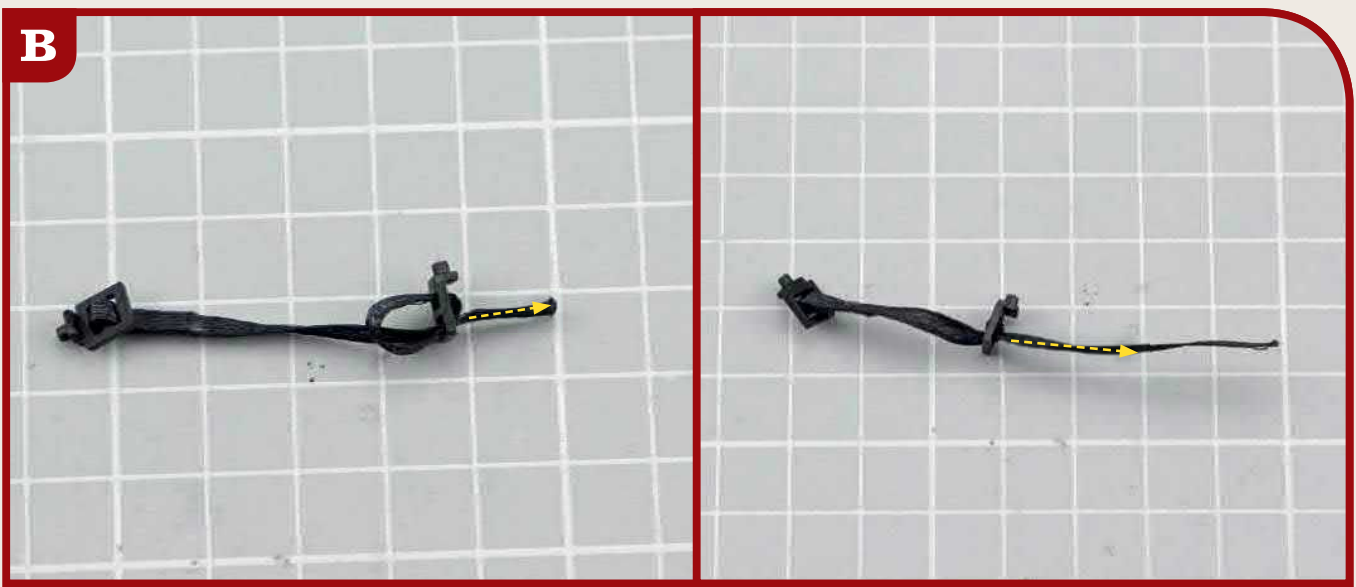


- 61A Jack
- 61B Arm
- 61C Handle
- 61D Bracket 1

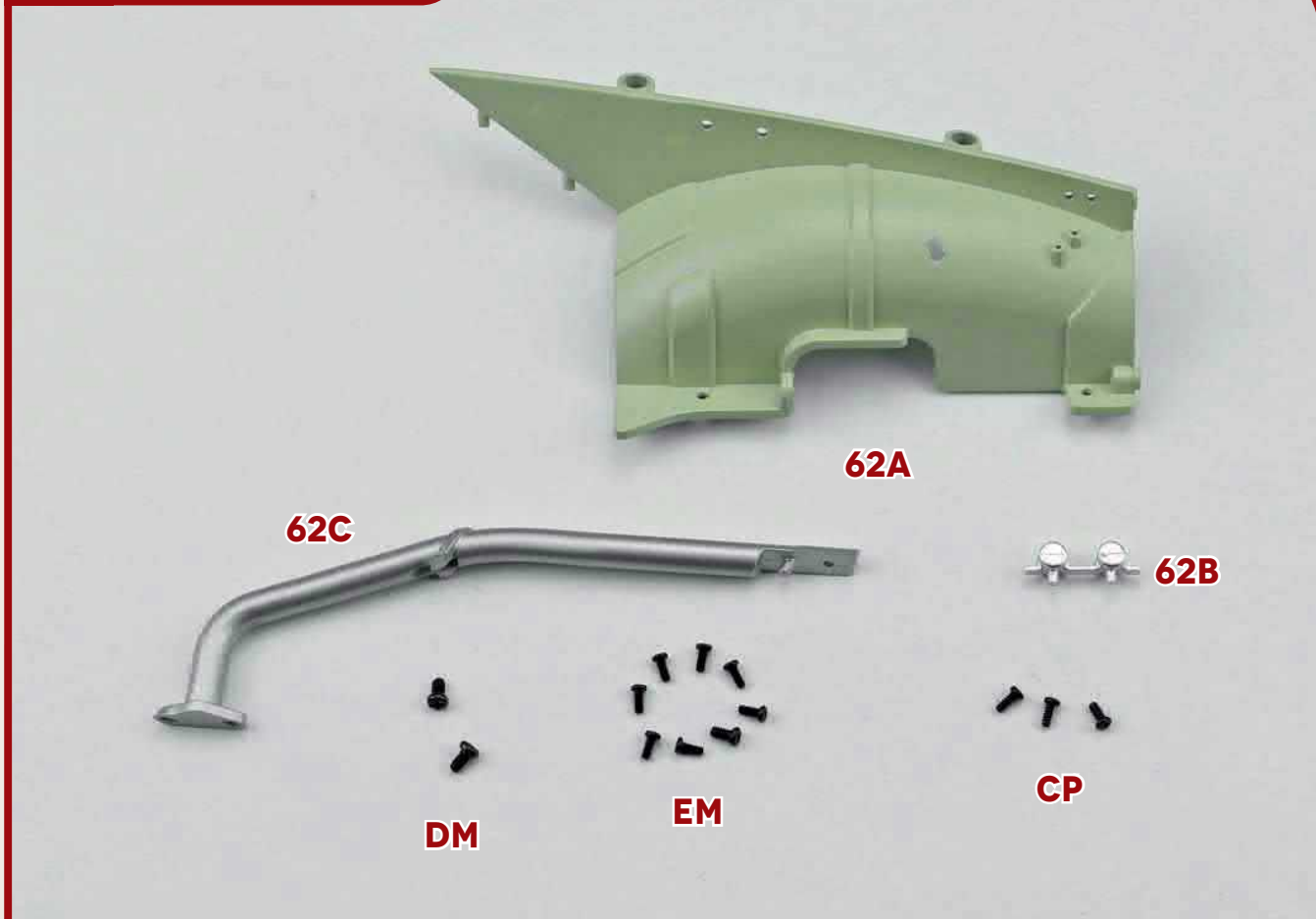
- 61E Bracket 2
- 61F Belt
- 61G Buckles

- CP 2 screws (1.7x4 mm)





**62 PARTS LIST**

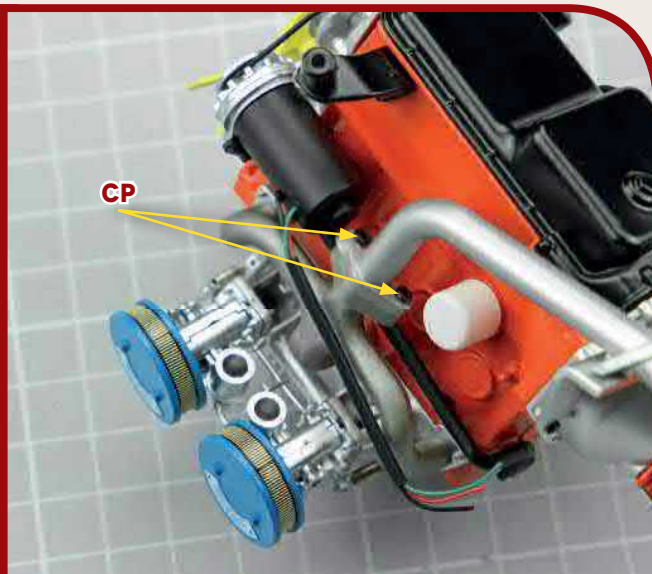


- |                                     |                               |
|-------------------------------------|-------------------------------|
| <b>62A</b> Front inner mudguard (L) | <b>DM</b> 2 screws (2.3x4 mm) |
| <b>62B</b> Detail                   | <b>EM</b> 8 screws (1.7x4 mm) |
| <b>62C</b> Engine exhaust pipe      | <b>CP</b> 3 screws (1.7x4 mm) |



**B**

Couple engine exhaust pipe 62C to engine



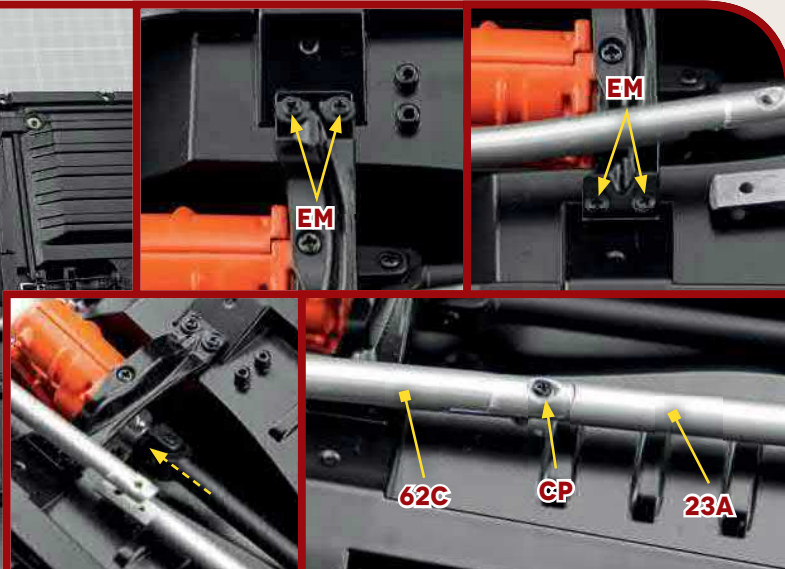
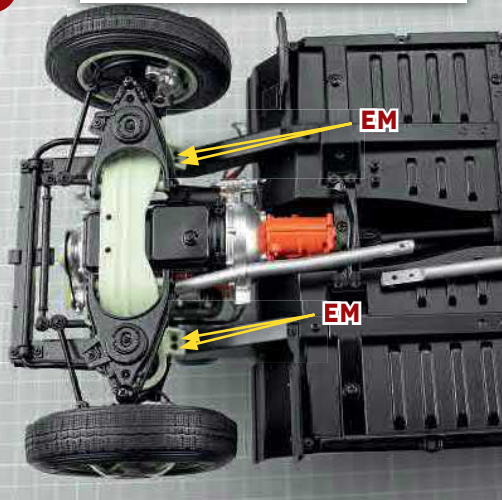
**C**

Mount engine on front axle



**D**

Couple front axle to chassis

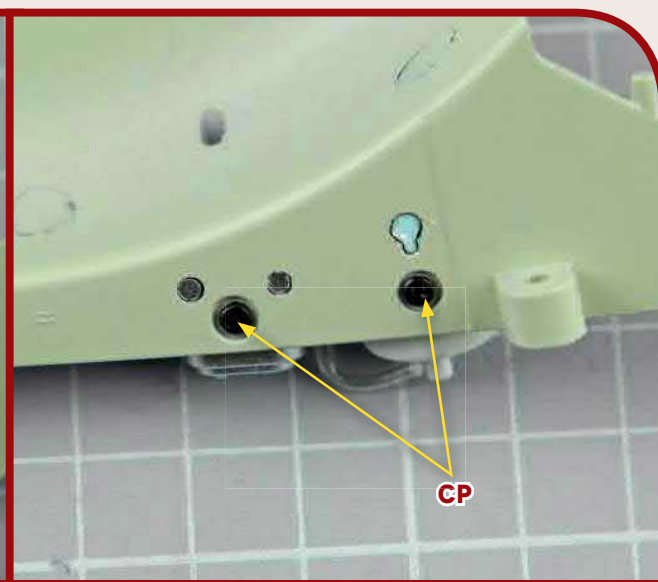
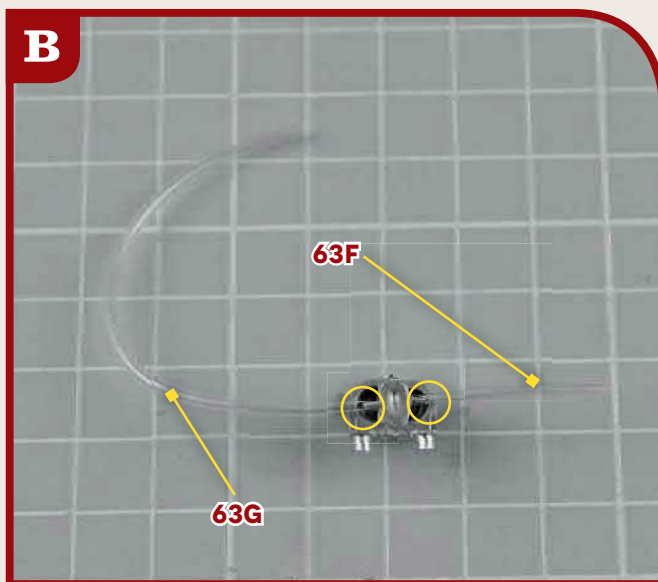
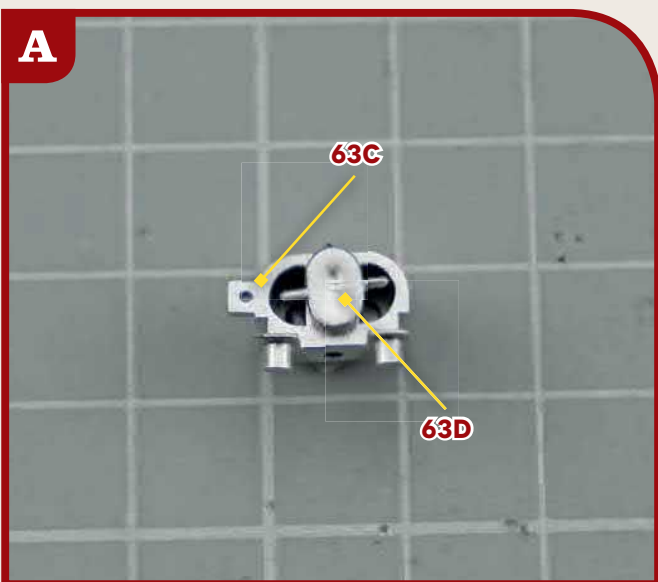




**63 PARTS LIST**



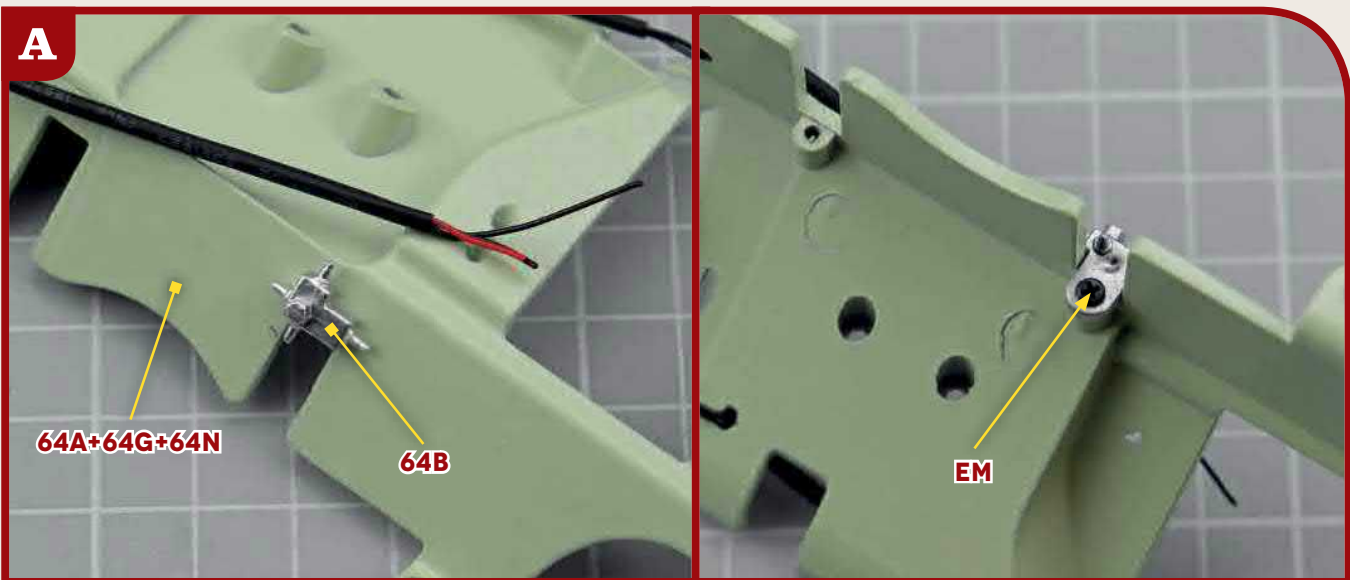
- 63A** Front inner mudguard (R)
- 63B** Detail 1
- 63C** Detail 2
- 63D** Detail 3
- 63E** Fluid tank
- 63F** Hose 1
- 63G** Hose 2
- CP** 2 screws (1.7x4 mm)

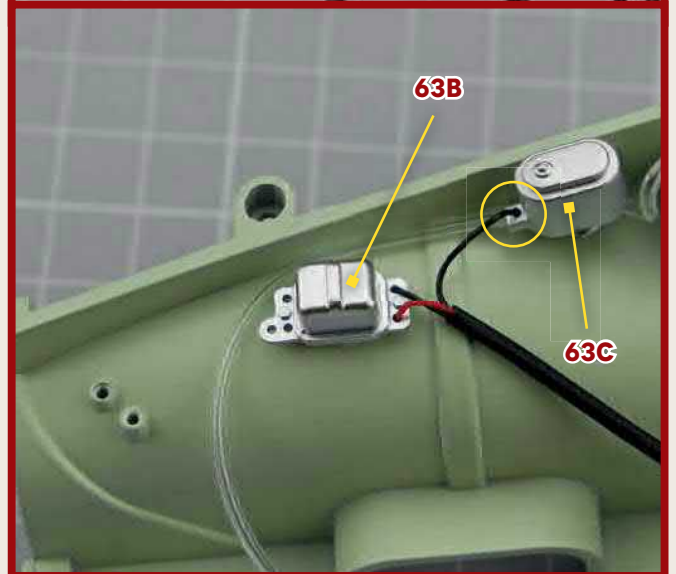
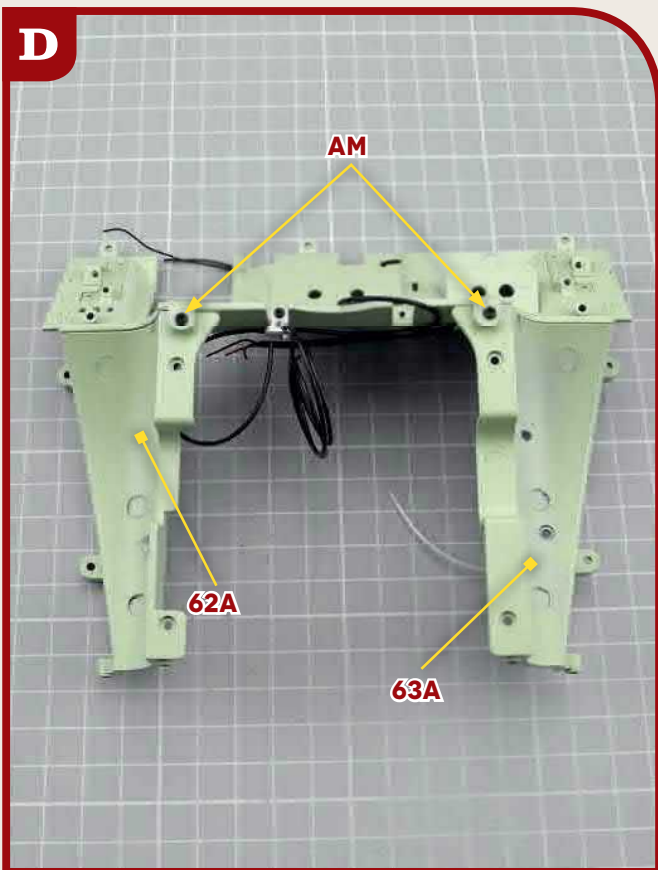
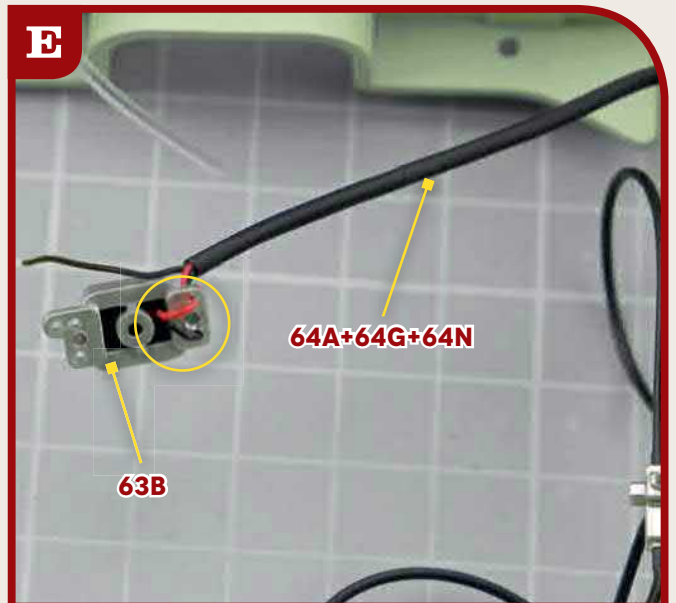
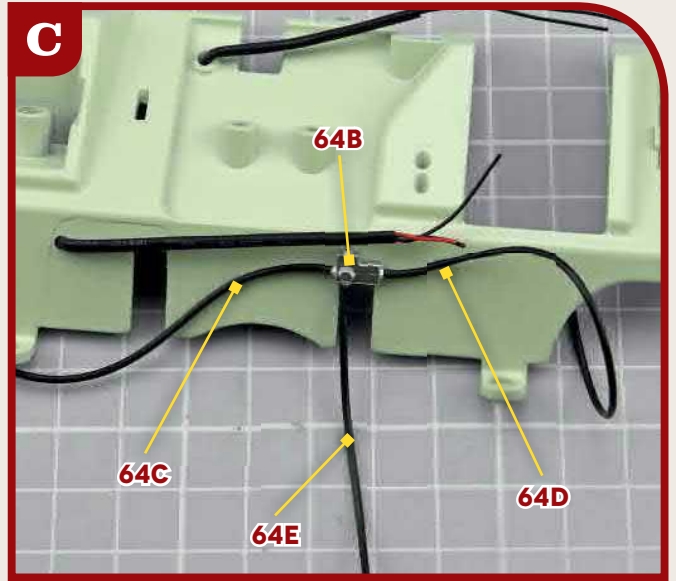
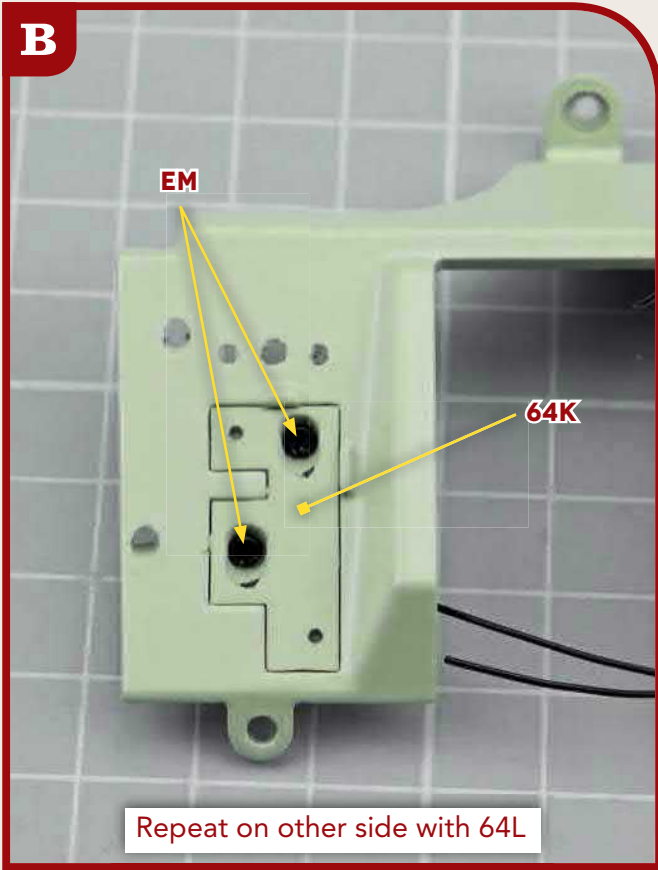


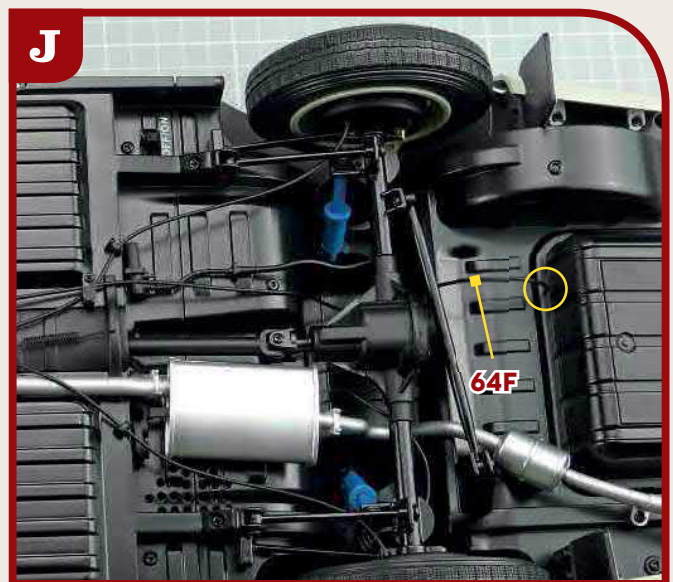
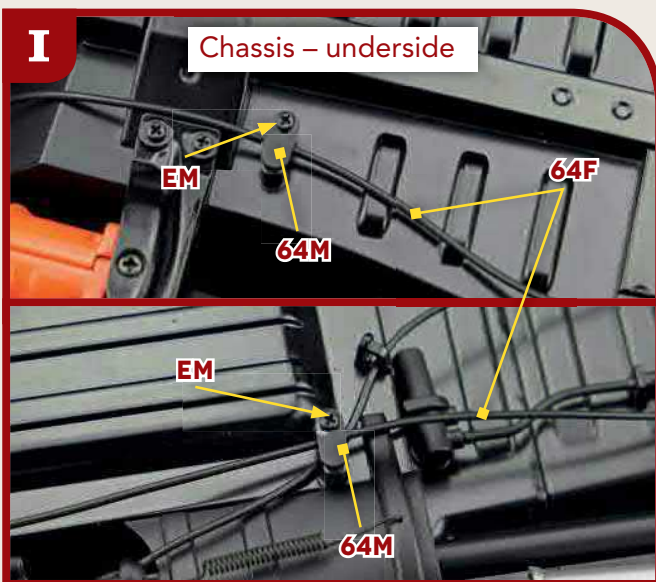
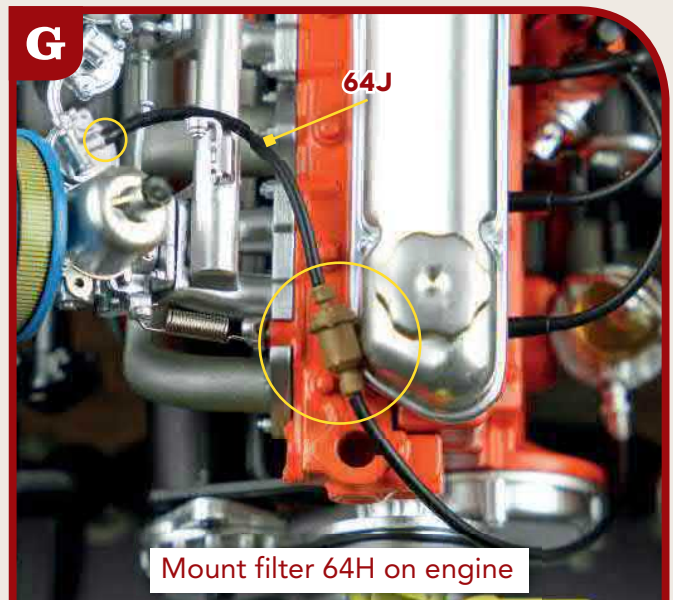
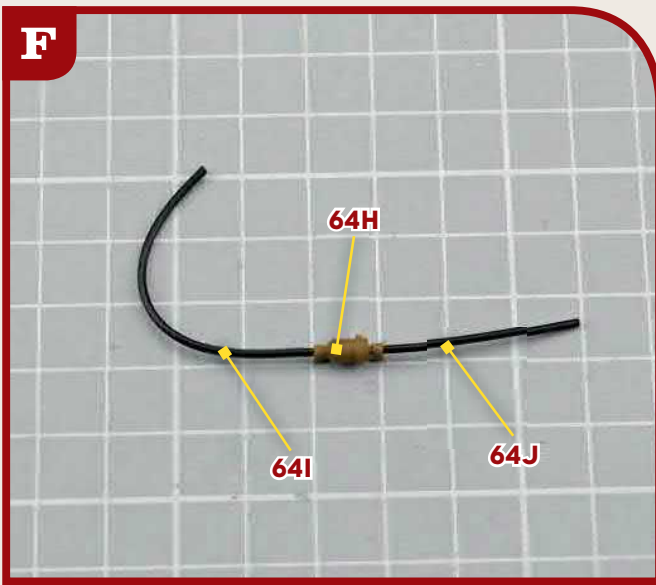
**64 PARTS LIST**



- |                              |                    |                               |
|------------------------------|--------------------|-------------------------------|
| <b>64A</b> Firewall          | <b>64G</b> Wire 1  | <b>64M</b> Fairleads          |
| <b>64B</b> Brake distributor | <b>64H</b> Filter  | <b>64N</b> Wire 2             |
| <b>64C</b> Hose 1            | <b>64I</b> Hose 5  | <b>AM</b> 2 screws (2x4 mm)   |
| <b>64D</b> Hose 2            | <b>64J</b> Hose 6  | <b>EM</b> 7 screws (1.7x4 mm) |
| <b>64E</b> Hose 3            | <b>64K</b> Cover 1 |                               |
| <b>64F</b> Hose 4            | <b>64L</b> Cover 2 |                               |



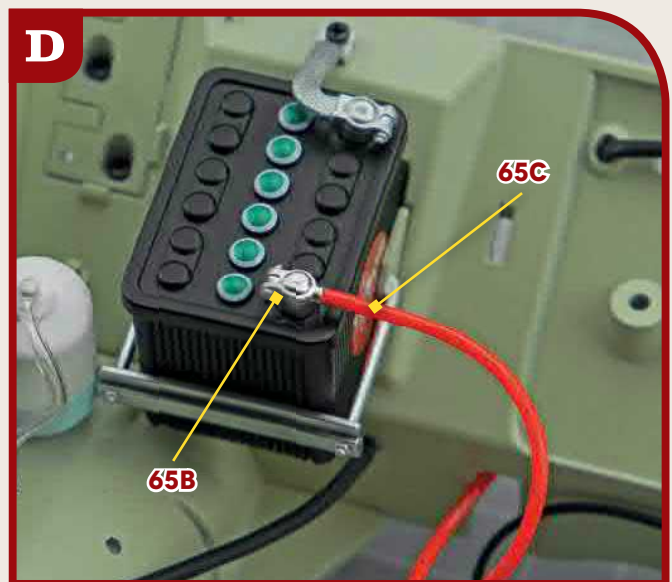
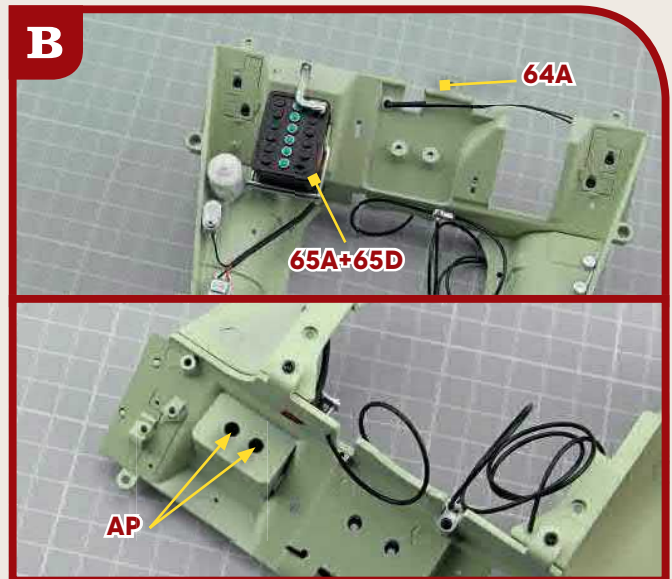
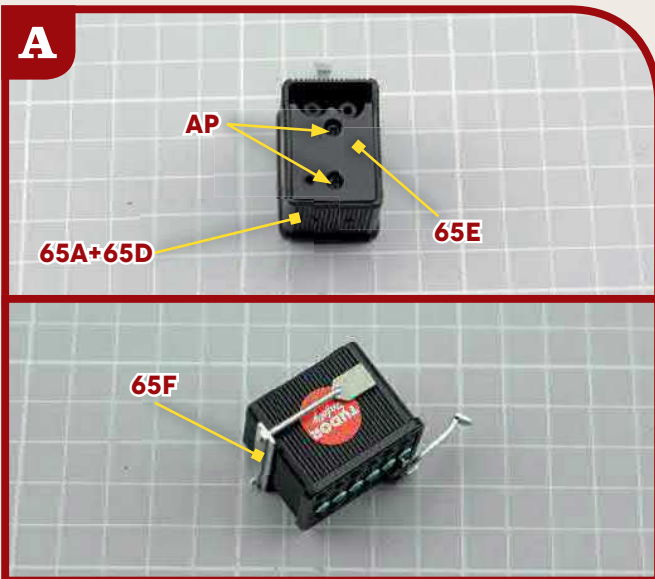




**65 PARTS LIST**



- 65A** Battery negative pole
- 65B** Battery positive pole
- 65C** Cable
- 65D** Battery
- 65E** Battery mount
- 65F** Battery frame
- CM** 1 screw (1.5x4 mm)
- AP** 4 screws (2x4 mm)

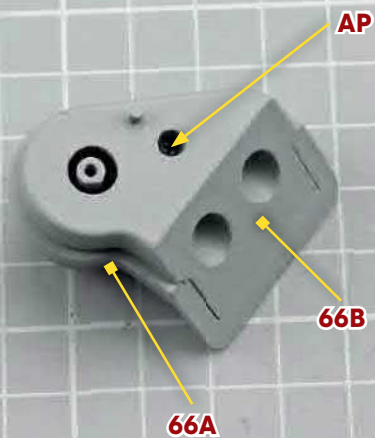


## 66 PARTS LIST



- 66A** Heater box front
- 66B** Heater box middle part
- 66C** Heater box rear
- 66D** Detail 1
- 66E** Cable
- 66F** Detail 2
- 66G** Bracket 1
- 66H** Bracket 2
- 66I** Connector
  
- EM** 1 screw (1.7x4 mm)
- AP** 5 screws (2x4 mm)

**A**

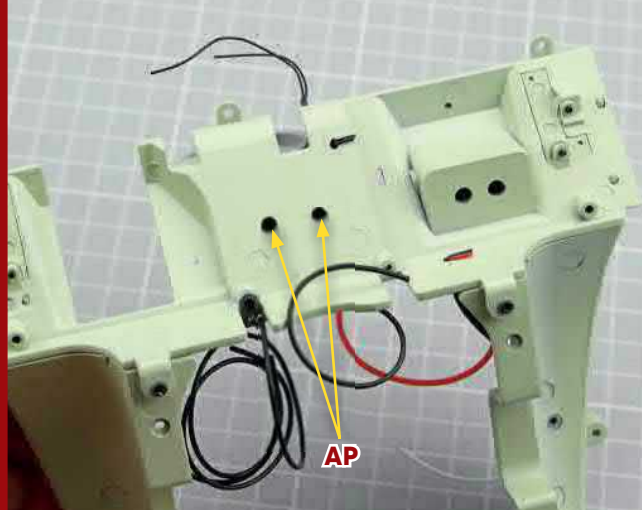


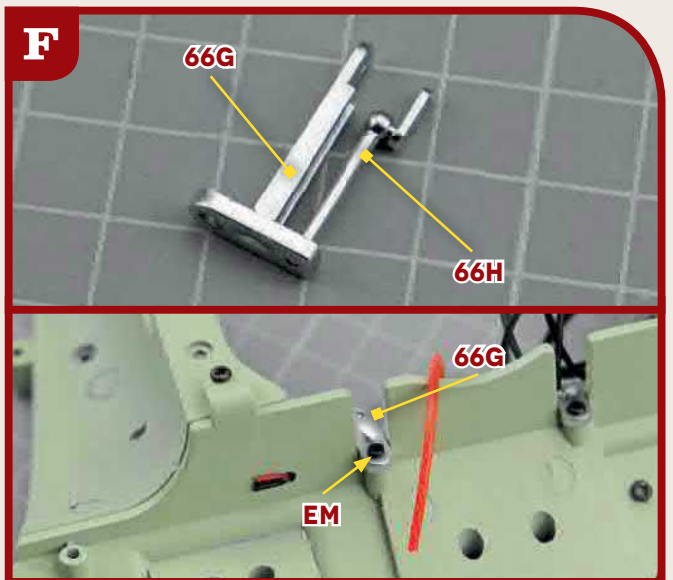
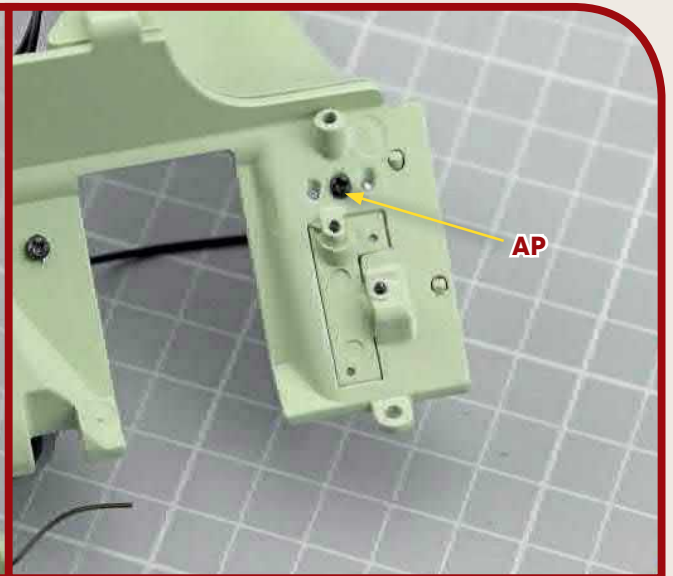
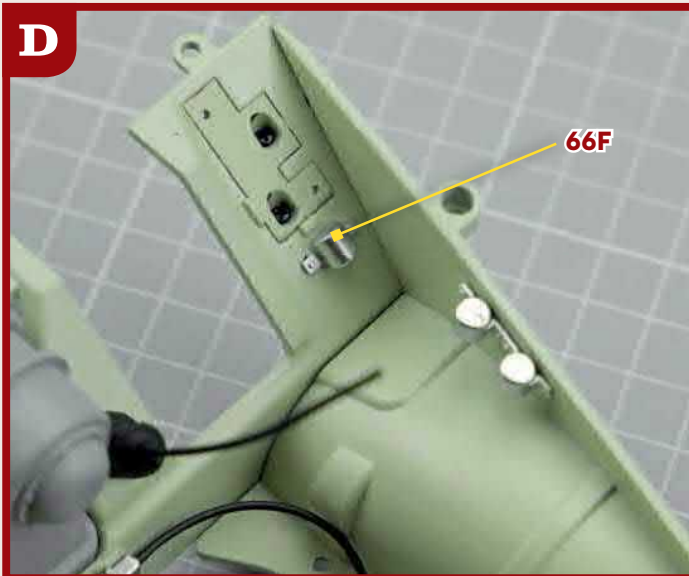
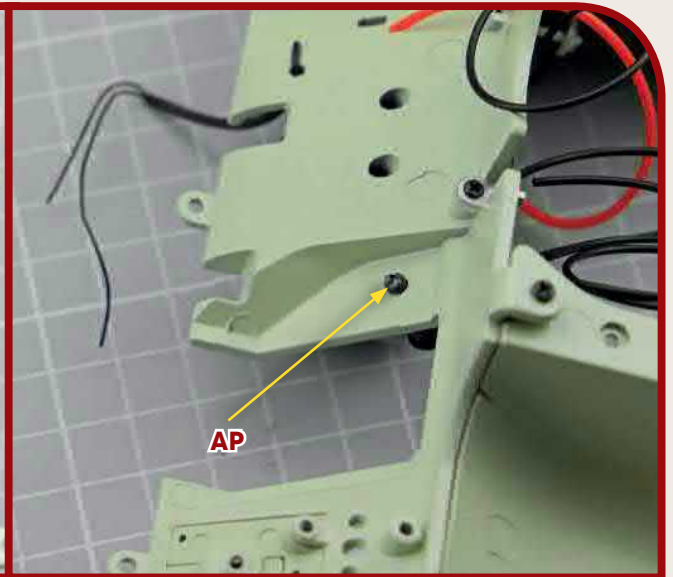
**AP**

**66C**

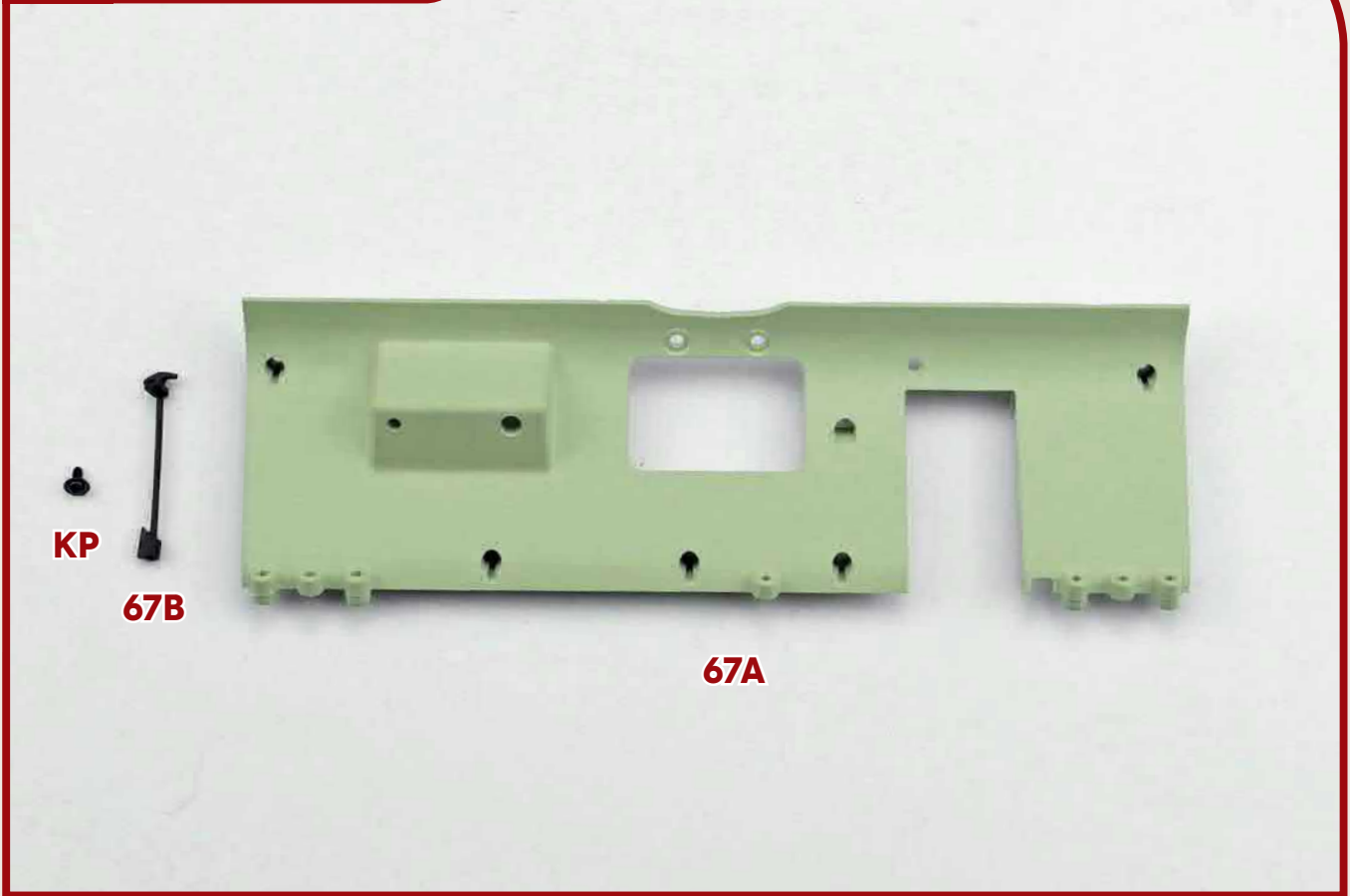
**B**

Mount heater box on firewall



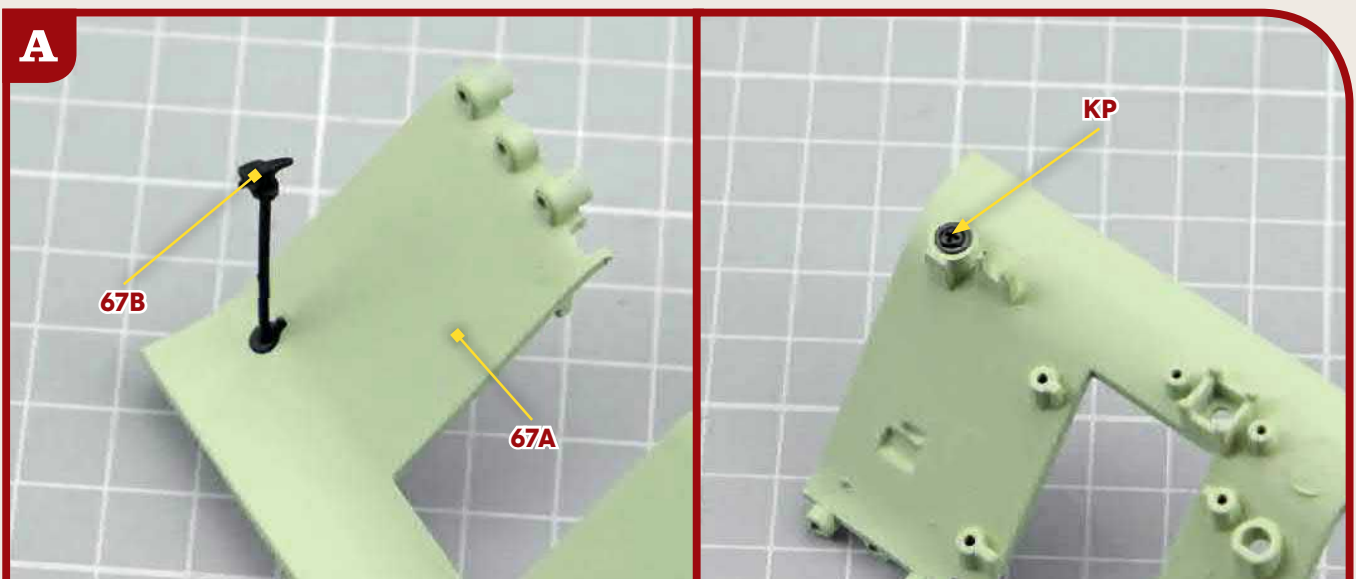


**67 PARTS LIST**



**67A** Firewall panel  
**67B** Bonnet rod

**KP** 1 screw (1.7x4 mm)

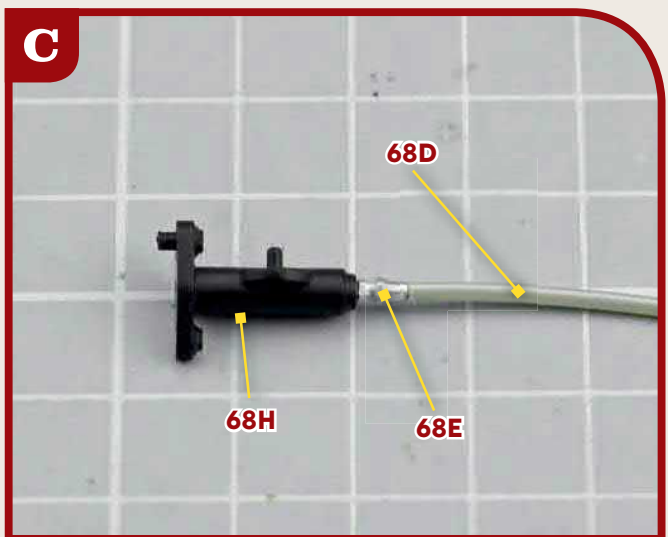
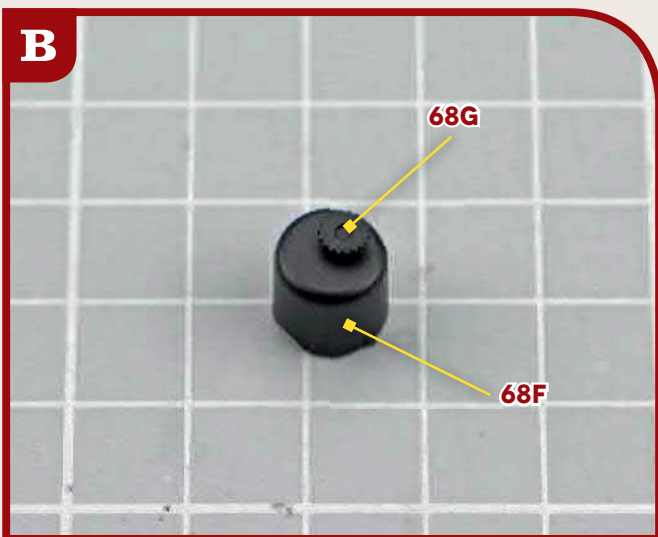
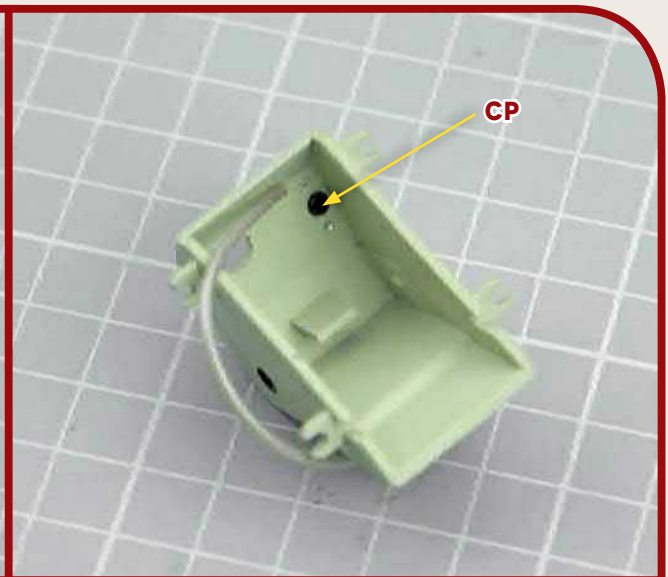
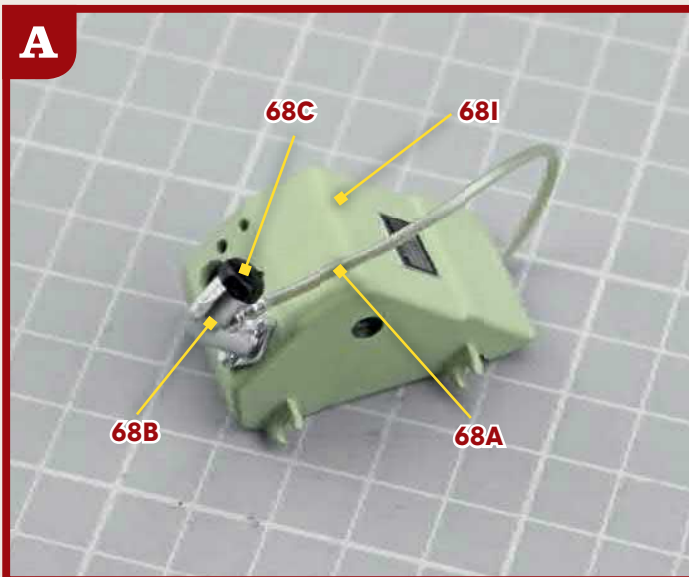




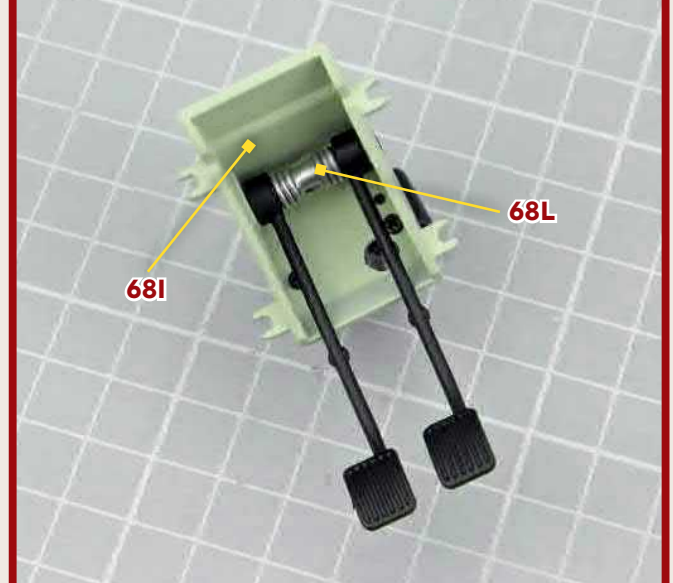
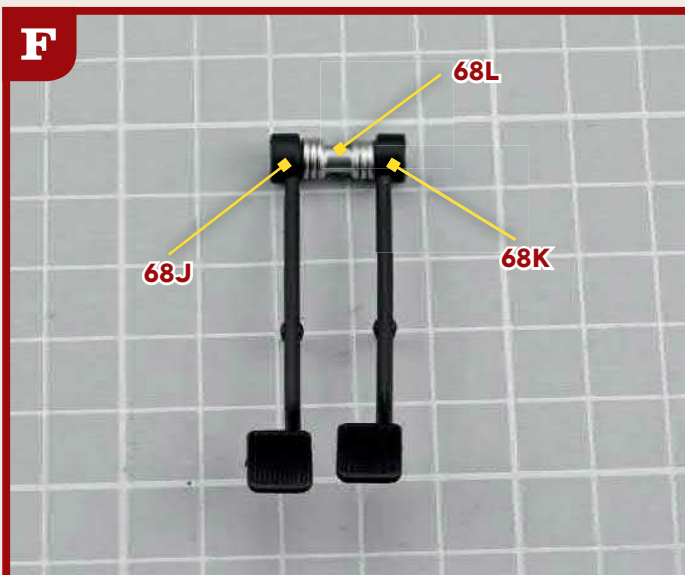
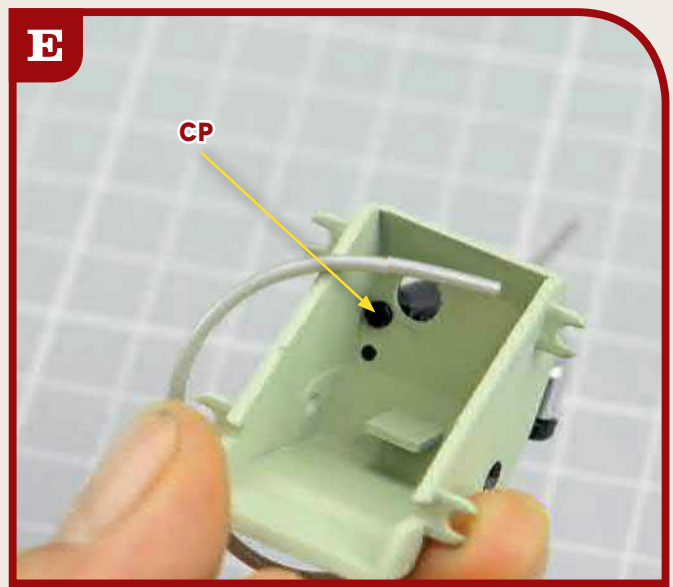
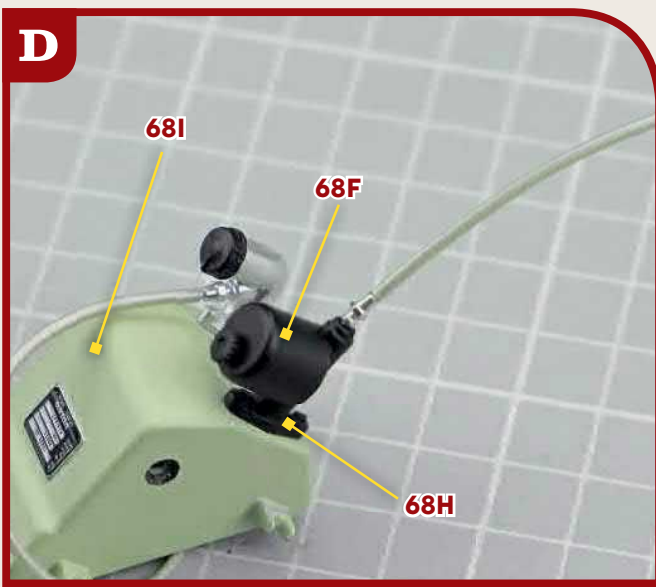
**68 PARTS LIST**



- 68A** Hose 1
- 68B** Clutch fluid tank
- 68C** Clutch fluid tank cap
- 68D** Hose 2
- 68E** Detail
- 68F** Brake fluid tank
- 68G** Brake fluid tank cap
- 68H** Brake fluid tank mount
- 68I** Pedals mount
- 68J** Clutch pedal
- 68K** Brake pedal
- 68L** Bracket
  
- CP** 2 screws (1.7x4 mm)
- FP** 2 screws (2.3x4 mm)



# STEP BY STEP 68

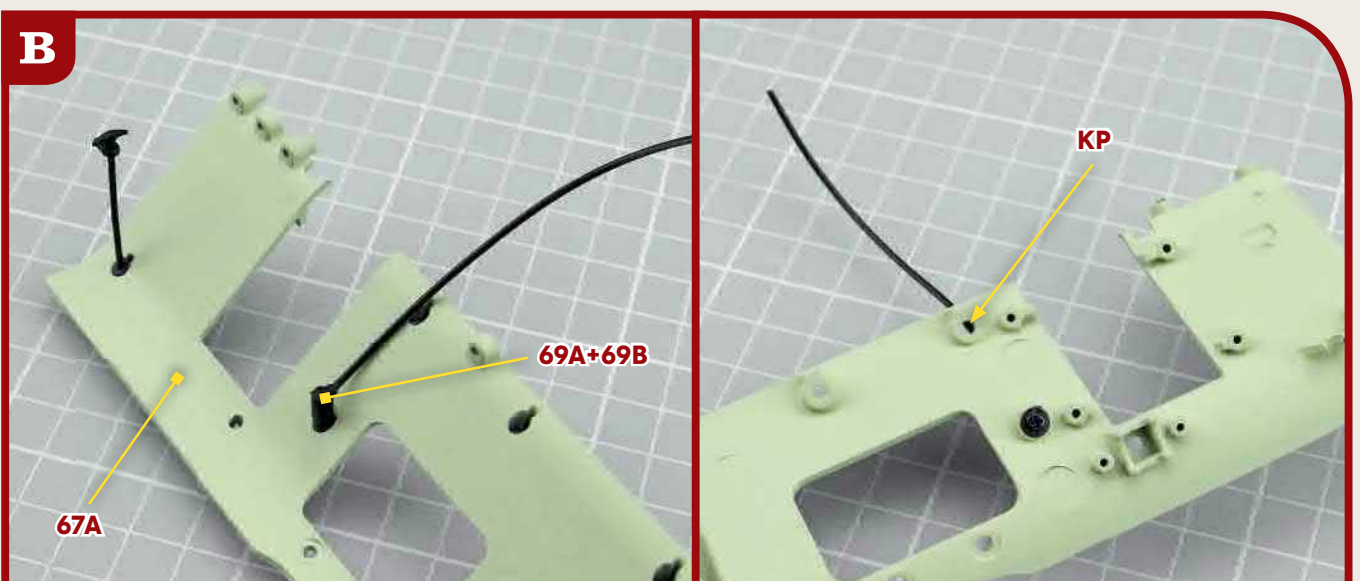
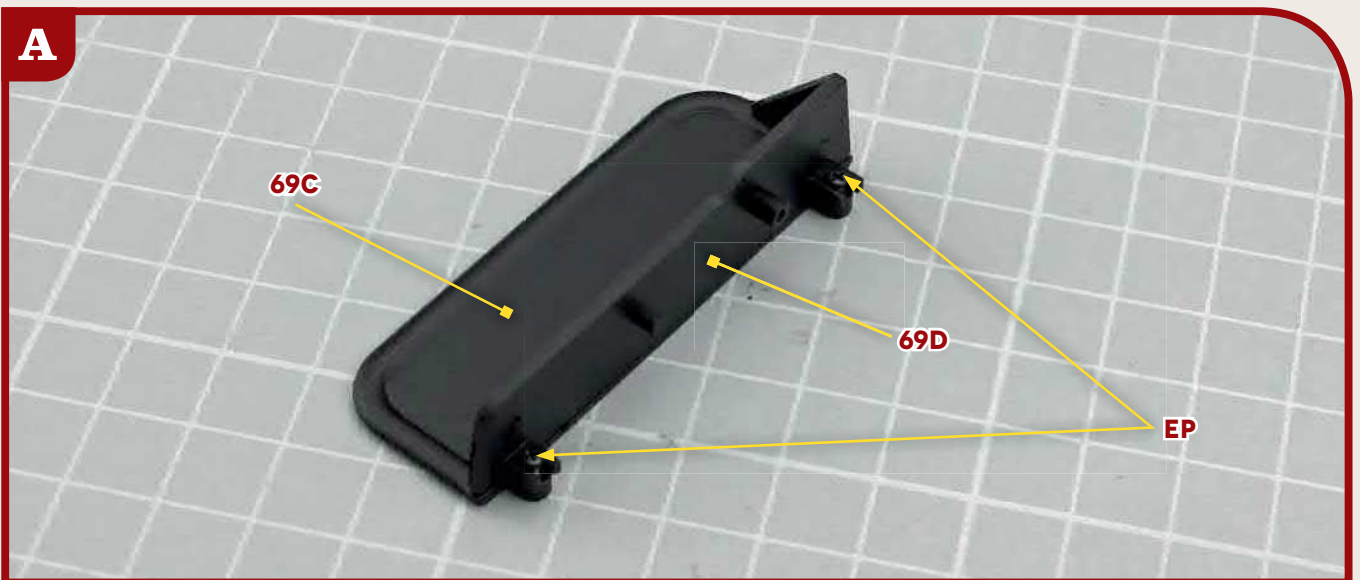


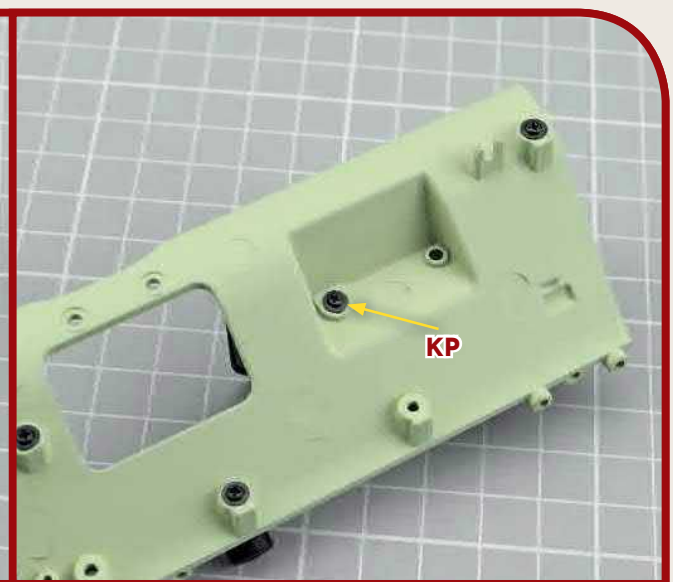
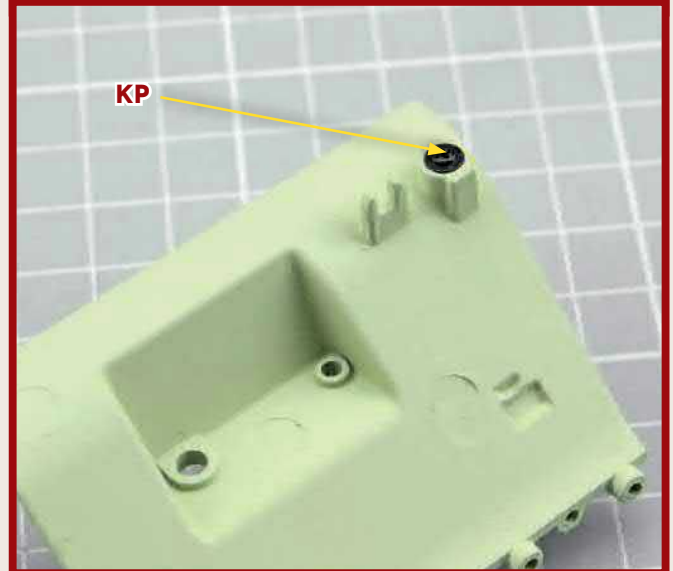
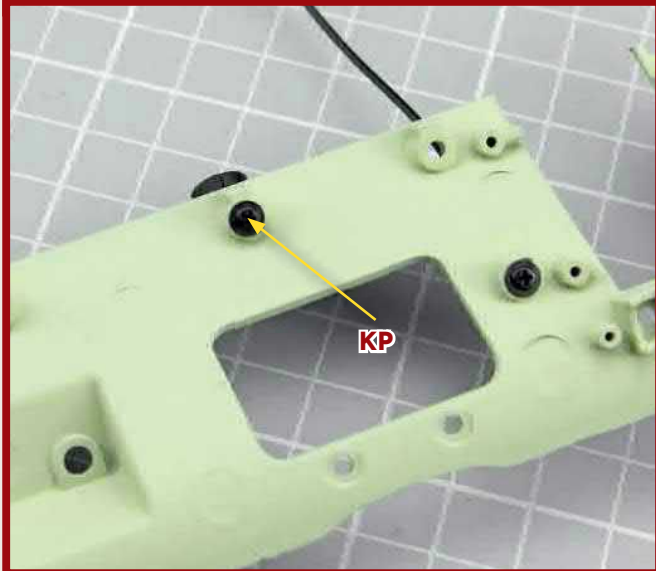
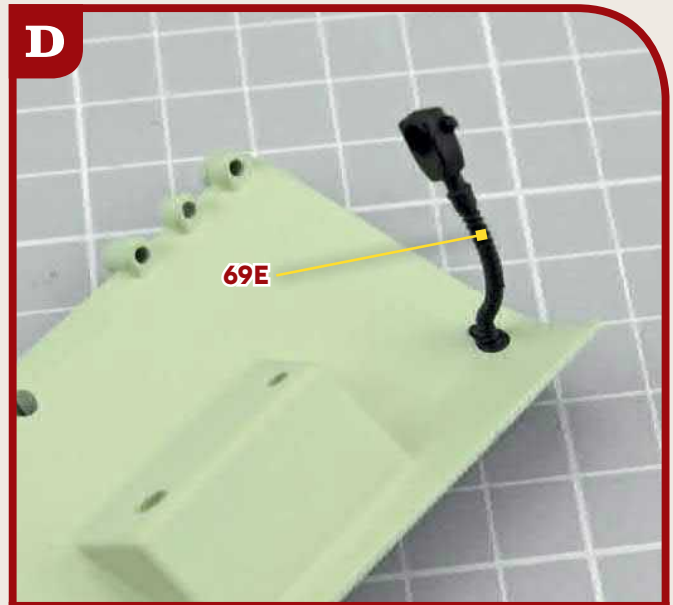
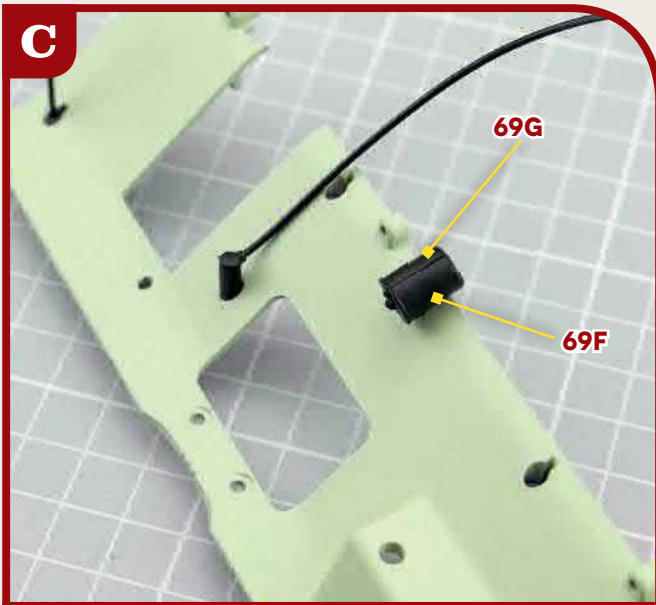
**69 PARTS LIST**



- 69A** Lighter
- 69B** Wire
- 69C** Glove box lower part
- 69D** Glove box upper part
- 69E** Cable
- 69F** Detail 1
- 69G** Detail 2

- EP** 2 screws (1.5x4 mm)
- KP** 4 screws (1.7x4 mm)

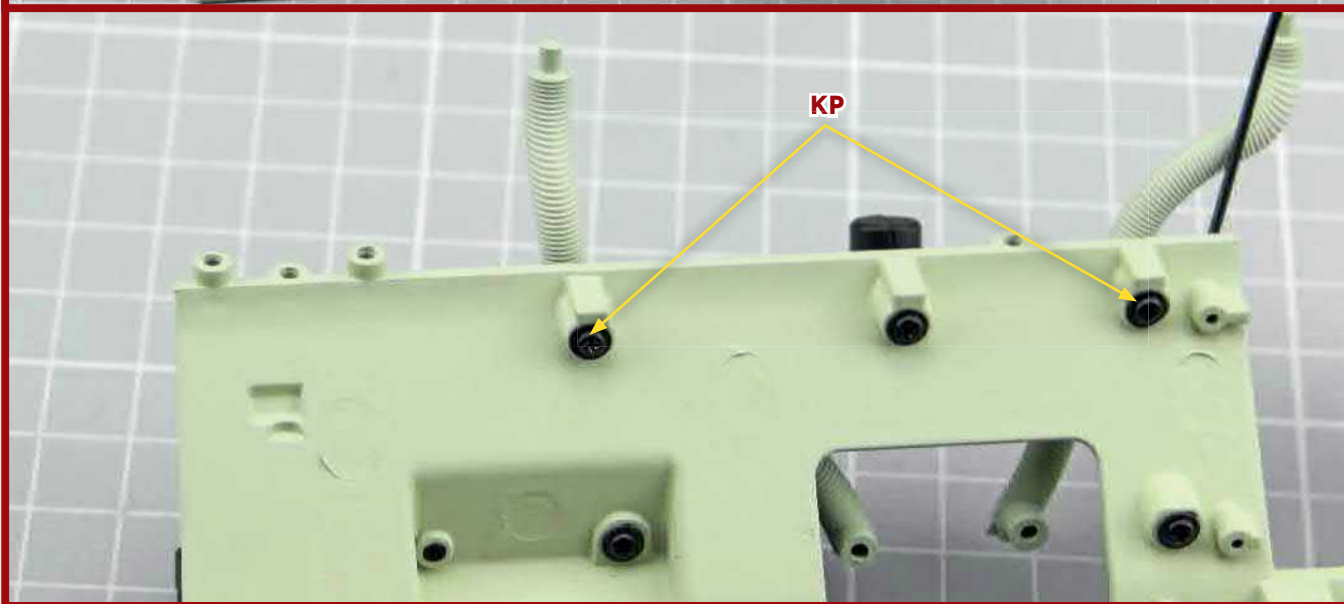
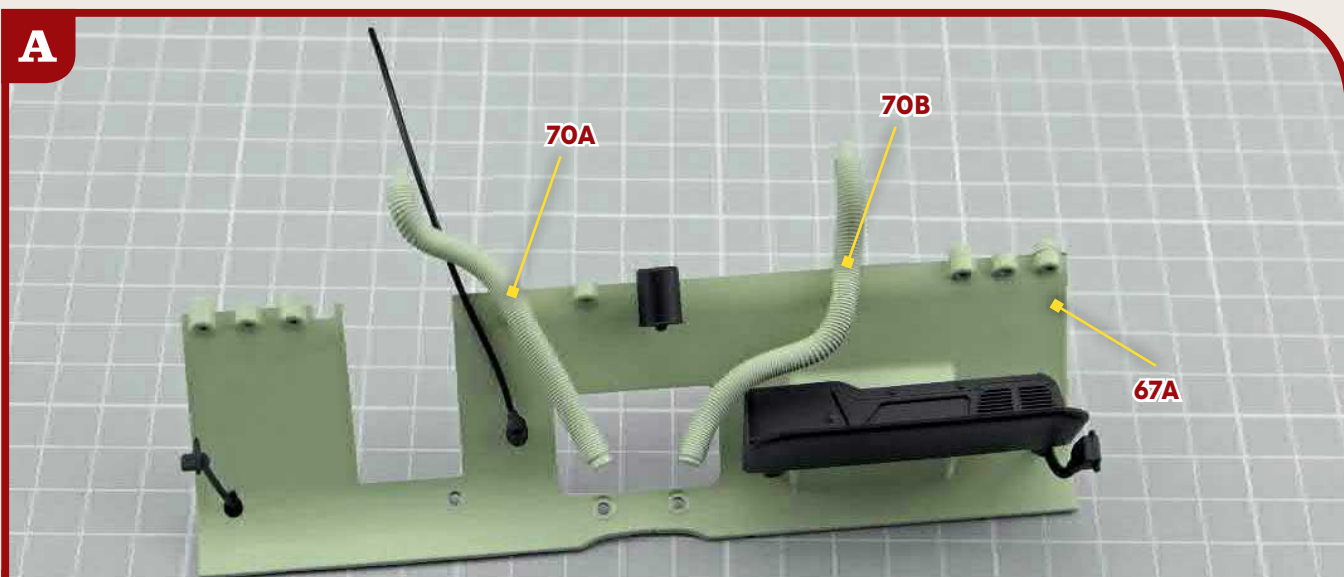


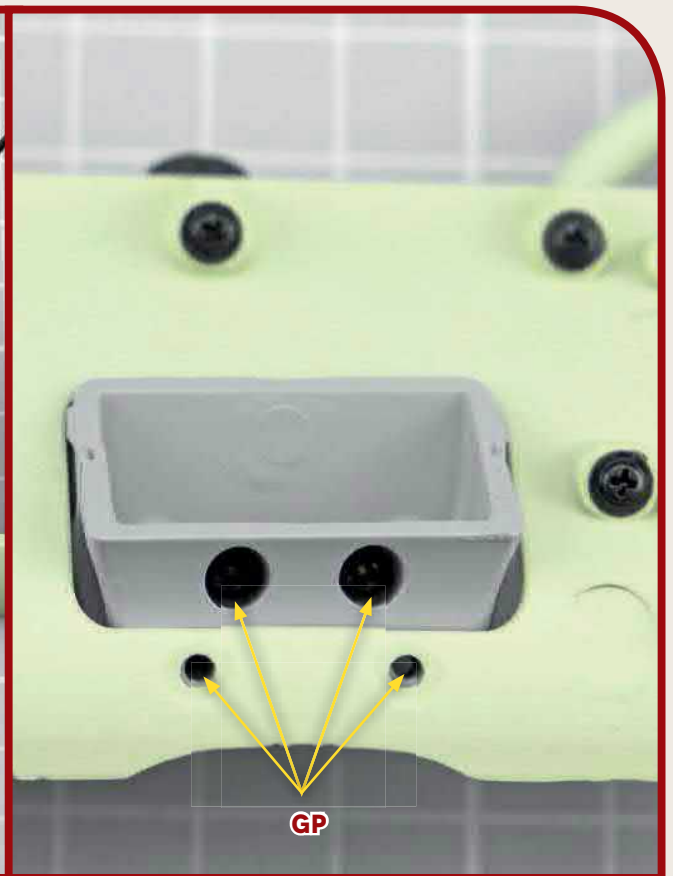
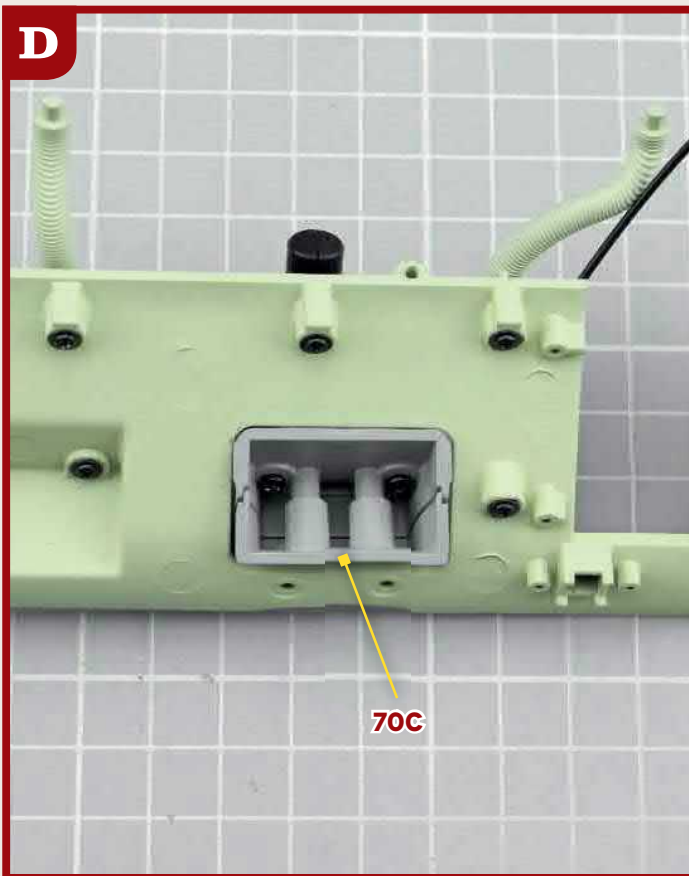
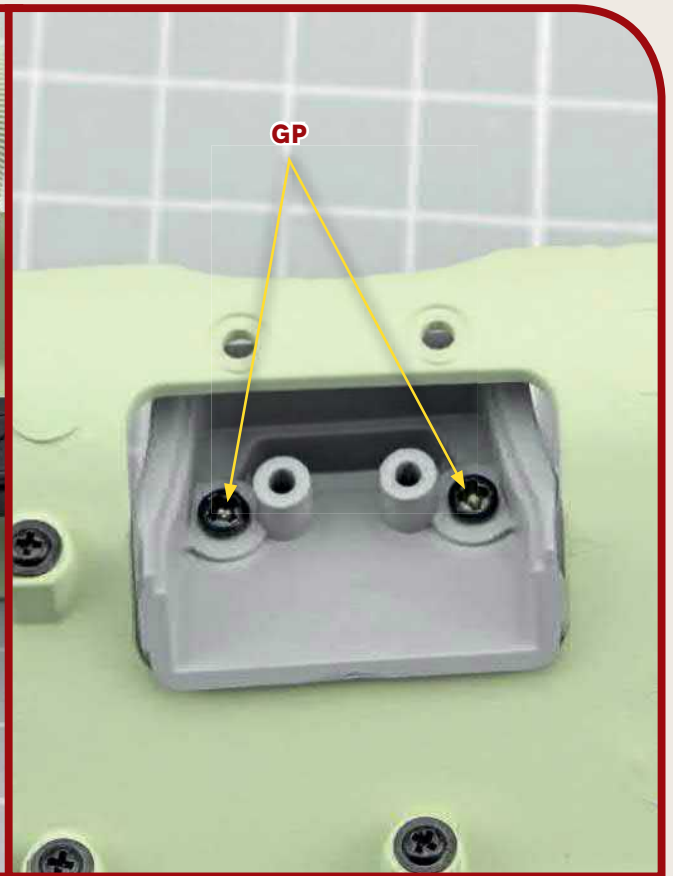
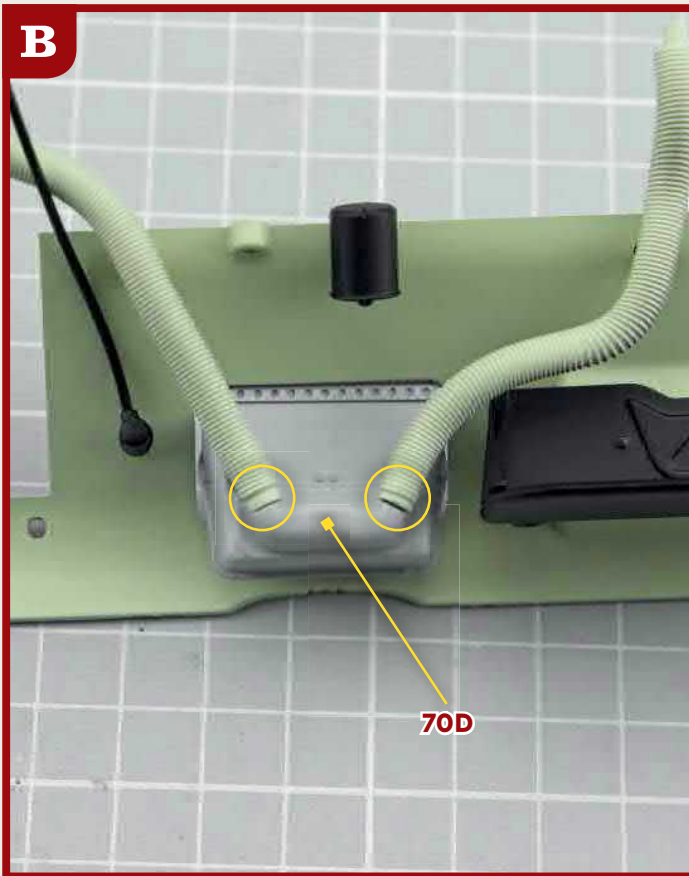


**70 PARTS LIST**

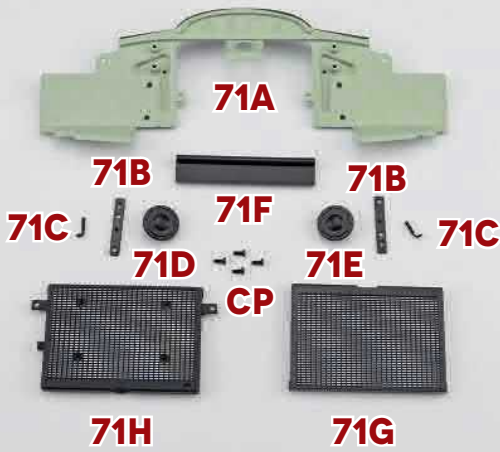


- 70A** Pipe 1
- 70B** Pipe 2
- 70C** Case 1
- 70D** Case 2
- GP** 6 screws (2.3x4 mm)
- KP** 2 screws (1.7x4 mm)

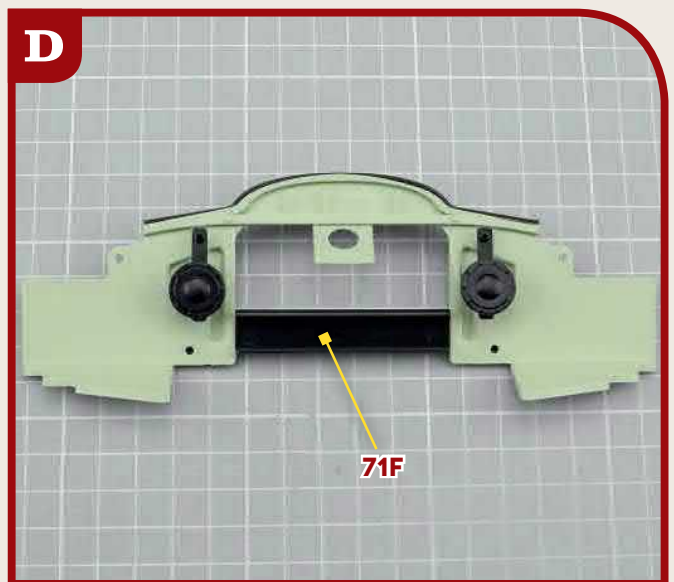
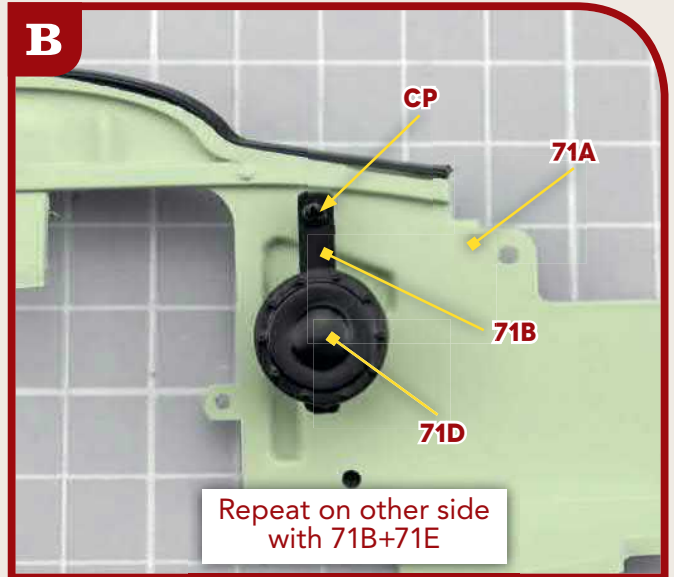
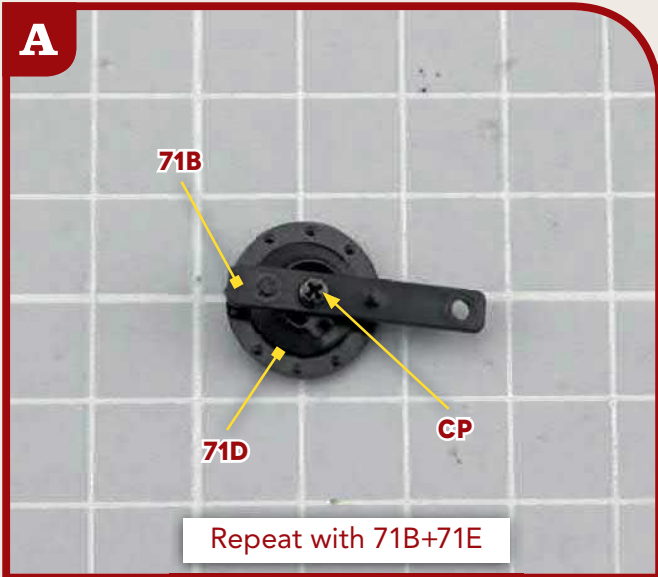




**71 PARTS LIST**



- 71A** Radiator mount
- 71B** Horn brackets
- 71C** Horn wires
- 71D** Horn 1 (L)
- 71E** Horn 2 (R)
- 71F** Radiator bracket
- 71G** Radiator front
- 71H** Radiator rear
- CP** 4 screws (1.7x4 mm)



## 72 PARTS LIST



**72A** Radiator cover

**72B** Hose

**72C** Pipe 1

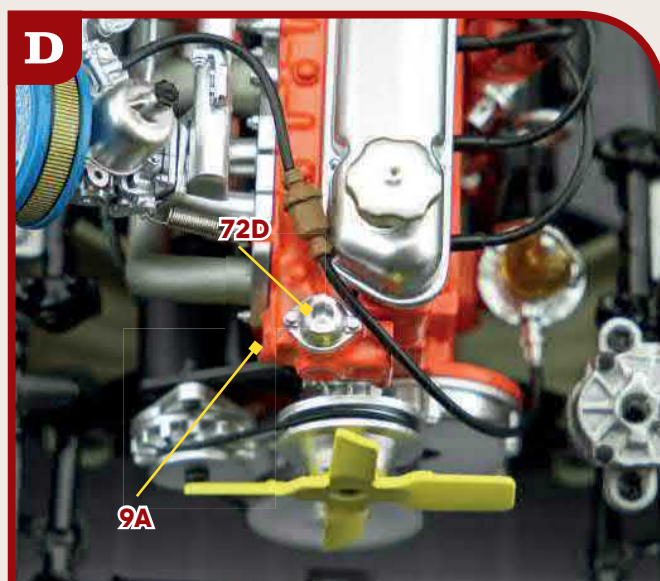
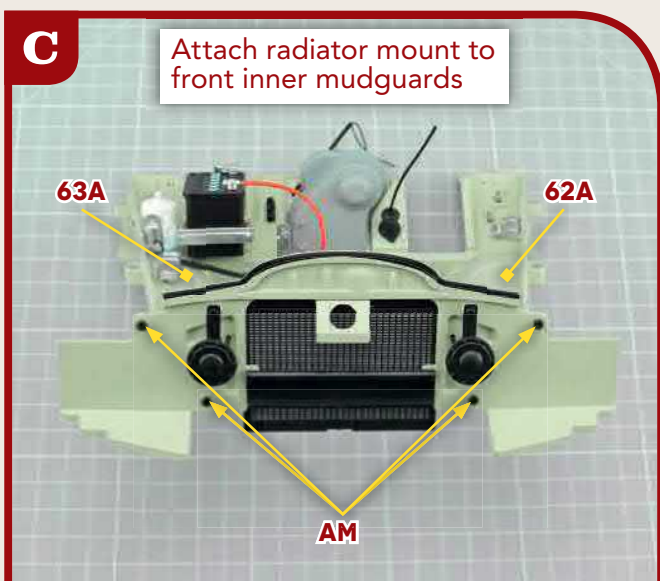
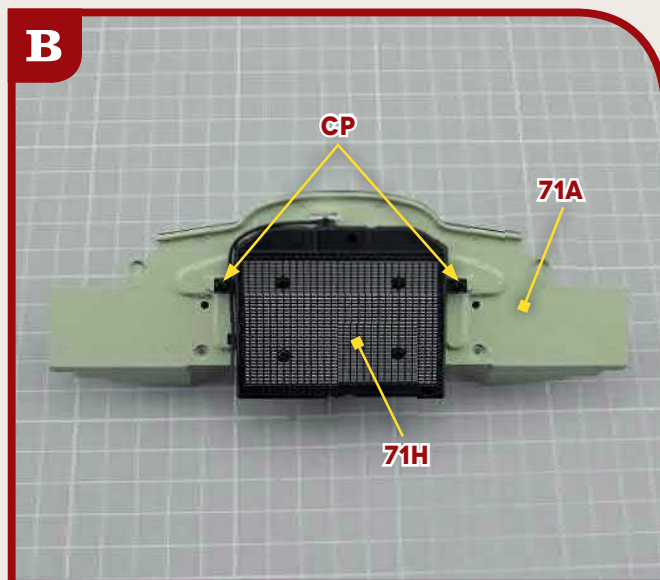
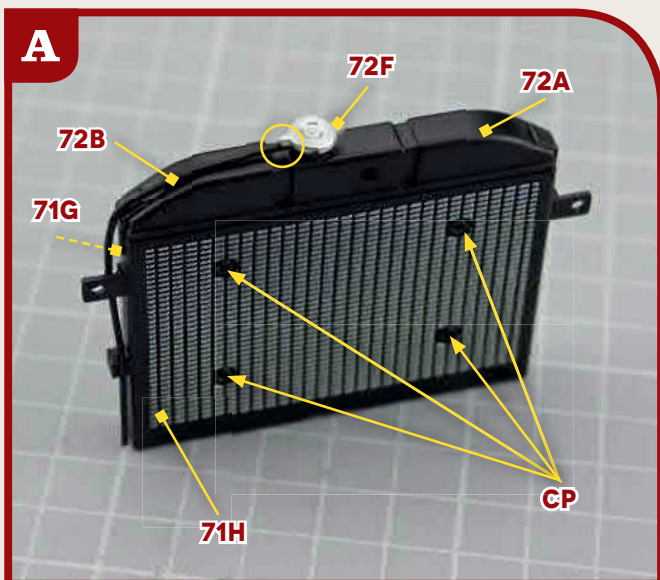
**72D** Cap 1

**72E** Pipe 2

**72F** Cap 2

**AM** 4 screws (2x4 mm)

**CP** 6 screws (1.7x4 mm)





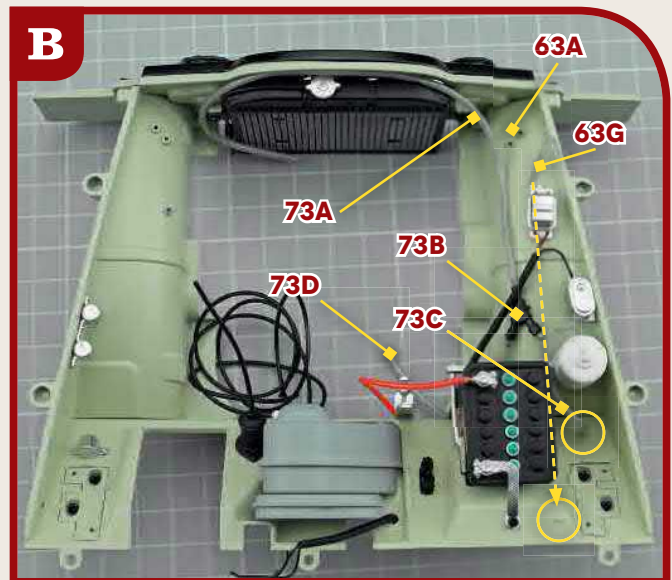
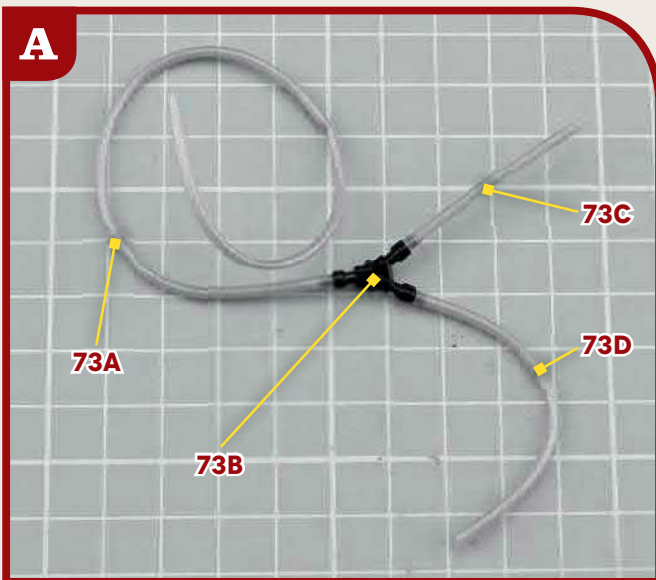
**73 PARTS LIST**

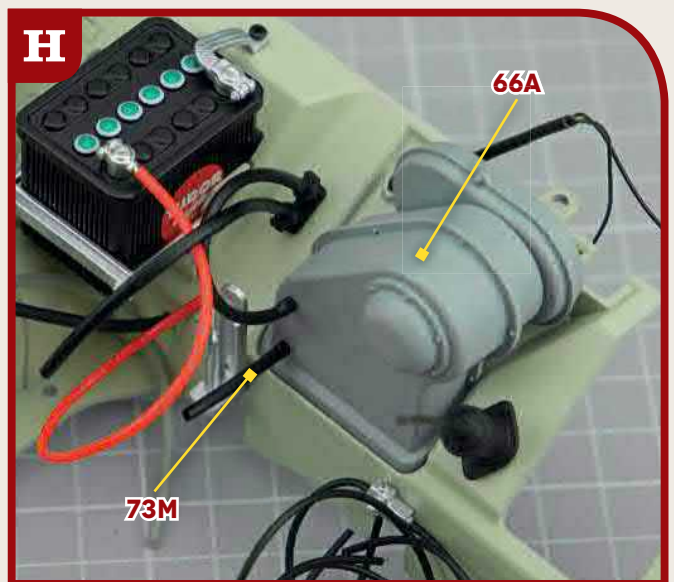
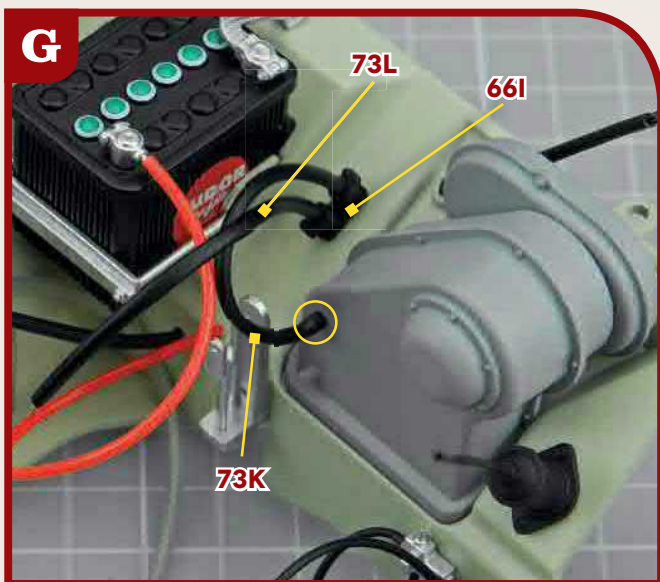
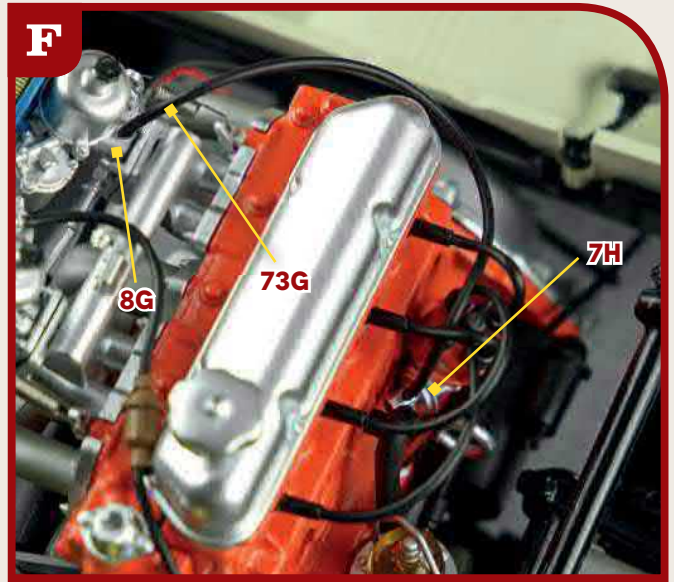
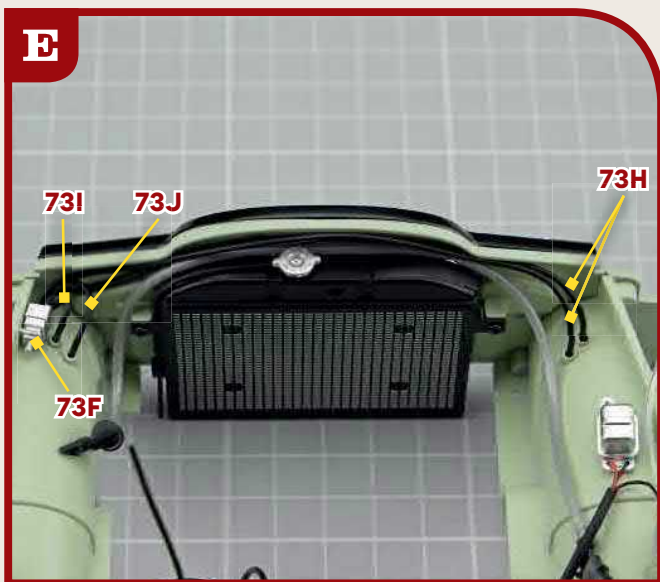
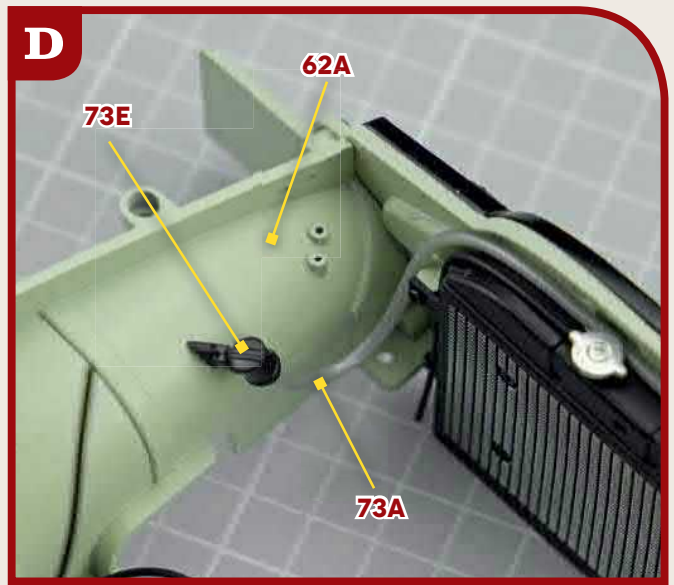
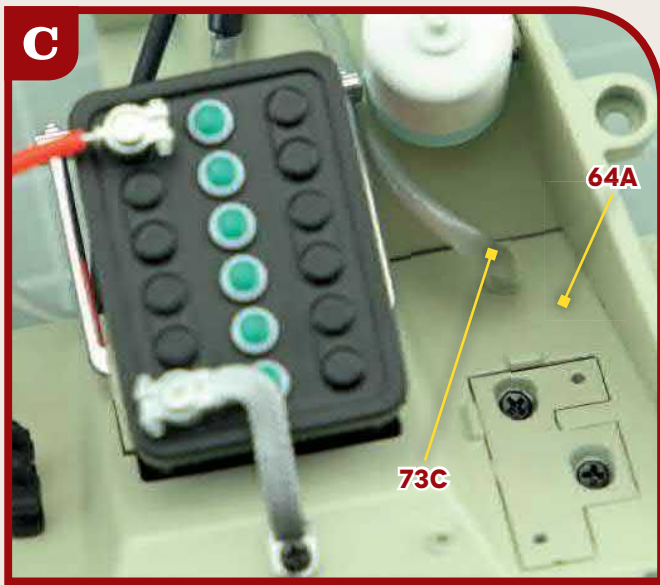


- 73A** Hose 1
- 73B** Connector 1
- 73C** Hose 2
- 73D** Hose 3
- 73E** Connector 2

- 73F** Connector 3
- 73G** Hose 4
- 73H** Wires 1
- 73I** Wire 2
- 73J** Wire 3

- 73K** Hose 5
- 73L** Hose 6
- 73M** Hose 7



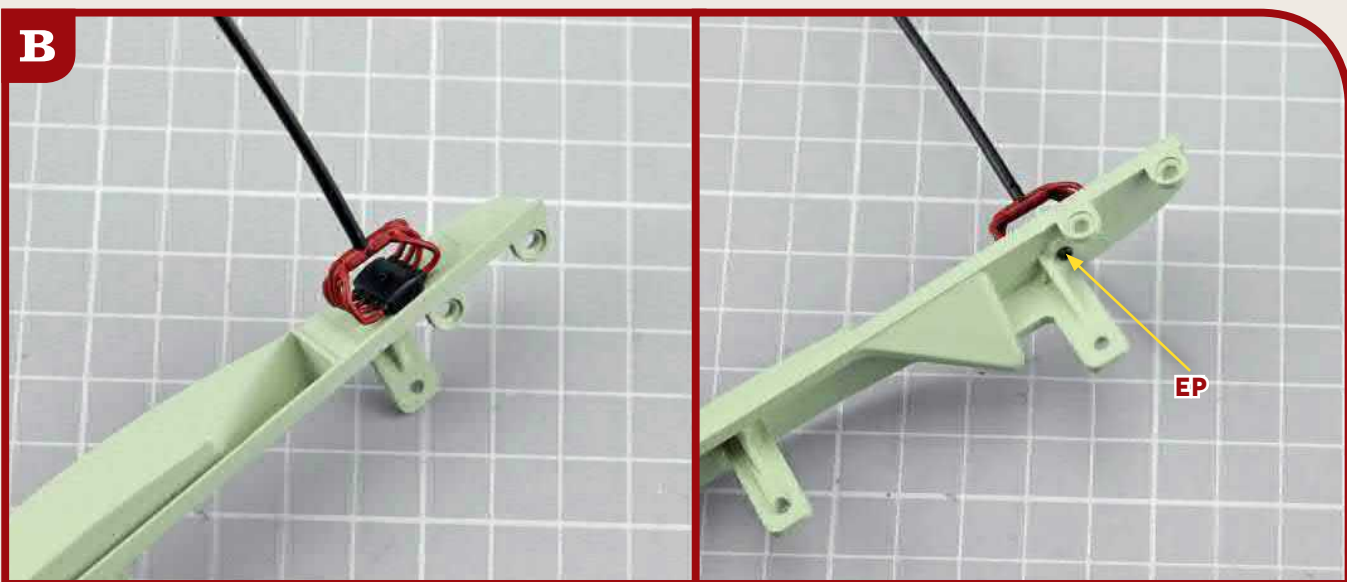
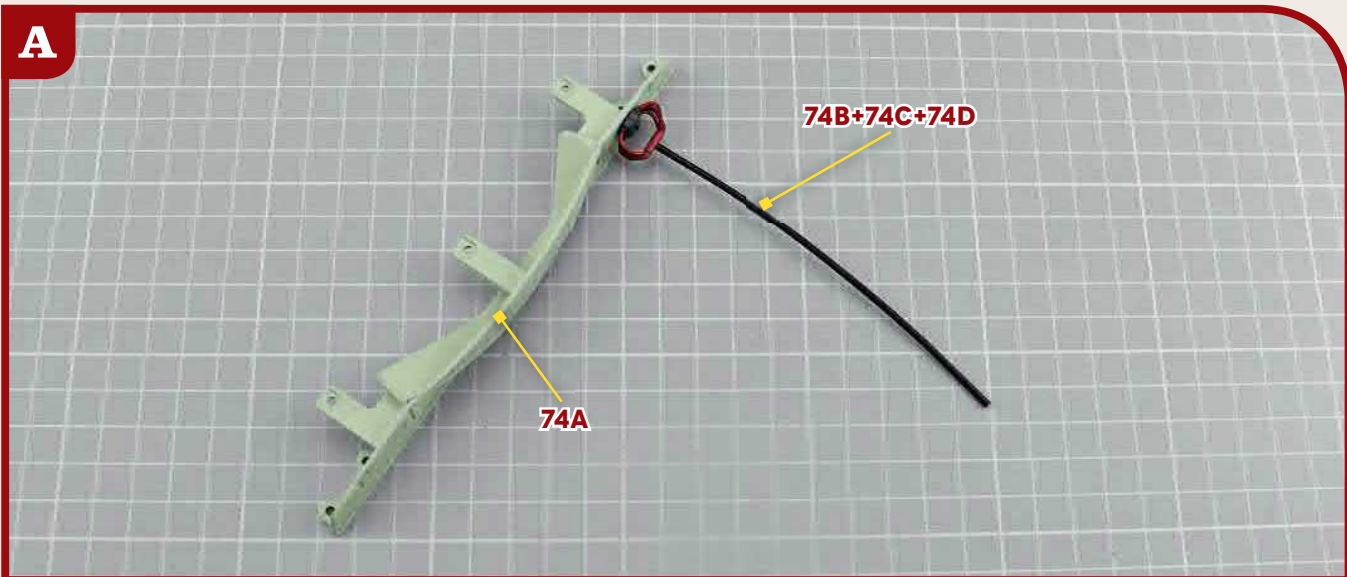


**74 PARTS LIST**



- 74A** Dashboard mount
- 74B** Fuse box
- 74C** Wires
- 74D** Sleeve

**EP** 1 screw (1.5x4 mm)



**75 PARTS LIST**

**75A**



**75D**



**75B**



**75C**

**75A** Dashboard upper part  
**75B** Instrument panel bracket

**75C** Glass  
**75D** Instrument panel

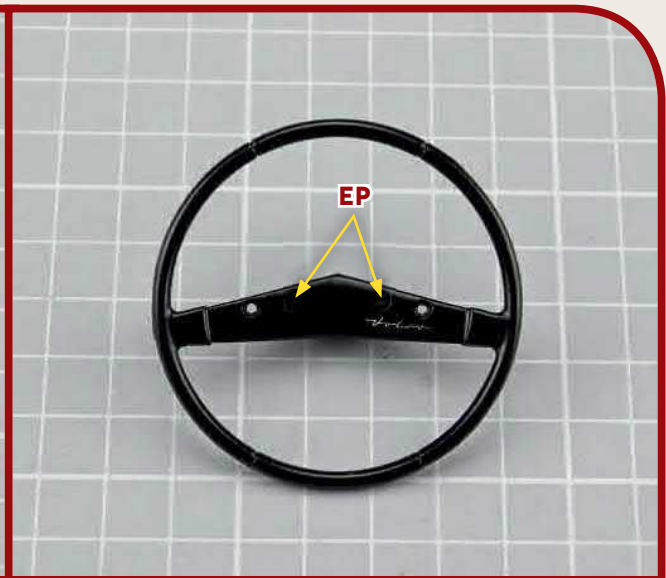
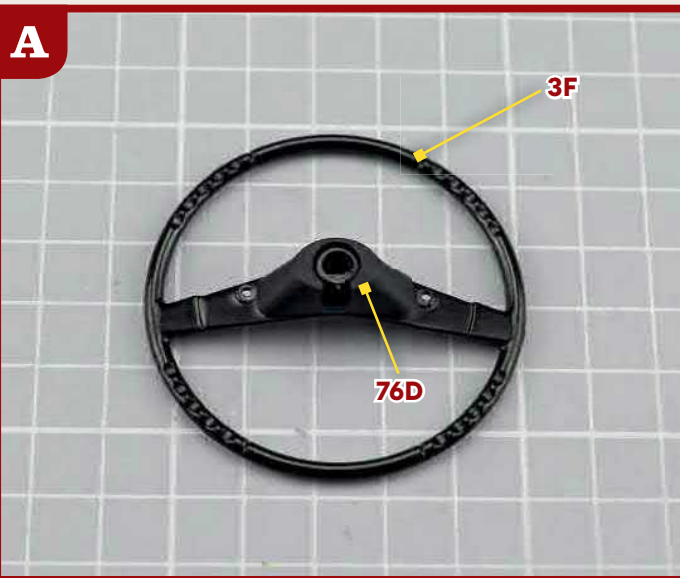
**76 PARTS LIST**

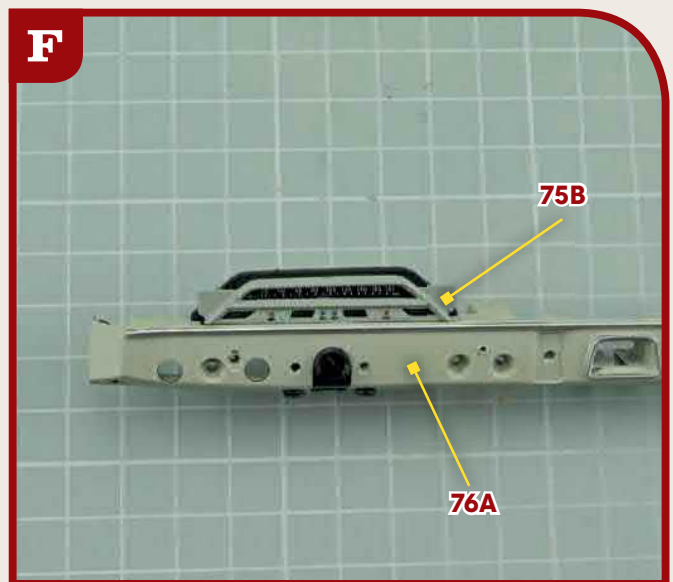
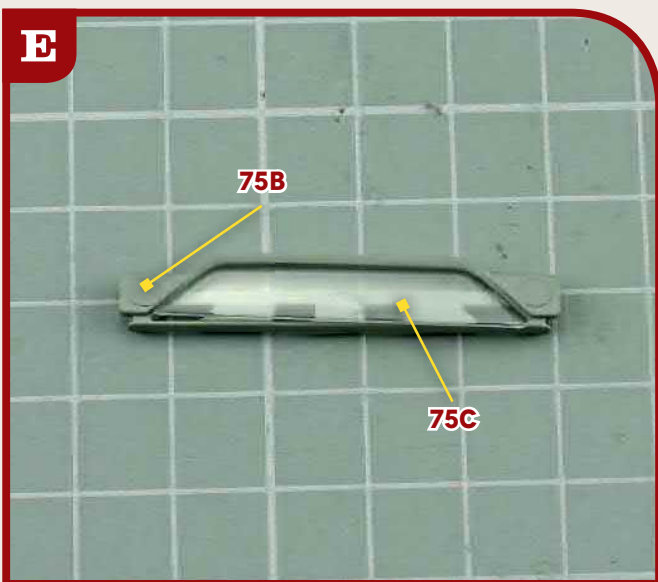
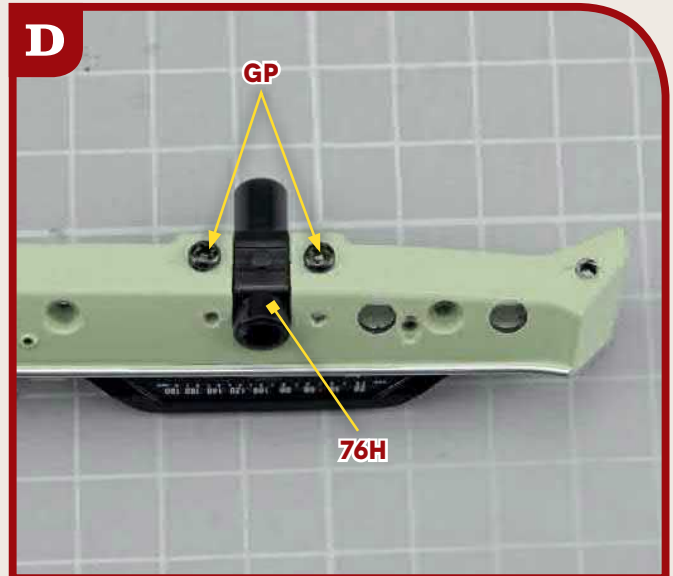
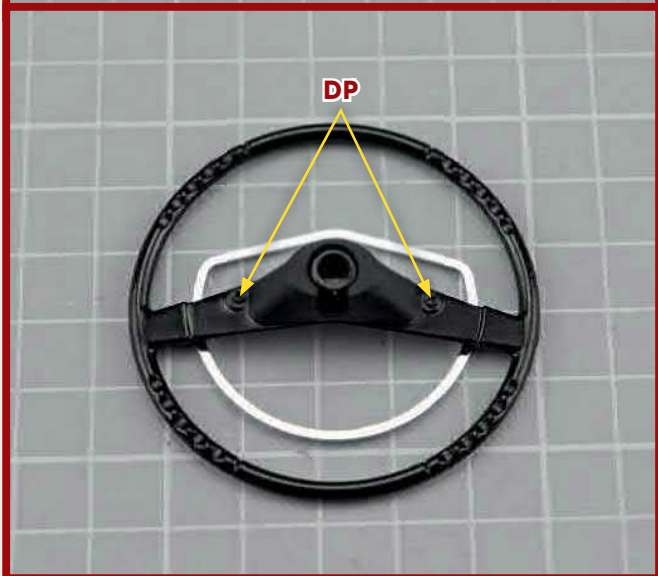
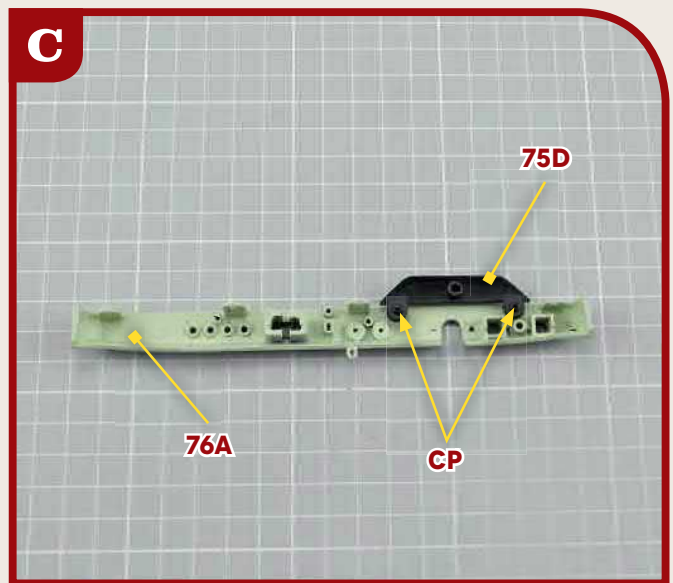
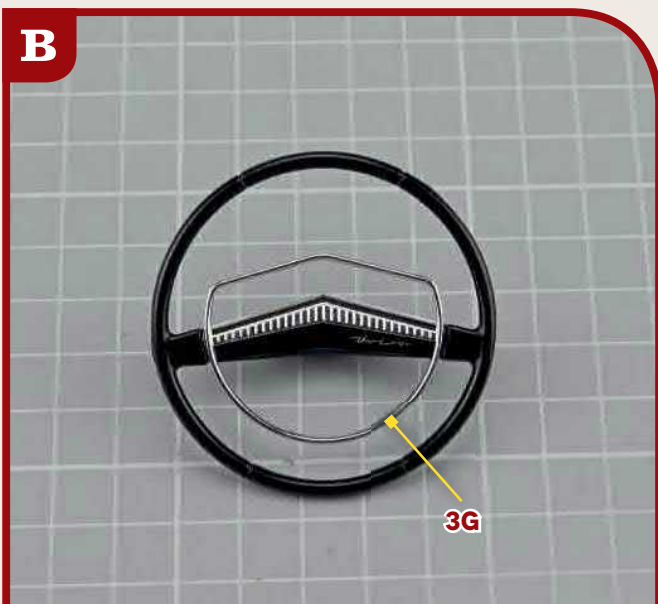


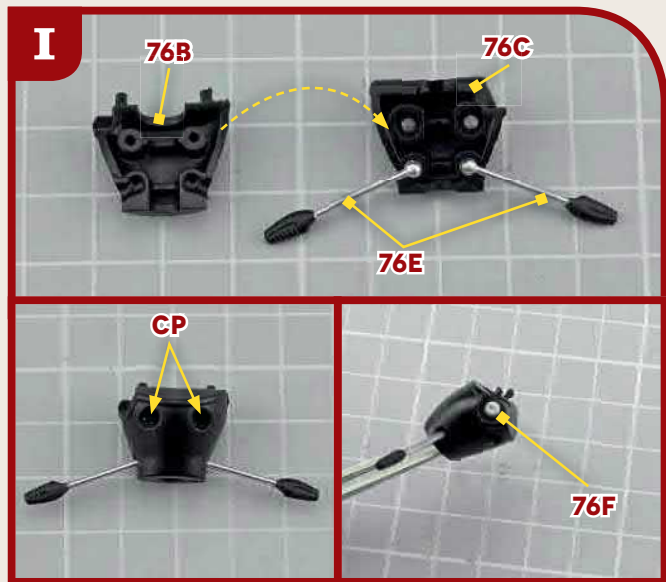
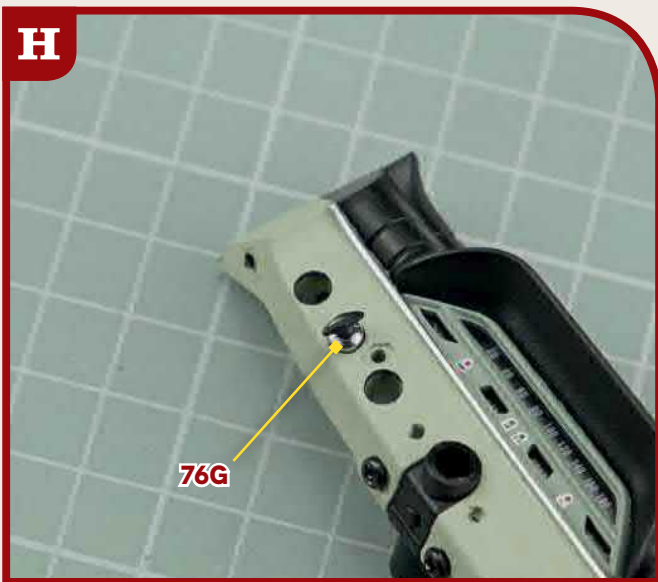
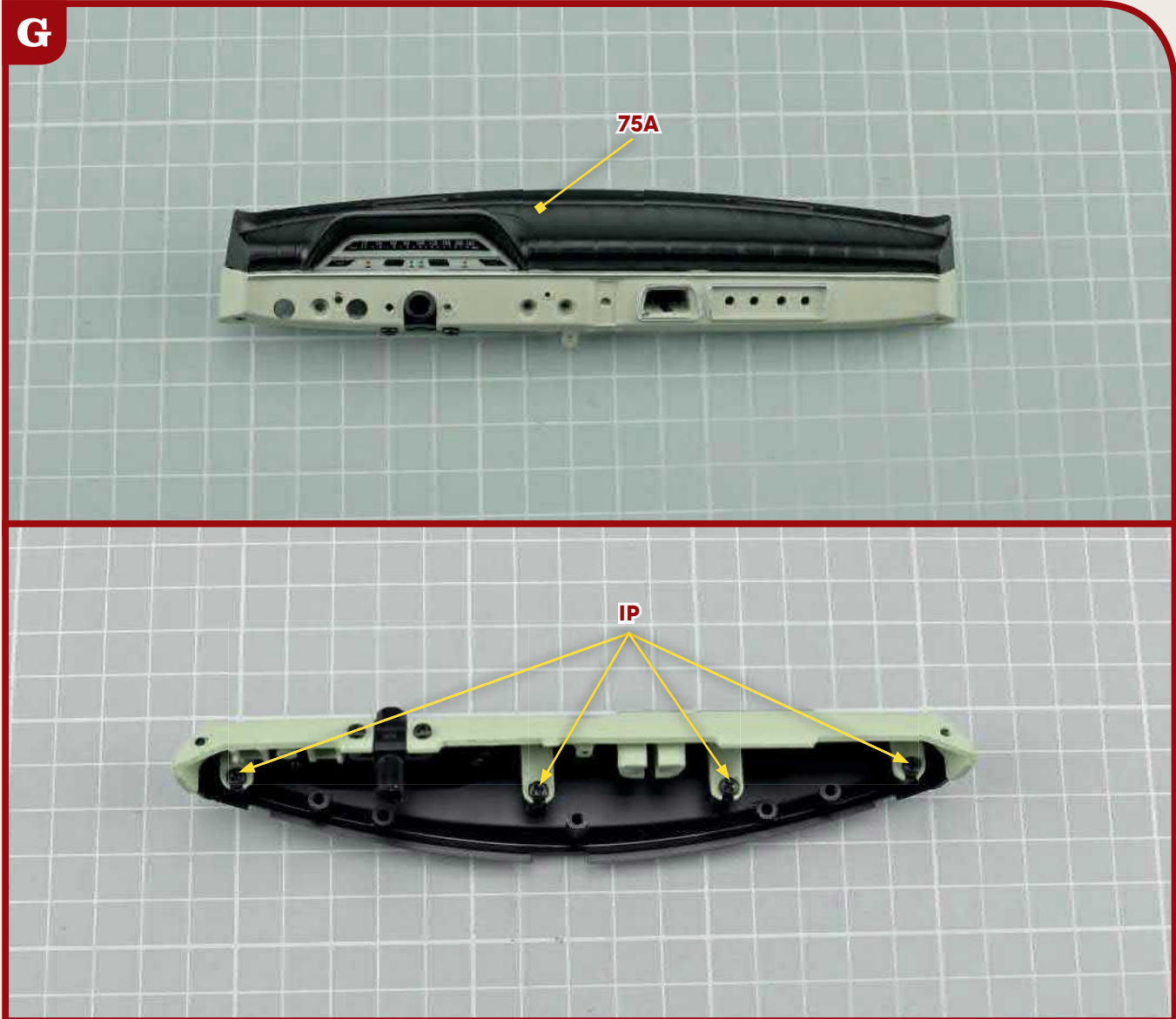
**76A** Dashboard lower part  
**76B** Switches mount 1  
**76C** Switches mount 2  
**76D** Steering wheel mount  
**76E** Switches

**76F** Starter switch  
**76G** Lights switch  
**76H** Steering column mount  
**CP** 4 screws (1.7x4 mm)

**DP** 2 screws (1.2x3 mm)  
**EP** 2 screws (1.5x4 mm)  
**GP** 2 screws (2.3x4 mm)  
**IP** 4 screws (2.3x4 mm)







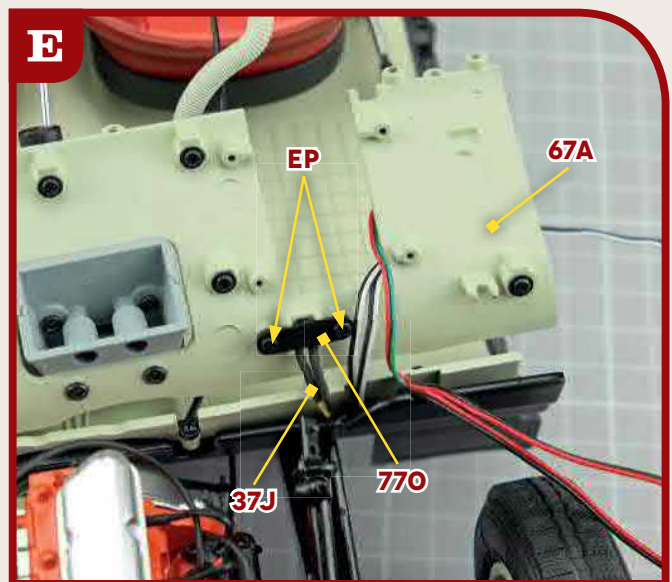
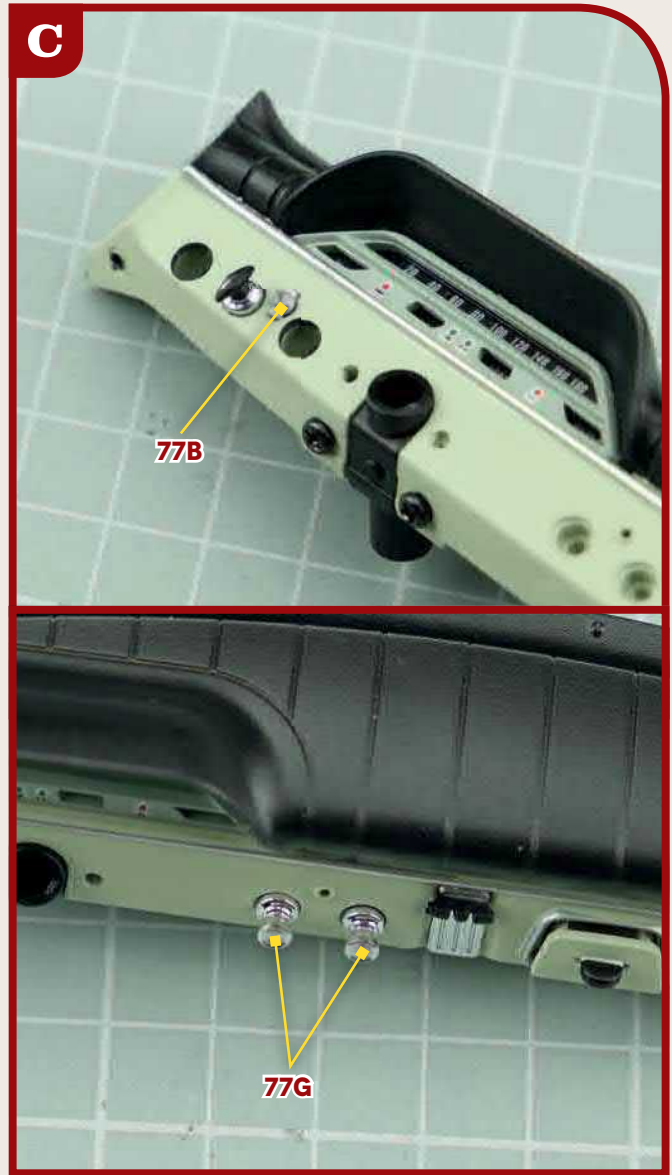
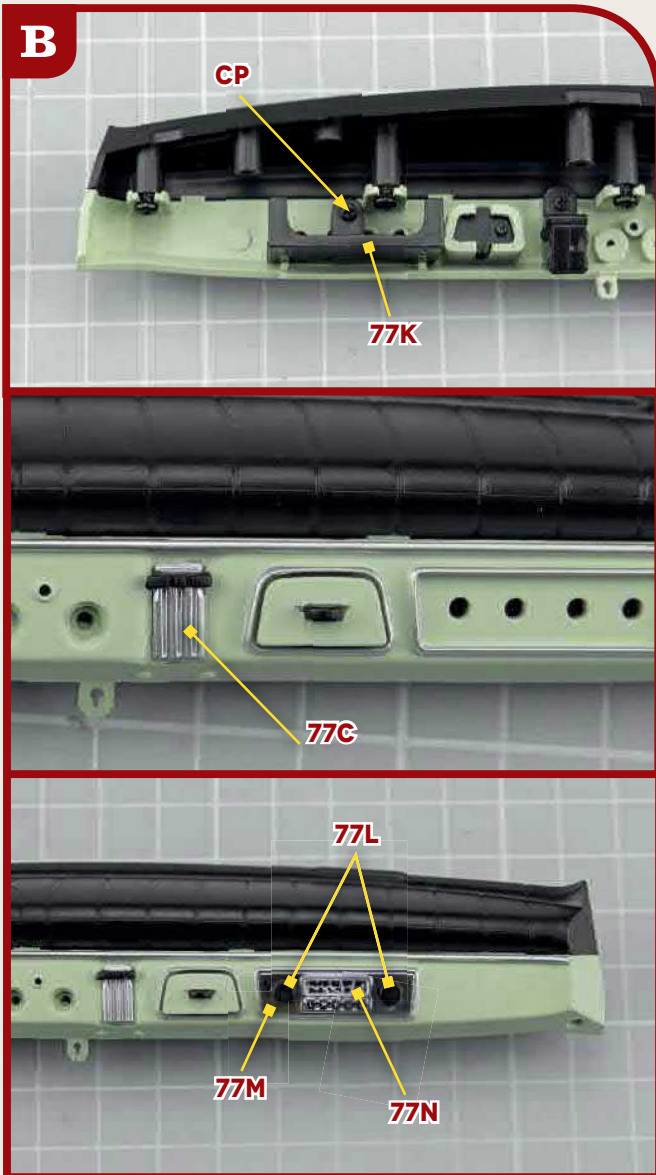
**77 PARTS LIST**

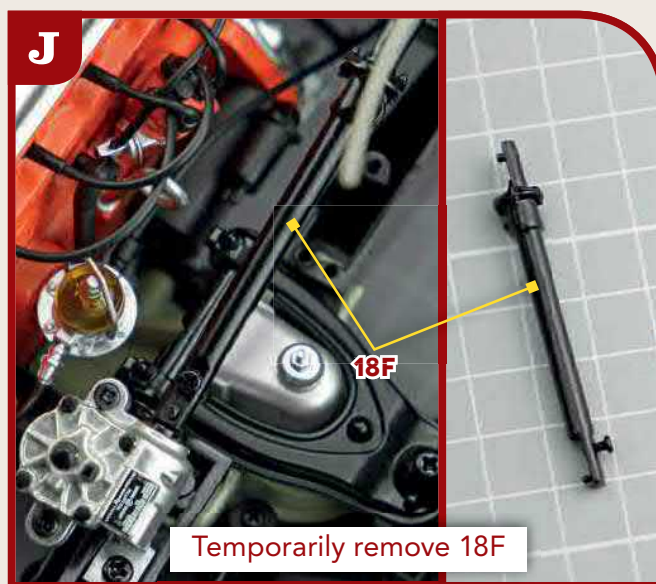
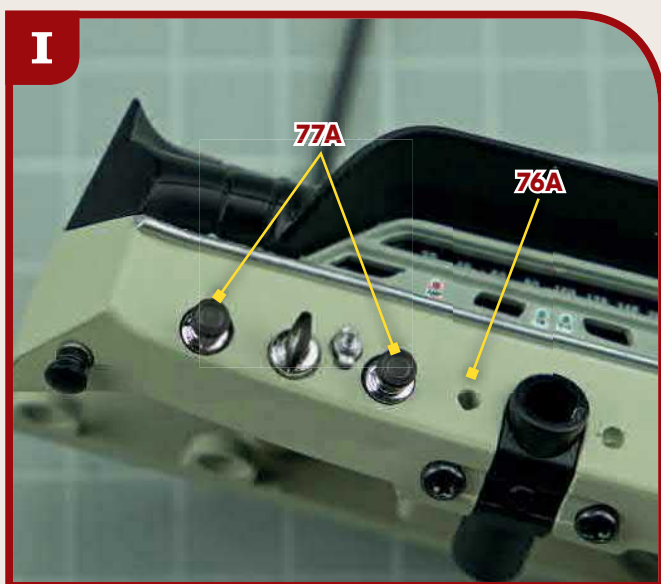
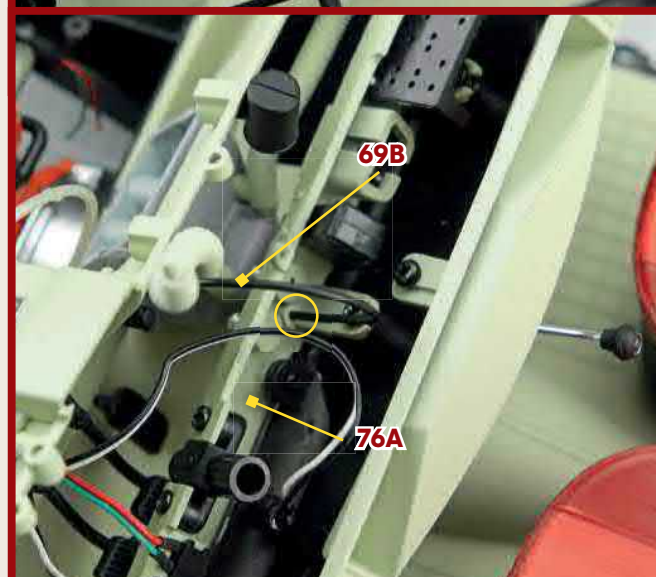
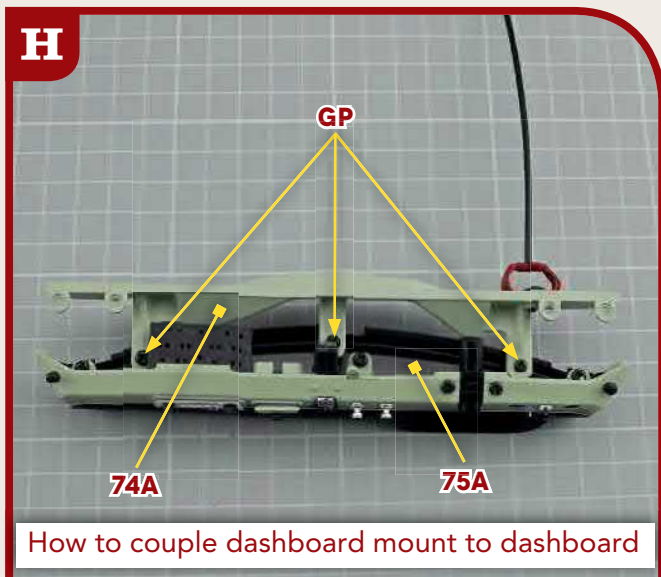
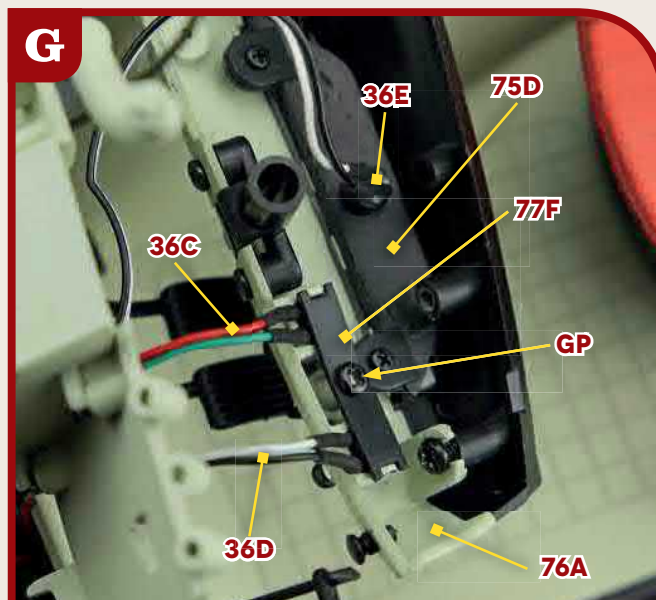
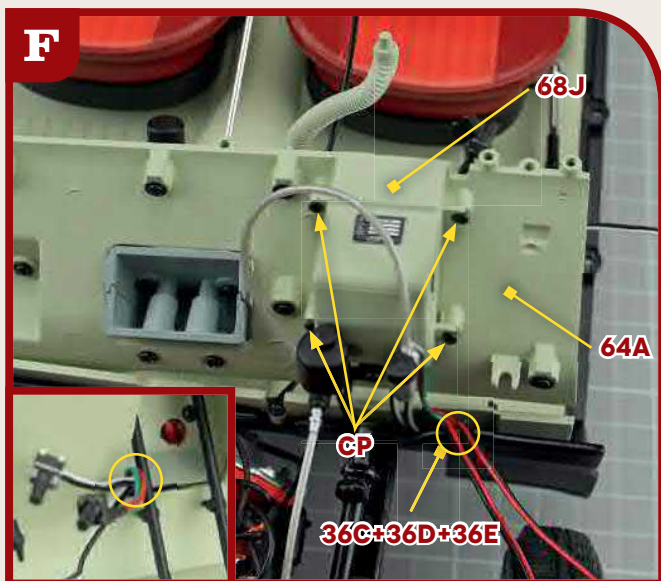


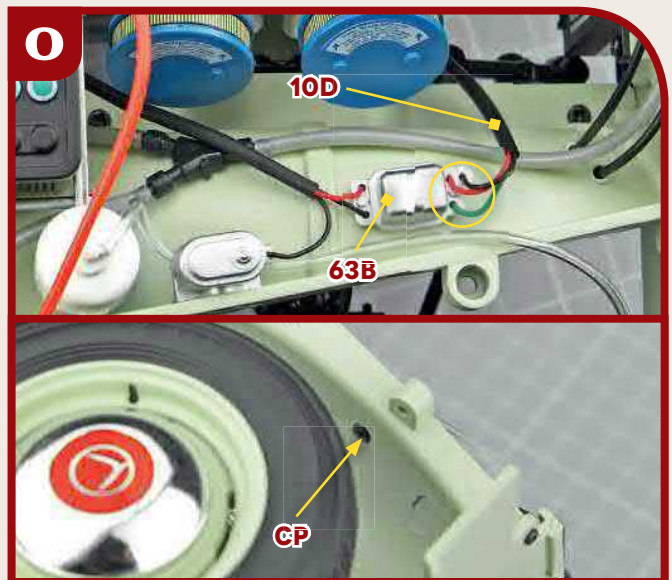
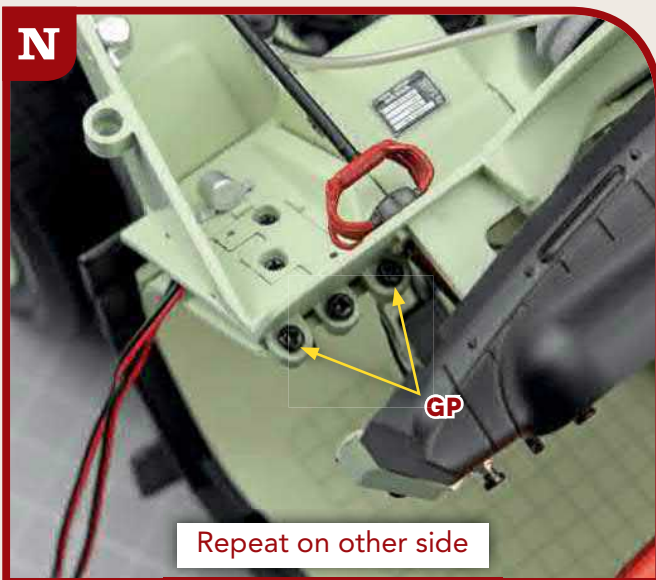
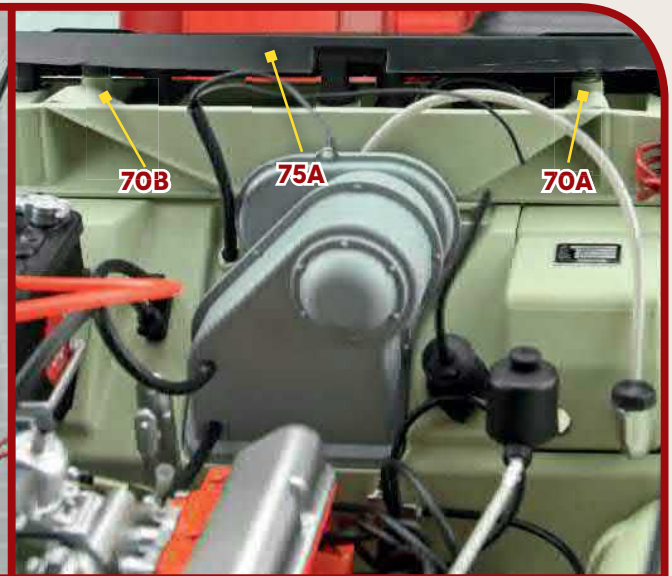
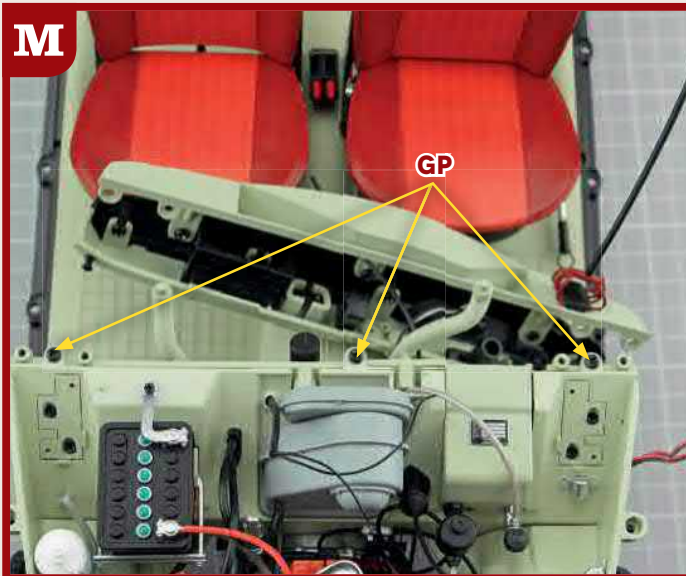
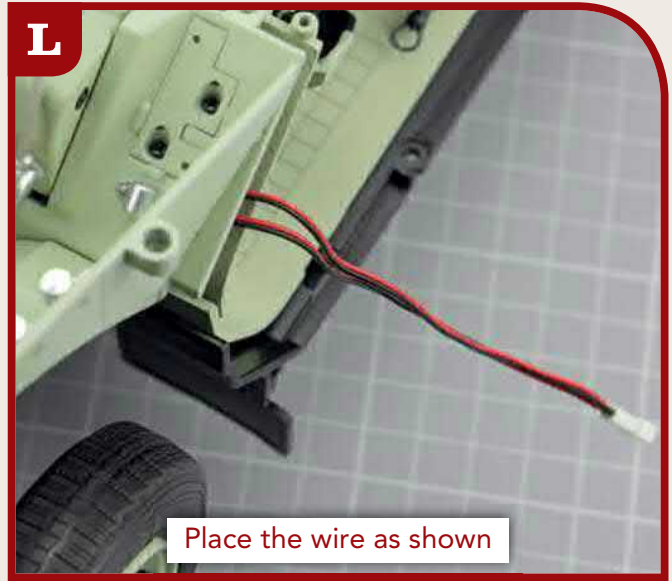
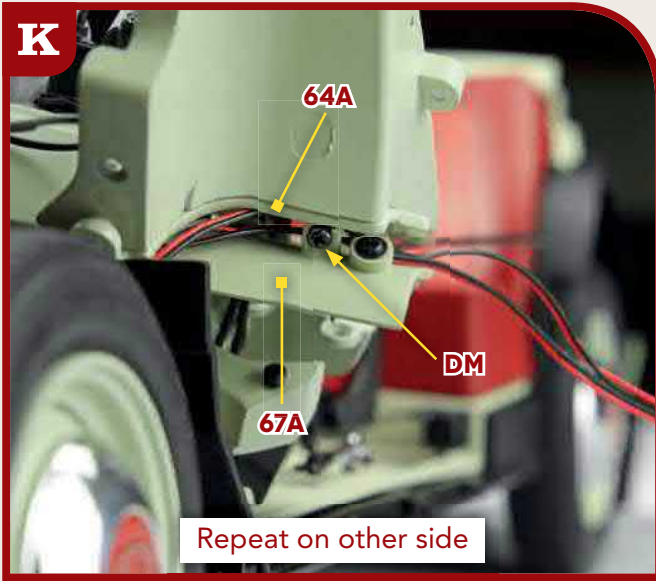
- |                               |                           |                                |
|-------------------------------|---------------------------|--------------------------------|
| <b>77A</b> Switches 1         | <b>77J</b> Drawer bracket | <b>AM</b> 5 screws (2x4 mm)    |
| <b>77B</b> Switch 2           | <b>77K</b> Radio system   | <b>DM</b> 2 screws (2.3x4 mm)  |
| <b>77C</b> Heating switch     | <b>77L</b> Radio switches | <b>EM</b> 1 screw (1.7x4 mm)   |
| <b>77D</b> Switch 3 (L)       | <b>77M</b> Radio panel    | <b>BP</b> 1 screw (1.2x4 mm)   |
| <b>77E</b> Switch 4 (R)       | <b>77N</b> Radio glass    | <b>CP</b> 6 screws (1.7x4 mm)  |
| <b>77F</b> Bracket 1          | <b>77O</b> Bracket 2      | <b>EP</b> 3 screws (1.5x4 mm)  |
| <b>77G</b> Switches 5         | <b>77P</b> Linkage 1      | <b>GP</b> 13 screws (2.3x4 mm) |
| <b>77H</b> Ventilation switch | <b>77Q</b> Linkage 2      |                                |
| <b>77I</b> Drawer             |                           |                                |

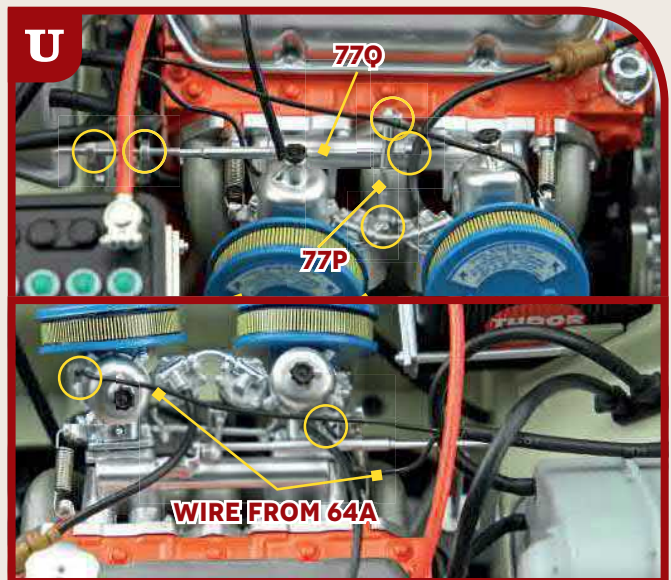
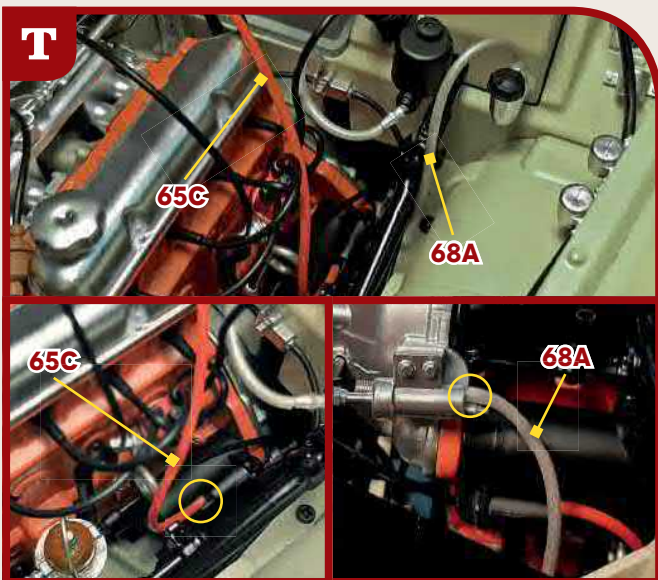
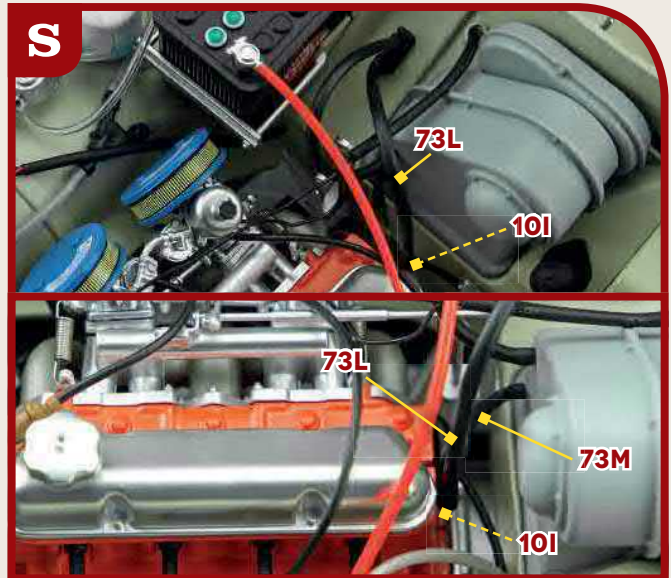
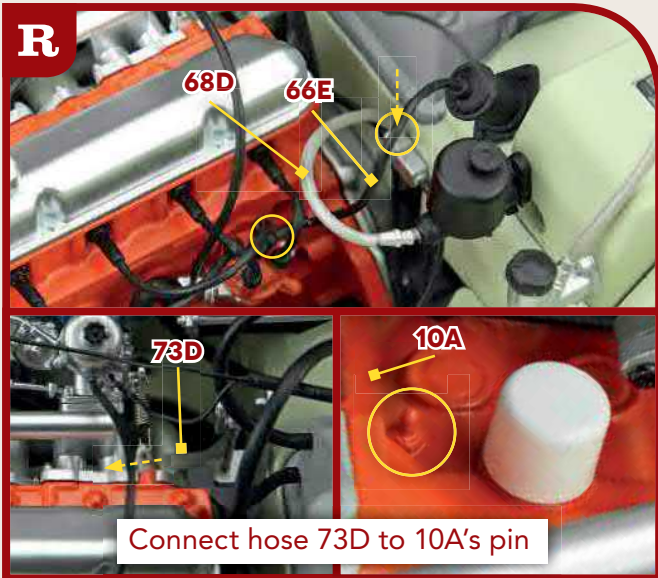
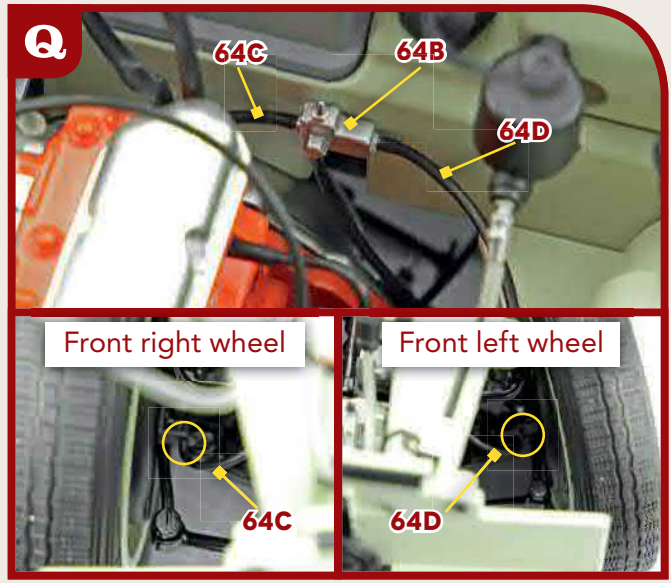
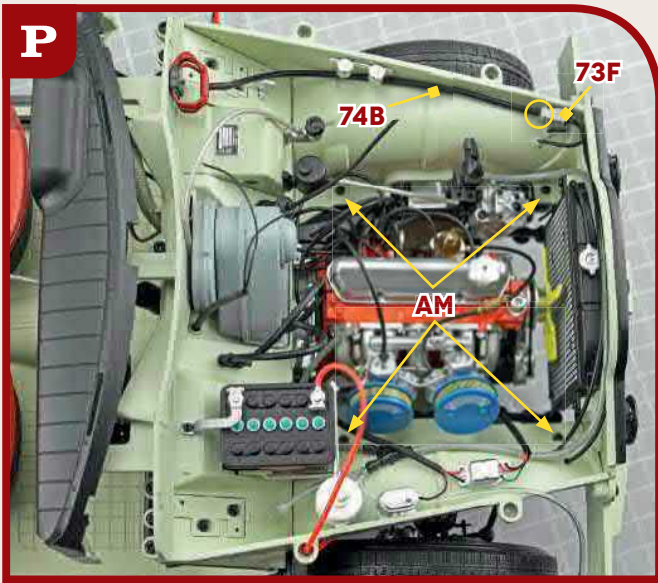


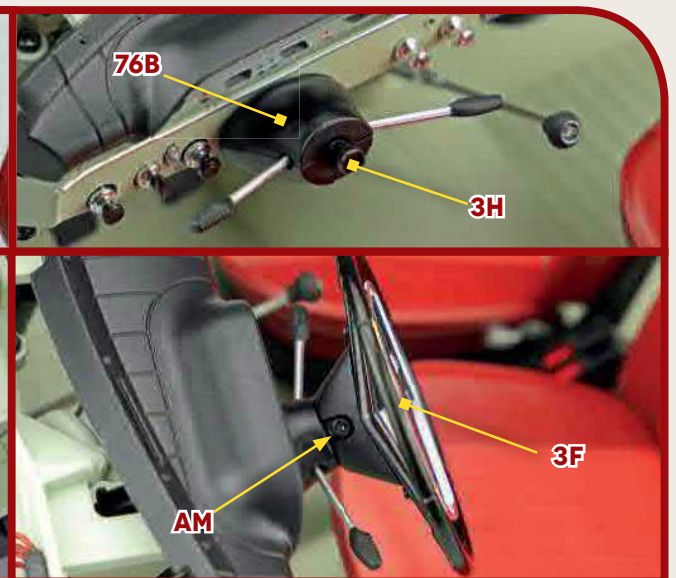
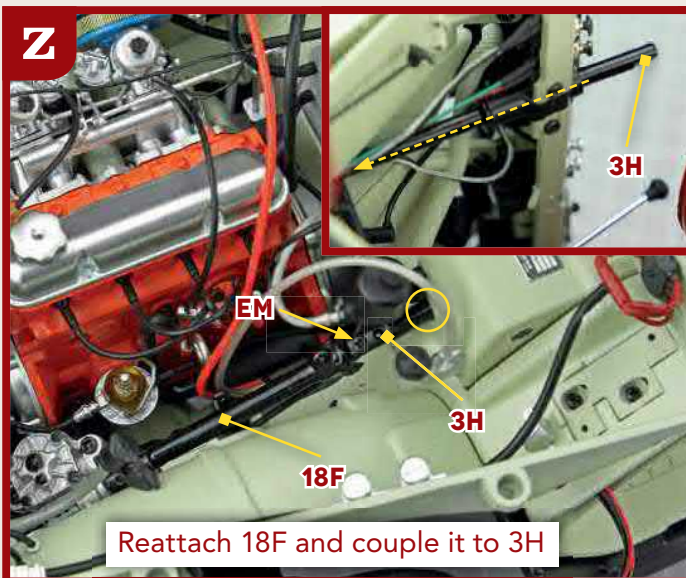
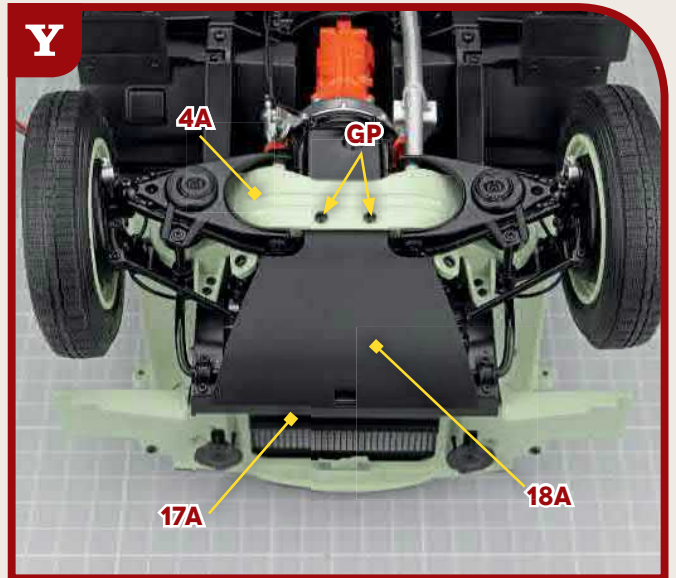
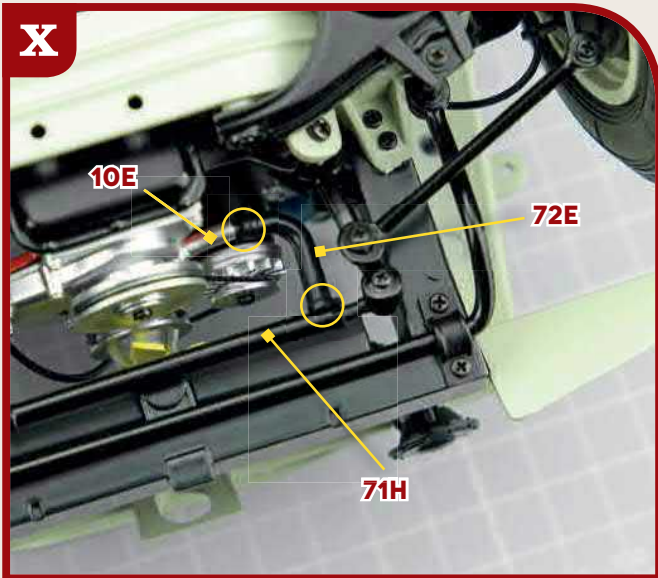
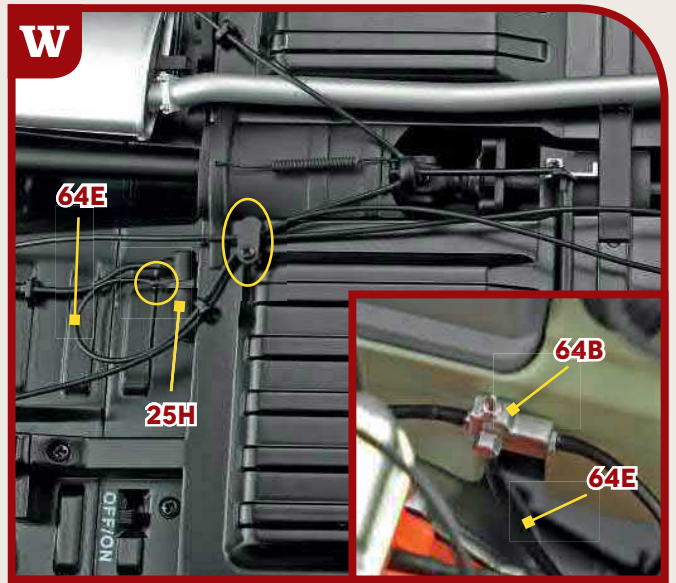
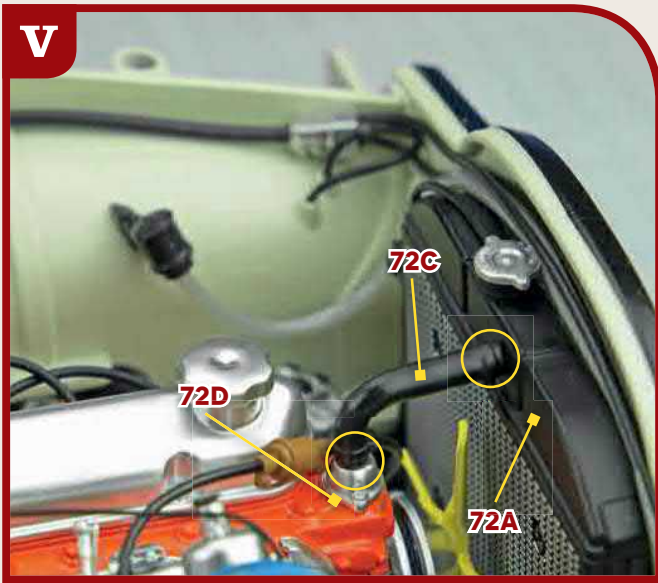












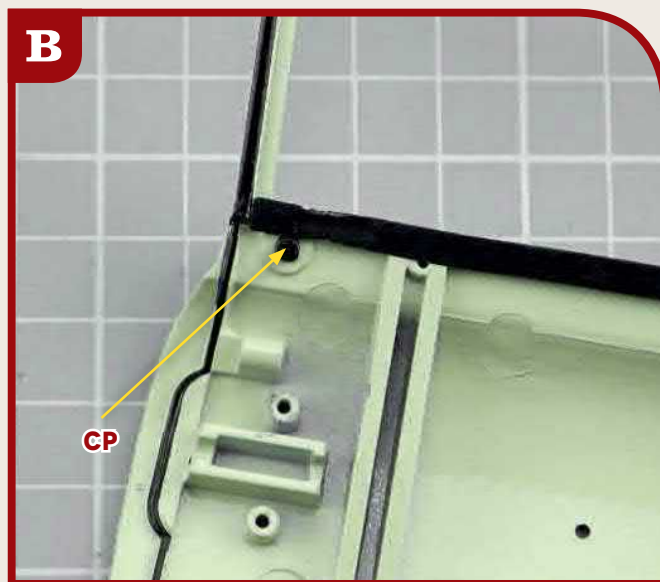
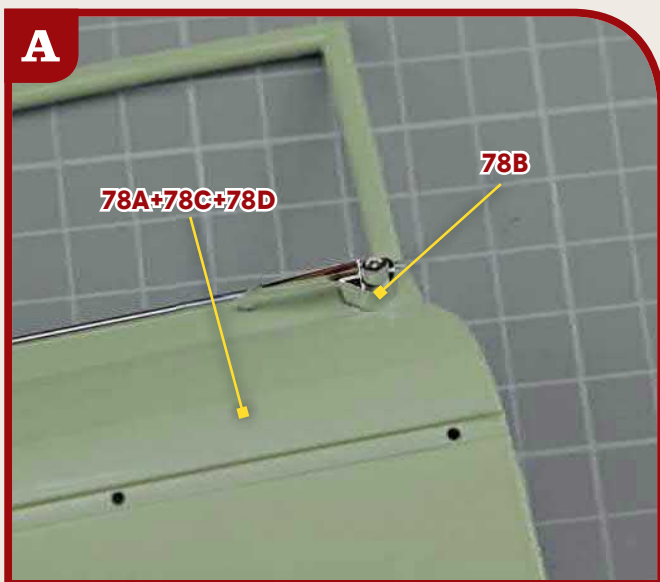
Reattach 18F and couple it to 3H

**78 PARTS LIST**

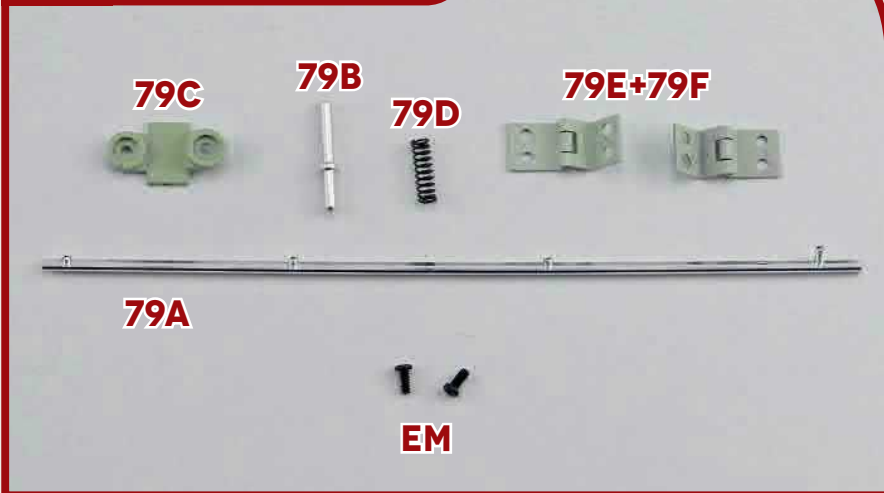


**78A** Left door  
**78B** Handle  
**78C** Sticker 1

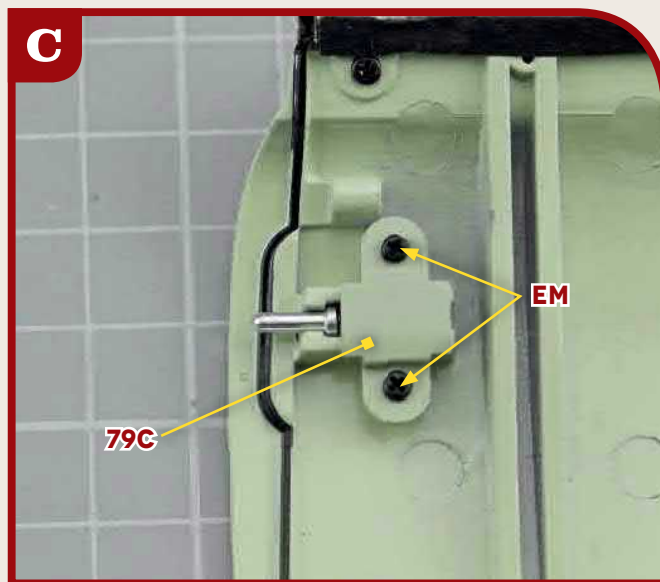
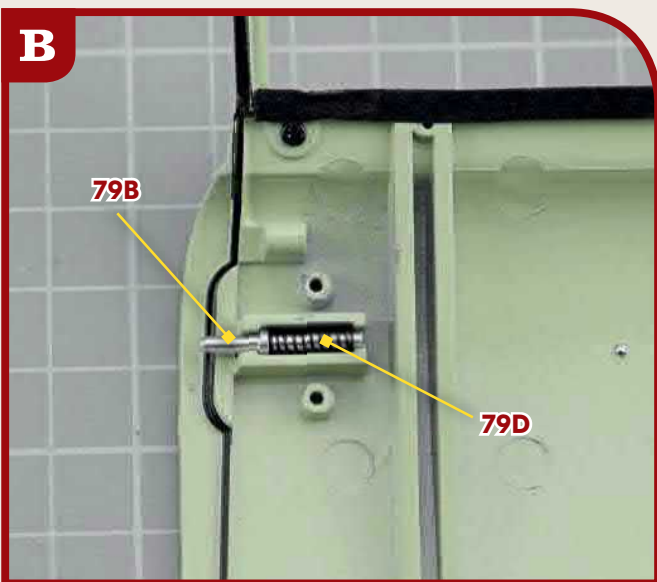
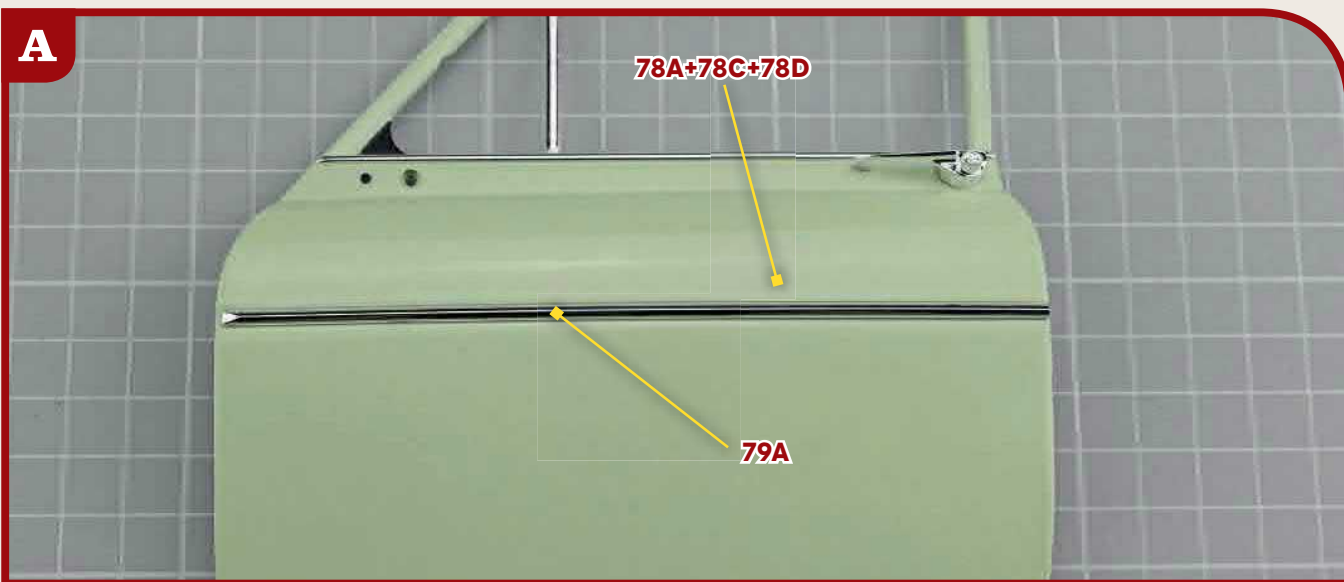
**78D** Sticker 2  
**CP** 1 screw (1.7x4 mm)



**79 PARTS LIST**



- 79A** Door trim
- 79B** Rod
- 79C** Bracket
- 79D** Spring
- 79E** Hinge 1
- 79F** Hinge 2
- EM** 2 screws (1.7x4 mm)



**80 PARTS LIST**



**80A**



**80E**



**80D**



**80B**



**EP**



**CP**

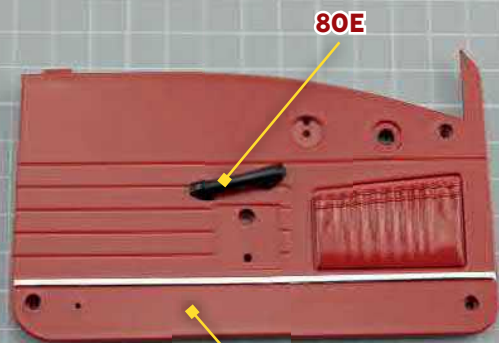


**CP**

- 80A** Left door inner panel
- 80B** Crank
- 80C** Knob
- 80D** Gear
- 80E** Handle

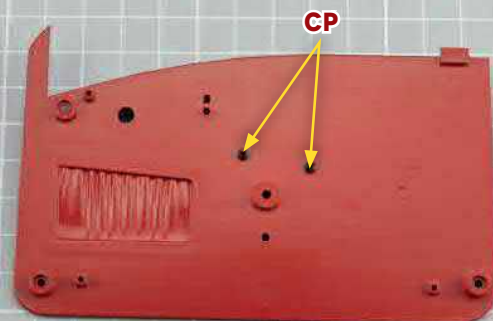
- CP** 2 screws (1.7x4 mm)
- EP** 1 screw (1.5x4 mm)

**A**



**80E**

**80A**



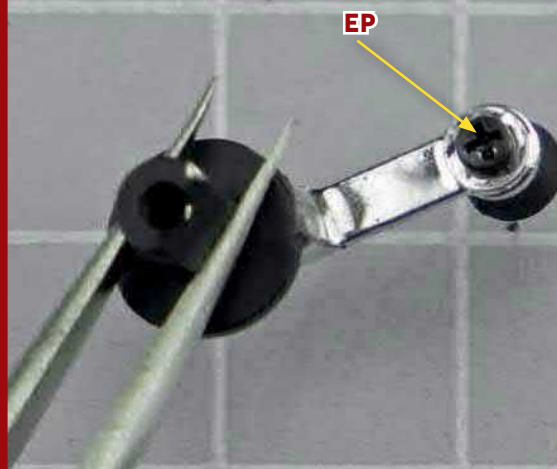
**CP**

**B**



**80C**

**80B**



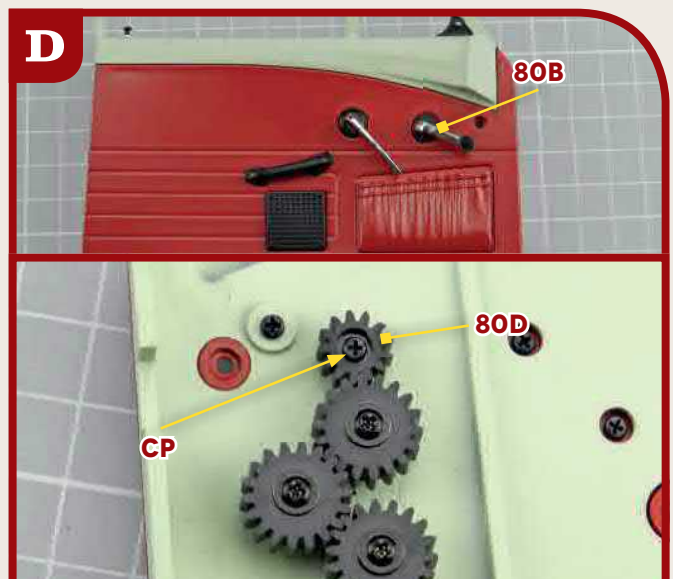
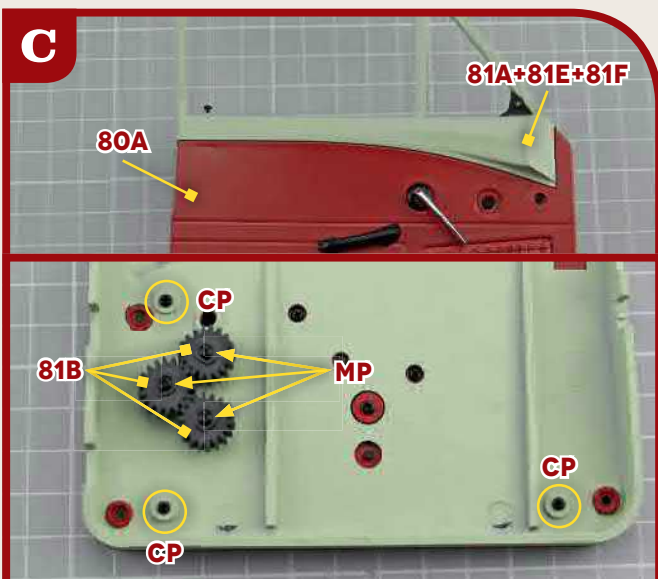
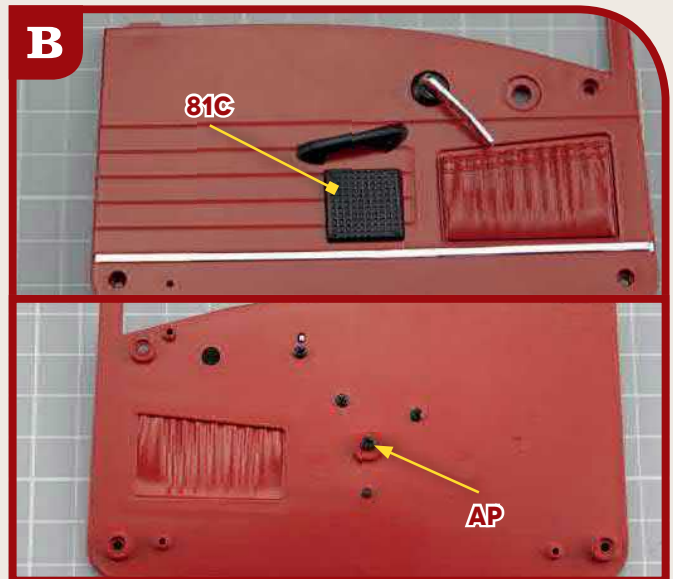
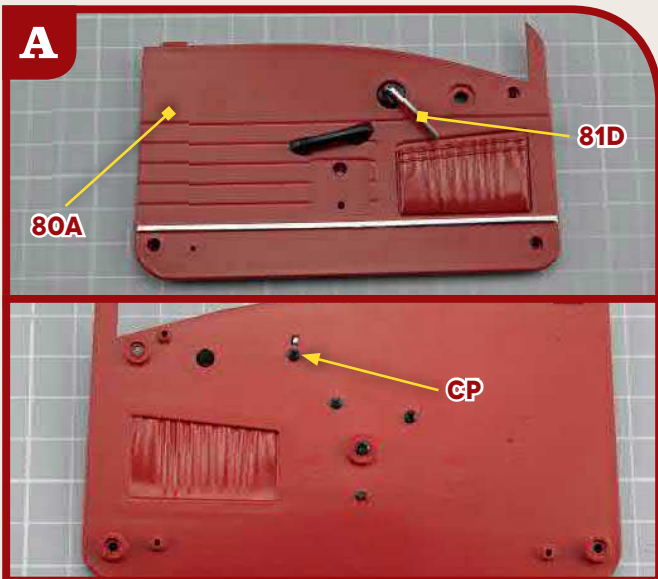
**EP**



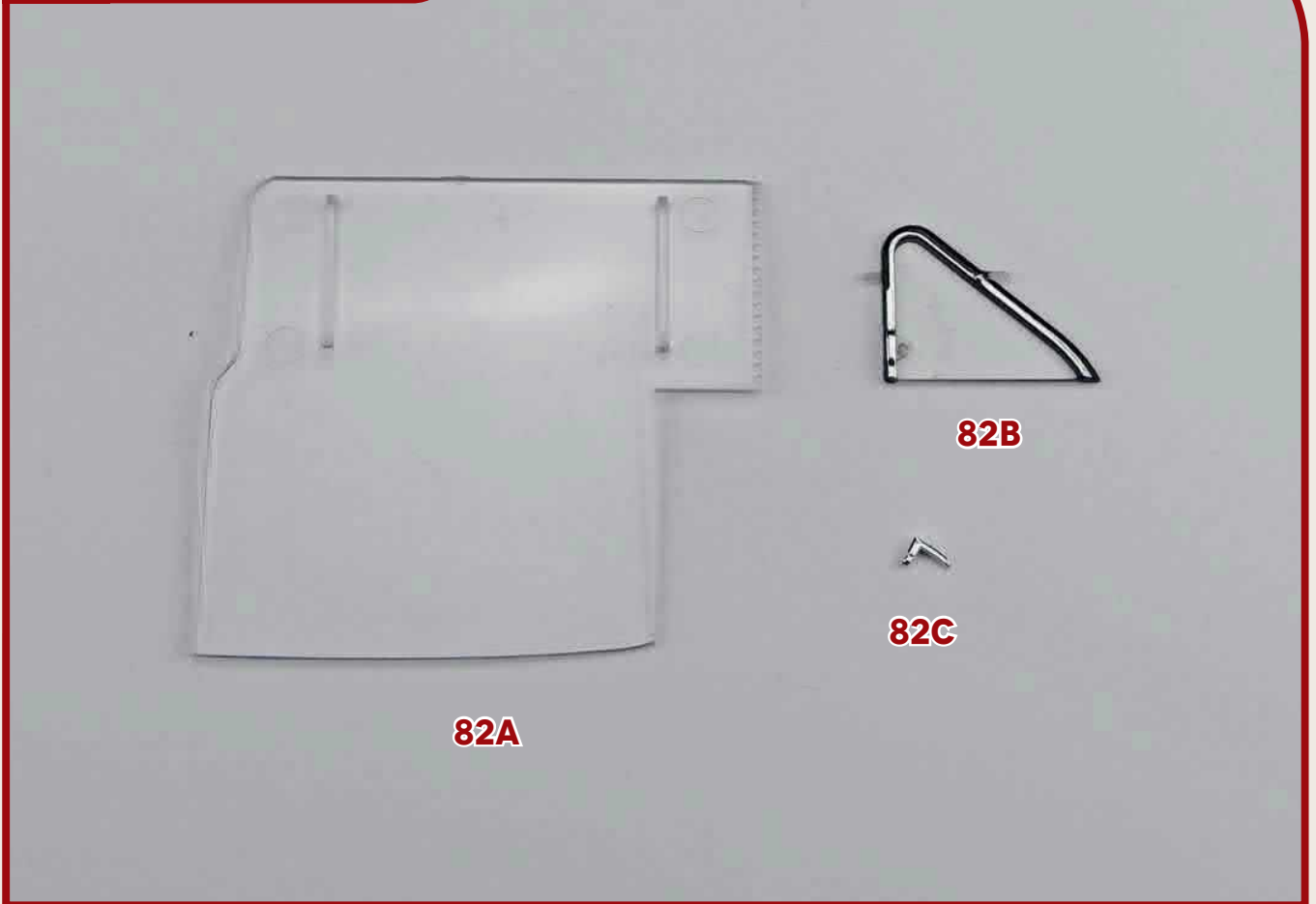
**81 PARTS LIST**



- 81A** Left door inner frame
- 81B** Gears
- 81C** Speaker cover
- 81D** Handle
- 81E** Sticker 1
- 81F** Sticker 2
  
- AP** 1 screw (2x4 mm)
- CP** 5 screws (1.7x4 mm)
- MP** 3 screws (2x4 mm)



**82 PARTS LIST**



- 82A** Left door window
- 82B** Quarter glass
- 82C** Handle

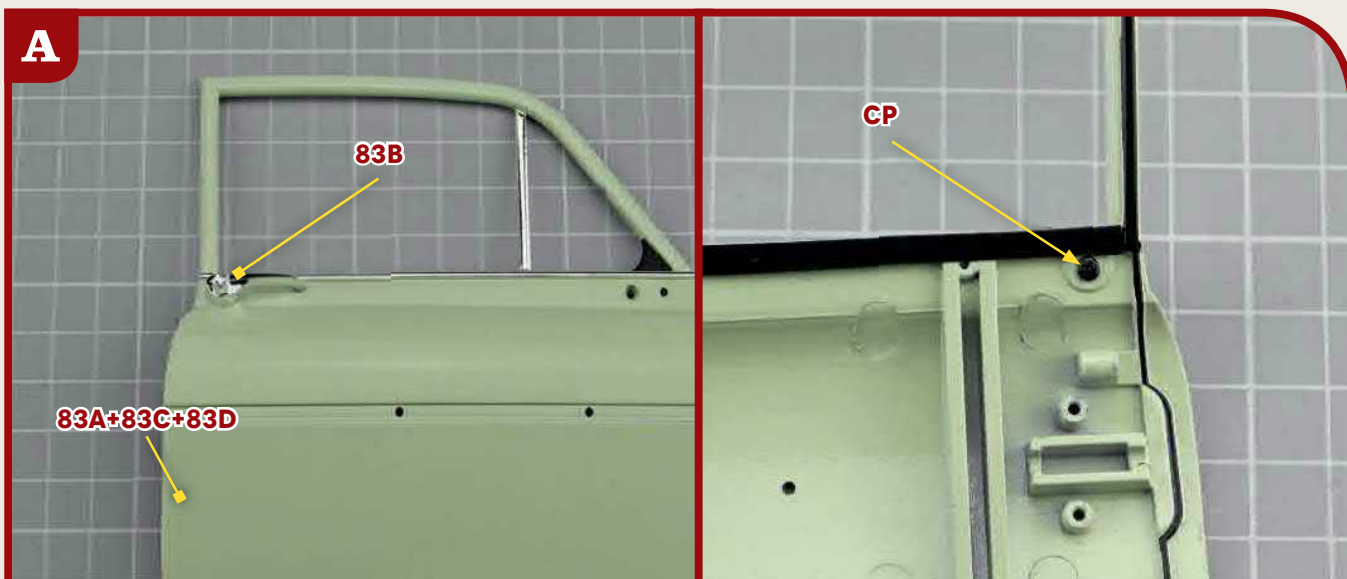


**83 PARTS LIST**



**83A** Right door  
**83B** Handle  
**83C** Sticker 1

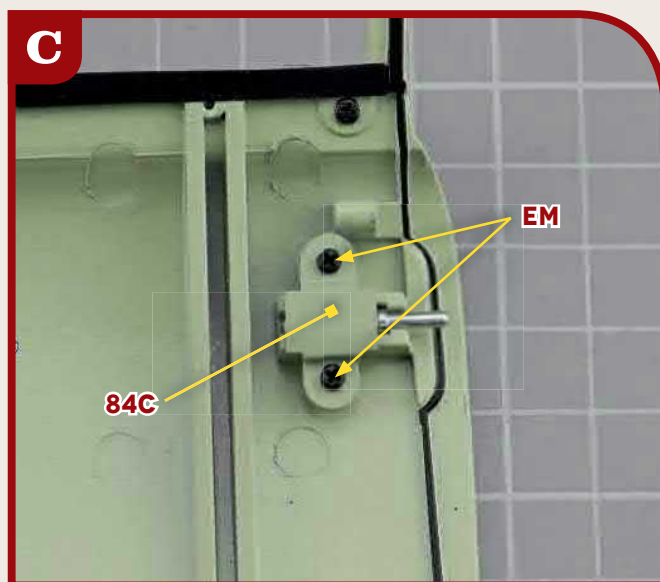
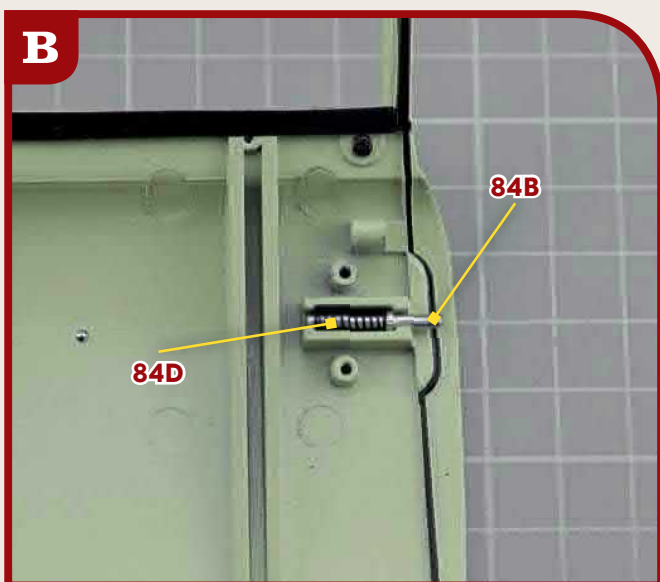
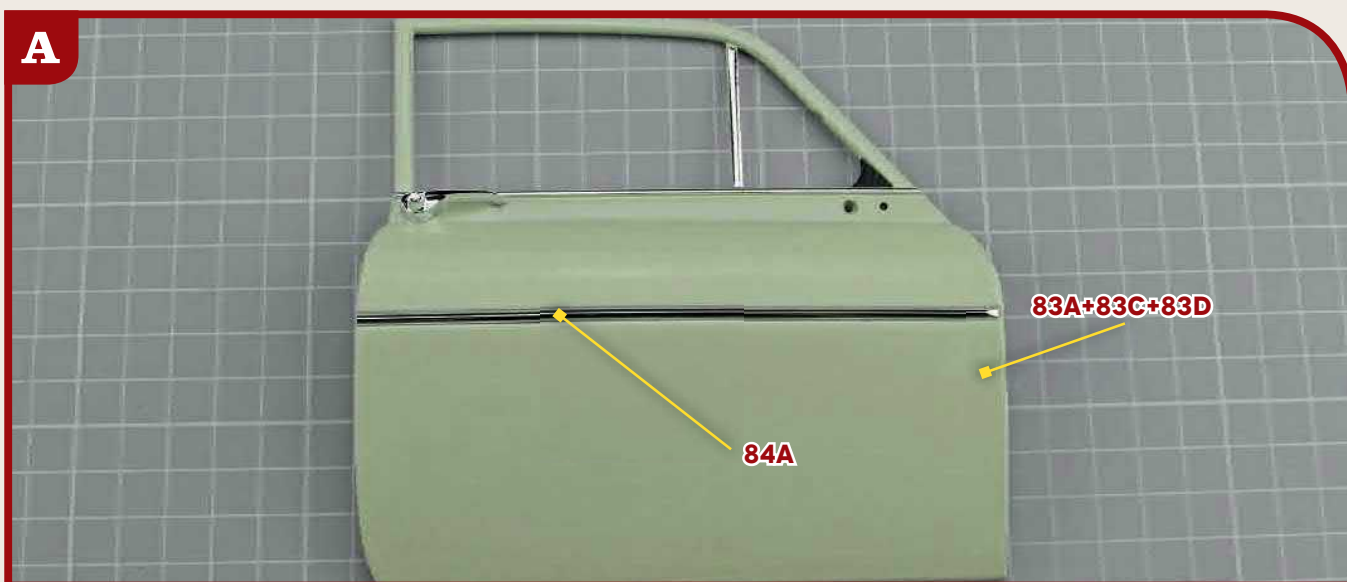
**83D** Sticker 2  
**CP** 1 screw (1.7x4 mm)



## 84 PARTS LIST



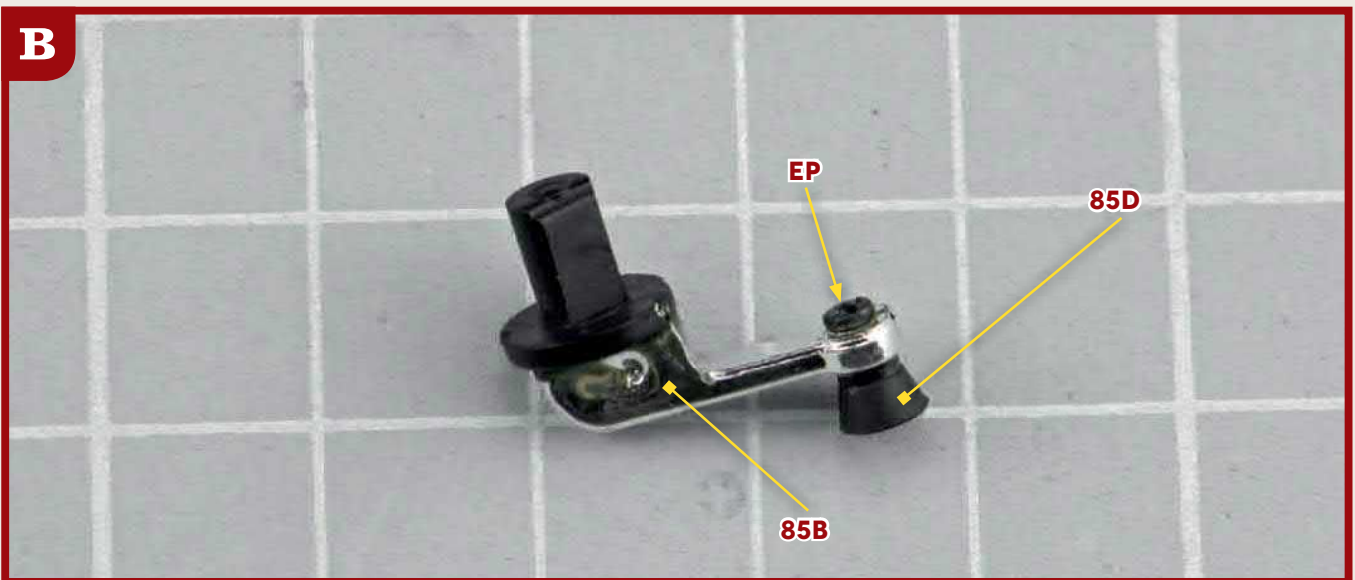
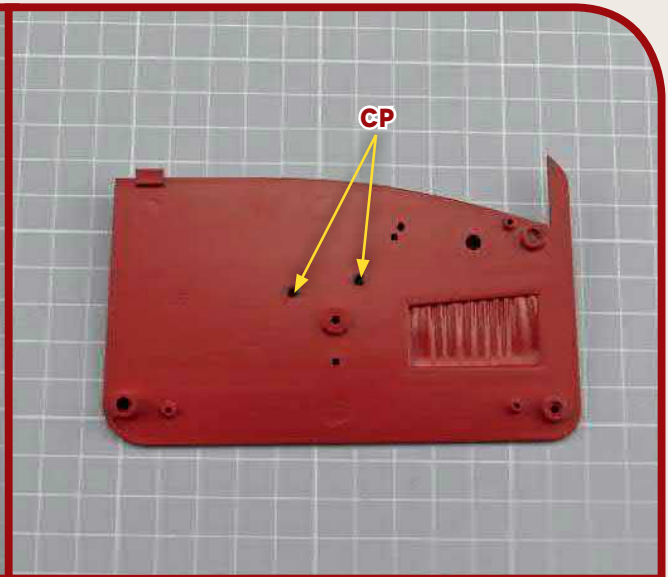
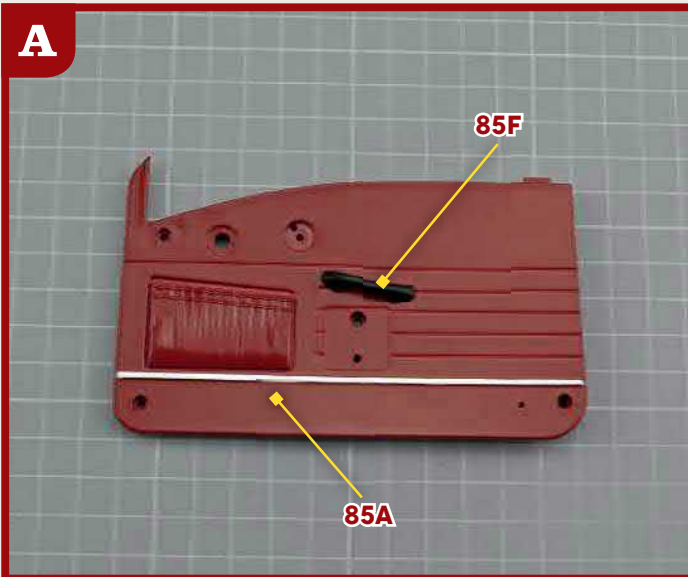
- 84A** Door trim
- 84B** Rod
- 84C** Bracket
- 84D** Spring
- 84E** Hinge 1
- 84F** Hinge 2
- EM** 2 screws (1.7x4 mm)



85 PARTS LIST



- 85A Right door inner panel
- 85B Crank
- 85C Knob
- 85D Gear
- 85E Handle
- CP 2 screws (1.7x4 mm)
- EP 1 screw (1.5x4 mm)

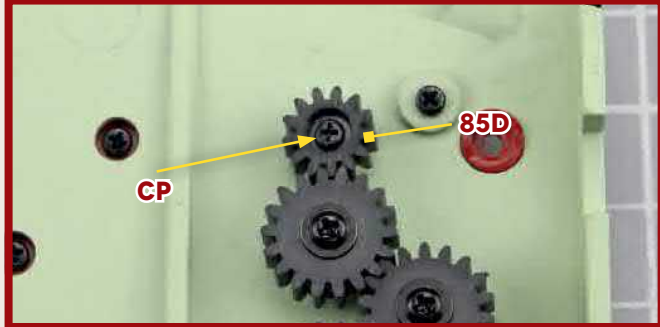
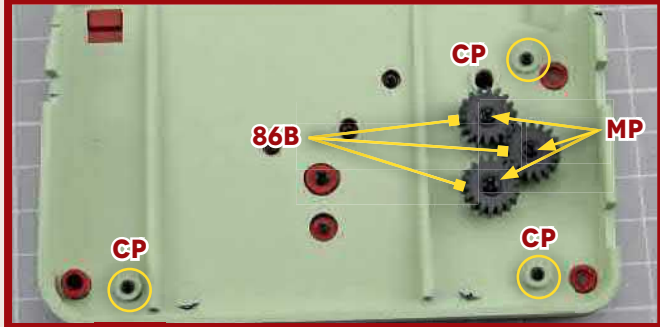
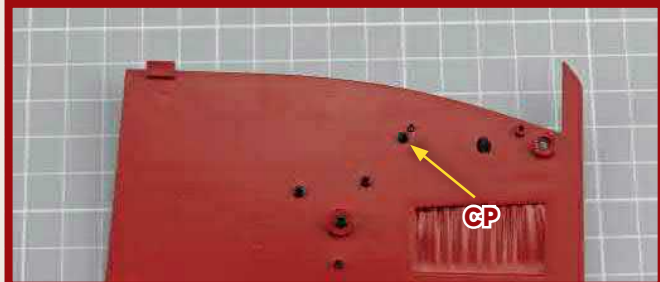
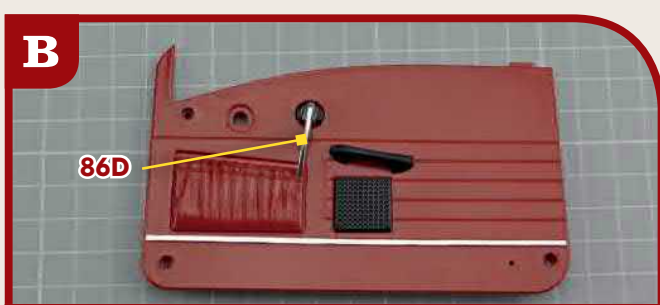
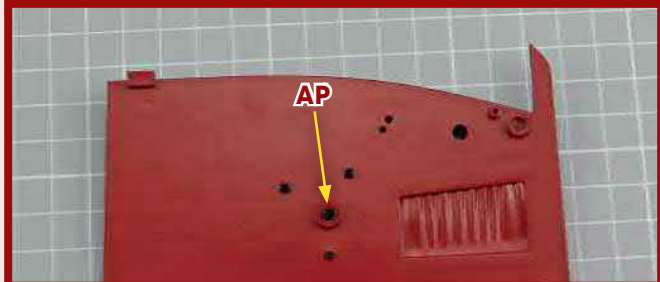
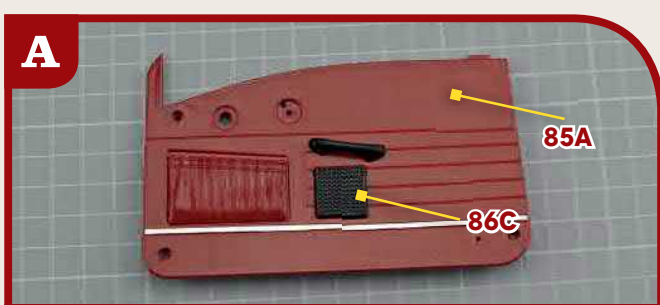


## 86 PARTS LIST



- 86A** Right door inner frame
- 86B** Gears
- 86C** Speaker cover
- 86D** Handle
- 86E** Sticker 1
- 86F** Sticker 2

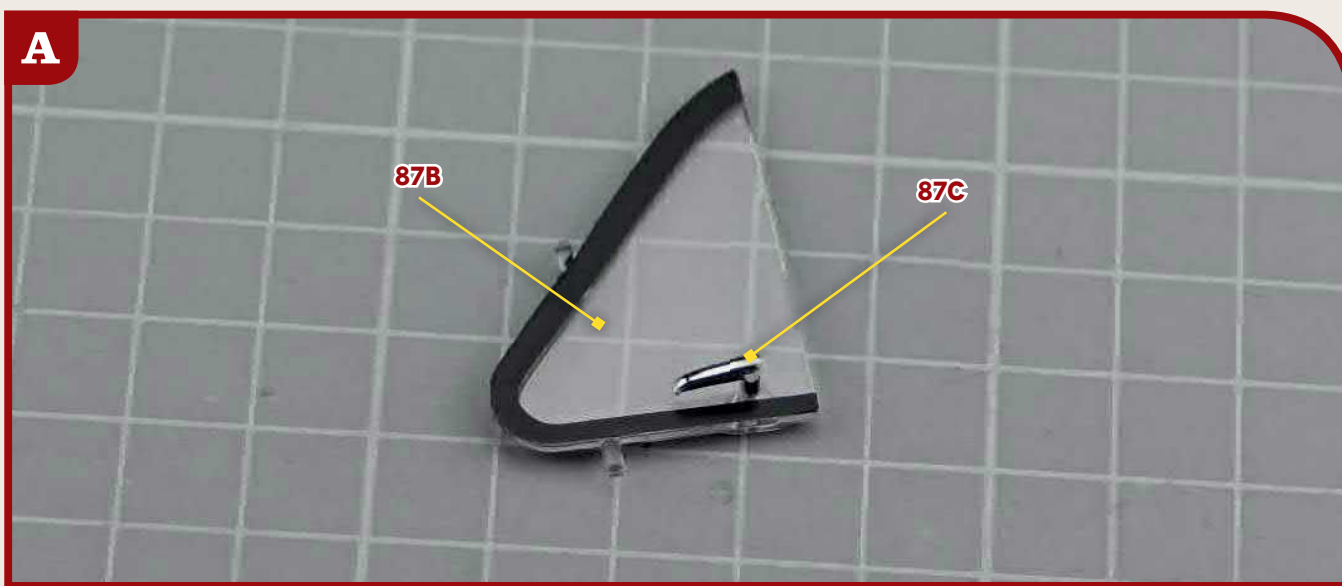
- AP** 1 screw (2x4 mm)
- CP** 5 screws (1.7x4 mm)
- MP** 3 screws (2x4 mm)



**87 PARTS LIST**



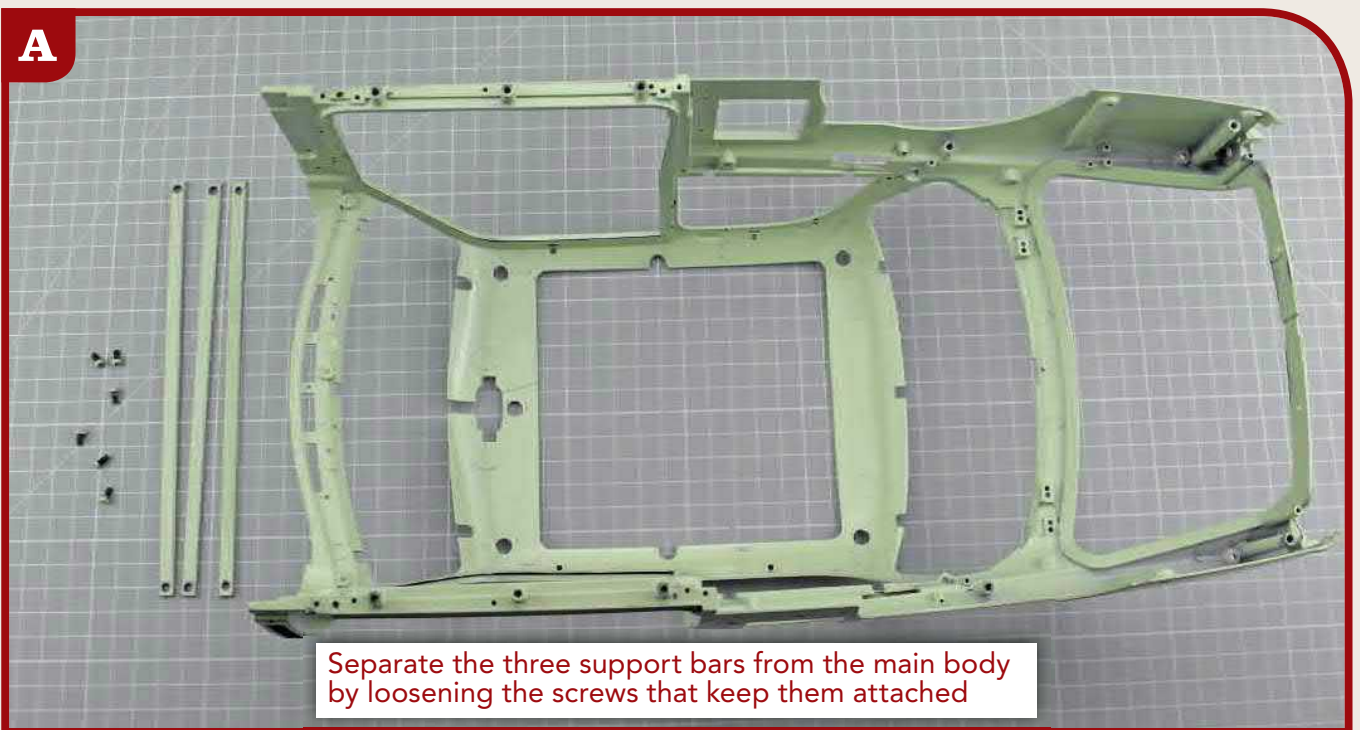
- 87A** Right door window
- 87B** Quarter glass
- 87C** Handle



**88 PARTS LIST**

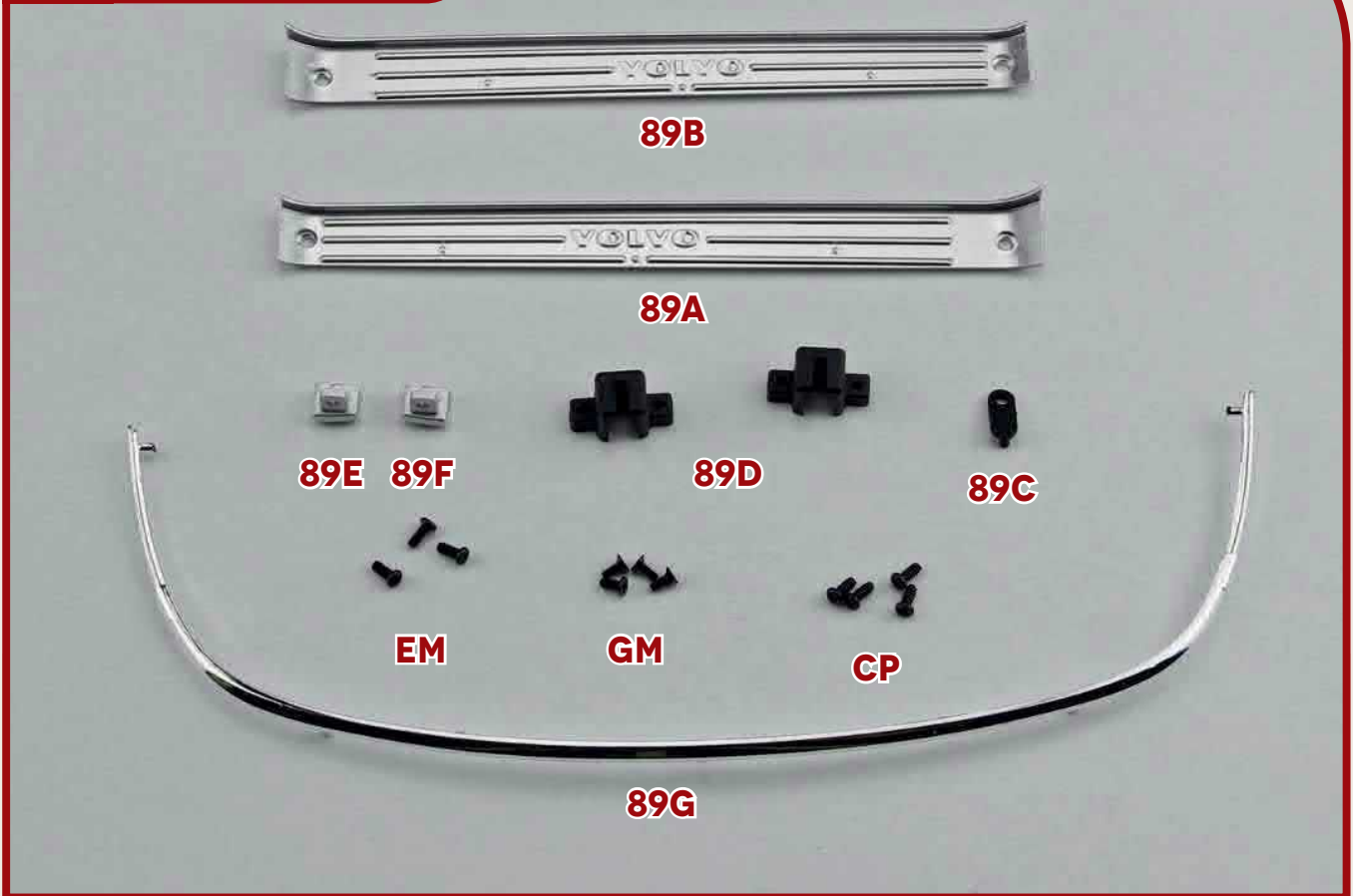


**88A** Main body

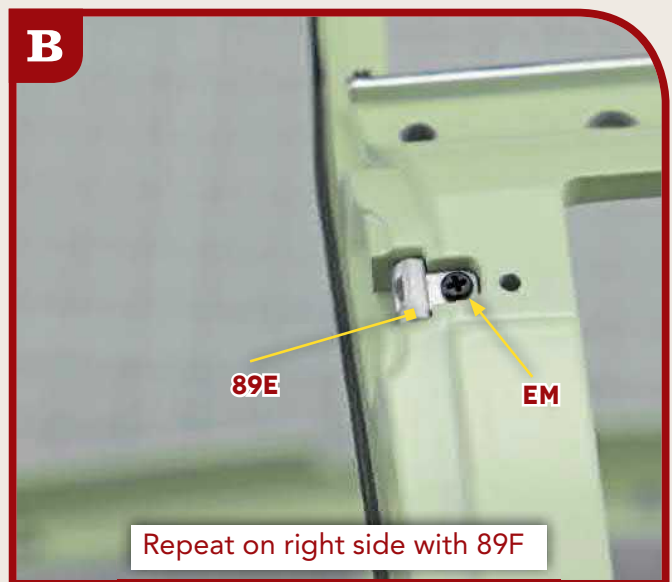
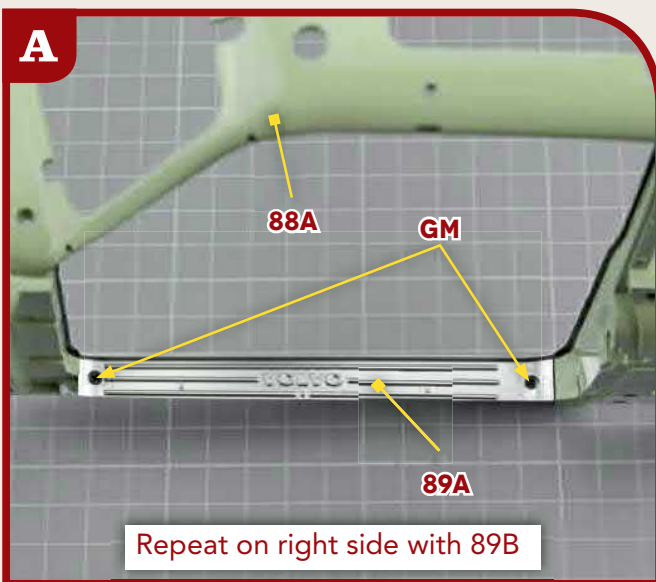




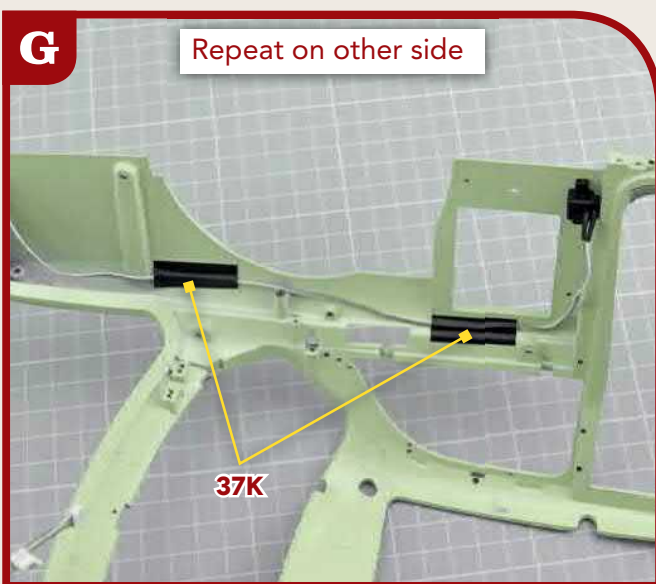
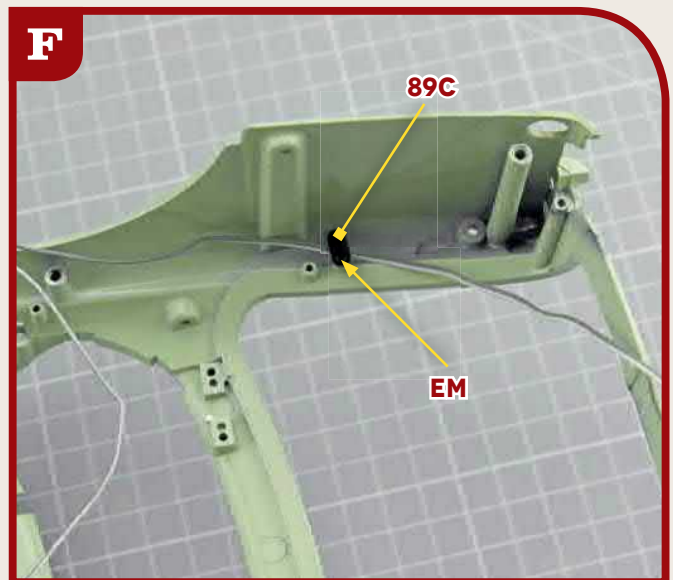
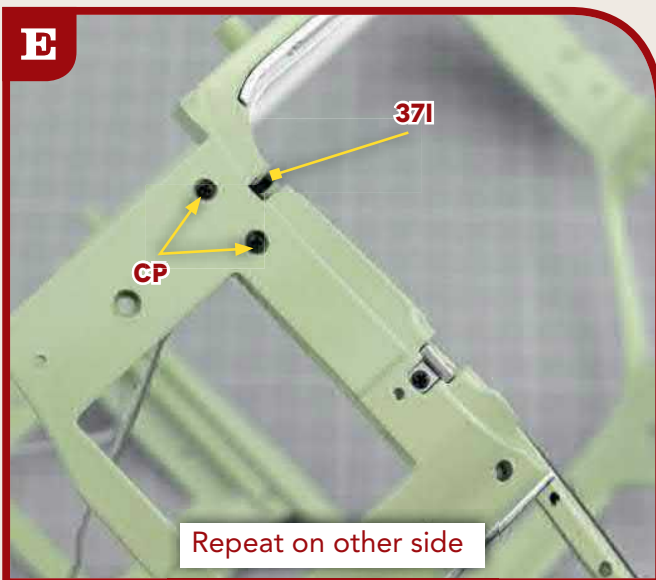
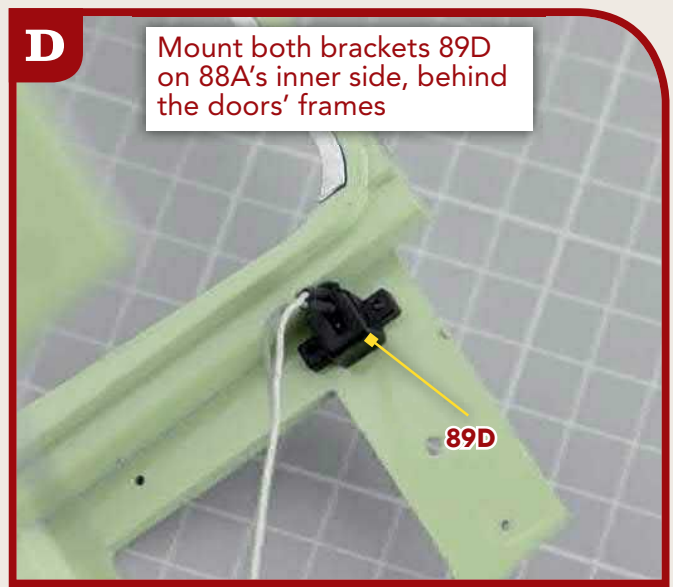
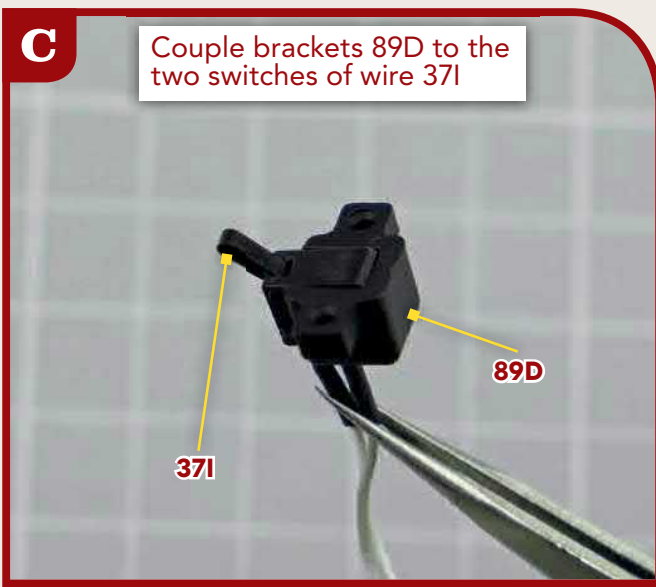
**89 PARTS LIST**



- |                              |                             |                               |
|------------------------------|-----------------------------|-------------------------------|
| <b>89A</b> Scuff plate 1 (L) | <b>89E</b> Door lock 1 (L)  | <b>EM</b> 3 screws (1.7x4 mm) |
| <b>89B</b> Scuff plate 2 (R) | <b>89F</b> Door lock 2 (R)  | <b>GM</b> 4 screws (1.6x4 mm) |
| <b>89C</b> Fairlead          | <b>89G</b> Rear window trim | <b>CP</b> 4 screws (1.7x4 mm) |
| <b>89D</b> Brackets          |                             |                               |



# STEP BY STEP 89



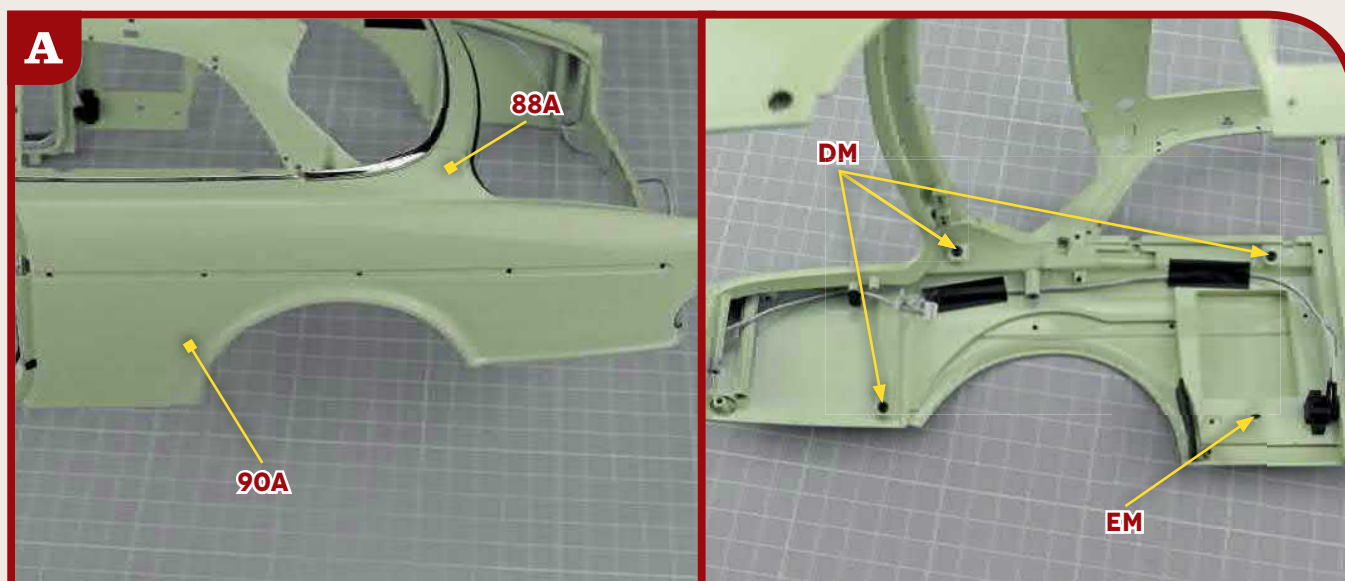
## 90 PARTS LIST



**90A** Rear mudguard (L)

**DM** 3 screws (2.3x4 mm)

**EM** 1 screw (1.7x4 mm)



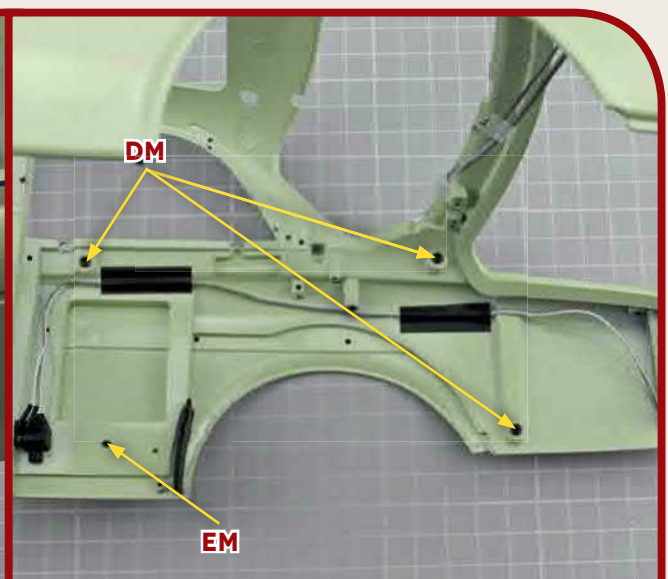
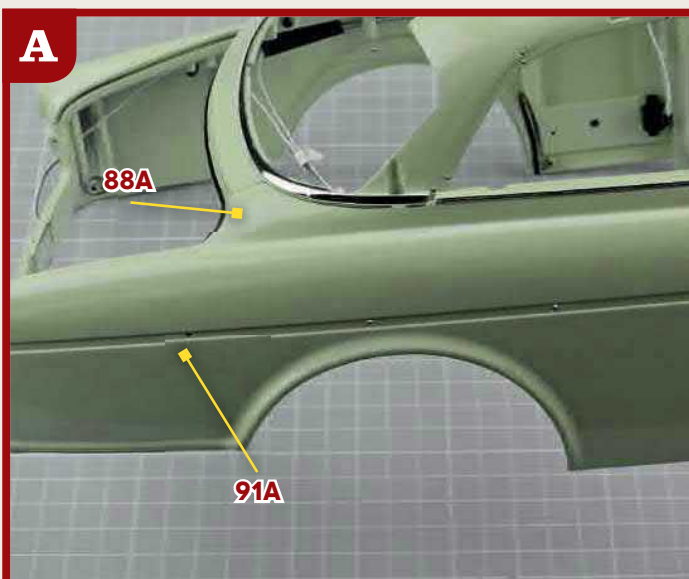
**91 PARTS LIST**



**91A** Rear mudguard (R)

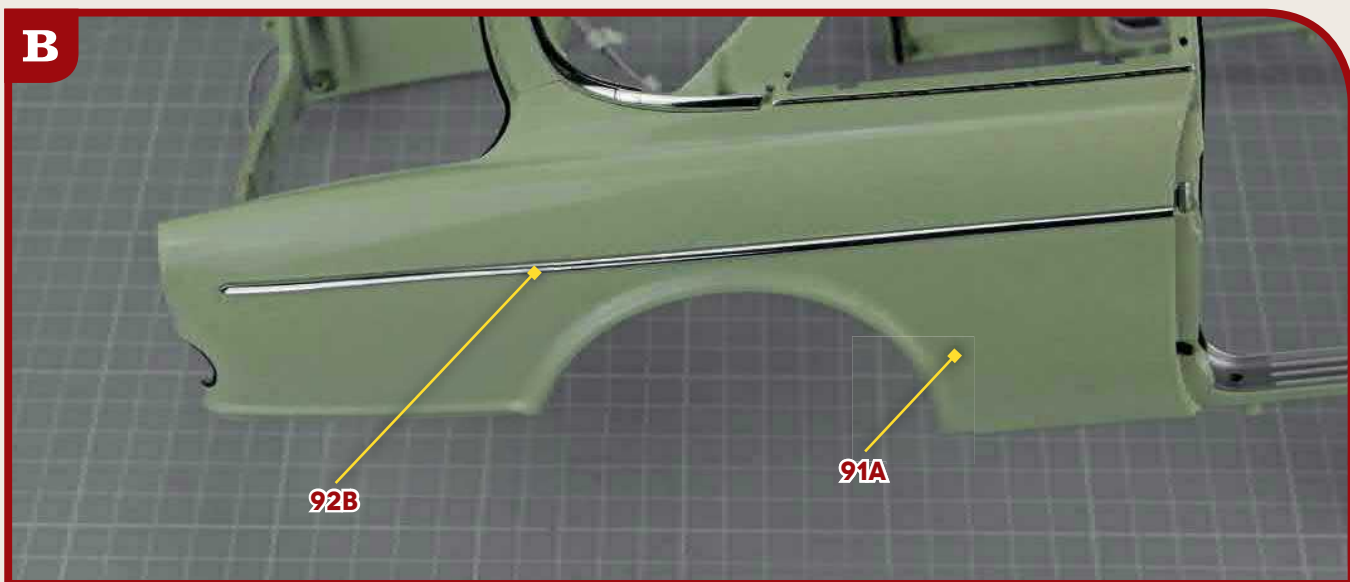
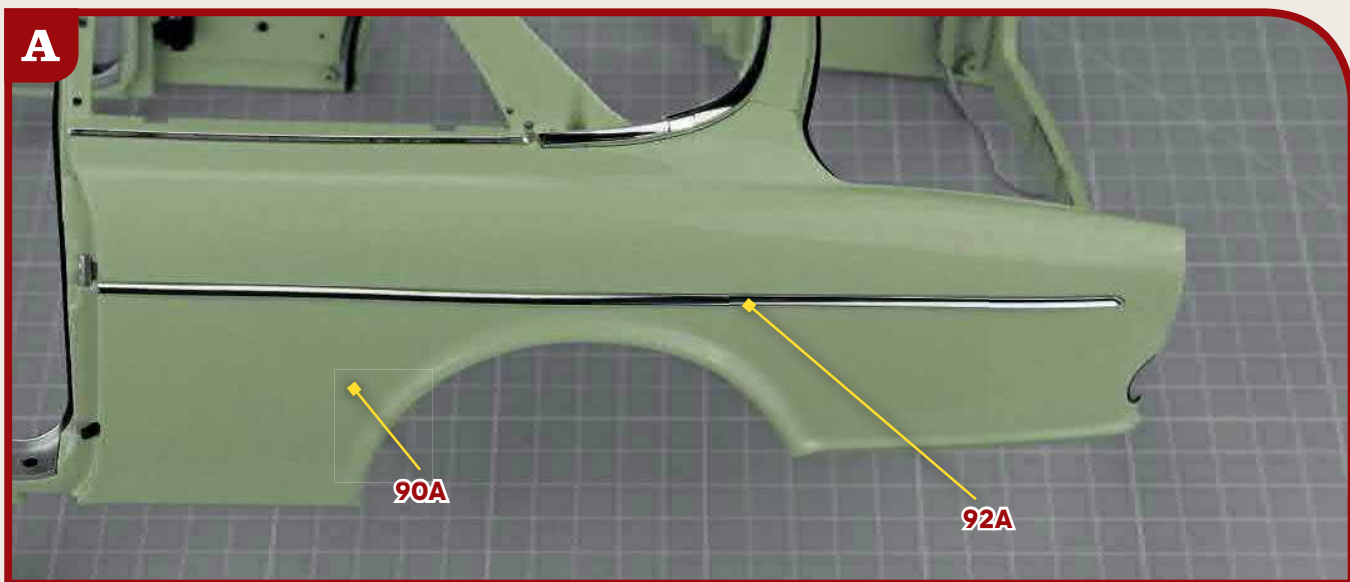
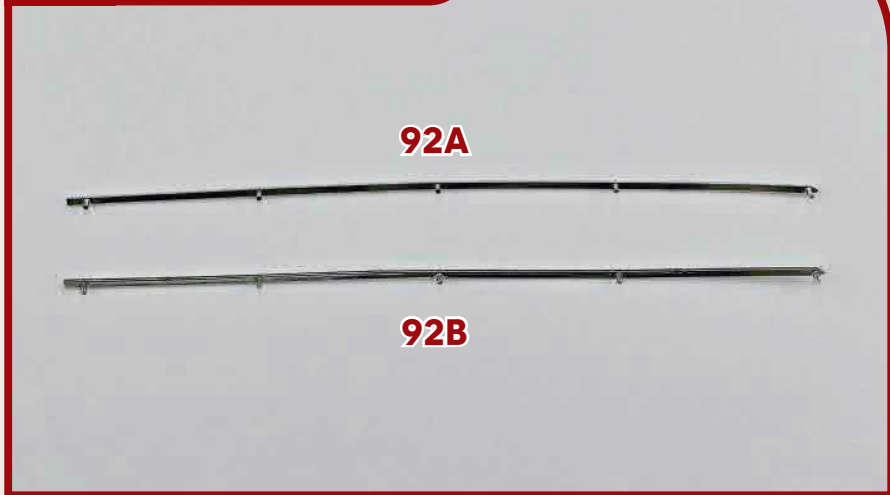
**DM** 3 screws (2.3x4 mm)

**EM** 1 screw (1.7x4 mm)



**92 PARTS LIST**

- 92A** Rear mudguard trim 1 (L)
- 92B** Rear mudguard trim 2 (R)



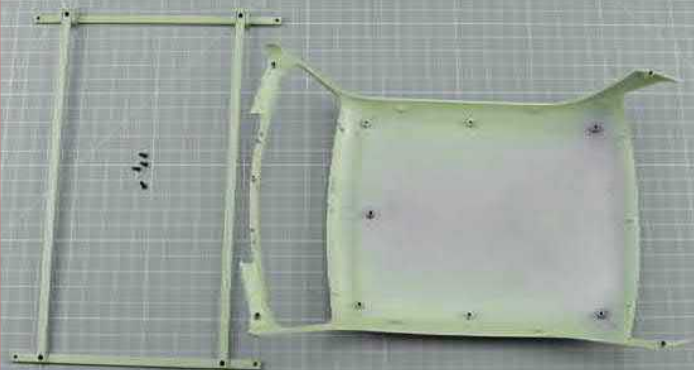
**93 PARTS LIST**



**93A**

**93A** Outer roof

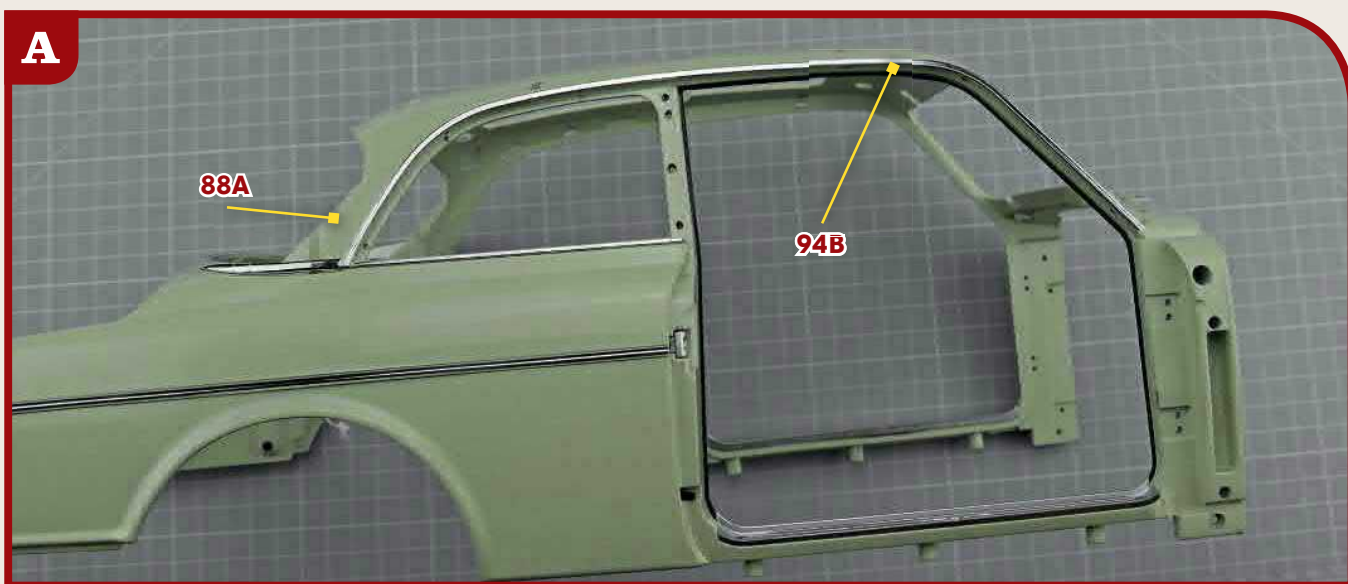
**A**



Separate the support bars from the outer roof by loosening the screws that keep them attached

94 PARTS LIST

- 94A Body trim 1 (L)
- 94B Body trim 2 (R)



**95 PARTS LIST**



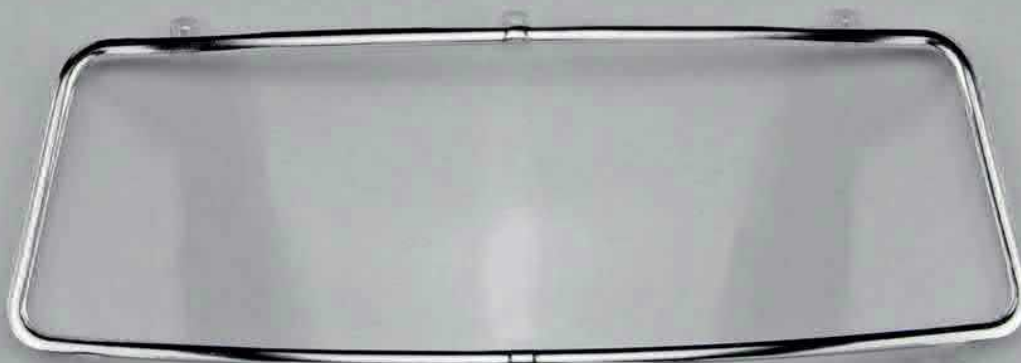
**95A**

**95A** Rear window





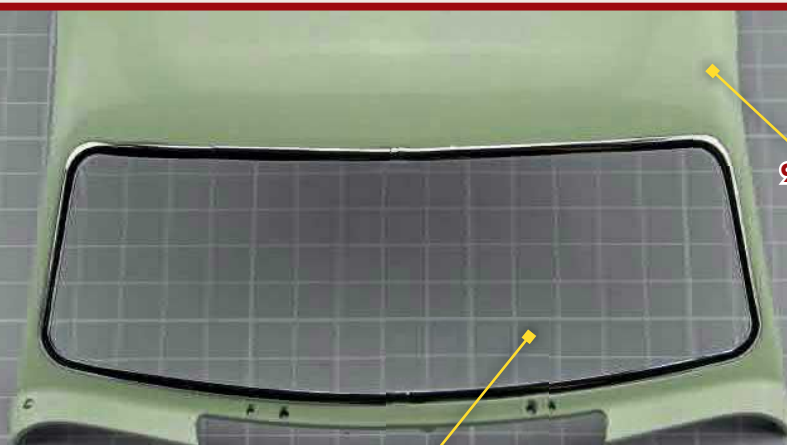
96 PARTS LIST



96A

96A Windscreen

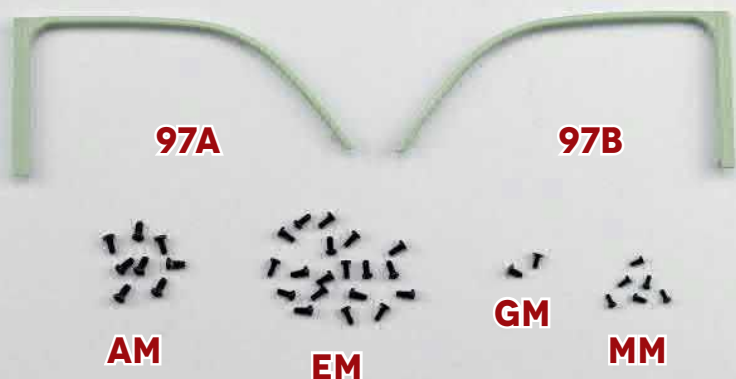
A



93A

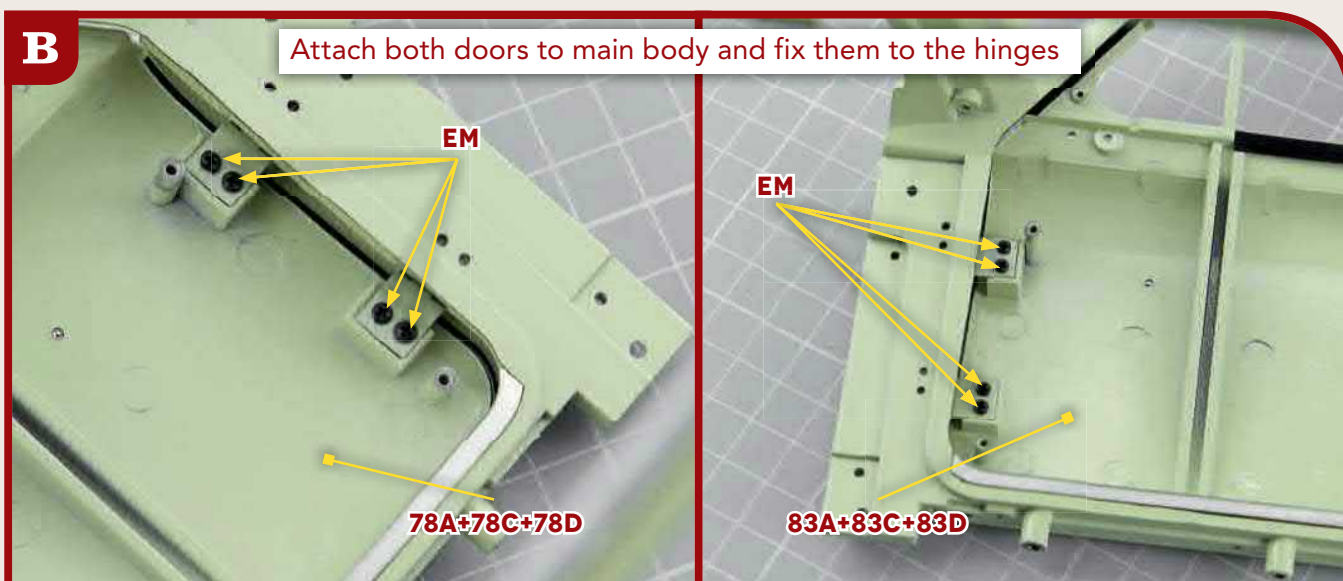
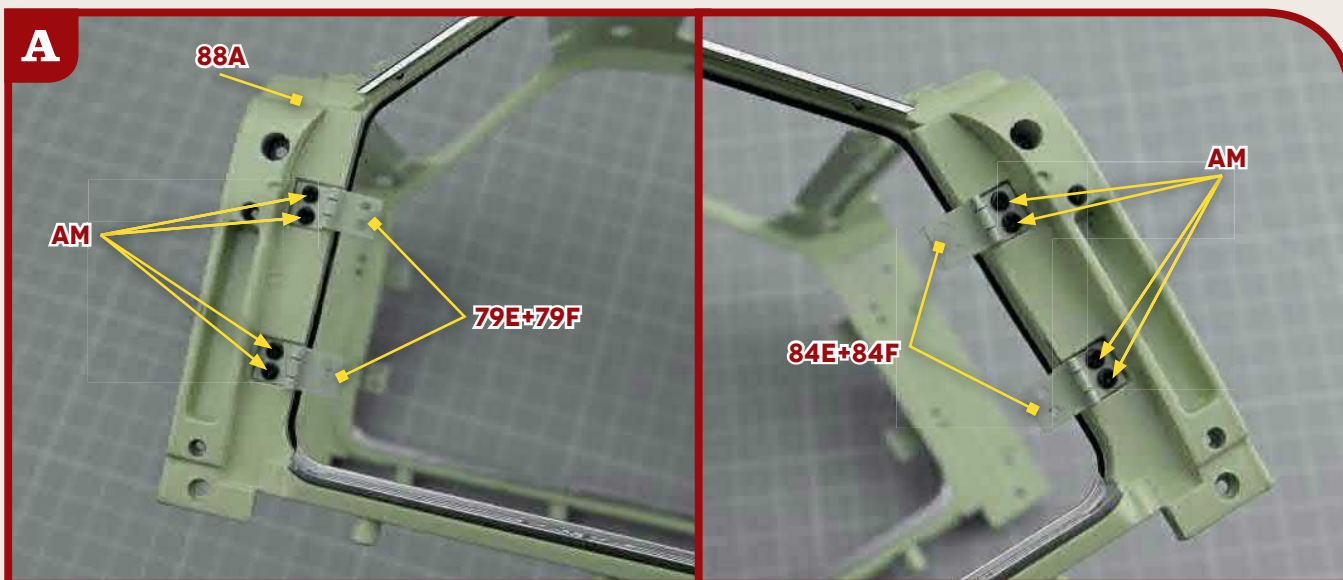
96A

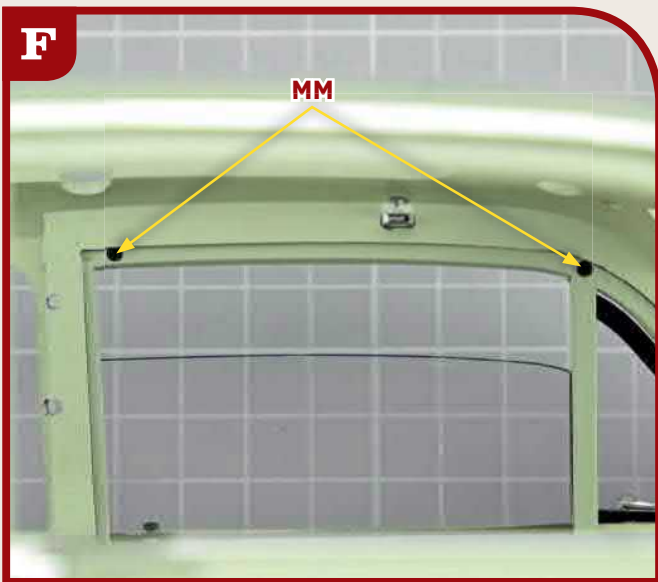
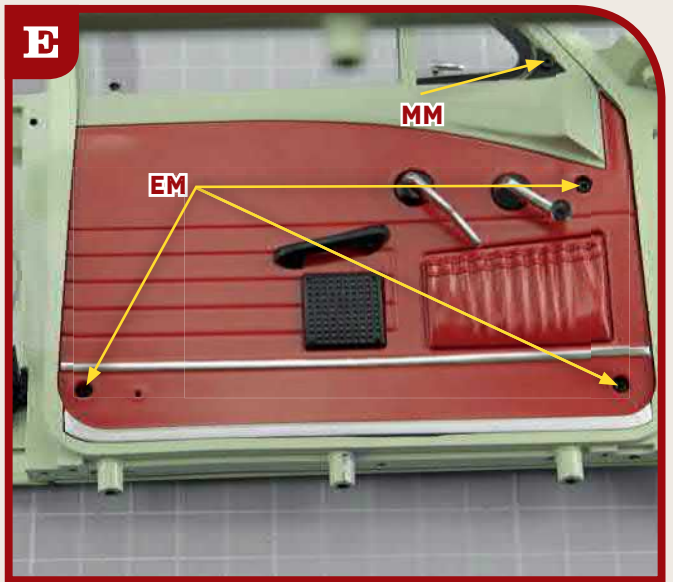
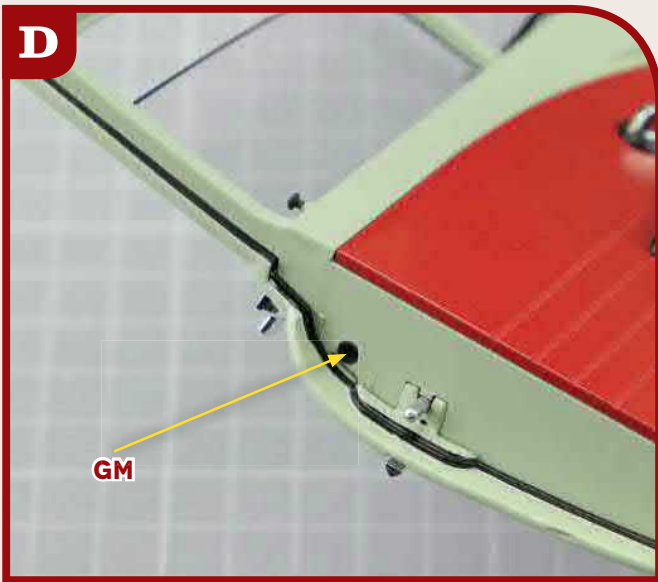
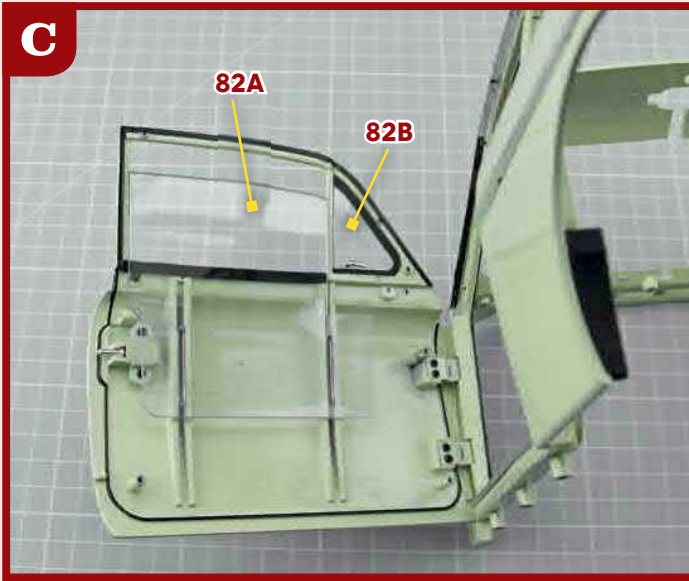
## 97 PARTS LIST

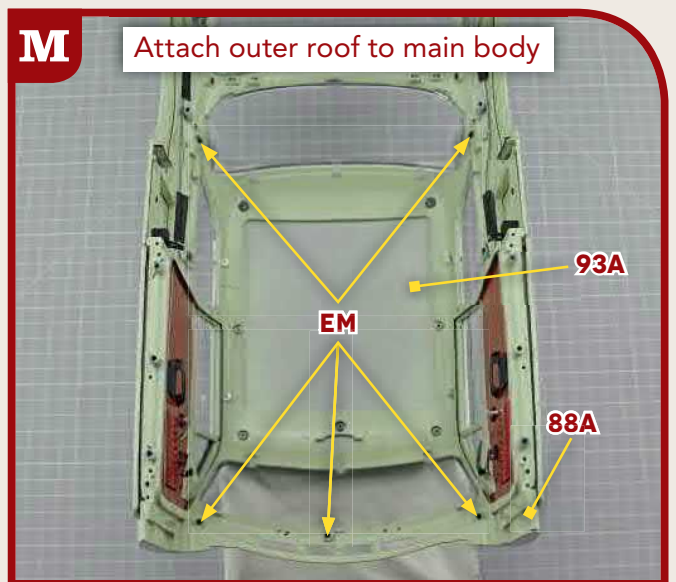
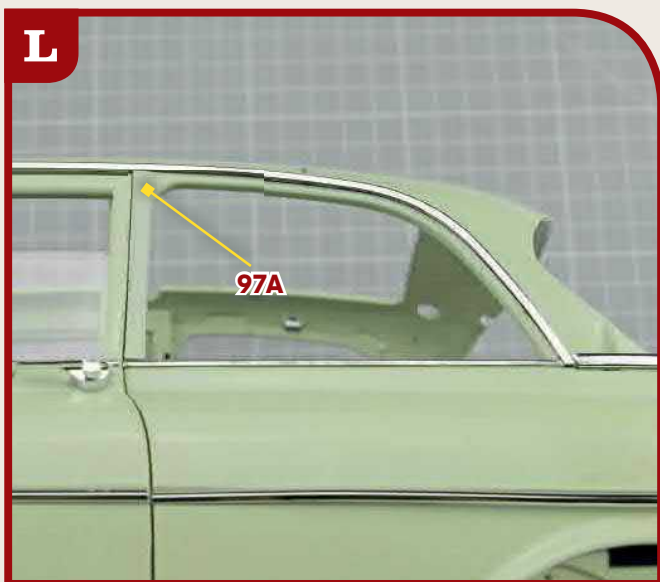
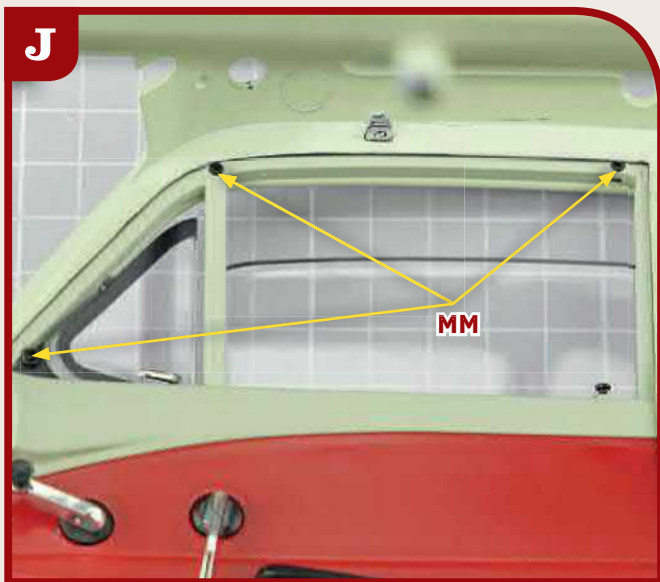
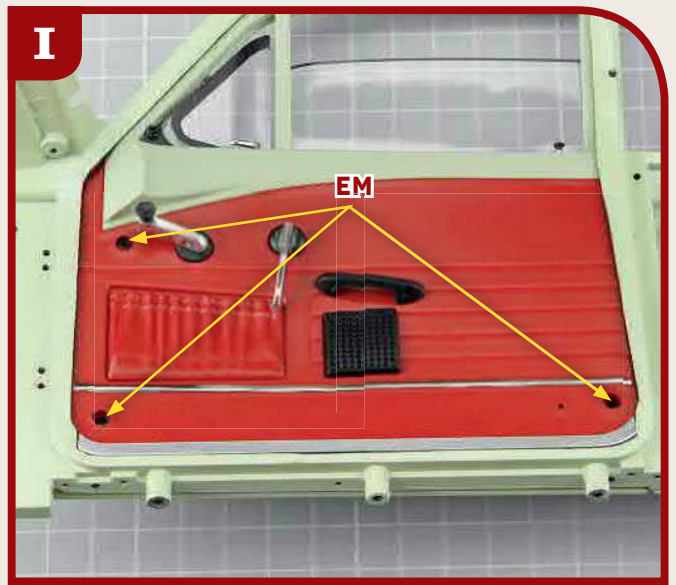
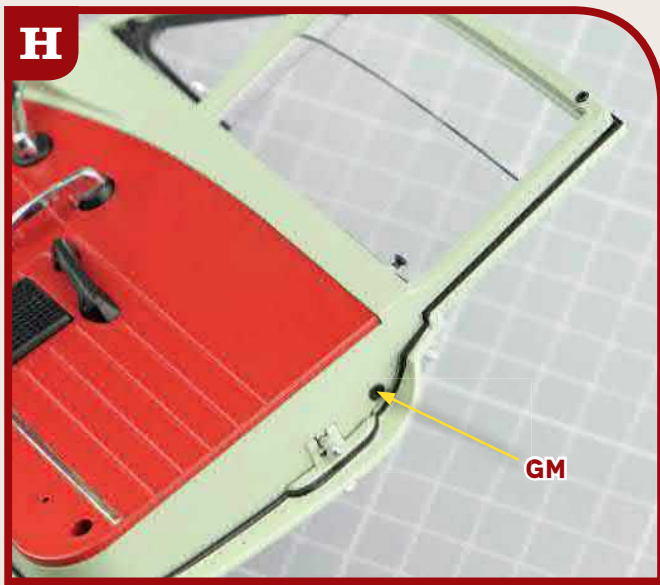


**97A** Rear window frame 1 (L)  
**97B** Rear window frame 2 (R)

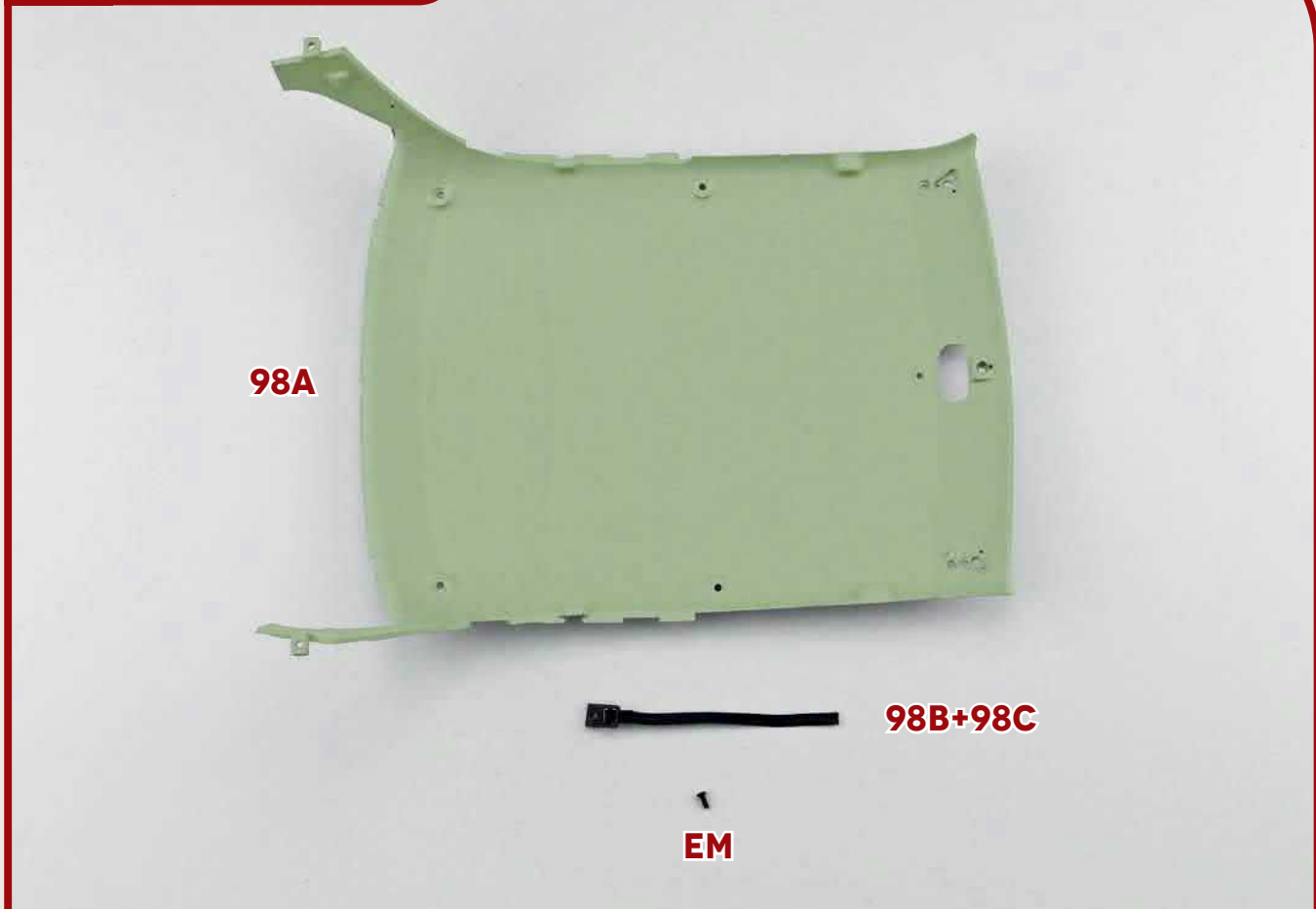
**AM** 8 screws (2x4 mm)  
**EM** 19 screws (1.7x4 mm)  
**GM** 2 screws (1.6x4 mm)  
**MM** 6 screws (1.2x3 mm)





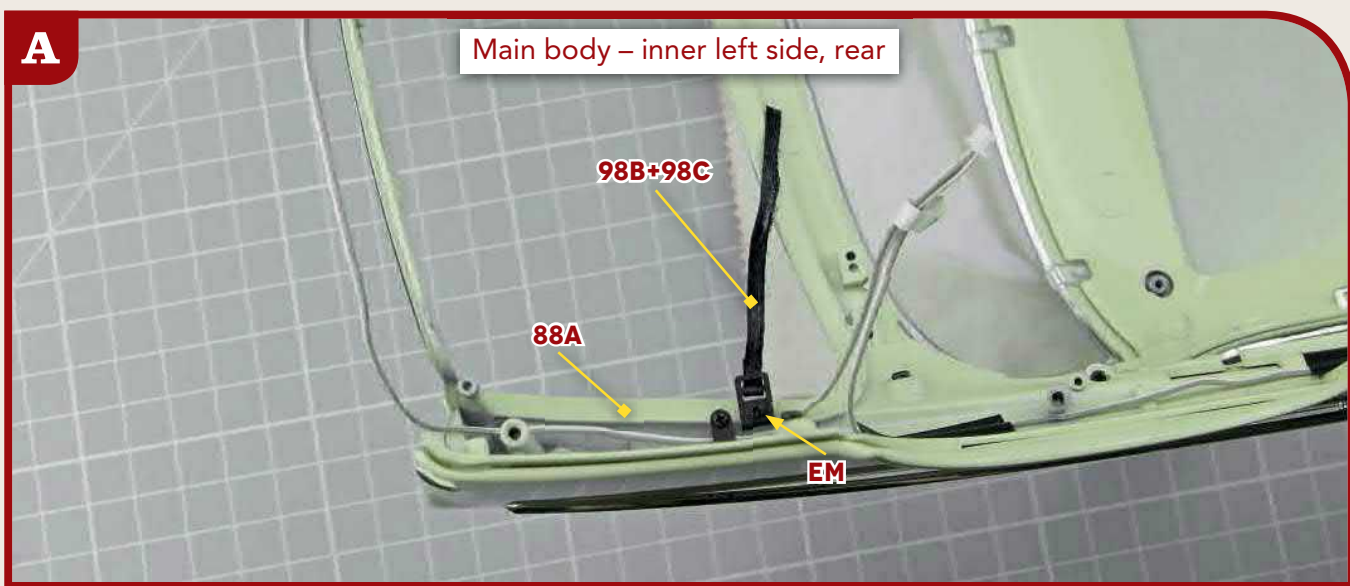


**98 PARTS LIST**



- 98A** Inner roof
- 98B** Buckle
- 98C** Belt

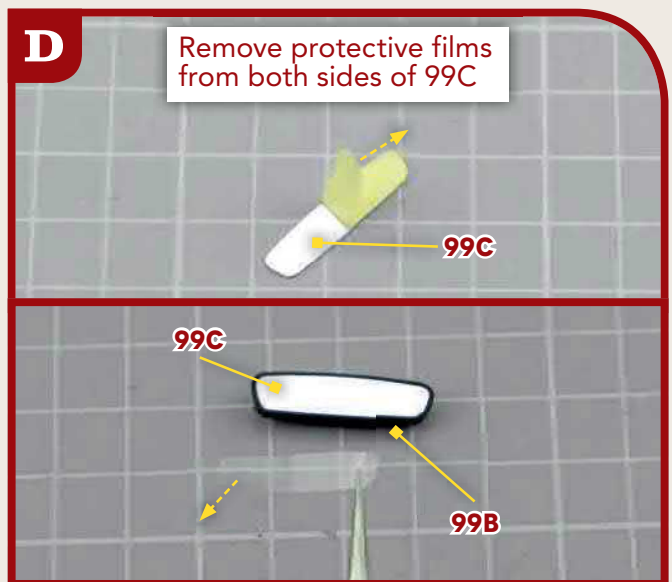
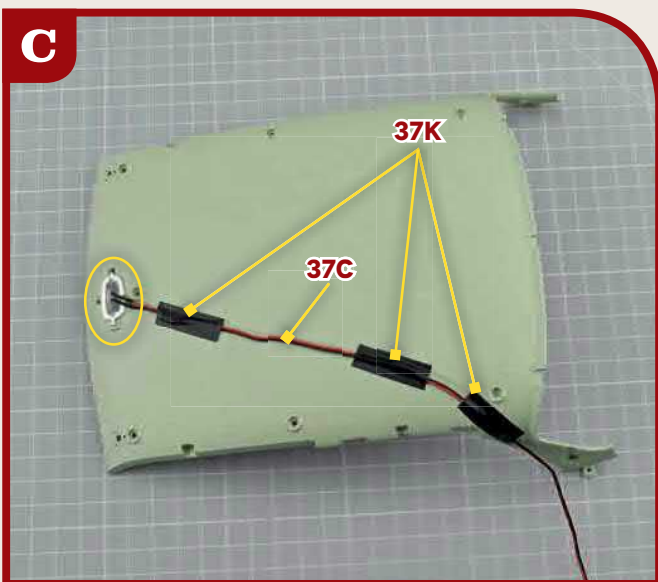
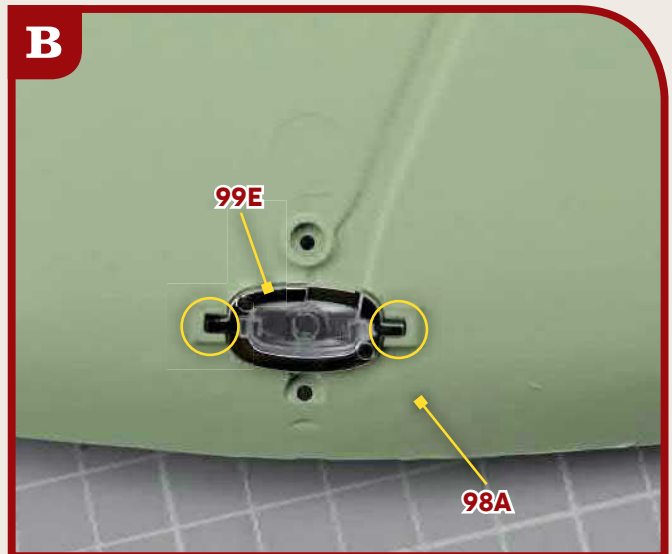
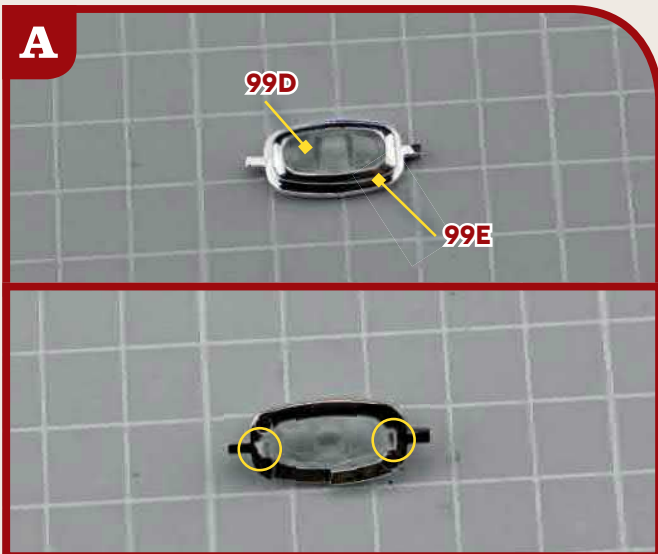
**EM** 1 screw (1.7x4 mm)

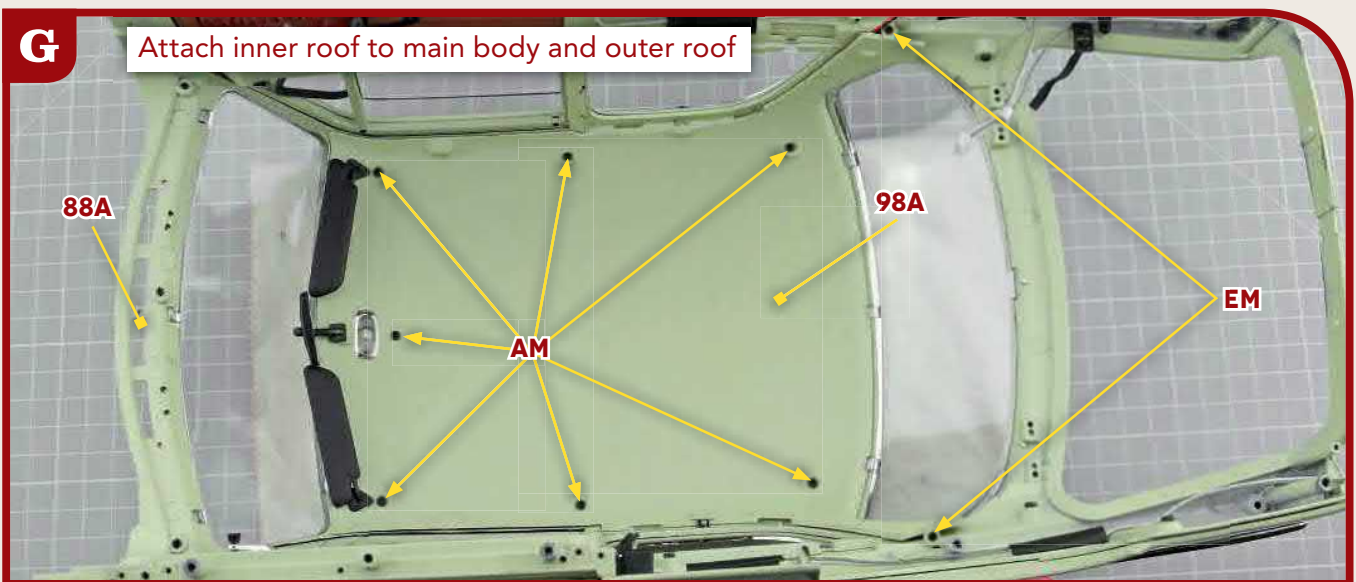
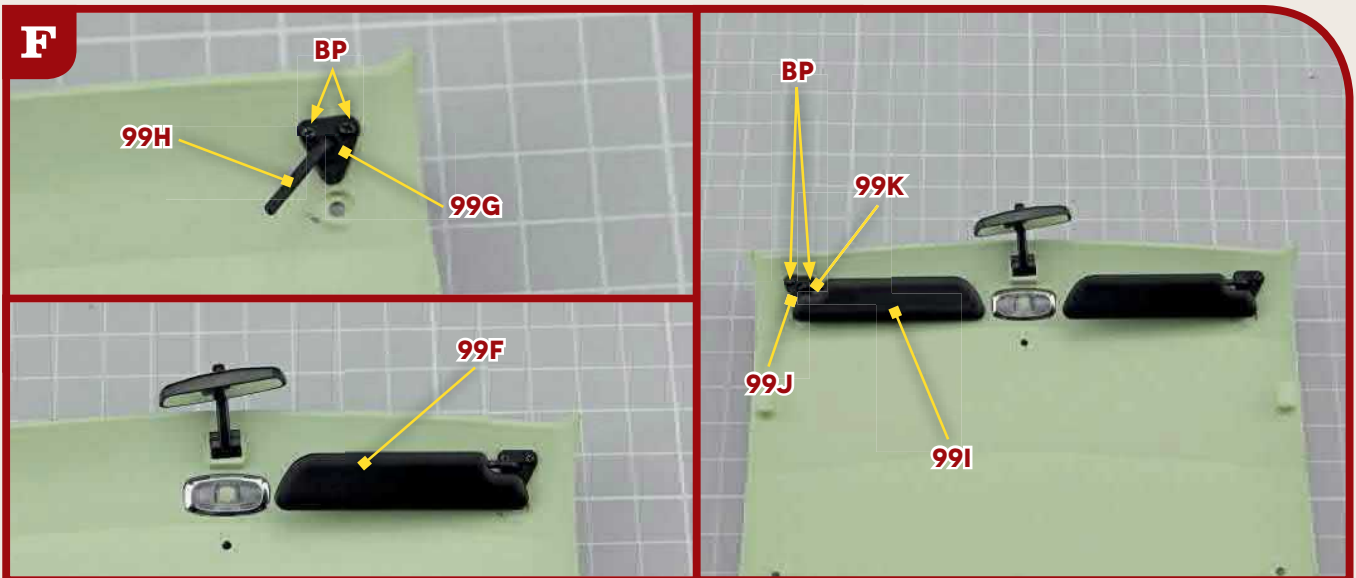
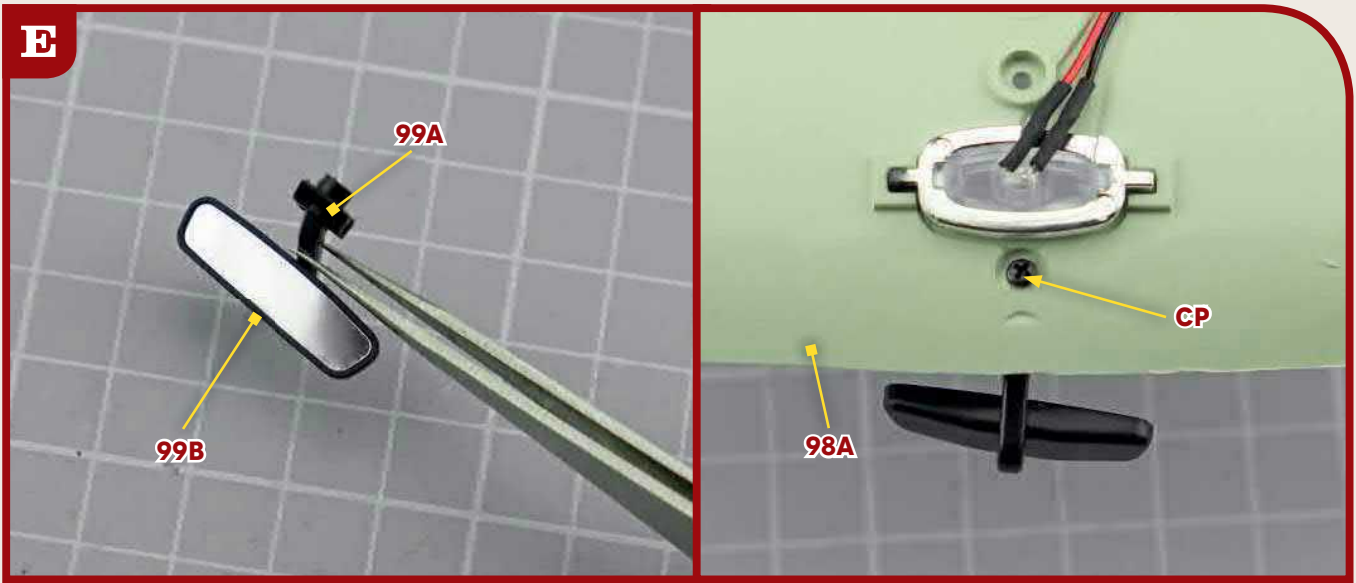


**99 PARTS LIST**

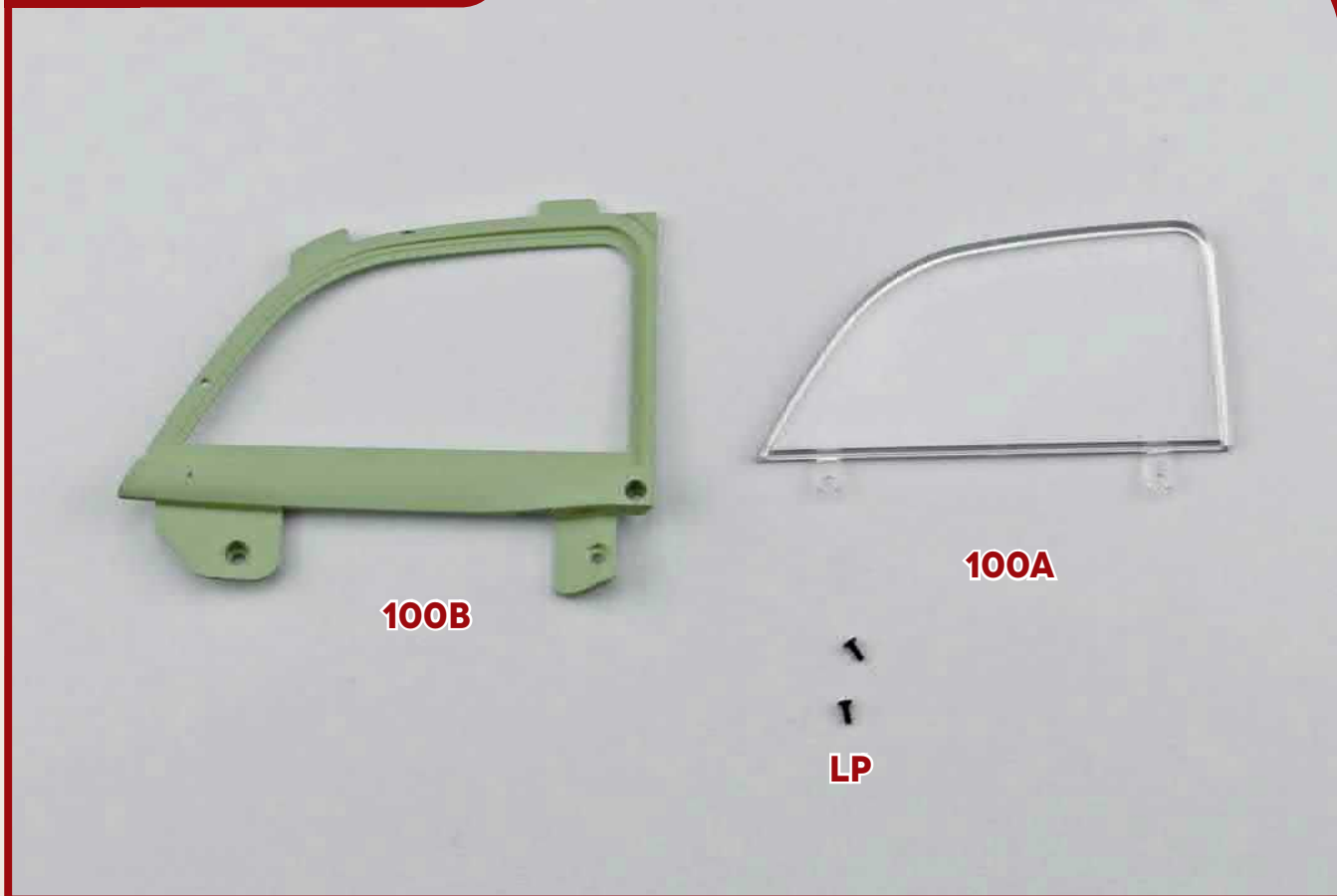


- 99A** Rear-view mirror bracket
- 99B** Rear-view mirror mount
- 99C** Mirror
- 99D** Courtesy light glass
- 99E** Courtesy light mount
- 99F** Sun visor 1 (L)
- 99G** Sun visor mount 1 (L)
- 99H** Sun visor bracket 1 (L)
- 99I** Sun visor 2 (R)
- 99J** Sun visor mount 2 (R)
- 99K** Sun visor bracket 2 (R)
  
- AM** 7 screws (2x4 mm)
- EM** 2 screws (1.7x4 mm)
- BP** 4 screws (1.2x4 mm)
- CP** 1 screw (1.7x4 mm)



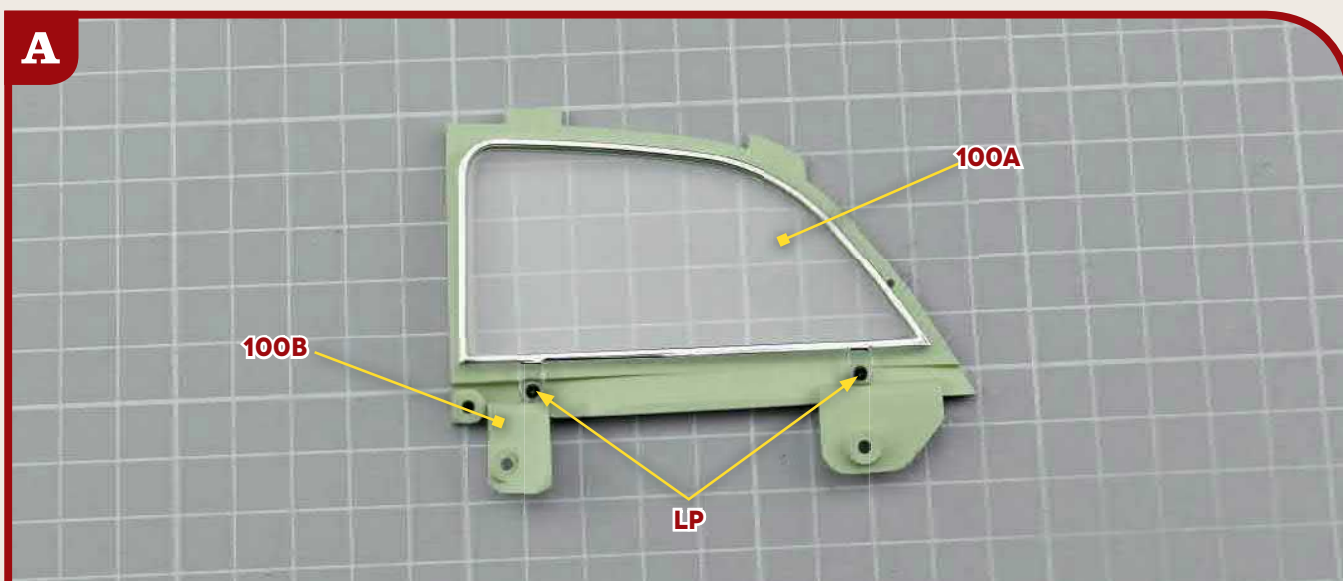


**100 PARTS LIST**



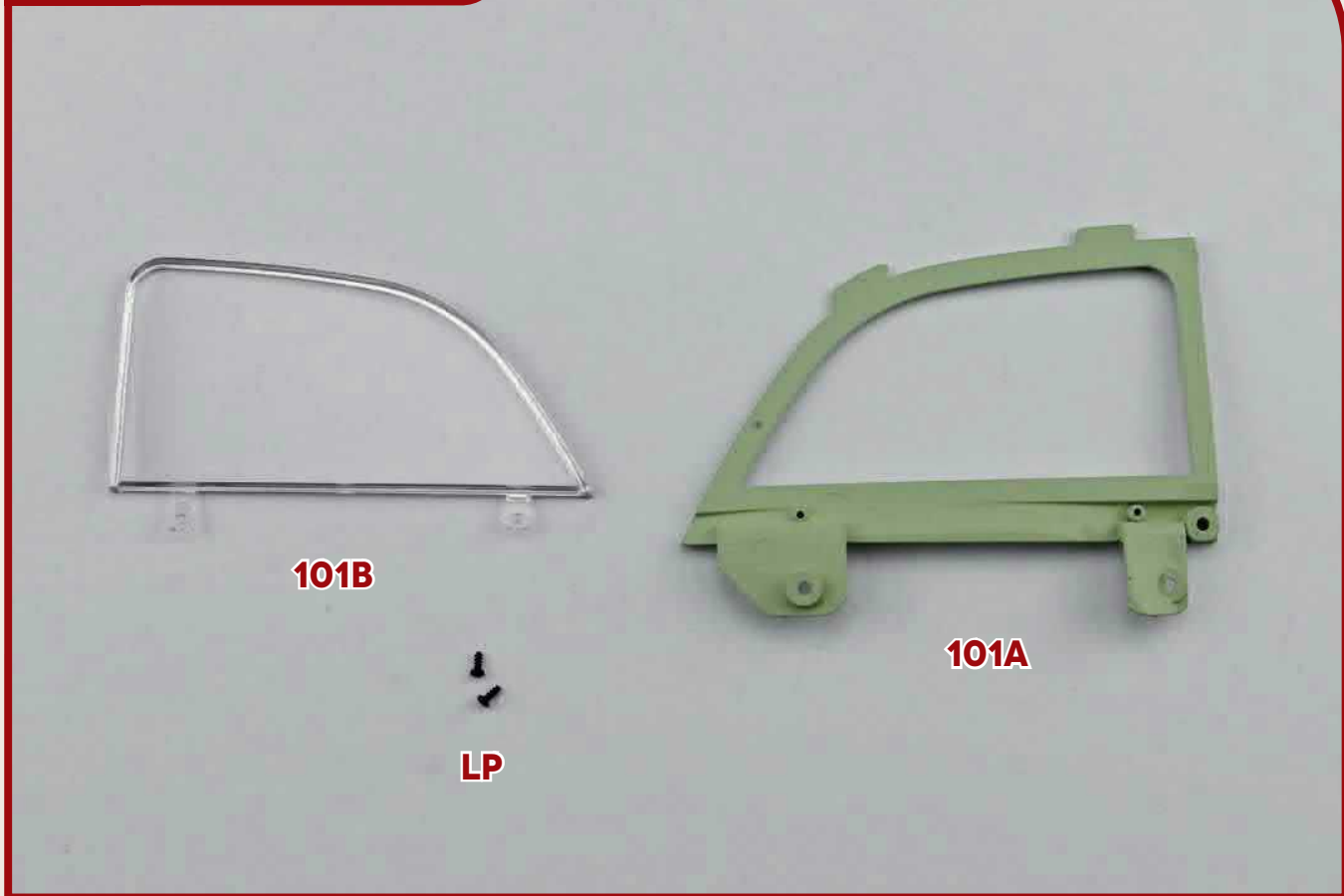
**100A** Rear side window (L)  
**100B** Rear side window frame (L)

**LP** 2 screws (1.5x3 mm)





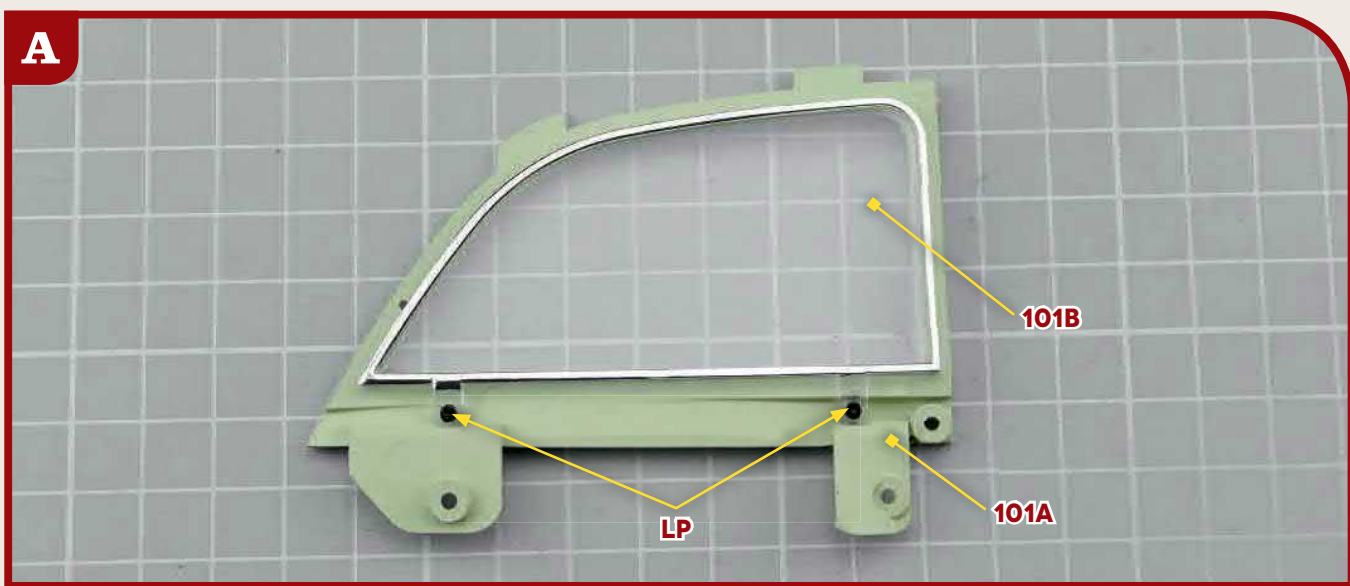
101 PARTS LIST



**101A** Rear side window frame (R)

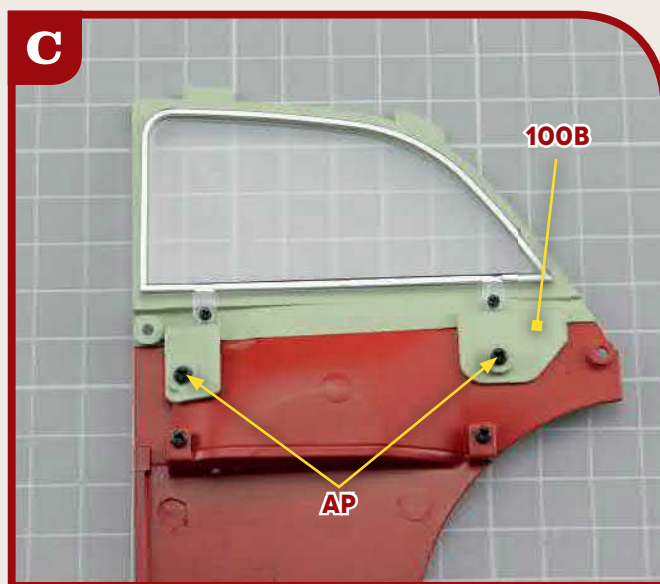
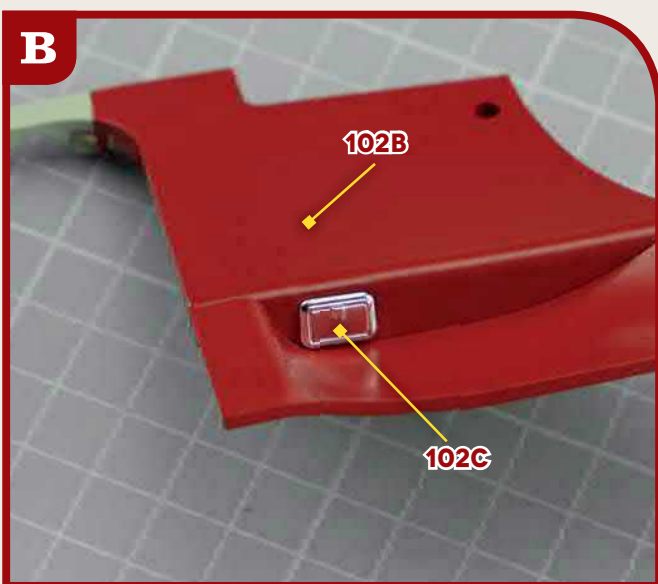
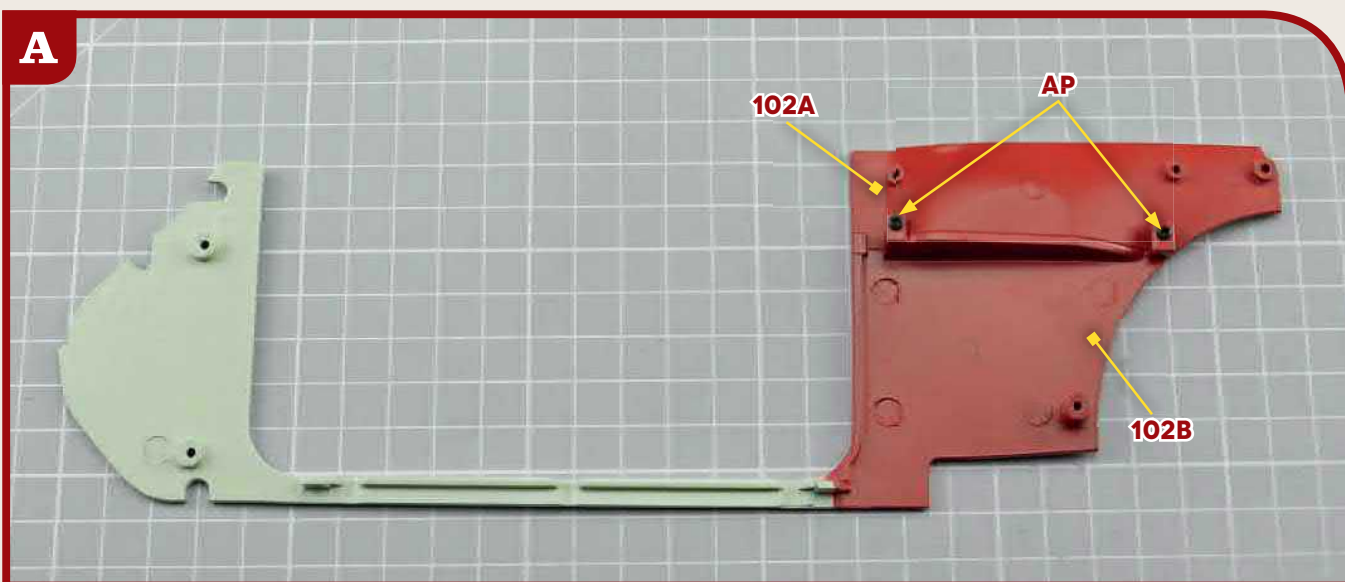
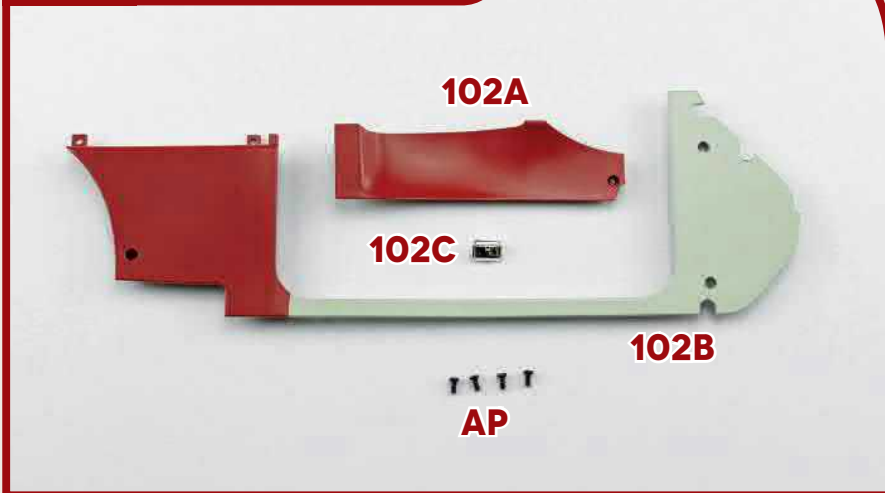
**LP** 2 screws (1.5x3 mm)

**101B** Rear side window (R)



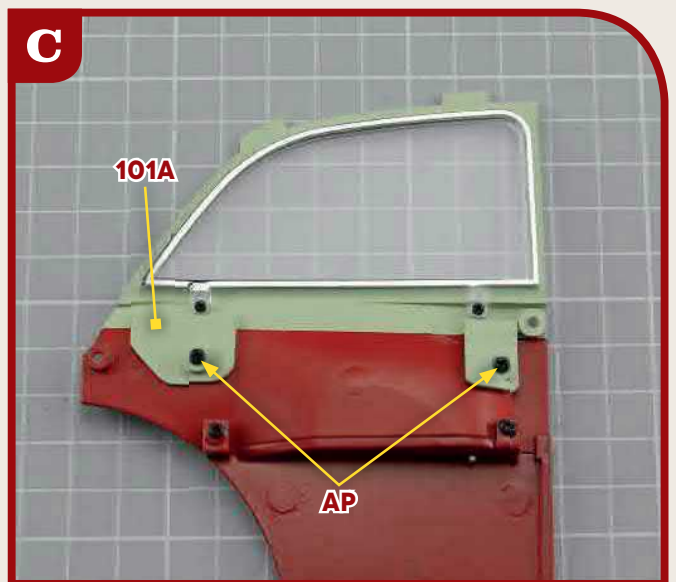
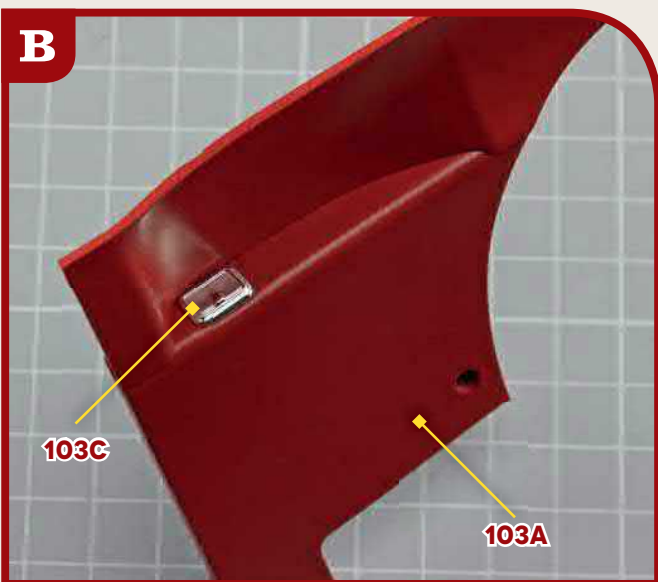
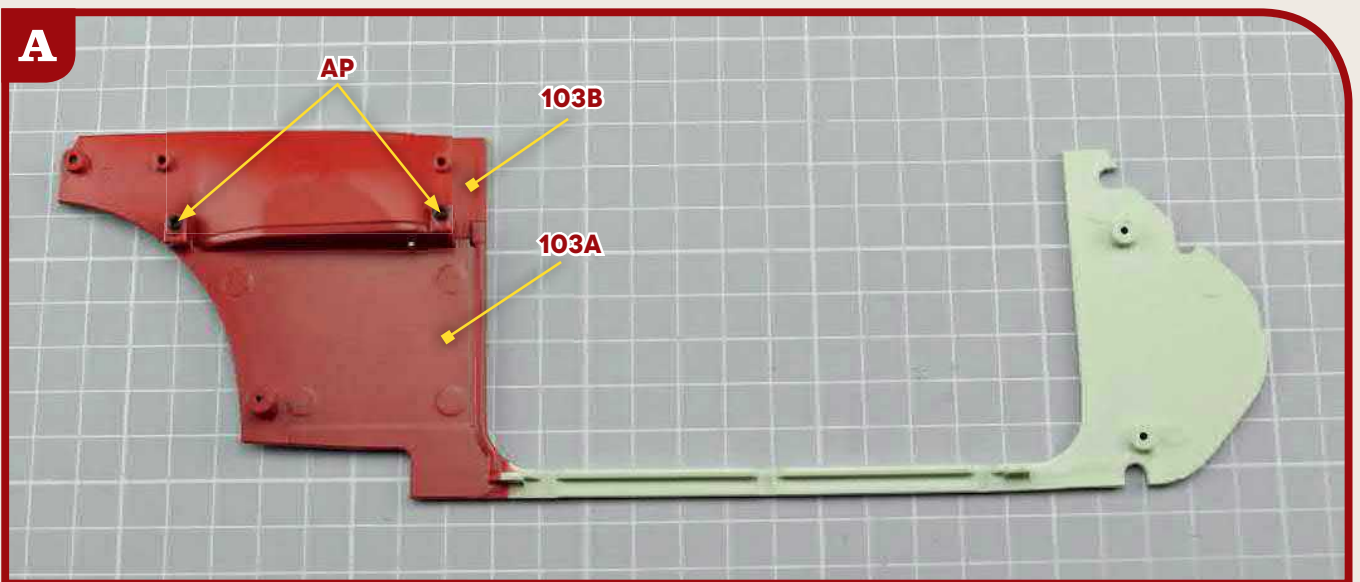
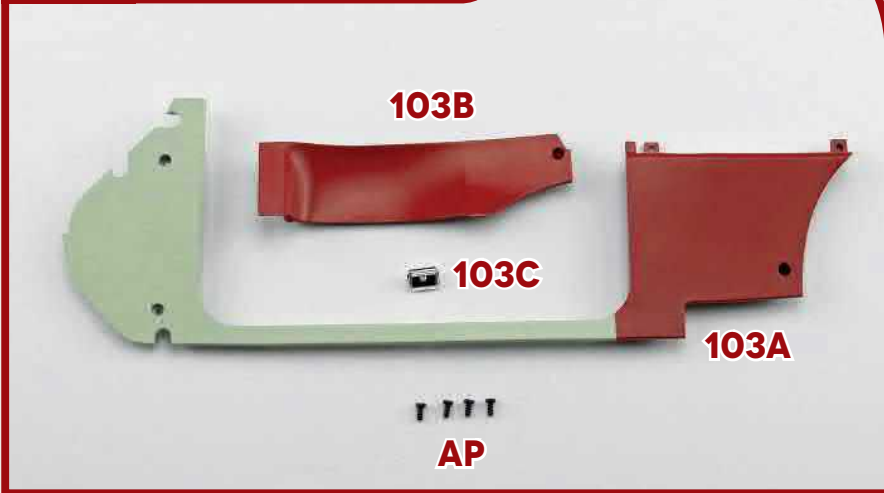
## 102 PARTS LIST

- 102A** Rear inner panel 1 (L)
- 102B** Rear inner panel 2 (L)
- 102C** Ashtray
- AP** 4 screws (2x4 mm)



103 PARTS LIST

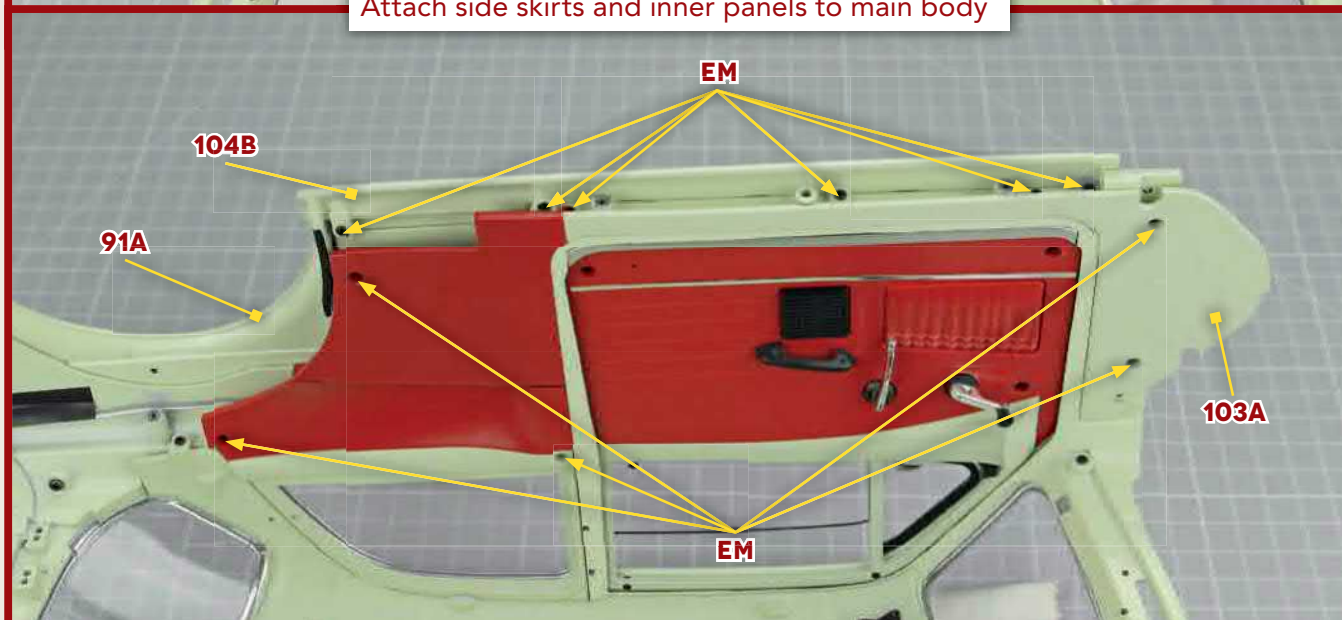
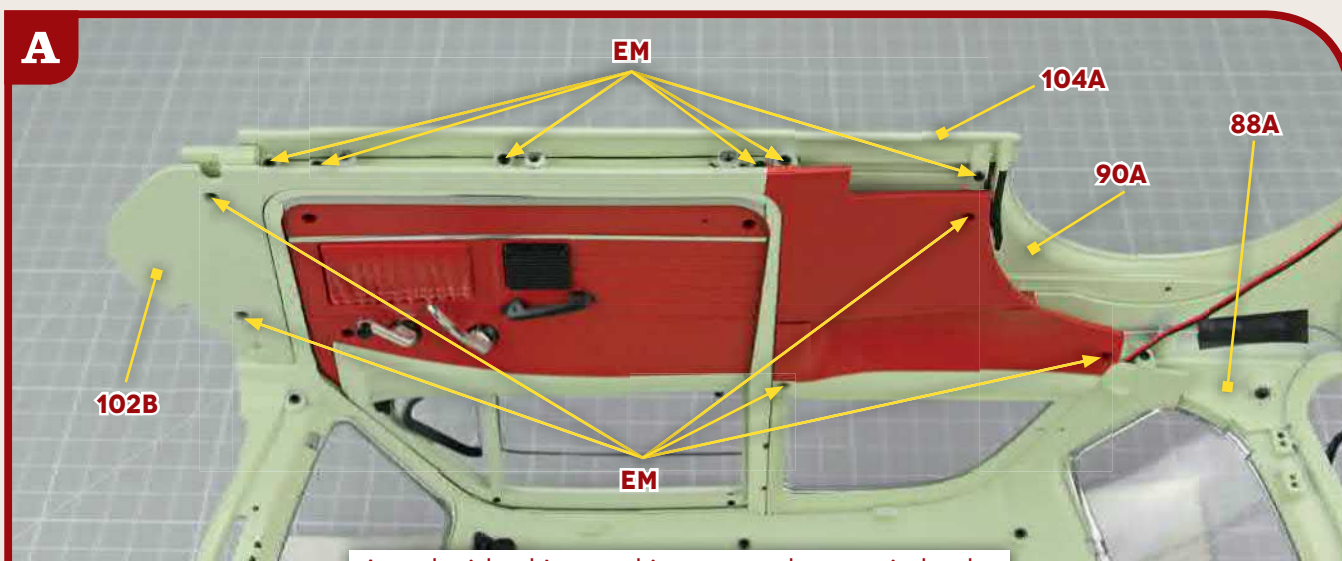
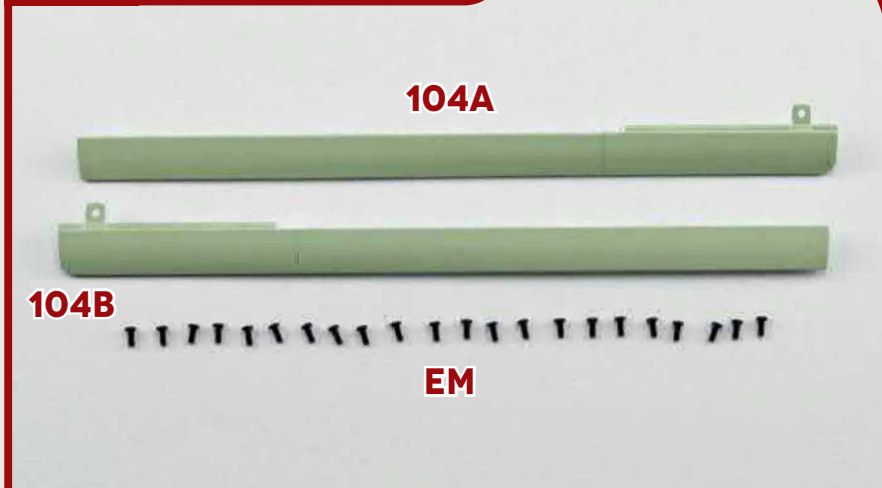
- 103A** Rear inner panel 1 (R)
- 103B** Rear inner panel 2 (R)
- 103C** Ashtray
- AP** 4 screws (2x4 mm)



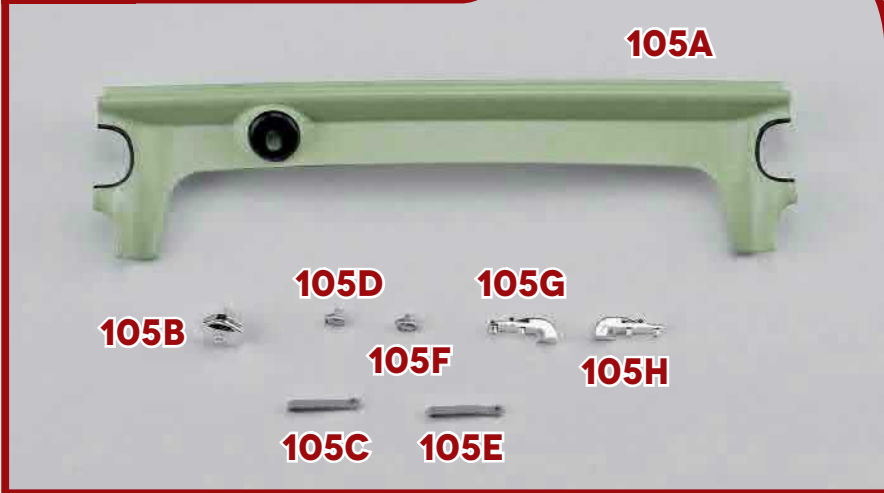
# STEP BY STEP 104

## 104 PARTS LIST

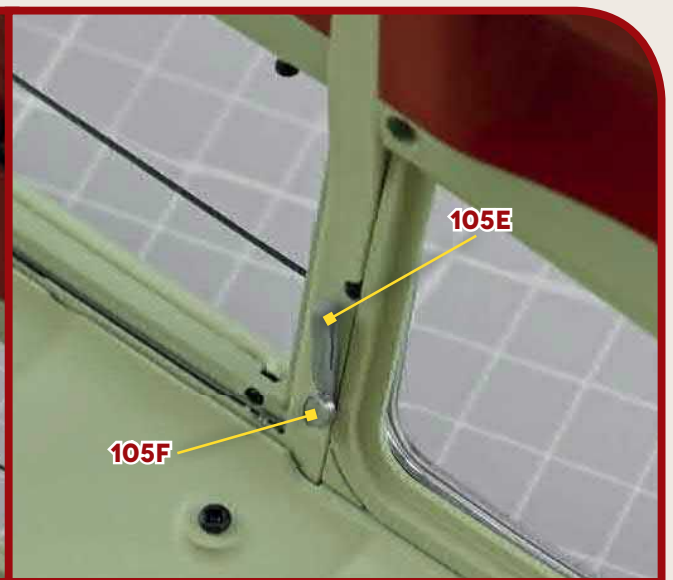
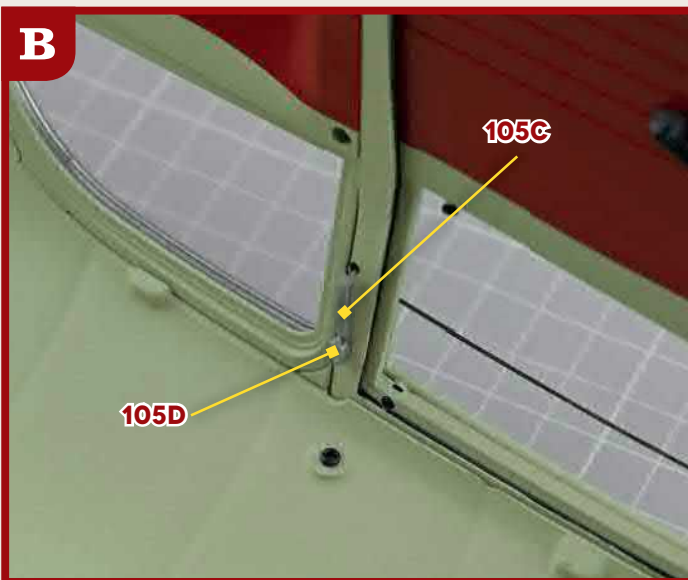
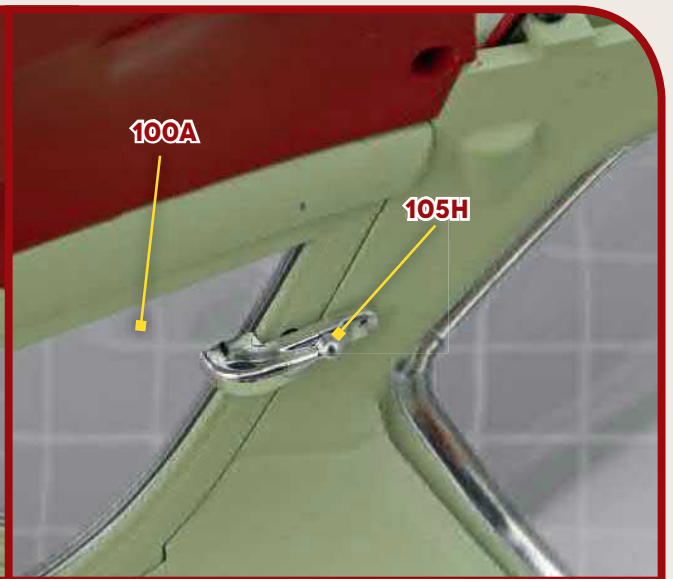
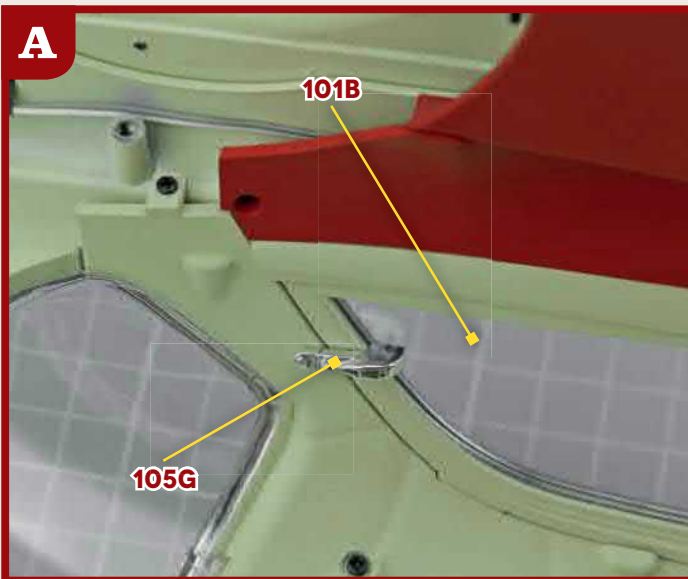
- 104A** Side skirt 1 (L)
- 104B** Side skirt 2 (R)
- EM** 2 screws (1.7x4 mm)



105 PARTS LIST



- 105A** Body rear panel
- 105B** Cap
- 105C** Strap handle 1
- 105D** Buckle 1
- 105E** Strap handle 2
- 105F** Buckle 2
- 105G** Window handle 1
- 105H** Window handle 2



**106 PARTS LIST**



**106D**



**106B**



**106A**



**106C**



**106H**



**106F**



**106E**



**106G**



**DM**



**EM**

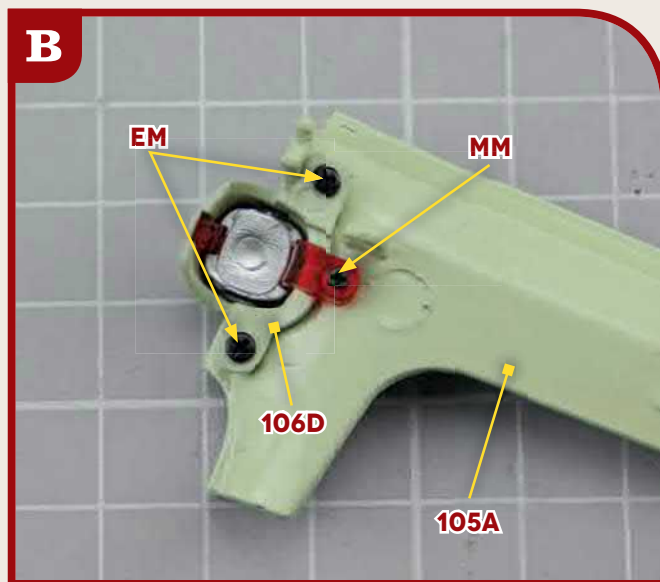
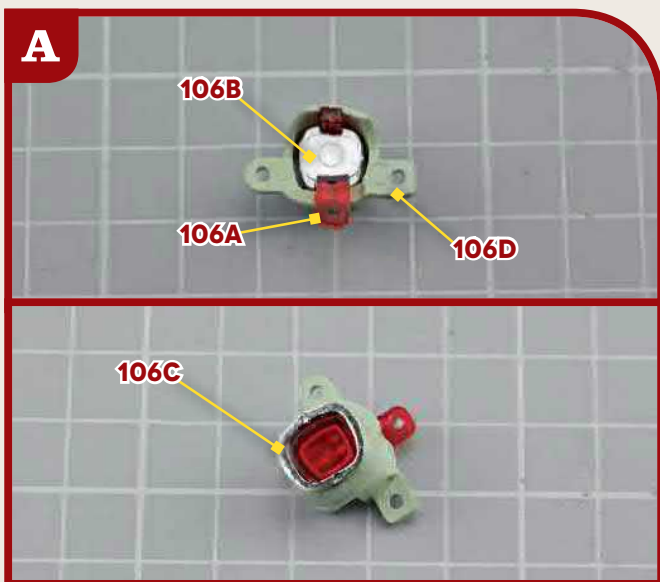


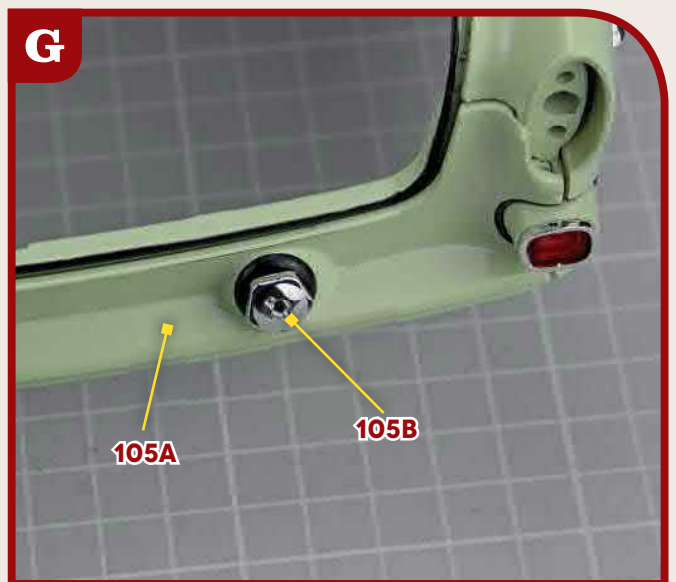
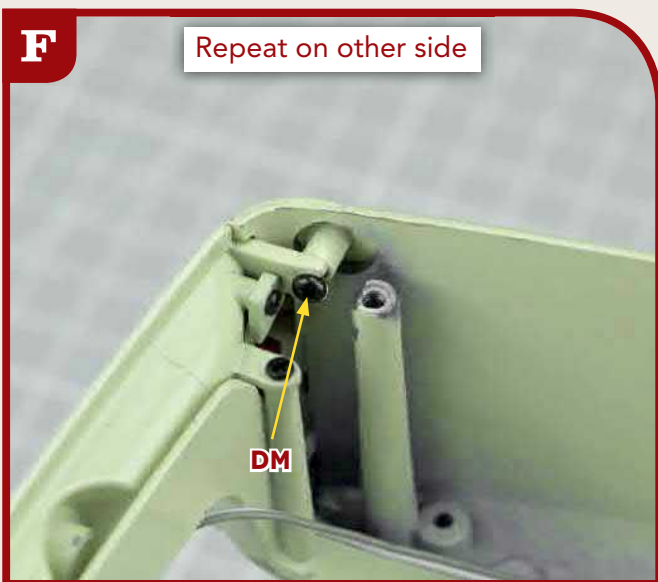
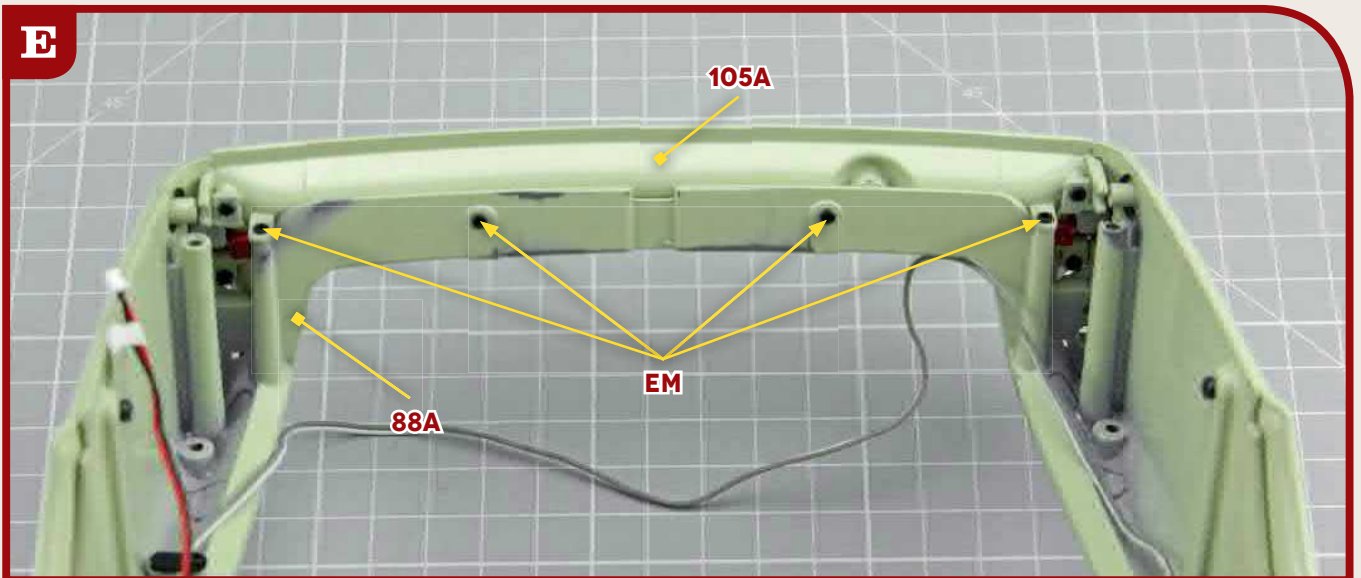
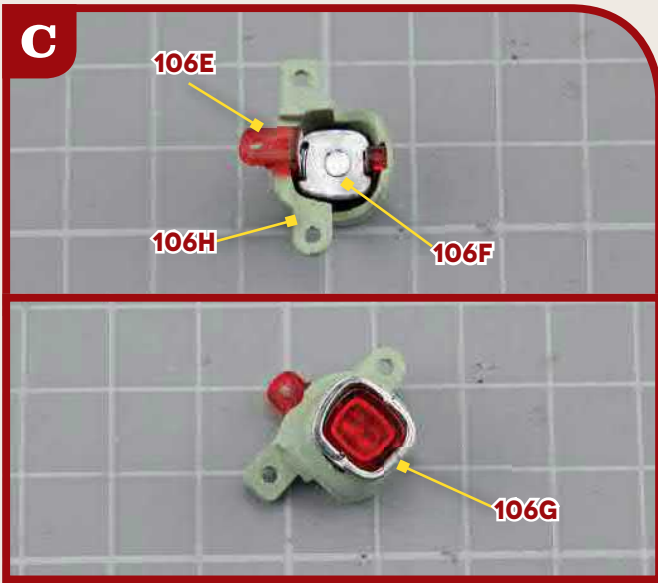
**MM**

- 106A** Rear fog light lens 1 (L)
- 106B** Rear fog light body 1 (L)
- 106C** Rear fog light frame 1 (L)
- 106D** Rear fog light casing 1 (L)

- 106E** Rear fog light lens 2 (R)
- 106F** Rear fog light body 2 (R)
- 106G** Rear fog light frame 2 (R)
- 106H** Rear fog light casing 2 (R)

- DM** 2 screws (2.3x4 mm)
- EM** 8 screws (1.7x4 mm)
- MM** 2 screws (1.2x3 mm)

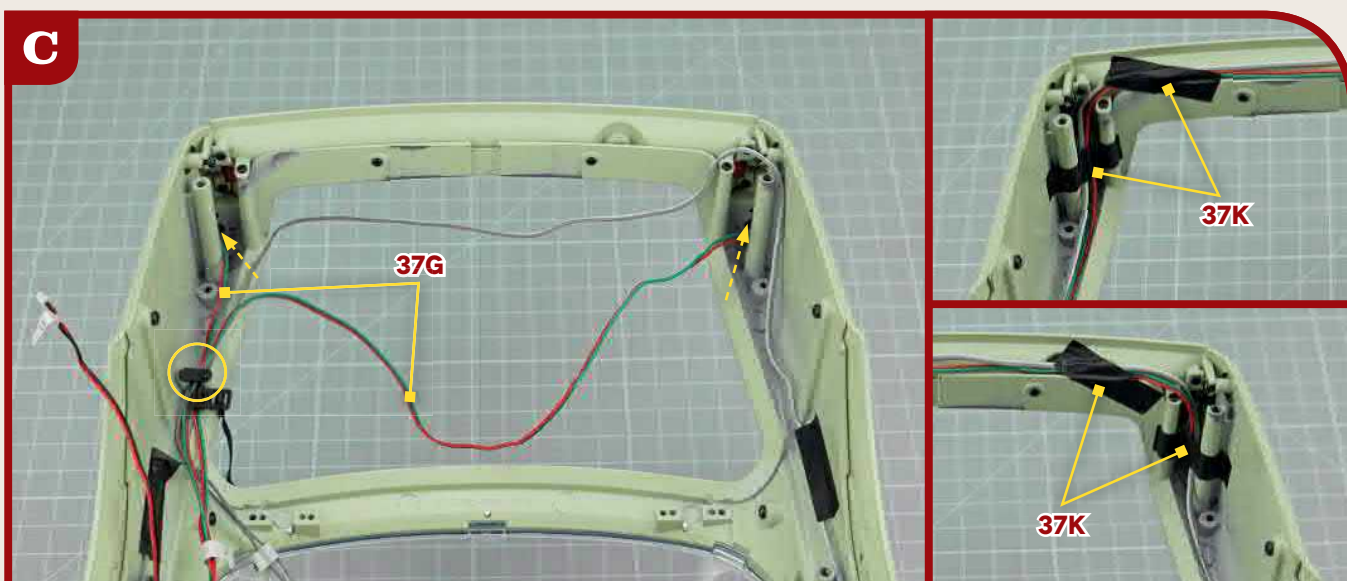
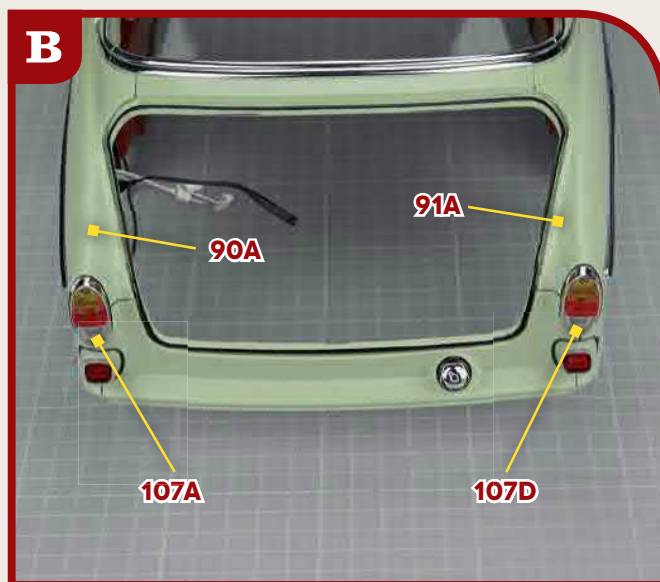
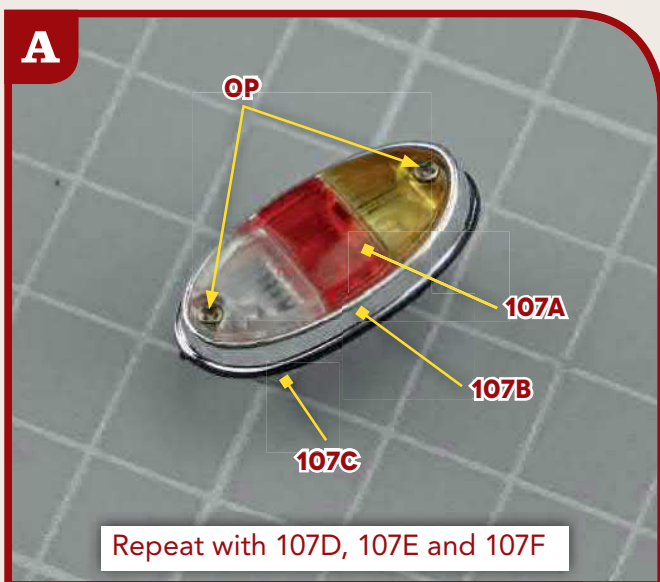




## 107 PARTS LIST



- 107A** Tail light lens 1 (L)
- 107B** Tail light frame 1 (L)
- 107C** Tail light body 1 (L)
- 107D** Tail light lens 2 (R)
- 107E** Tail light frame 2 (R)
- 107F** Tail light body 2 (R)
- OP** 4 screws (1.2x3 mm)



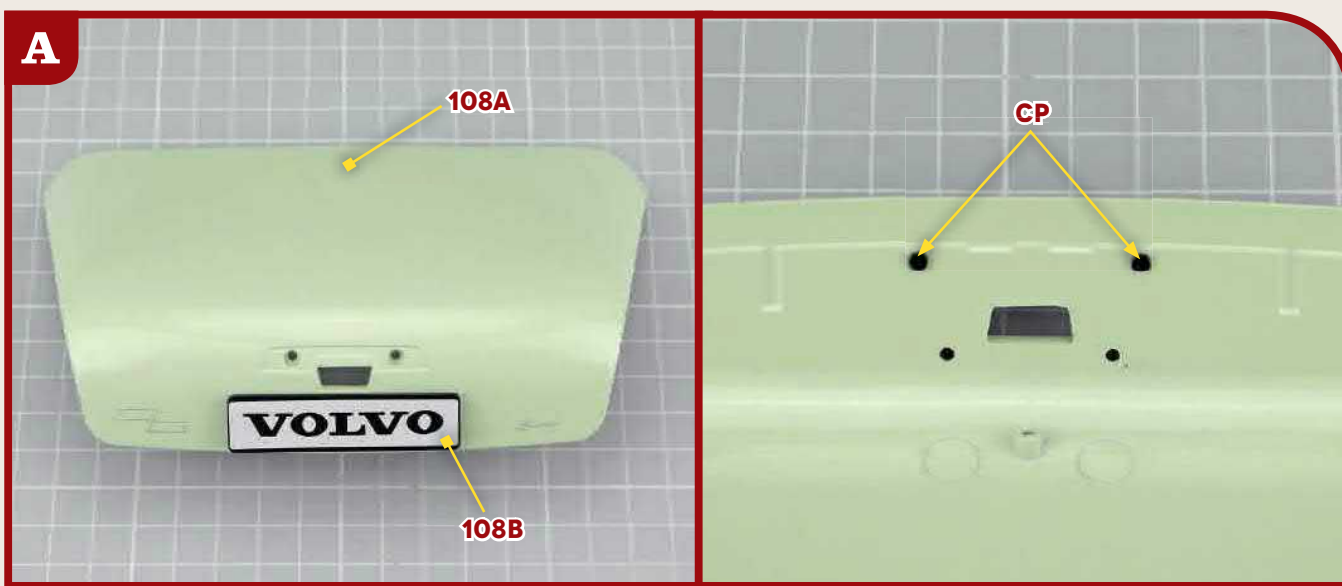


108 PARTS LIST



**108A** Boot lid  
**108B** Rear plate

**CP** 2 screws (1.7x4 mm)

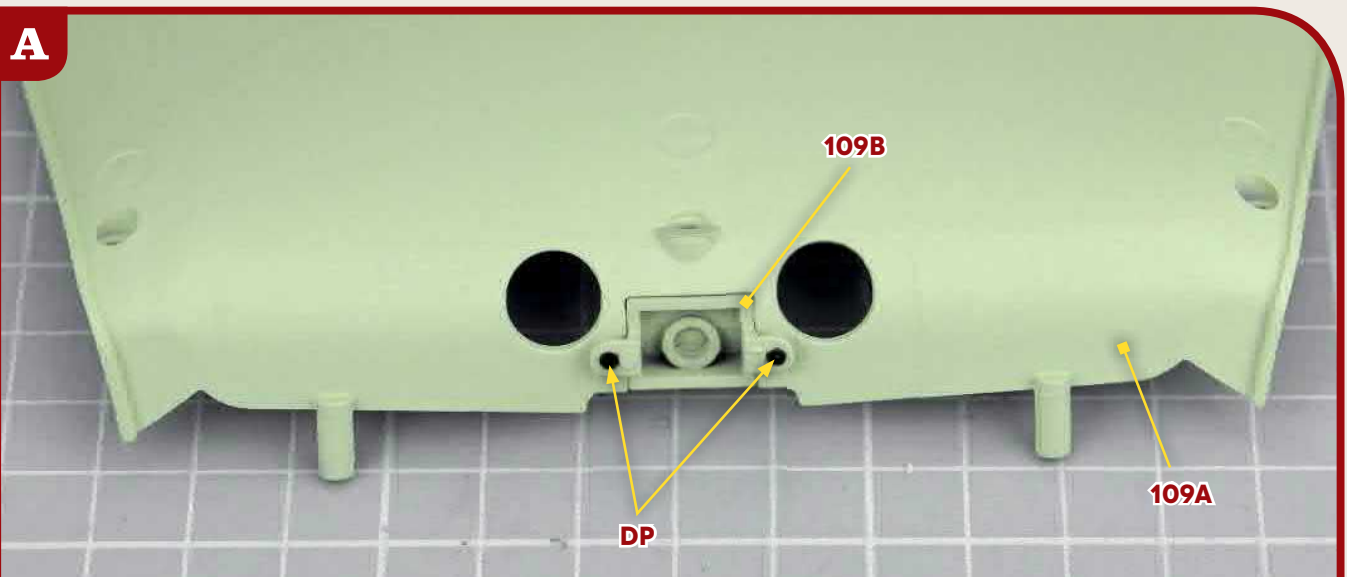


**109 PARTS LIST**



- 109A** Boot lid mount
- 109B** Lid latch
- 109C** Spring
- 109D** Boot lid panel

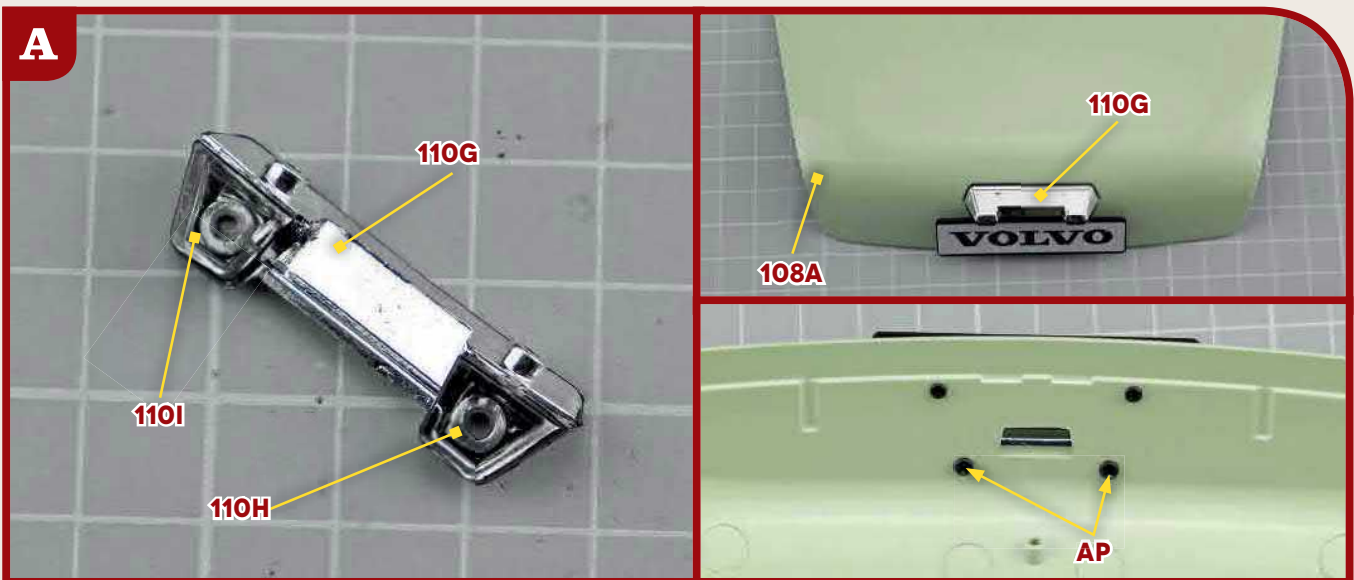
**DP** 2 screws (1.2x3 mm)

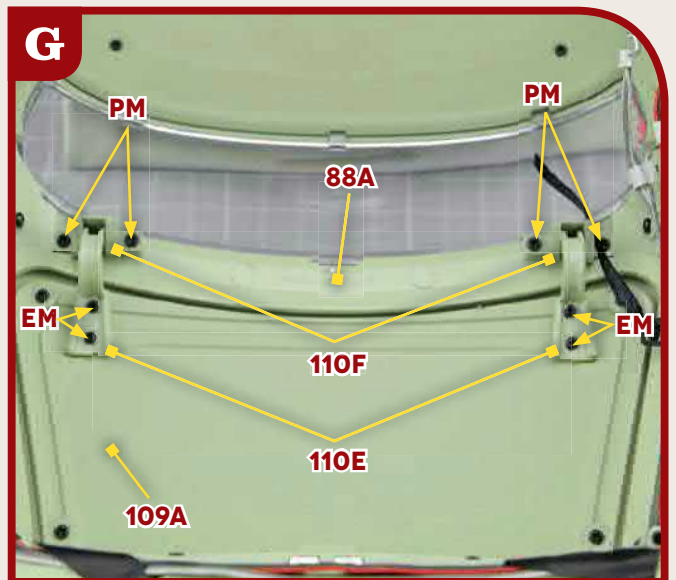
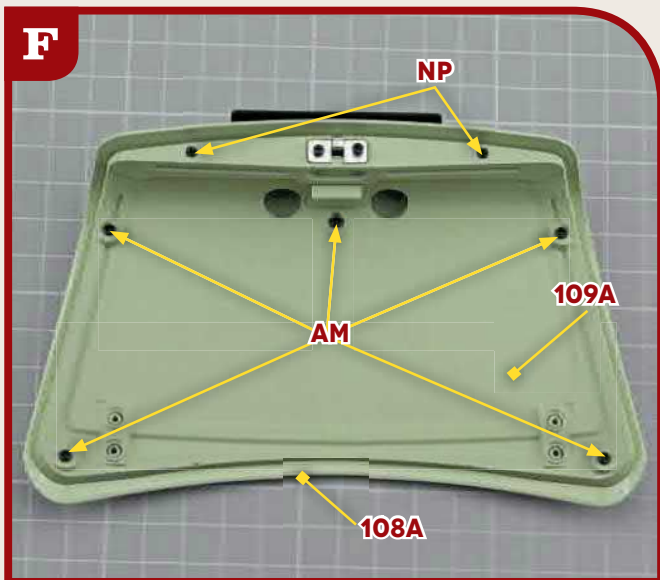
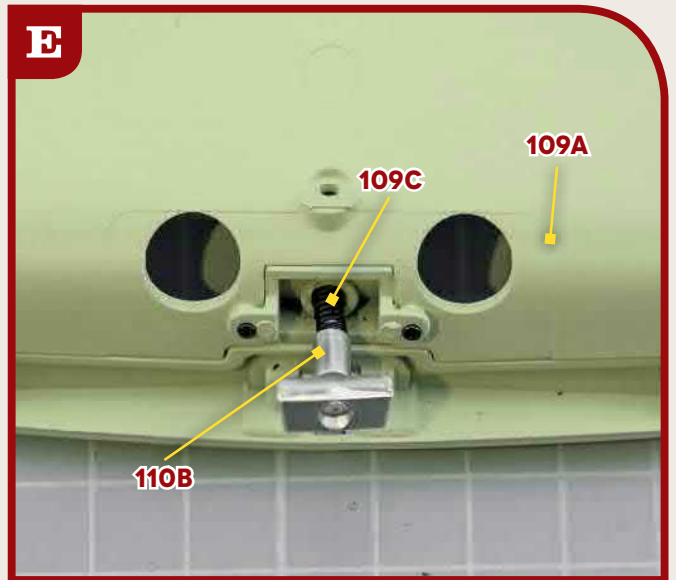
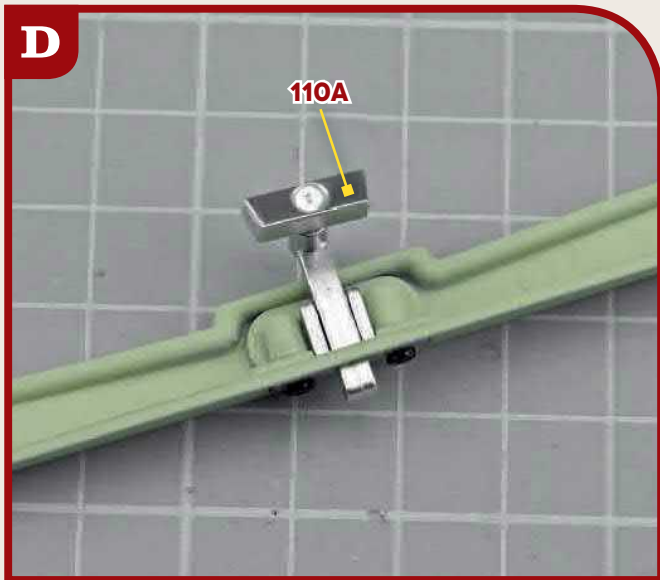
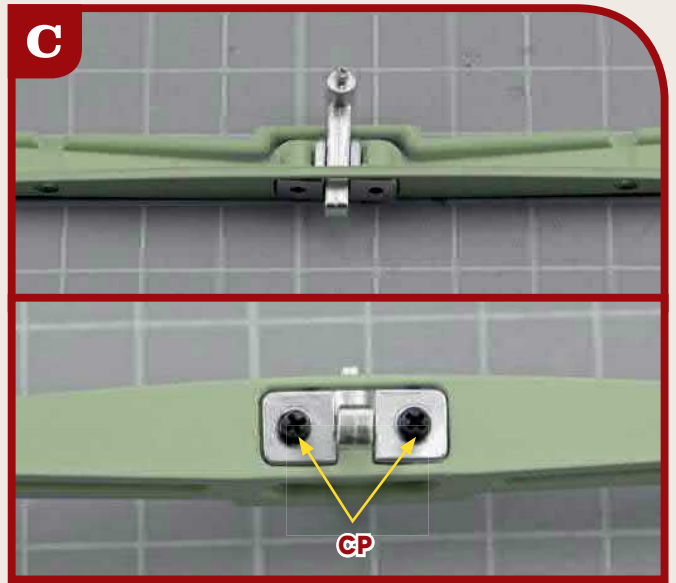
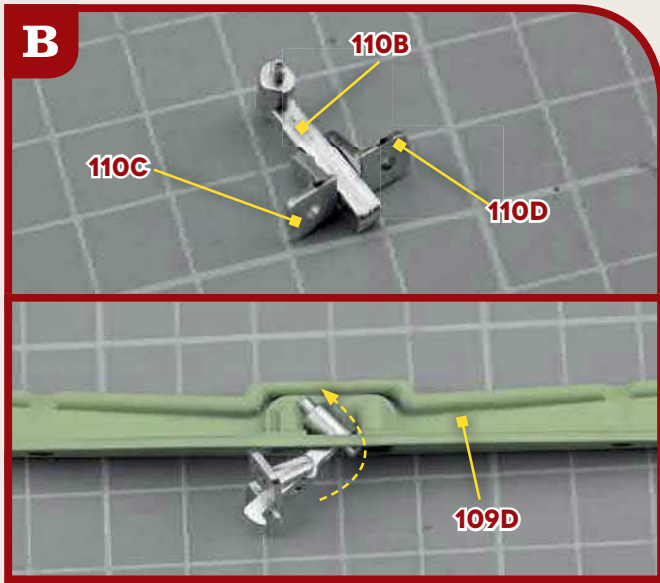


110 PARTS LIST



- |                             |                                     |                               |
|-----------------------------|-------------------------------------|-------------------------------|
| <b>110A</b> Push button     | <b>110G</b> Rear plate lights mount | <b>PM</b> 4 screws (2x6 mm)   |
| <b>110B</b> Push button arm | <b>110H</b> Light 1 (L)             | <b>AP</b> 2 screws (2x4 mm)   |
| <b>110C</b> Bracket 1 (L)   | <b>110I</b> Light 2 (R)             | <b>CP</b> 2 screws (1.7x4 mm) |
| <b>110D</b> Bracket 2 (R)   |                                     | <b>NP</b> 2 screws (1.6x4 mm) |
| <b>110E</b> Hinges          | <b>AM</b> 5 screws (2x4 mm)         |                               |
| <b>110F</b> Hinges brackets | <b>EM</b> 4 screws (1.7x4 mm)       |                               |

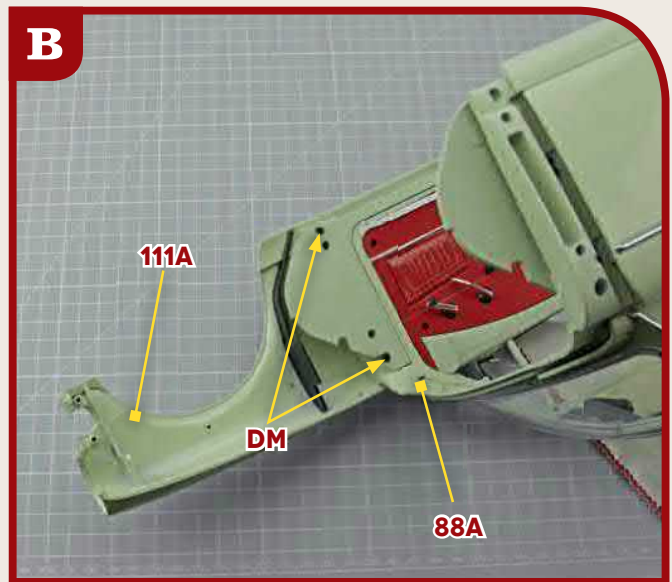
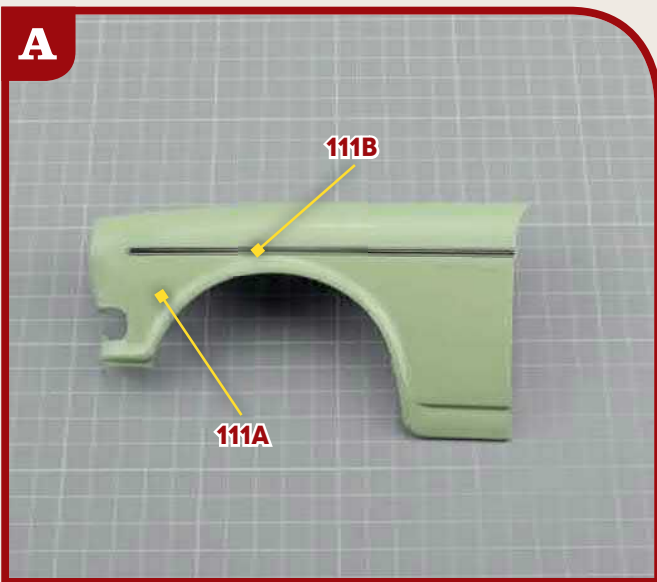




111 PARTS LIST



- 111A Front mudguard (L)
- 111B Front mudguard trim (L)
- 111C Fairleads
- DM 2 screws (2.3x4 mm)
- EM 2 screws (1.7x4 mm)

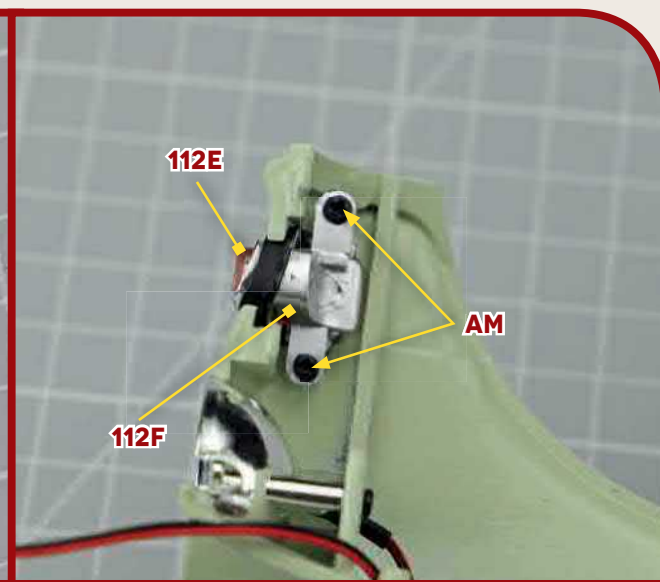
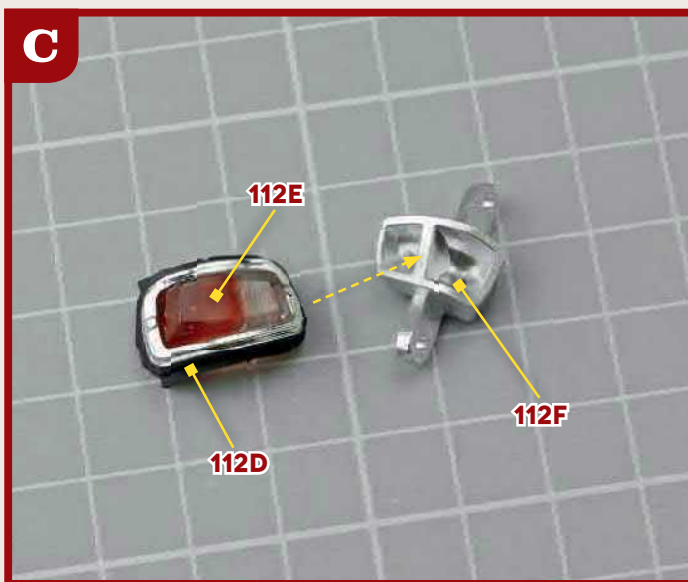
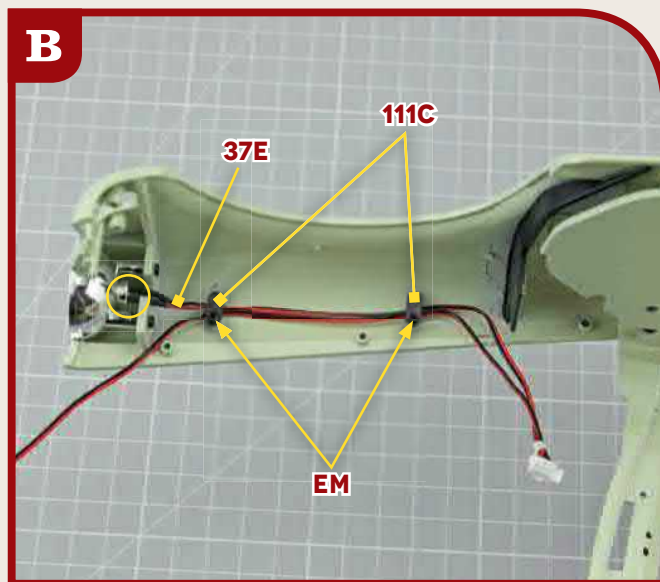
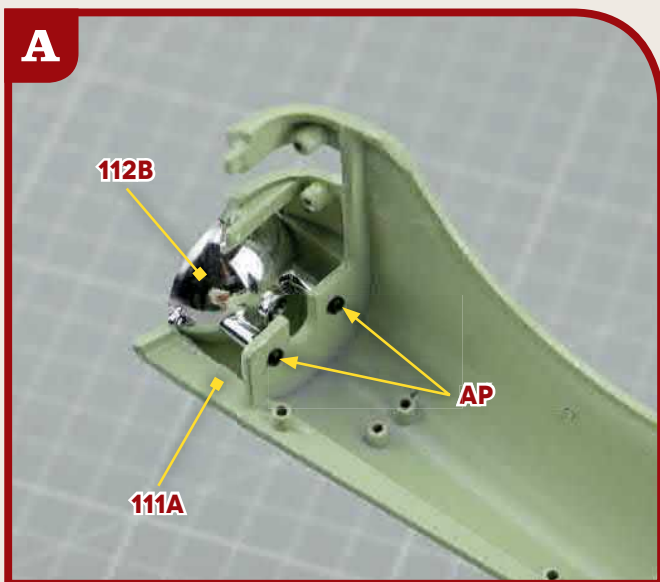


## 112 PARTS LIST



- 112A** Head light frame (L)
- 112B** Head light body (L)
- 112C** Head light lens (L)
- 112D** Turn signal frame (L)
- 112E** Turn signal lens (L)
- 112F** Turn signal body (L)

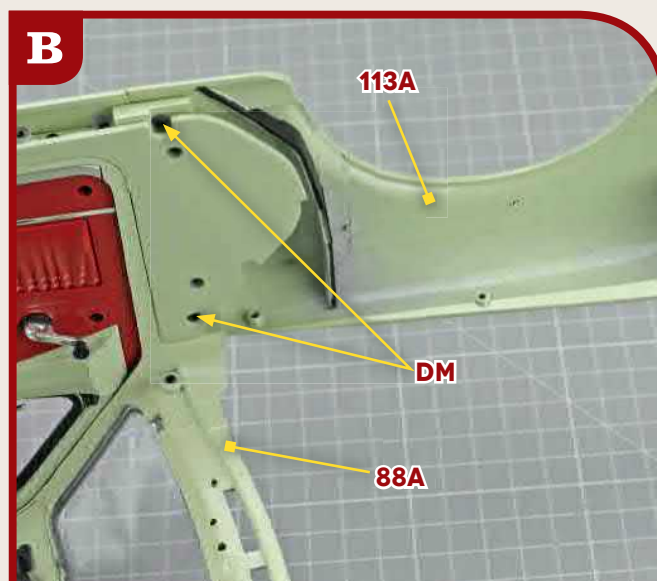
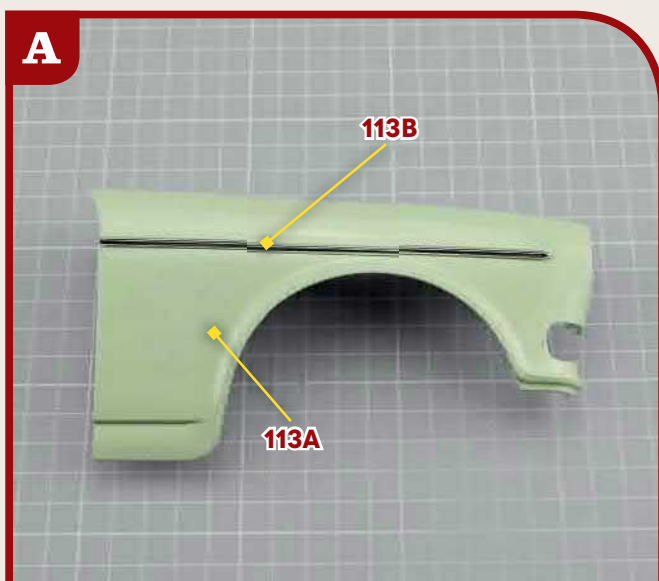
- AM** 2 screws (2x4 mm)
- AP** 2 screws (2x4 mm)



## 113 PARTS LIST



- 113A** Front mudguard (R)  
**113B** Front mudguard trim (R)  
**DM** 2 screws (2.3x4 mm)



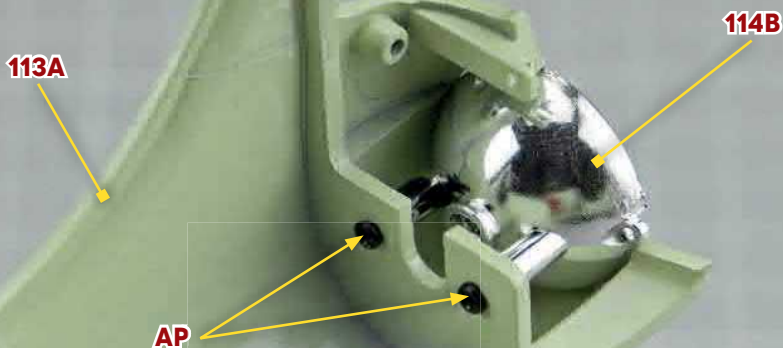
## 114 PARTS LIST



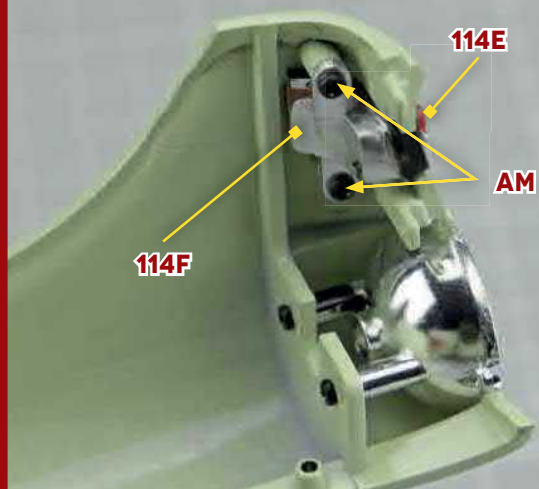
- 114A** Head light frame (R)
- 114B** Head light body (R)
- 114C** Head light lens (R)
- 114D** Turn signal frame (R)
- 114E** Turn signal lens (R)
- 114F** Turn signal body (R)

- AM** 2 screws (2x4 mm)
- AP** 2 screws (2x4 mm)

**A**



**B**





**115 PARTS LIST**

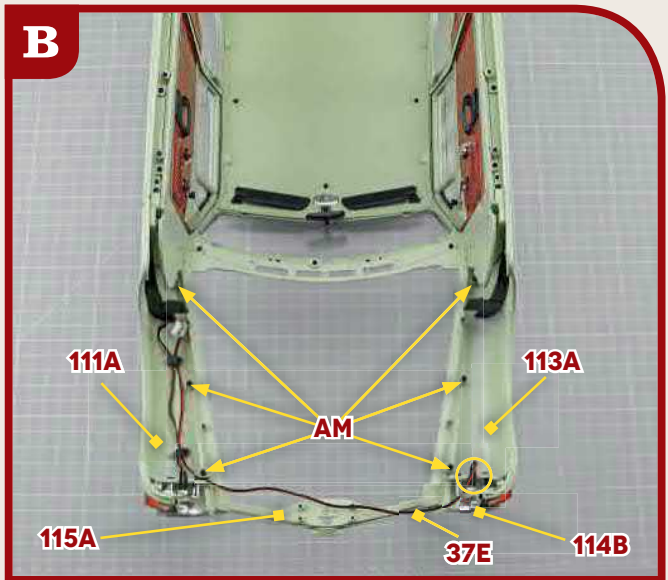
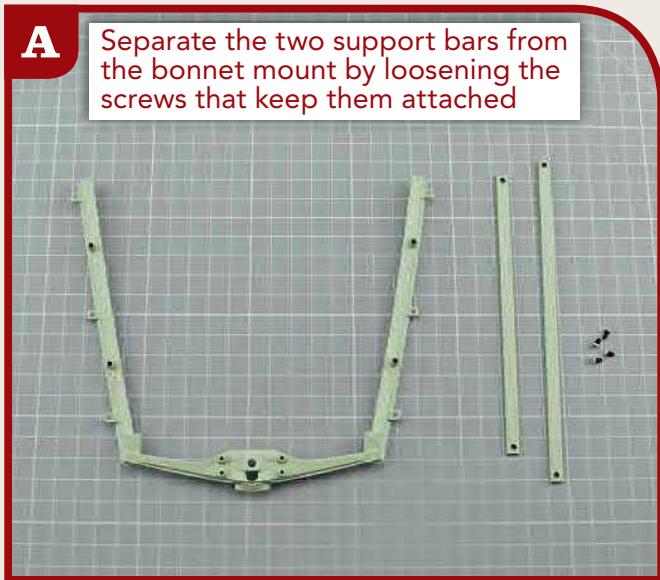


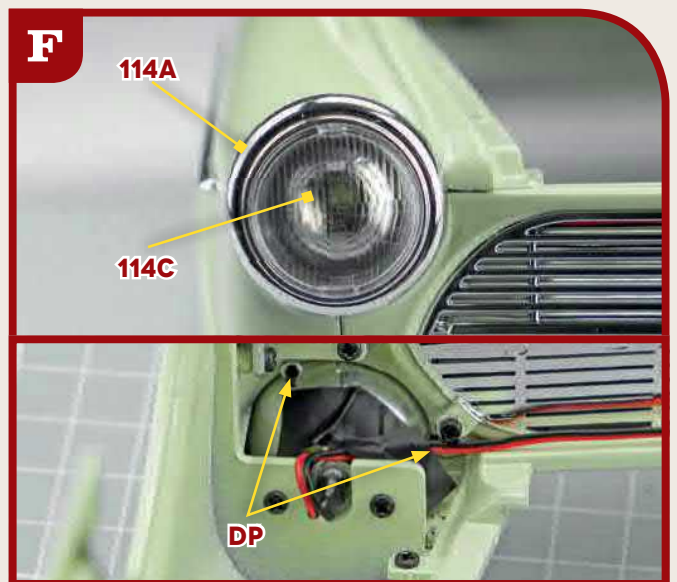
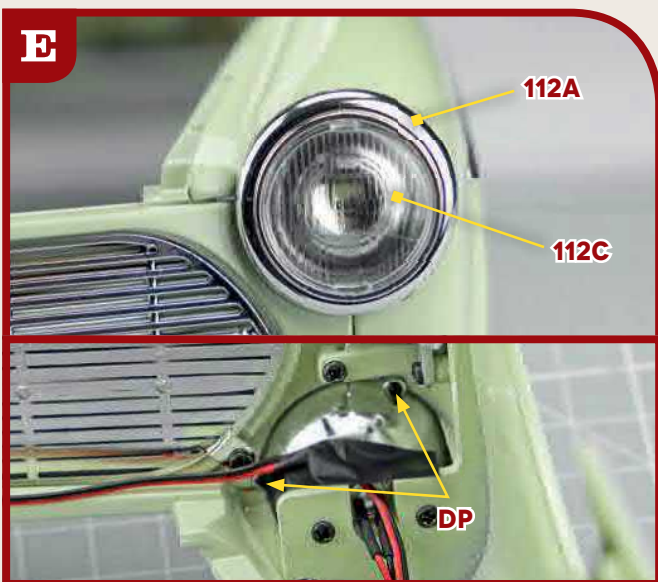
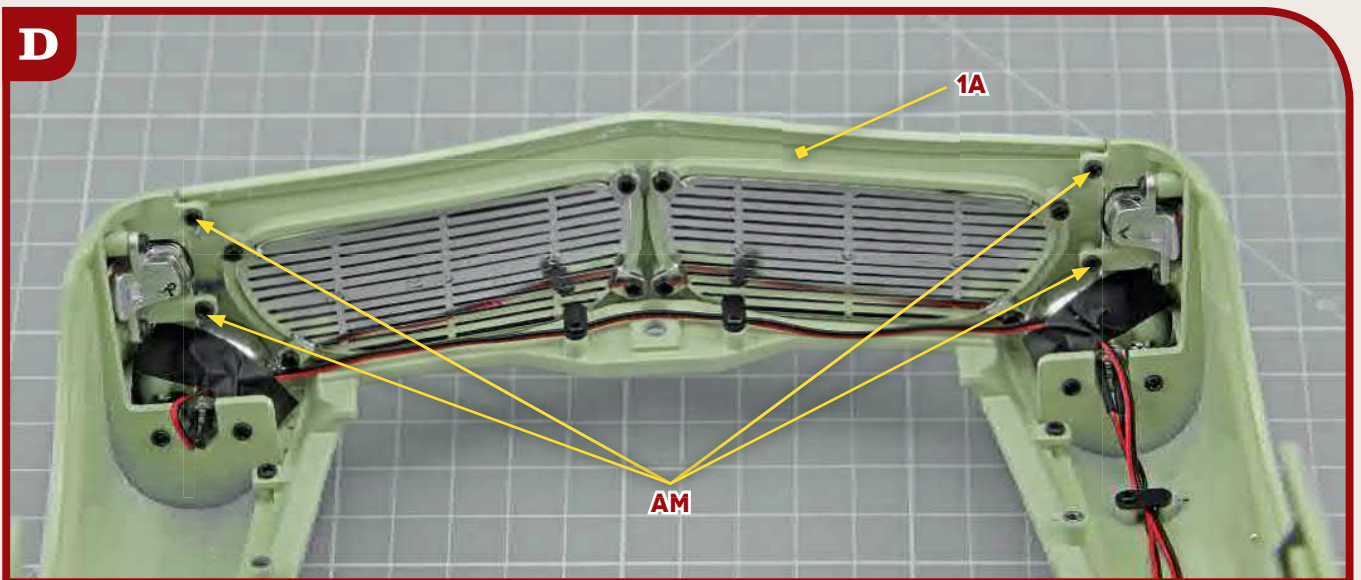
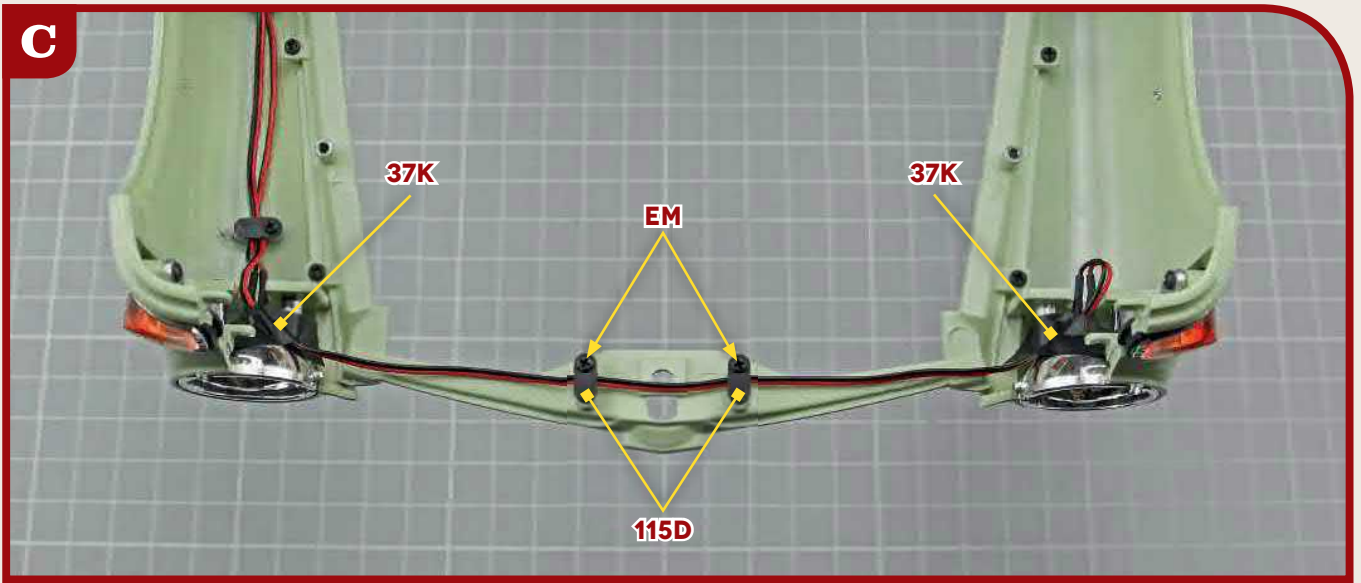
**115A+115B+115C**

- 115A** Bonnet mount
- 115B** Support bar 1
- 115C** Support bar 2

- 115D** Fairleads
- AM** 10 screws (2x4 mm)

- EM** 2 screws (1.7x4 mm)
- DP** 4 screws (1.2x3 mm)



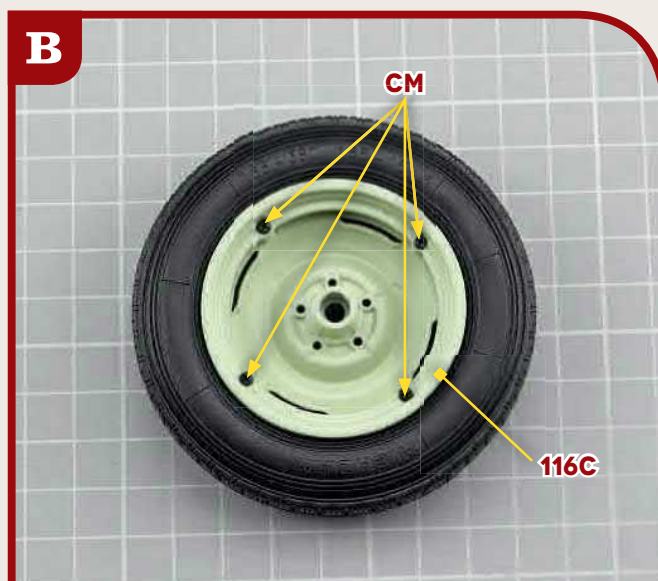


## 116 PARTS LIST



- 116A** Tyre
- 116B** Outer rim
- 116C** Inner rim

**CM** 4 screws (1.5x4 mm)



## 117 PARTS LIST



117A Spare wheel cover  
 117B Buckle 1  
 117C Buckle 2  
 117D Belt  
 117E Mount

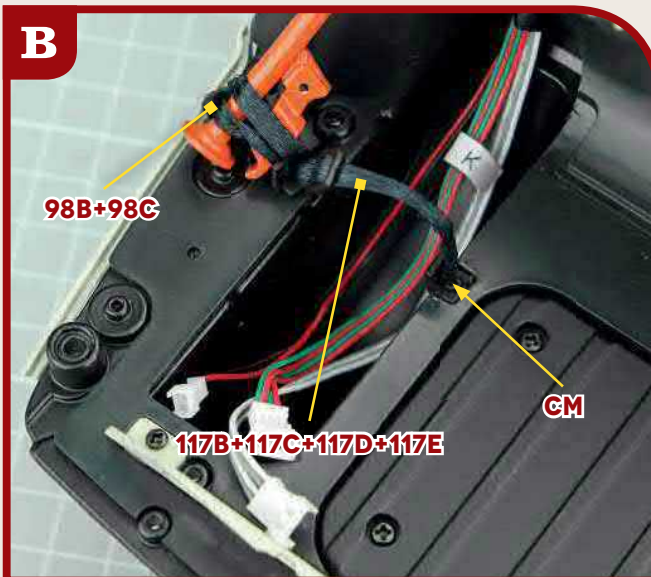
AM 4 screws (2x4 mm)  
 DM 4 screws (2.3x4 mm)  
 CM 1 screw (1.5x4 mm)  
 LM 10 screws (2.6x5 mm)  
 NM 4 screws (2x5 mm)

**A**

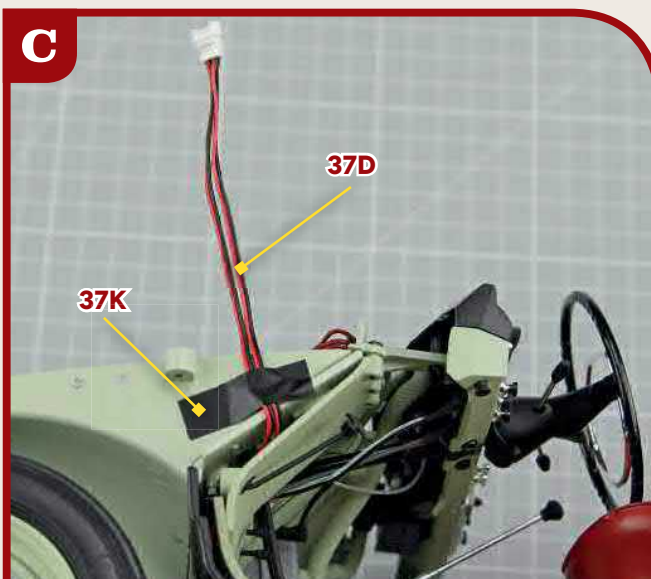
Temporarily separate  
 98B+98C from chassis

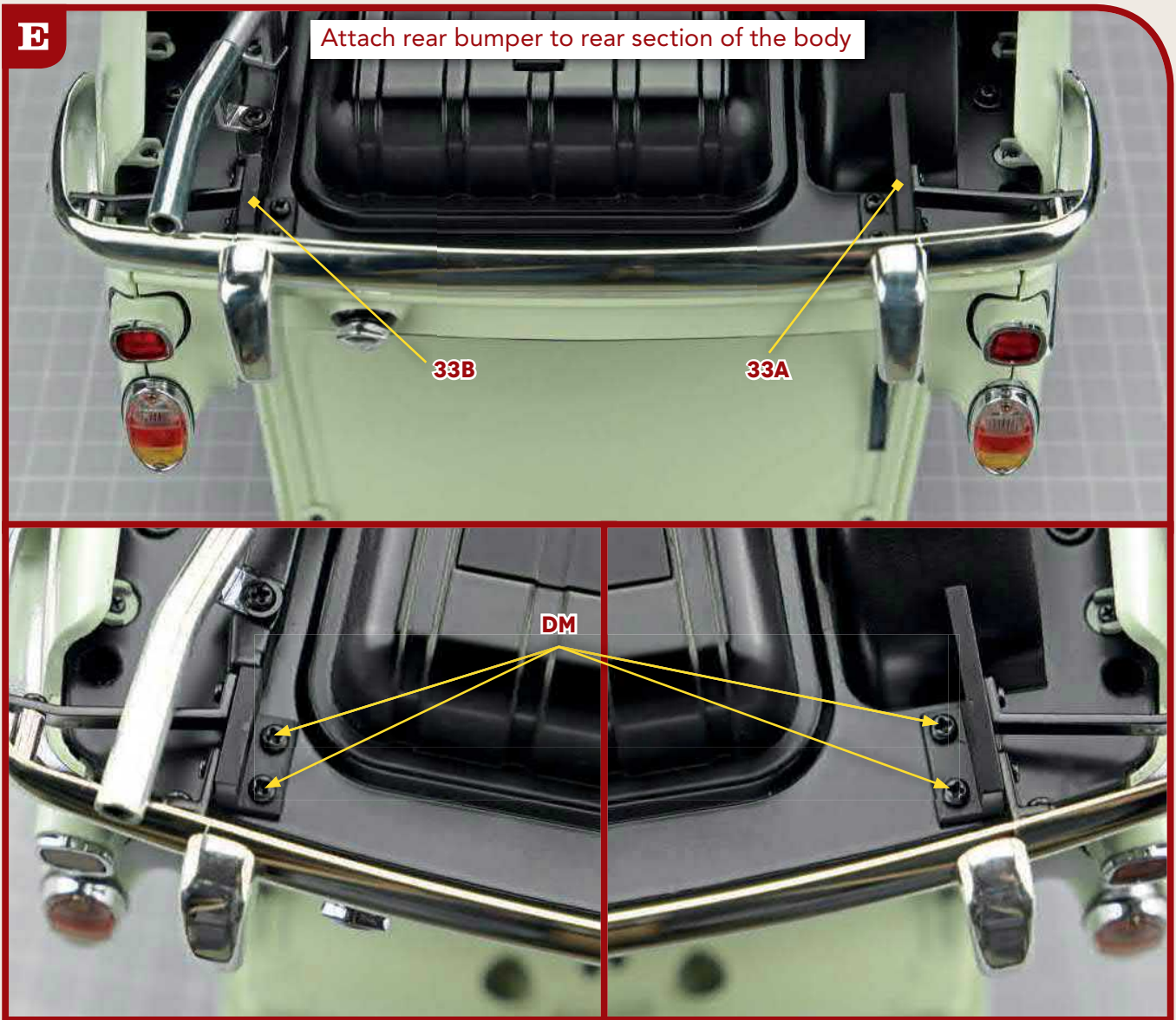
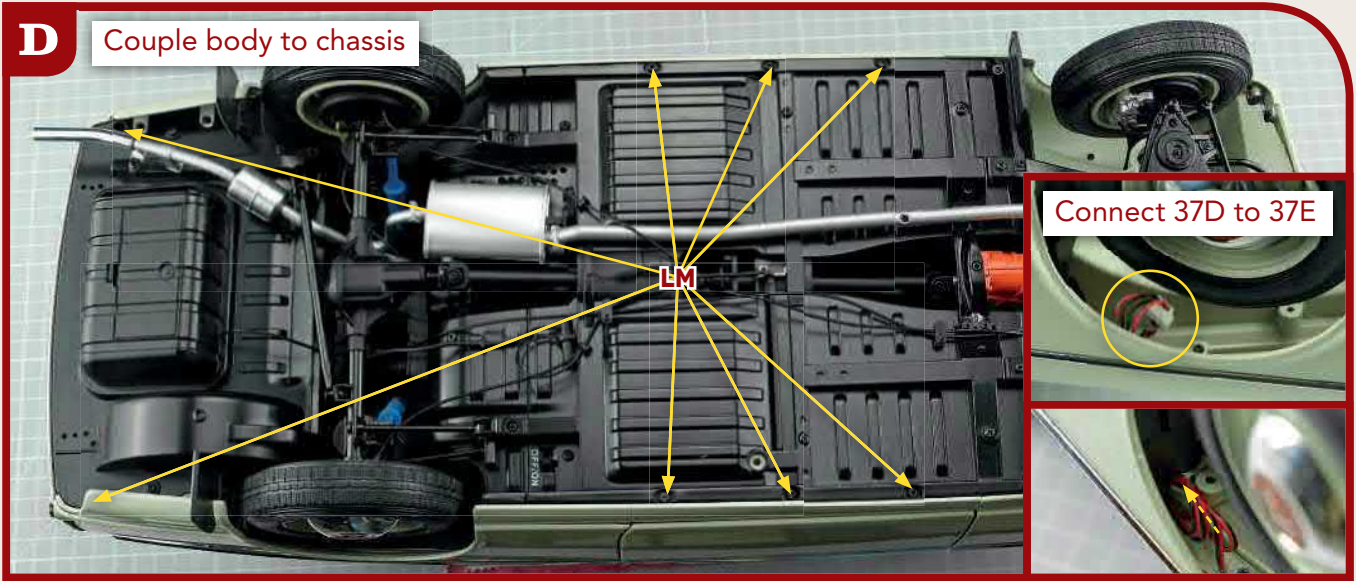


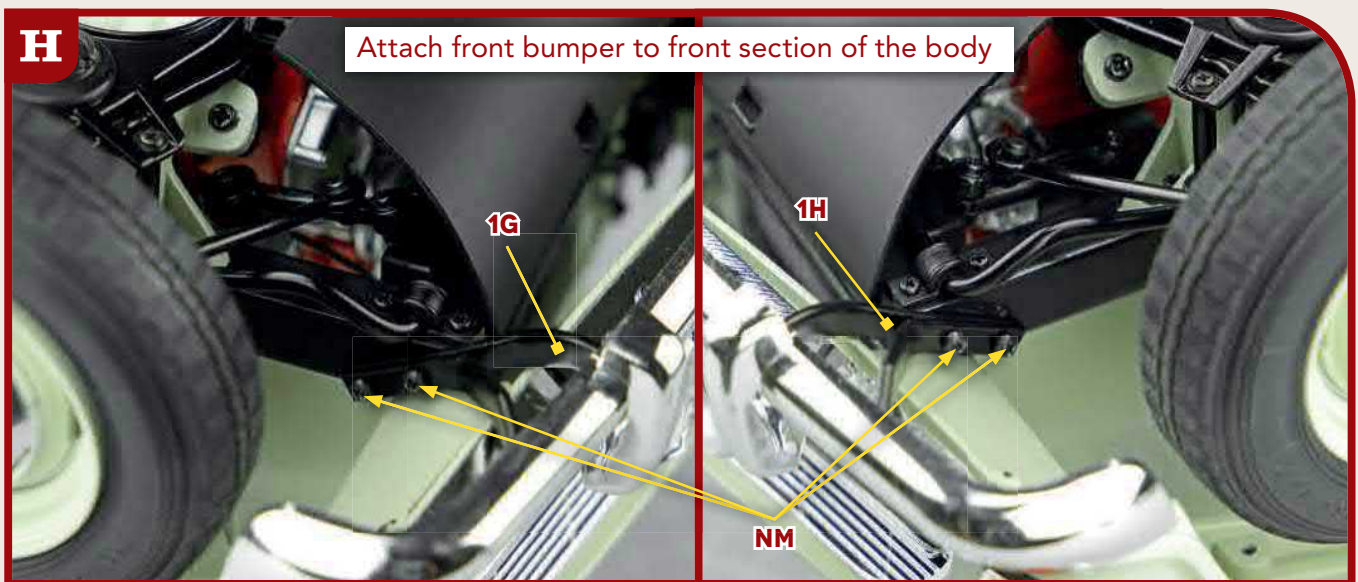
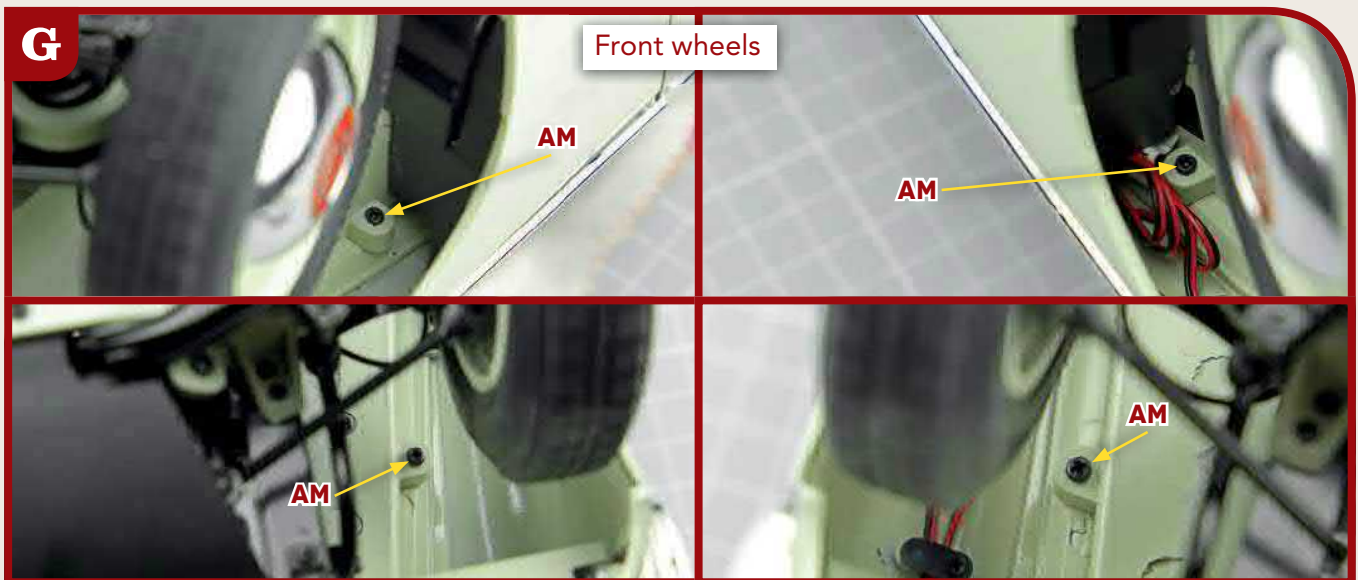
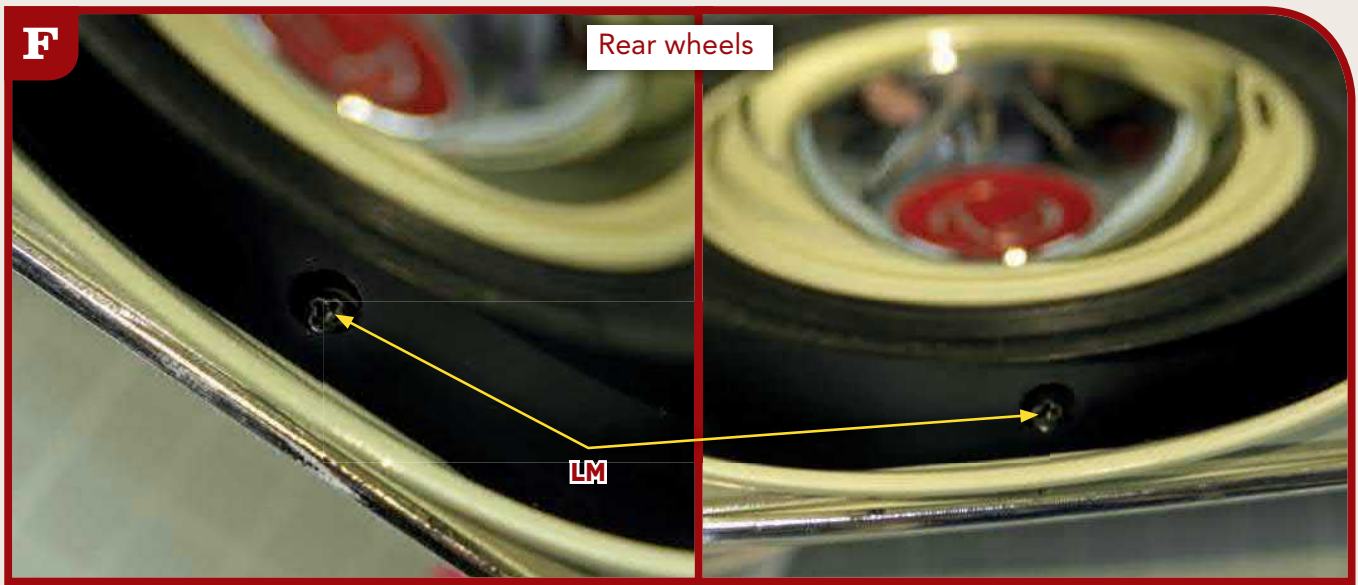
**B**

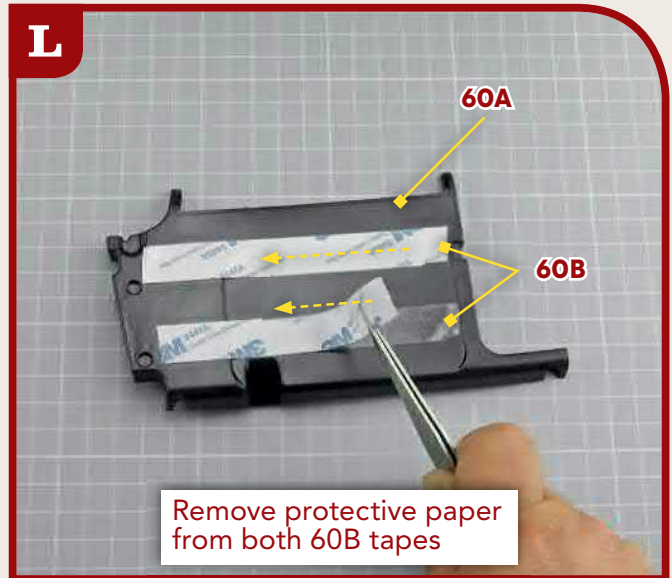
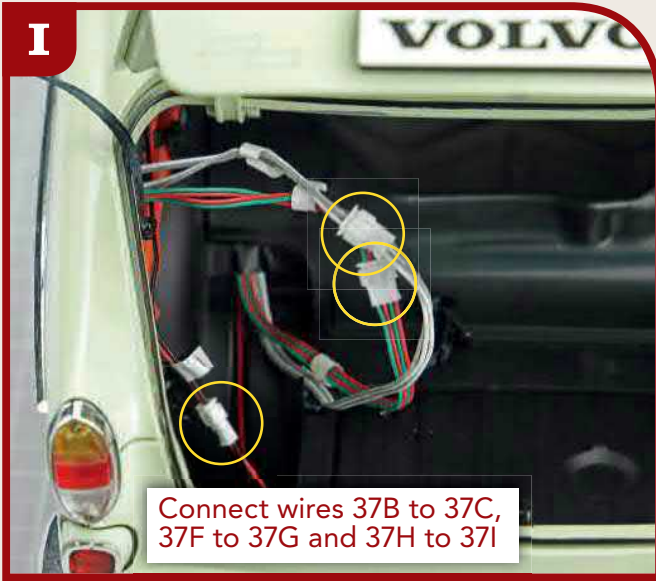


**C**









# STEP BY STEP 118

## 118 PARTS LIST

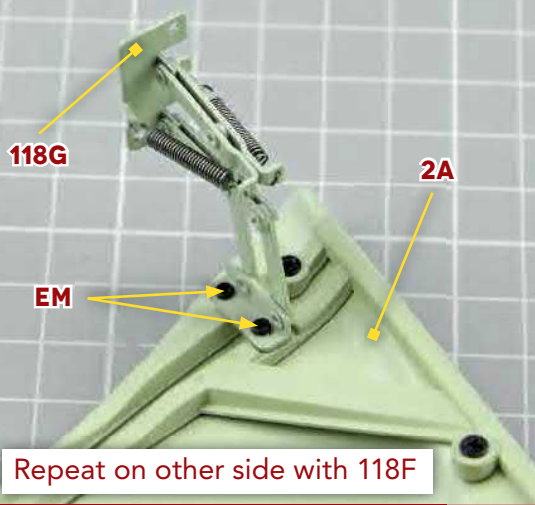


**118A+118B+118C+118D+118E**

**EM**

- 118A** Decal 1
- 118B** Decal 2
- 118C** Decal 3
- 118D** Decal 4
- 118E** Decal 5
- 118F** Bonnet hinge 1 (L)
- 118G** Bonnet hinge 2 (R)
  
- EM** 8 screws (1.7x4 mm)

**A**



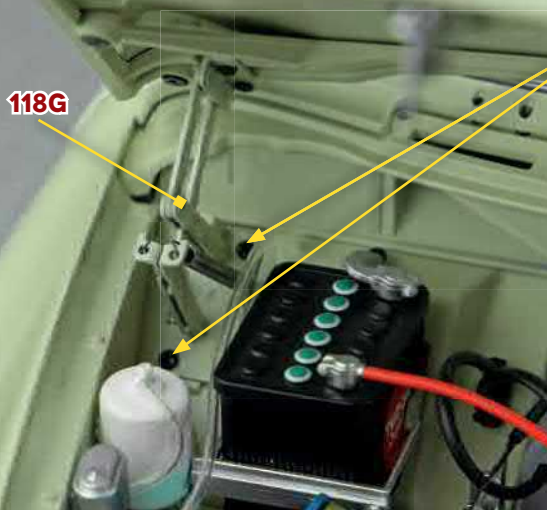
Repeat on other side with 118F

**B**

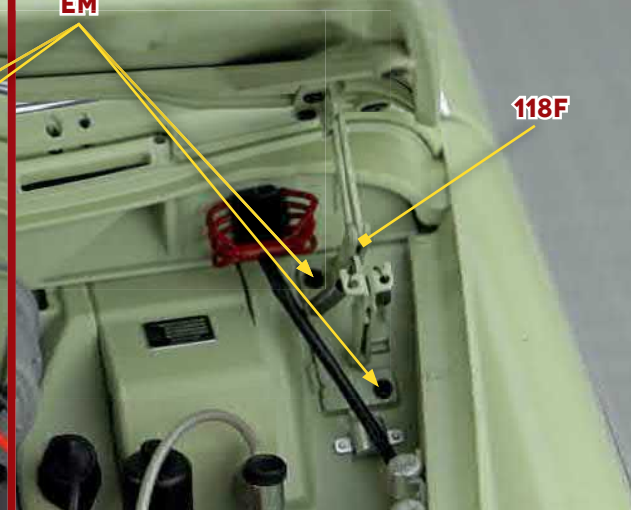


Attach bonnet to body

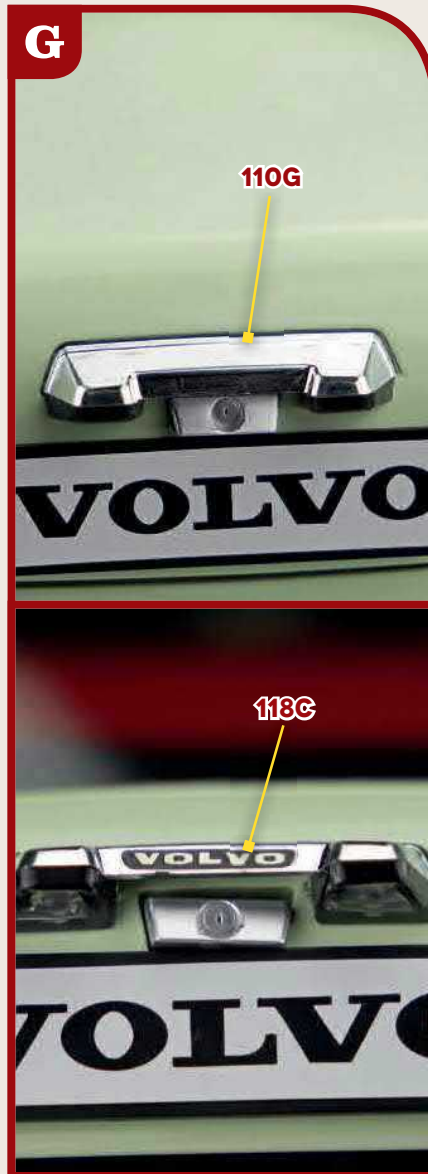
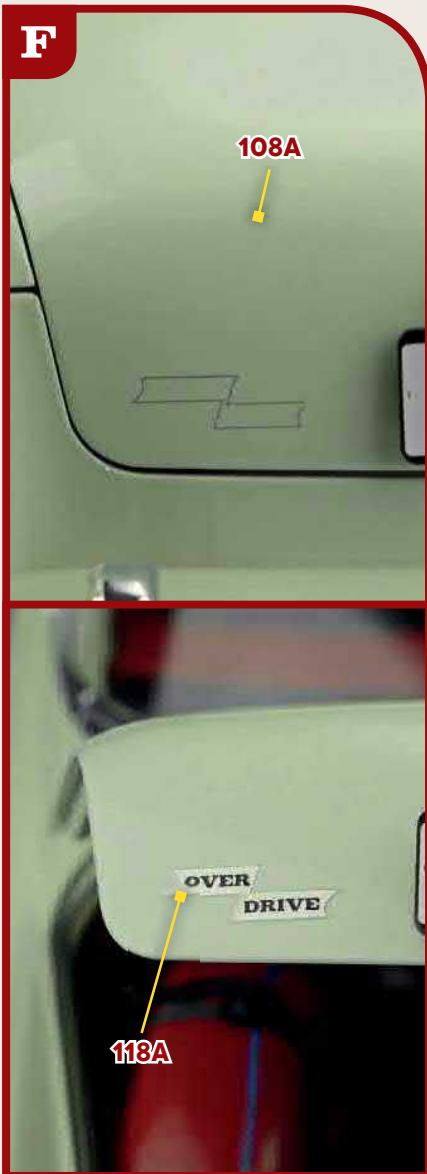
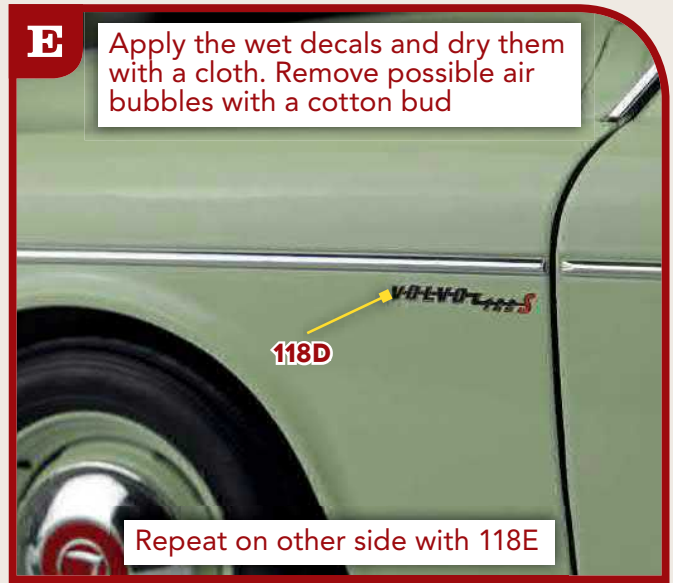
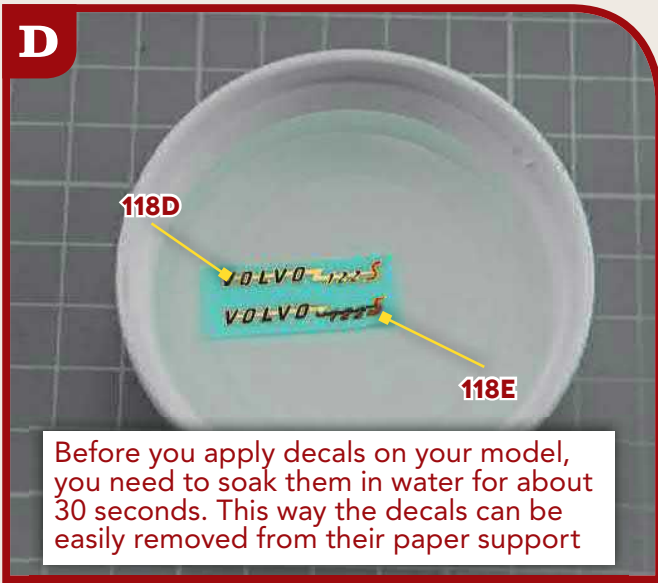
**C**



**EM**

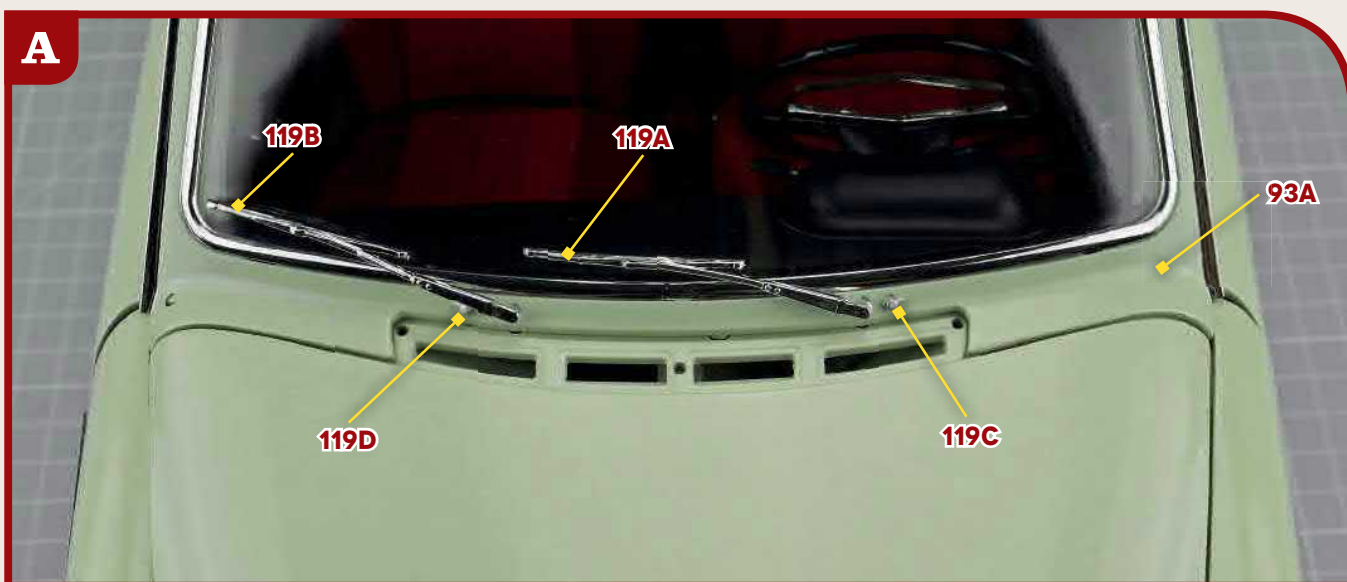




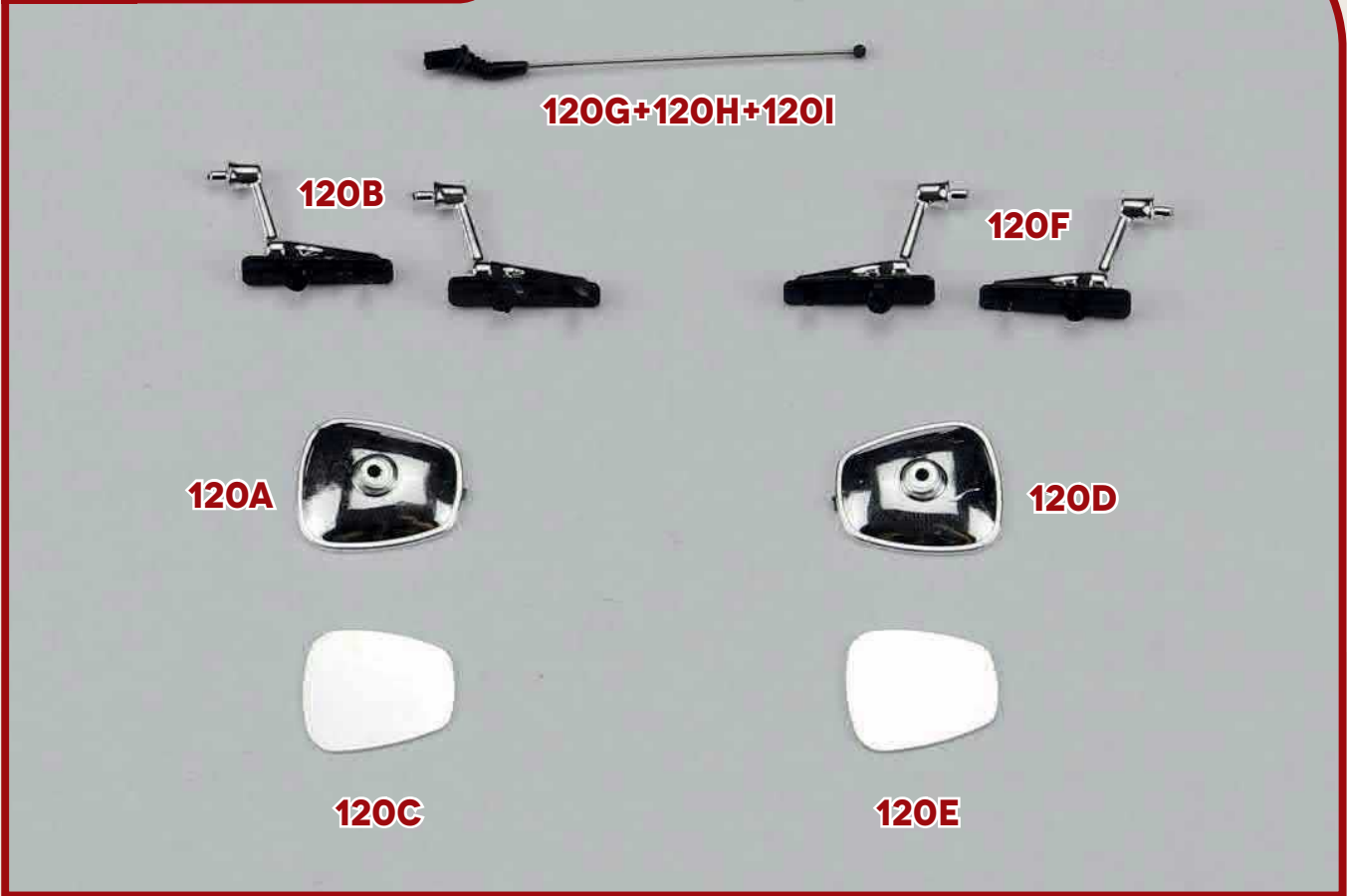


## 119 PARTS LIST

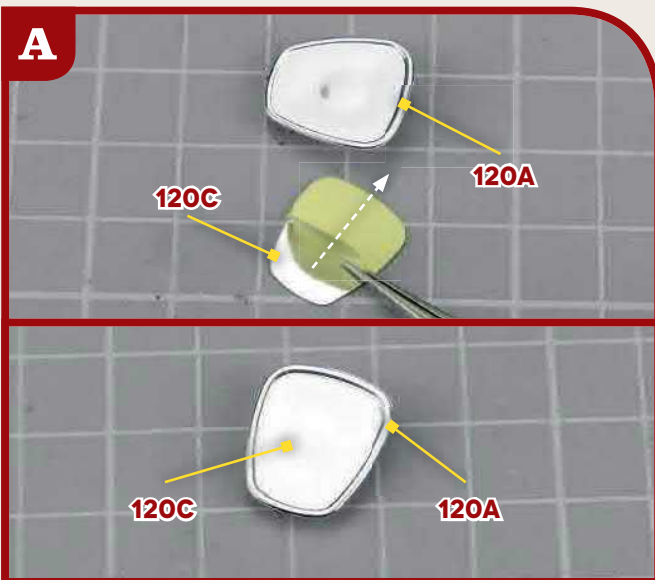
- 119A Windscreen wiper 1 (L)
- 119B Windscreen wiper 2 (R)
- 119C Nozzle 1 (L)
- 119D Nozzle 2 (R)
- 119E Frame
- 119F Mesh

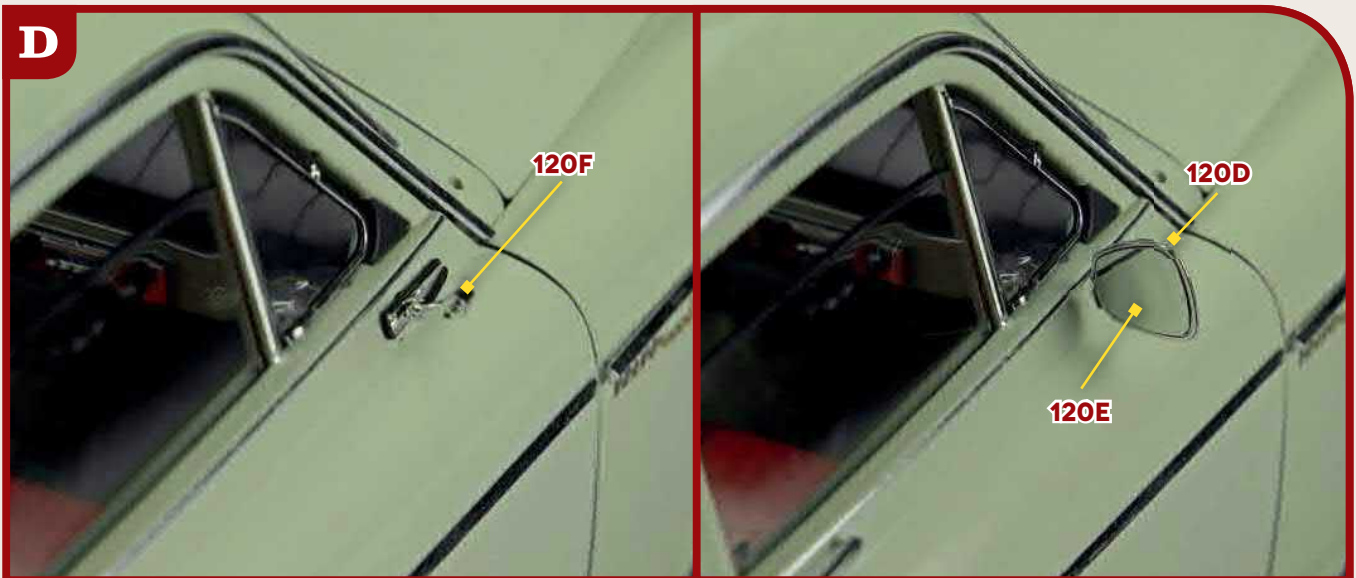
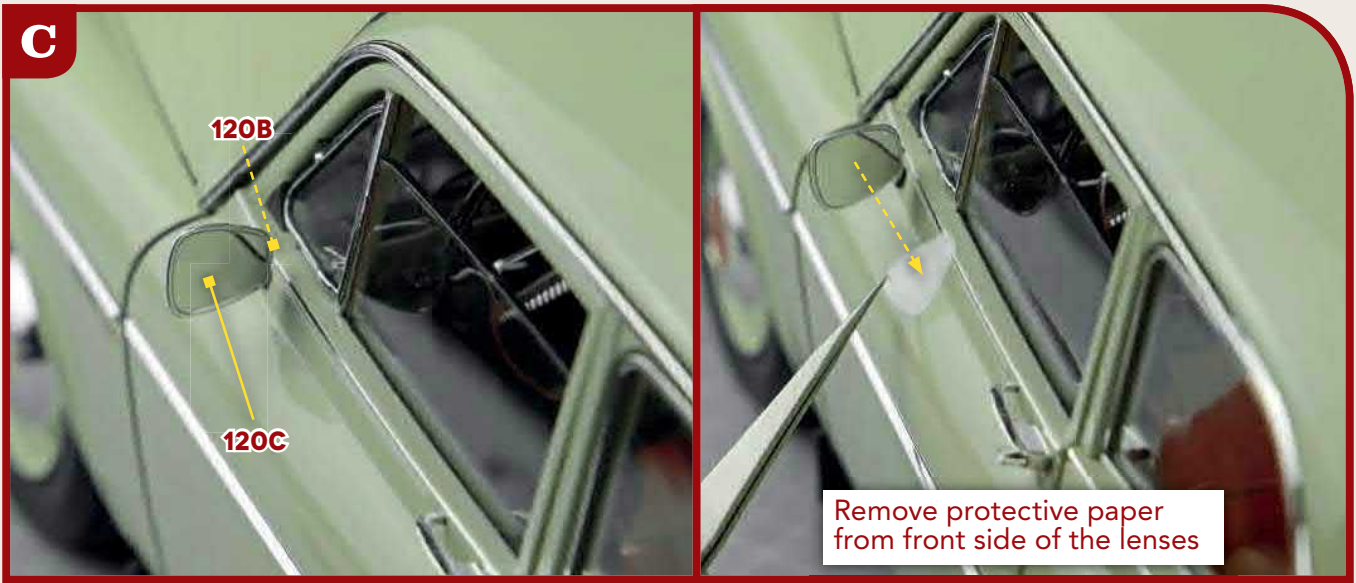


**120 PARTS LIST**



- |  |  |                           |
|--|--|---------------------------|
| <b>120A</b> Side mirror body 1 (L)                       | <b>120D</b> Side mirror body 2 (R)                       | <b>120G</b> Antenna mount |
| <b>120B</b> Side mirror brackets 1 (L)*<br>*one is spare | <b>120E</b> Side mirror lens 2 (R)                       | <b>120H</b> Antenna       |
| <b>120C</b> Side mirror lens 1 (L)                       | <b>120F</b> Side mirror brackets 2 (R)*<br>*one is spare | <b>120I</b> Antenna end   |

















# Kit details

**Your Volvo 122S full kit is broken down as follows:**

<b>PACK 1</b>	<b>#8, #11-12, #14-18, #20</b>
<b>PACK 2</b>	<b>#19, #21-25</b>
<b>PACK 3</b>	<b>#26-37</b>
<b>PACK 4</b>	<b>#38-48</b>
<b>PACK 5</b>	<b>#49-63</b>
<b>PACK 6</b>	<b>#64-77, #79-85</b>
<b>PACK 7</b>	<b>#86-87, #89-91, #93, #98</b>
<b>PACK 8</b>	<b>#92, #94-97, #99-105</b>
<b>PACK 9</b>	<b>#106-107, #109-110, #112-120</b>
<b>PACK 10</b>	<b>#88</b>
<b>PACK 11</b>	<b>#1, #3-7, #9-10, #13</b>
<b>PACK 12</b>	<b>#1, #2, #78, #108, #111</b>

