

BUILD THE

SUBARU IMPREZA

WRC 2003



1:8
SCALE

ixoCOLLECTIONS

BUILD THE

SUBARU IMPREZA

Guide to the instructions

This set of step-by-step instructions will enable you to complete the build of your **1:8-scale Subaru Impreza**. The only tool you will need is a screwdriver. Most of the steps involve simply screwing or fitting parts together, and the correct screws needed for each step are clearly labelled on the instructional images.

Please note the following:

- Where left and right elements of the same part are supplied, these are listed as (L) and (R).
- Close-up details of steps are framed in yellow.
- You will not be using every part you receive in your shipment in that build section. Keep any parts that are not used aside for use in a later sequence.
- You will receive extra screws with each shipment in case any screws are lost or broken.
- Screws with codes ending in the letter M drive into metal; those ending in the letter P drive into plastic.
- With M screws, first drive the screw in half-way. Then unscrew it to release the shavings created as the screw cuts its thread. Finally, drive the screw fully into the socket. M screws should be tightened so the head makes firm contact with the fixing surface.
- With P screws, do not over-tighten them as they can damage the socket.
- When working with the pre-finished exterior surfaces of the model, work on a soft cloth. This will protect against scratching the paintwork.
- When plugging wires in, ensure the power is switched off.
- Tweezers can be used to fit the PVC cables. In this case, grip carefully around 5mm from the end of the cable. If the end of the cable is too narrow to fit on to the pin, cautiously insert a cocktail stick, being wary not to split the cable.
- Some smaller plastic parts are attached to sprues. You can remove these by hand, or by careful use of a cutting implement such as a scalpel.



“SUBARU”, “IMPREZA”, all other associated marks, emblems and body designs are properties of SUBARU CORPORATION and used with permission.

© IXOCOLLECTIONS SAS

© IXOMODELS

Customer service: contact@ixo-collections.fr

Packaged by: Milanoedit srl, www.milanoedit.com

Model assembly: Enrico Del Prete

Photography credits: Alamy (pp.3-5)



SUBARU IMPREZA WRC 2003

Between 1993 and 2008 the Subaru Impreza competed in sixteen World Rally Championships, making its mark as one of the competition's most competitive race cars during that time. An Impreza finished top of the rostrum 47 times during that period, winning three constructor and three driver championships in the process. The constructor titles were won in 1995, 1996 and 1997, whilst the drivers who won the World Championship at the wheel of an Impreza were Colin McRae (1995), Richard Burns (2001) and Petter Solberg (2003).

Von 1993 bis 2008 hat der Subaru Impreza an insgesamt sechzehn Rallye-Weltmeisterschaften teilgenommen und sich dabei als eines der konkurrenzfähigsten Autos im Rennen durchsetzen können. 47 Mal konnte ein Impreza als Erster eine Ziellinie überqueren und hat dabei in drei Konstruktors- und drei Fahrer-Weltmeisterschaften gesiegt. Die Konstruktors-Meisterschaft wurde 1995, 1996 und 1997 gewonnen, Impreza-Weltmeister wurden Colin McRae (1995), Richard Burns (2001) und Petter Solberg (2003).

De 1993 à 2008, la Subaru Impreza a participé à seize championnats du monde de rallye, ce qui en fait l'une des voitures les plus compétitives de la course. Une Impreza a franchi la ligne d'arrivée en premier 47 fois, en remportant trois championnats du monde constructeurs et trois championnats du monde pilotes. Les championnats constructeurs ont été remportés en 1995, 1996 et 1997, tandis que les champions du monde d'Impreza étaient Colin McRae (1995), Richard Burns (2001) et Petter Solberg (2003).

The 2003 championship

The Norwegian Petter Solberg joined the Subaru World Rally Team in 2000 and he secured his first major result the following year when he finished second in the Acropolis Rally. His first victory came in 2002 at the Rally of Great Britain (the legendary RAC Rally), but it was the 2003 season that proved to be triumphant for the Norwegian driver. That year, the two Subaru drivers, Petter Solberg and Tommi Mäkinen, took on the fourteen championship trials at the wheel of the WRC 2003 version of the Impreza, featuring new headlights, numerous aerodynamic

Die Meisterschaft 2003

Der Norweger Petter Solberg wechselte im Jahr 2000 ins Subaru World Rally Team und erzielte bereits im darauffolgenden Jahr mit einem zweiten Platz bei der Akropolis-Rallye sein erstes wichtiges Ergebnis. Seinen ersten Sieg errang er 2002 bei der legendären RAC-Rallye in Großbritannien, aber erst die Saison 2003 wurde zum Triumph für den Norweger: In diesem Jahr bestritt Petter Solberg gemeinsam mit dem Subaru-Piloten Tommi Mäkinen die 14 Runden der WRC-Meisterschaft am Steuer der 2003er Version des Impreza, der mit neuen Scheinwerfern und einem steiferen Chassis

Le championnat 2003

Le Norvégien Petter Solberg a rejoint l'équipe Subaru World Rally Team en 2000, et l'année suivante, il a obtenu son premier résultat majeur en terminant deuxième du Rallye de l'Acropole. Sa première victoire remonte à 2002, lors du légendaire RAC Rally en Grande-Bretagne, mais c'est la saison 2003 qui s'est avérée être un triomphe pour le pilote norvégien. Cette année-là, les deux pilotes de Subaru, Petter Solberg et Tommi Mäkinen, ont affronté les quatorze manches du championnat au volant de la version WRC 2003 de l'Impreza, qui présentait de nouveaux phares avant, de





enhancements and a more rigid wheelbase.

The technical evolution of the engine is also well worth a mention, which had significantly greater torque compared to its predecessors.

After a very unspectacular start to the season, Solberg won both the Cyprus Rally and the Rally of Australia. As the season drew to a close, the Norwegian driver took first place in Corsica and also won the final trial in Great Britain, winning the World Championship by just one point.

Hard fought and ultimately well-deserved, this victory clearly demonstrated the superiority of the Impreza over its rivals and crowned an incredible career in competition rallying.

ausgestattet war sowie zahlreiche aerodynamische Verbesserungen aufwies. Die technische Weiterentwicklung des Motors – mit einer großen Drehmoment-Steigerung im Vergleich zu den vorherigen Versionen – war ebenfalls bemerkenswert.

Nach einem nicht besonders brillanten Saisonstart gewann Solberg die Rallye Zypern und die Rallye Australien. Am Ende der Saison wurde der Norweger Erster auf Korsika, gewann die letzte Runde in Großbritannien und wurde mit nur einem Punkt Vorsprung Weltmeister.

Dieser ebenso hart erkämpfte, wie verdiente Sieg bewies nicht nur die Überlegenheit des Impreza gegenüber seinen Konkurrenten, sondern krönte auch eine bemerkenswerte Karriere im Rallyesport.

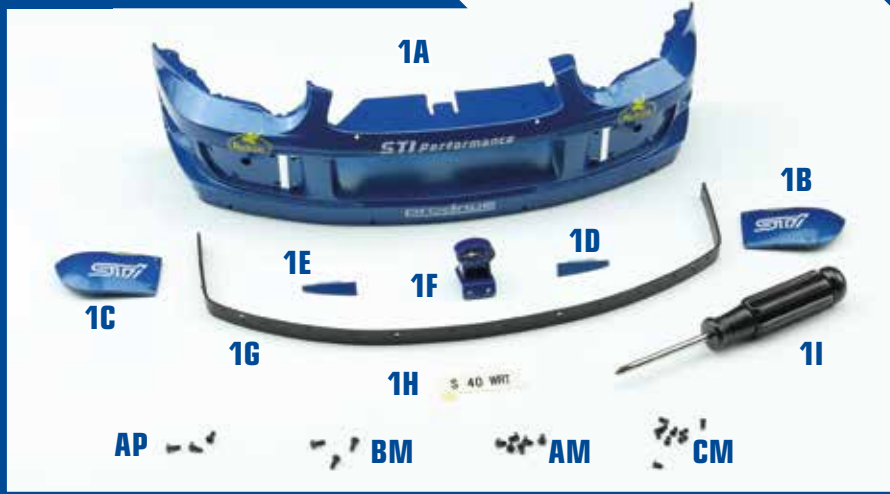
nombreuses améliorations aérodynamiques et un châssis plus rigide. L'évolution technique du moteur a également été remarquable, avec une forte augmentation du couple par rapport aux versions précédentes. Après un début de saison en demi-teinte, Solberg a remporté les rallyes de Chypre et d'Australie. Lors de la finale de saison, le pilote norvégien a pris la première place en Corse et a également remporté la dernière manche en Grande-Bretagne pour devenir champion du monde avec un seul point d'avance. Aussi âprement disputée qu'elle était méritée, cette victoire a prouvé la supériorité de l'Impreza sur ses concurrents et a couronné une carrière remarquable dans les courses de rallye.

Key specs

Engine location	Front longitudinal
Turbo	Yes
Cylinders	4 flat (boxer)
Valves	16
Cubic capacity	1994 cc
Bore x stroke	92 x 75 mm
Compression ratio	9:1
Fuel injection	Electric injection
Power	300 hp at 5,500 rpm
Torque	588 Nm at 4,000 rpm
Front and rear suspensions	MacPherson
Steering system	Rack-and-pinion, with power-steering
Brakes	Alcon/Prodrive, ventilated disk
Drive	4WD
Gearbox	Longitudinal
Gears	6
Sequential	Yes
Clutch plates	2
Traction	All-wheel drive
Length	4,415 mm
Width	1,770 mm
Height	1,390 mm
Wheelbase	2,535 mm
Weight	1,230 kg

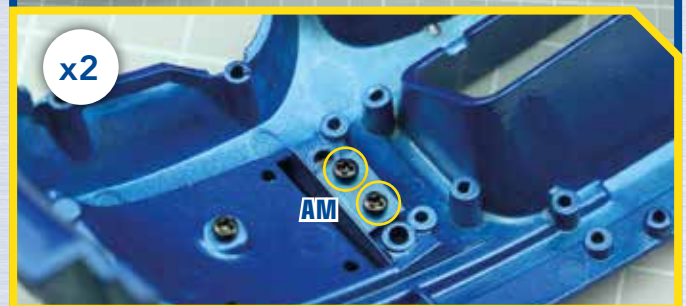
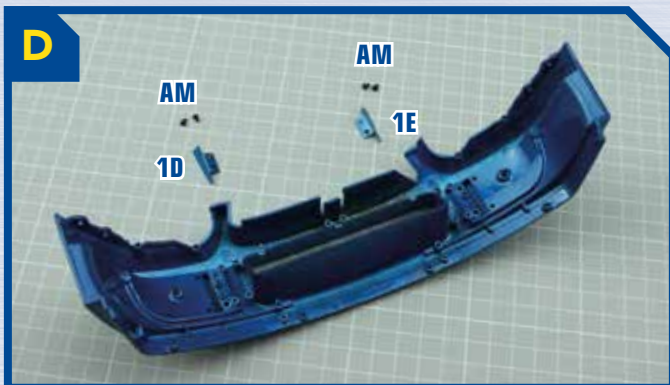
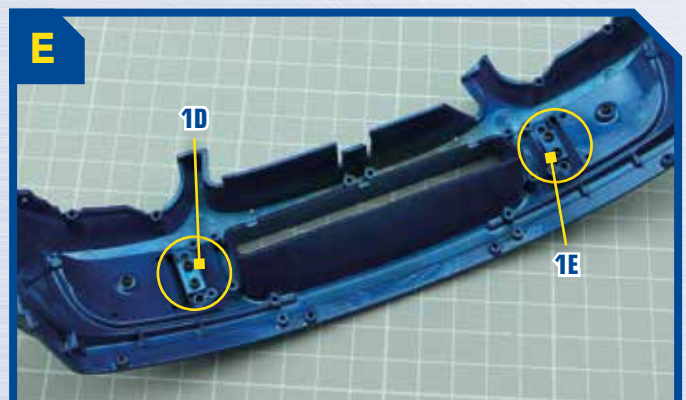
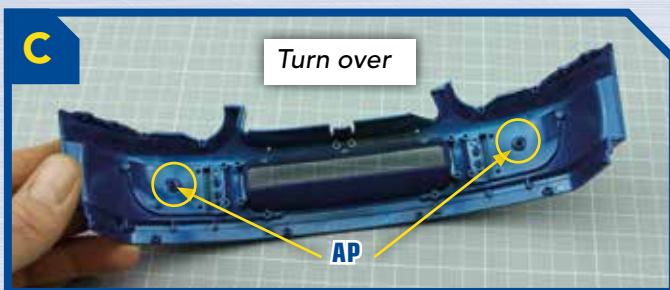
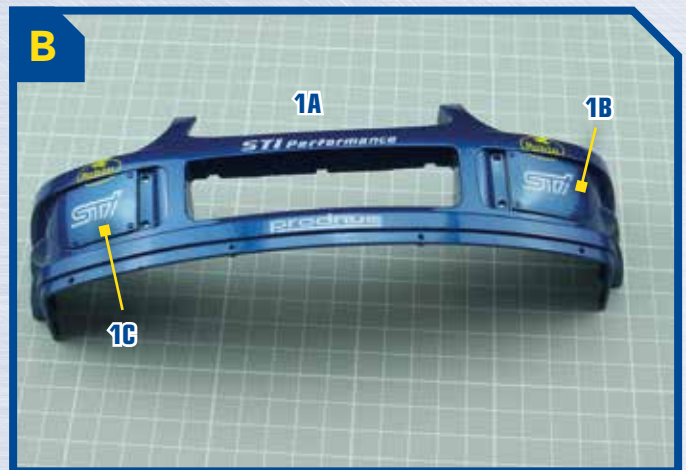
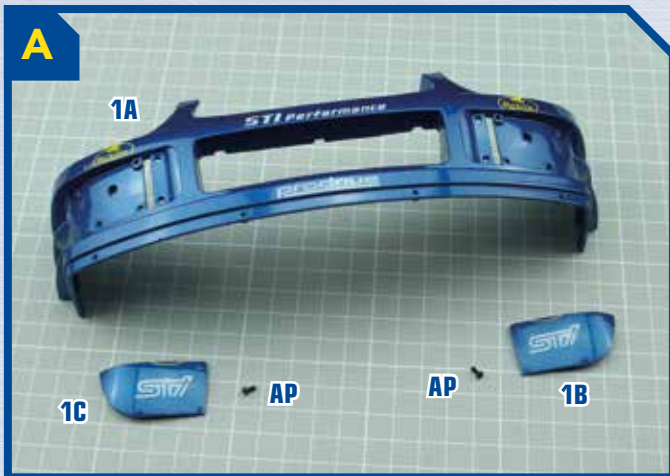


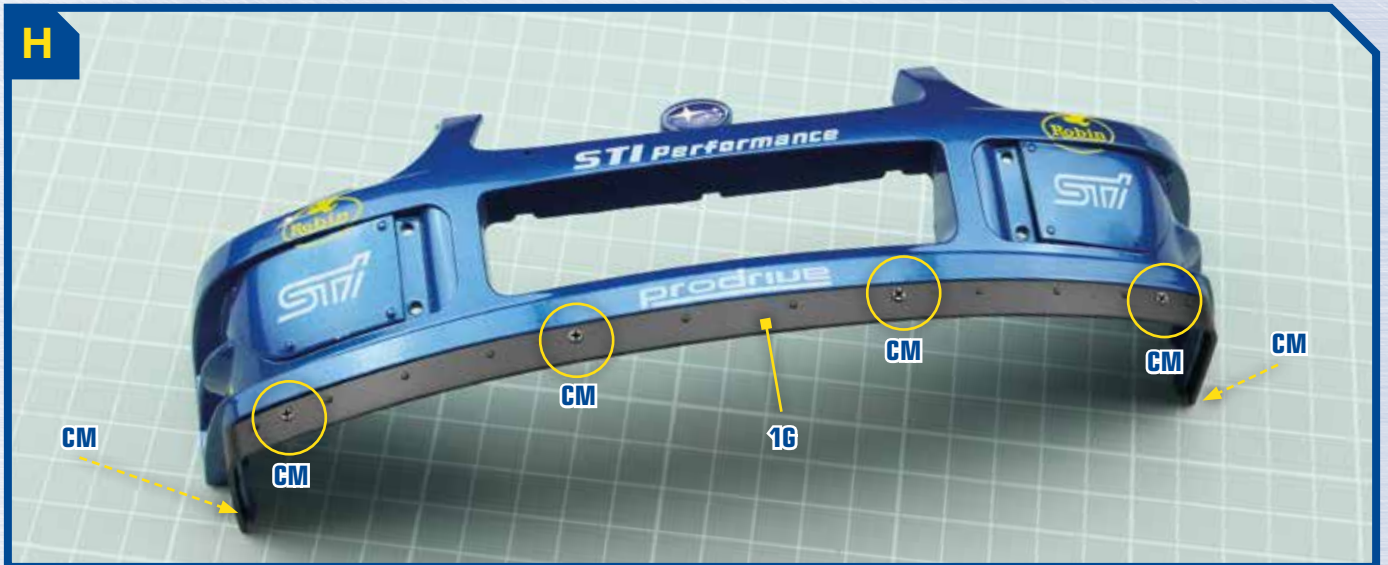
01 PARTS LIST



- 1A** Front bumper
- 1B** Fog light cover (L)
- 1C** Fog light cover (R)
- 1D** Bracket (L)
- 1E** Bracket (R)
- 1F** Emblem
- 1G** Lower band
- 1H** Sticker
- 1I** Screwdriver

- AP** 3 screws (1.7x4mm)
- BM** 3 screws (1.7x4mm)
- AM** 6 screws (1.7x2.5mm)
- CM** 9 screws (1.7x3.5x2.5mm)

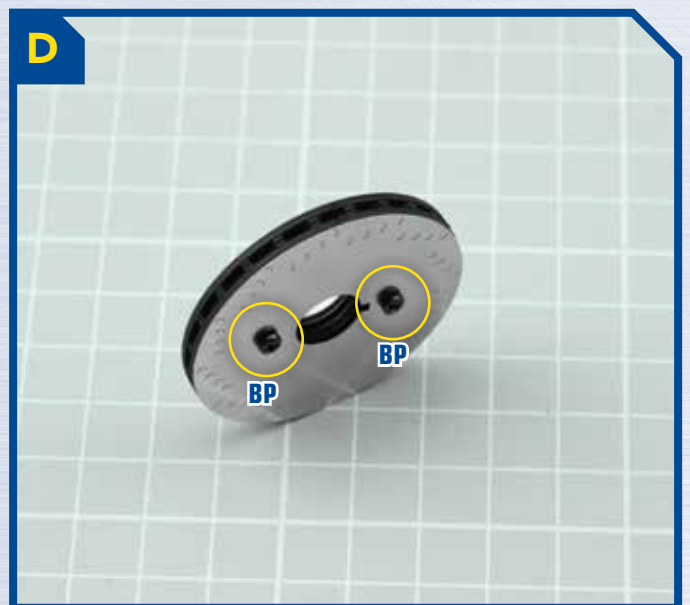
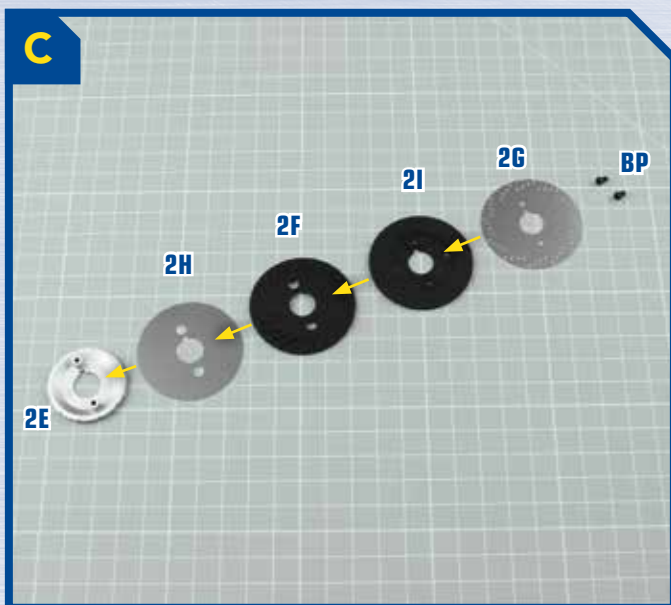
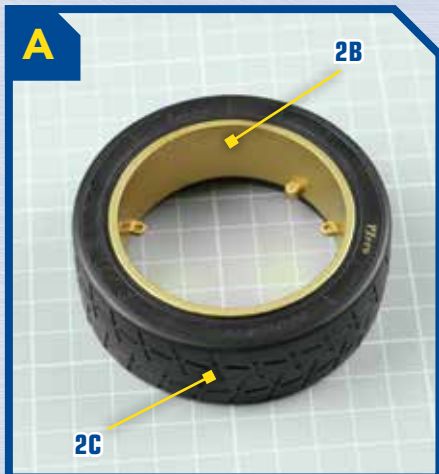




02 PARTS LIST

- 2A** Spokes
- 2B** Rim
- 2C** Tire
- 2D** Hub
- 2E** Disc part A
- 2F** Disc part B
- 2G** Disc part C
- 2H** Disc part D
- 2I** Disc part E

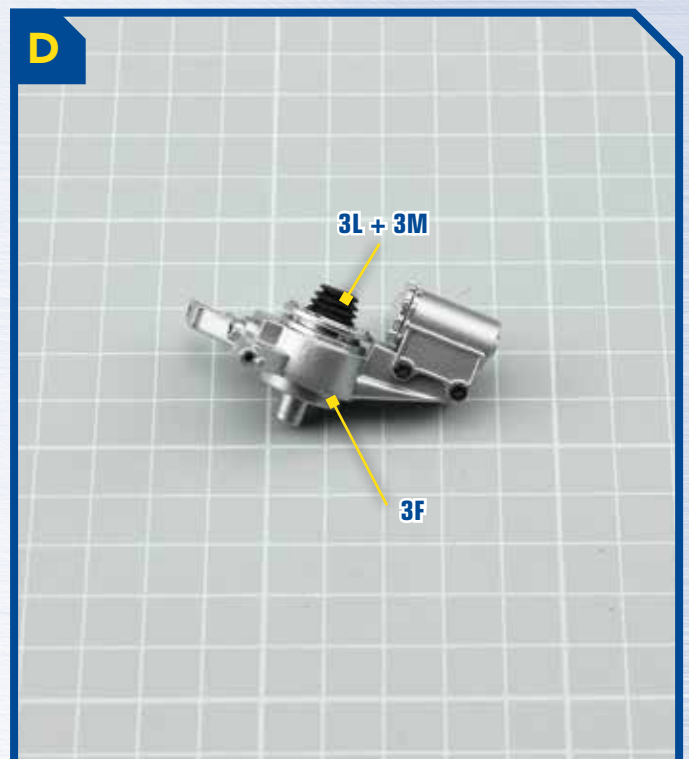
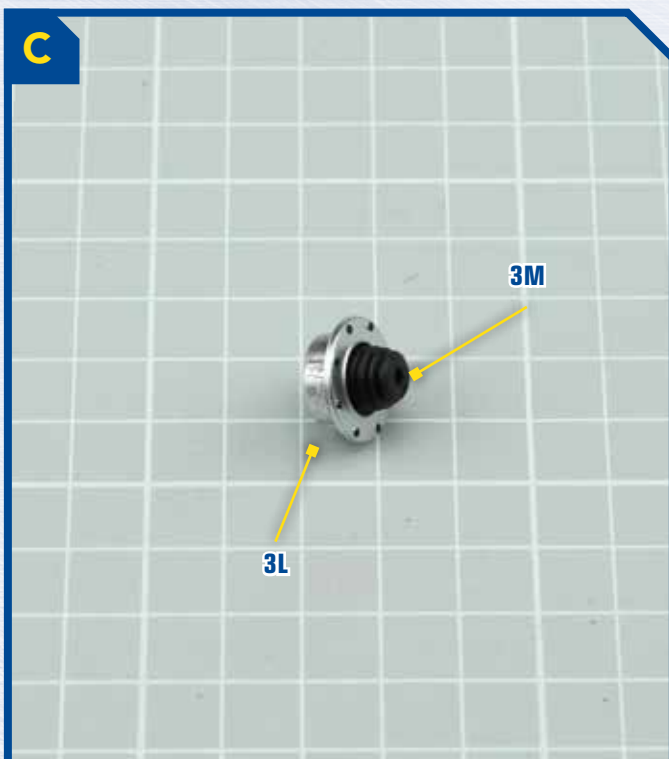
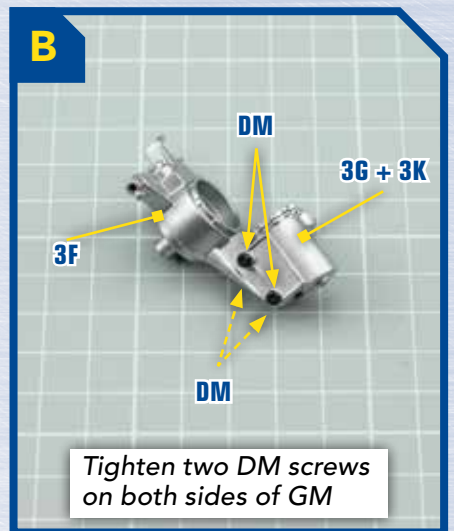
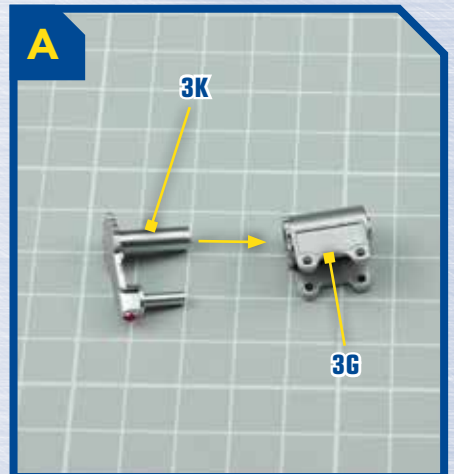
- BP** 3 screws (2.3x4mm)
- DM** 4 screws (1.7x3mm)

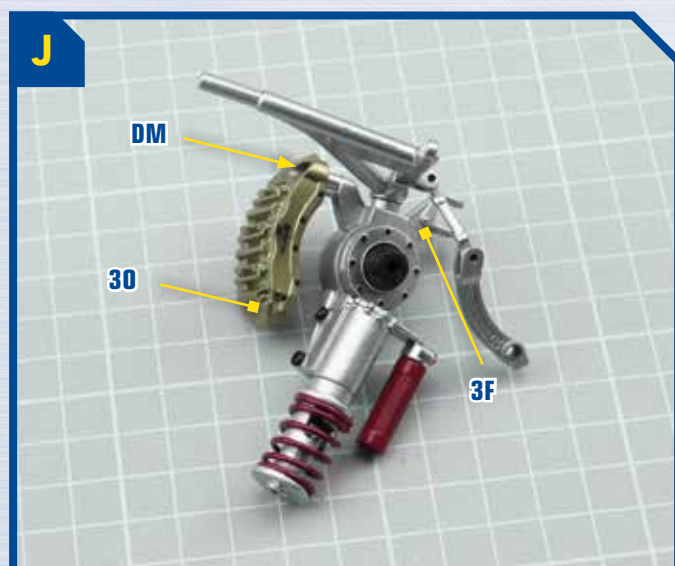
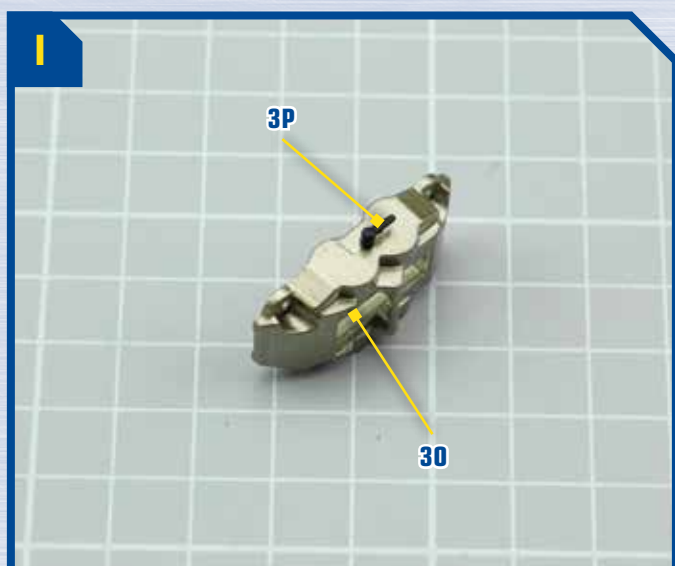
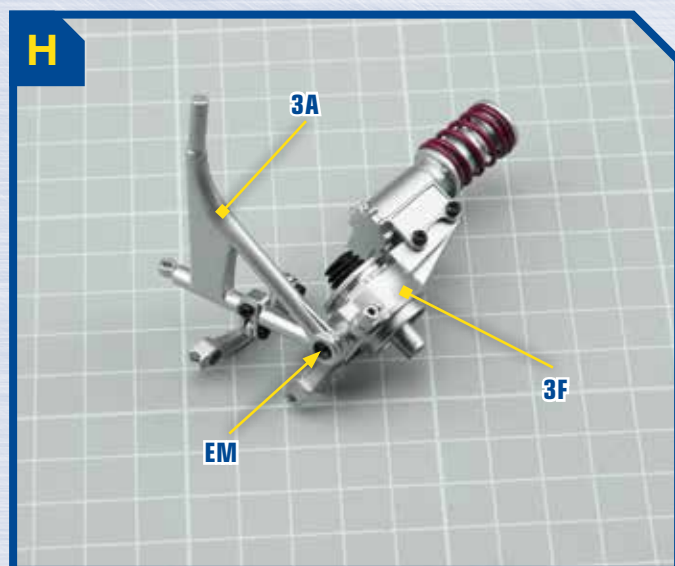
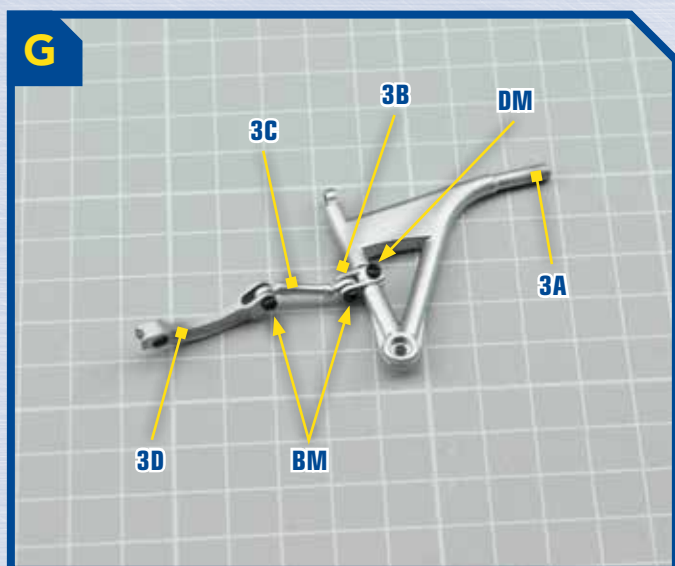
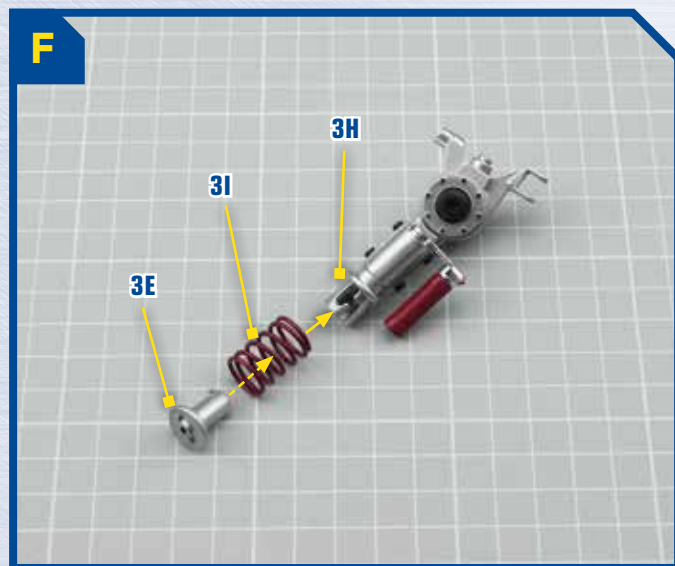
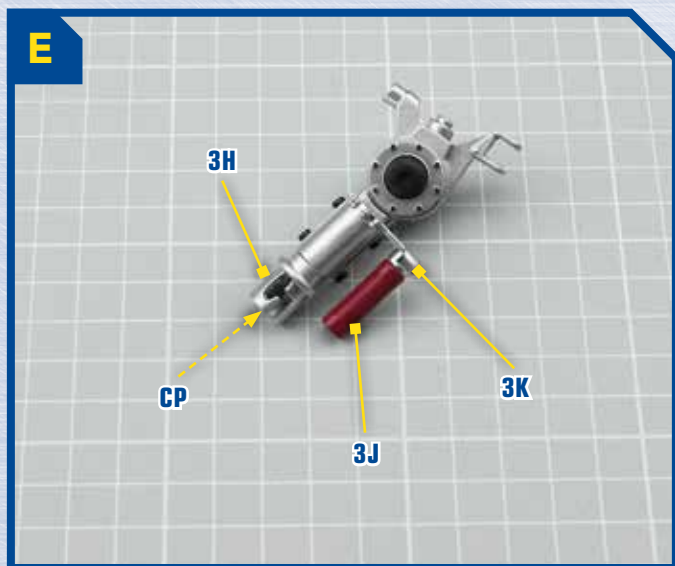


03 PARTS LIST



- | | |
|---------------------------|--------------------------------|
| 3A Arm part A | 3L Joint housing |
| 3B Hook | 3M Joint |
| 3C Arm part B | 3N Ring |
| 3D Arm part C | 3O Brake caliper |
| 3E Slewing ring | 3P Brake caliper detail |
| 3F Suspension body | BM 3 screws (1.7x4mm) |
| 3G Support | CP 2 screws (2.3x7mm) |
| 3H Base | DM 8 screws (1.7x3mm) |
| 3I Spring | EM 2 screws (2x5mm) |
| 3J Shock absorber | |
| 3K Bracket | |



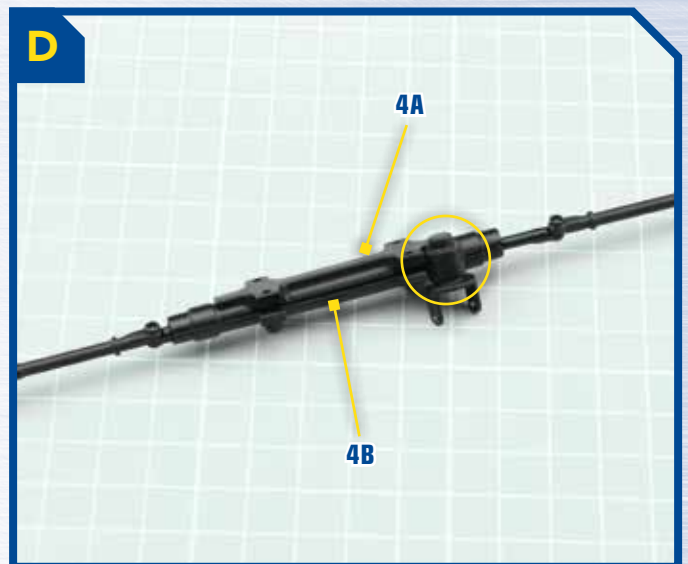
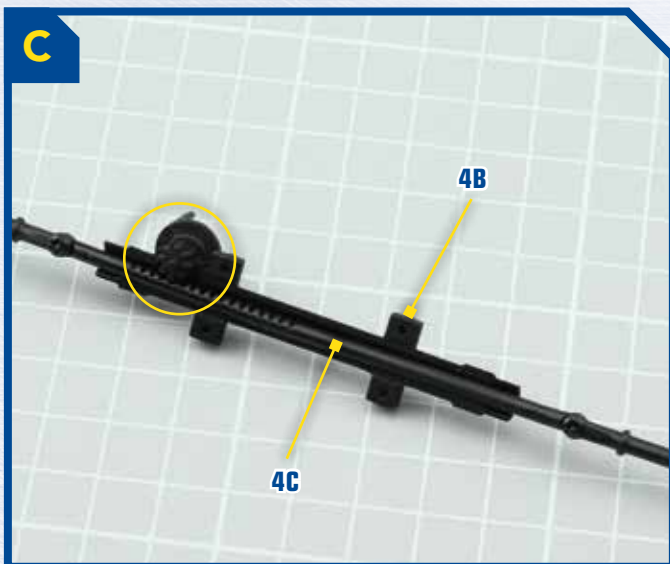
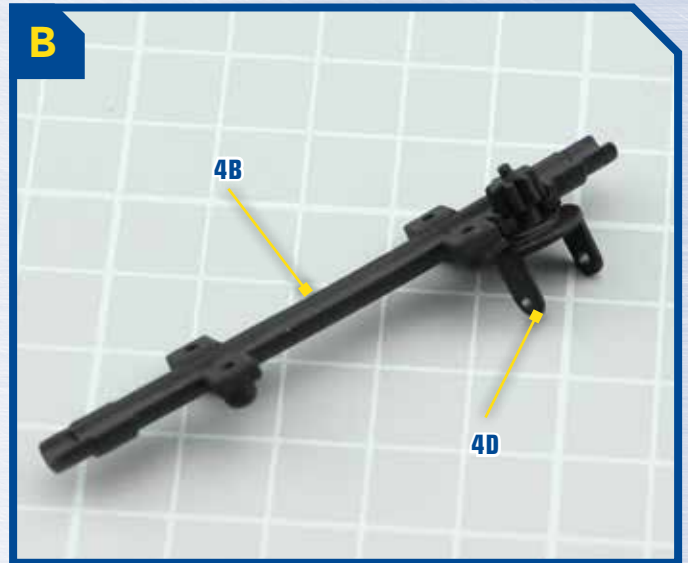
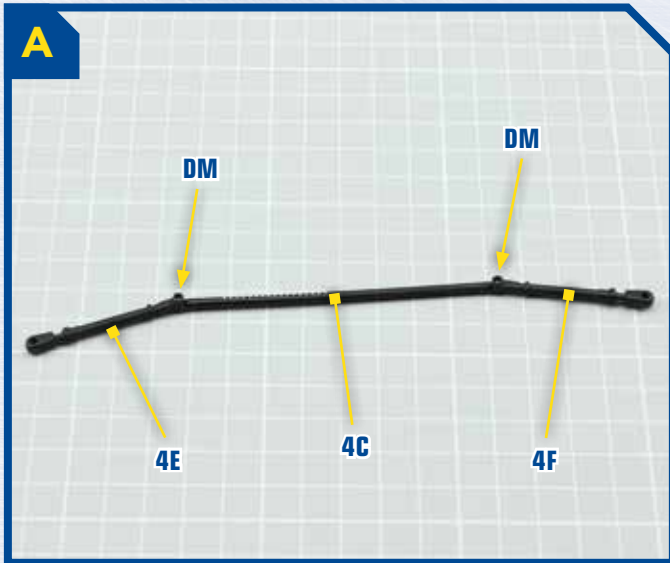


04 PARTS LIST



- 4A** Axle part A
- 4B** Axle part B
- 4C** Rack
- 4D** Pinion
- 4E** Tie-rod A
- 4F** Tie-rod B

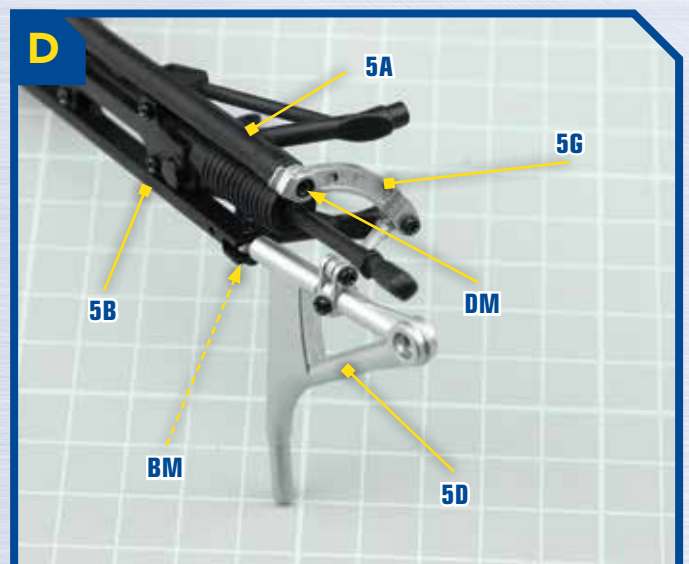
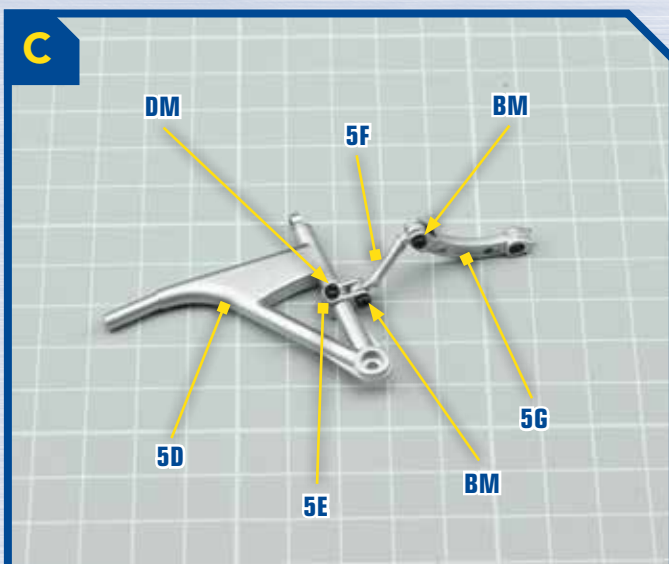
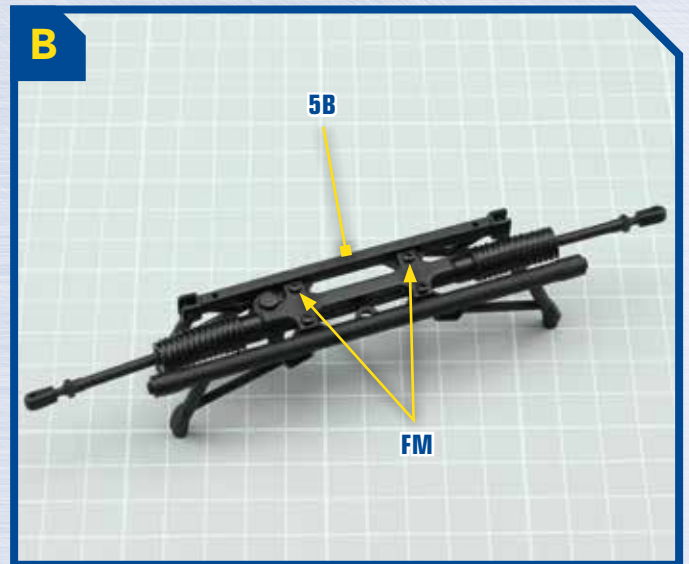
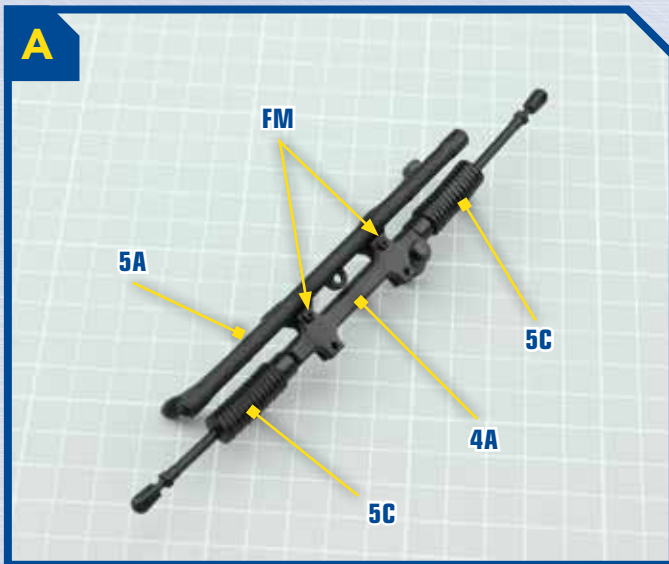
- DM** 3 screws (1.7x3mm)

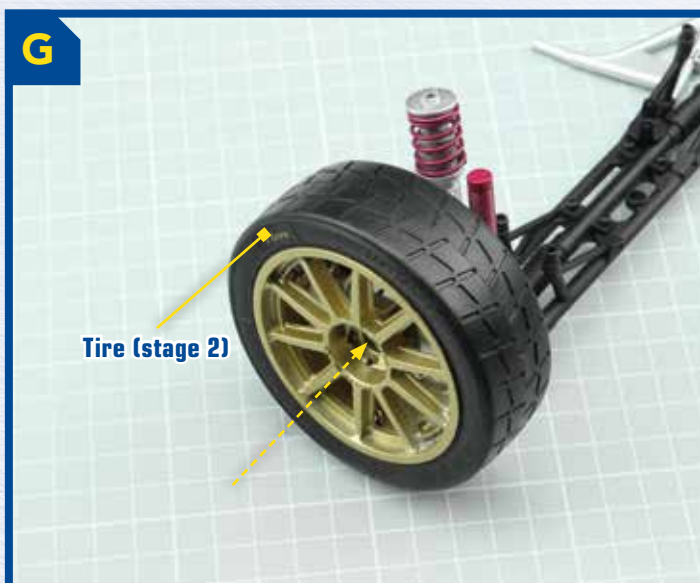
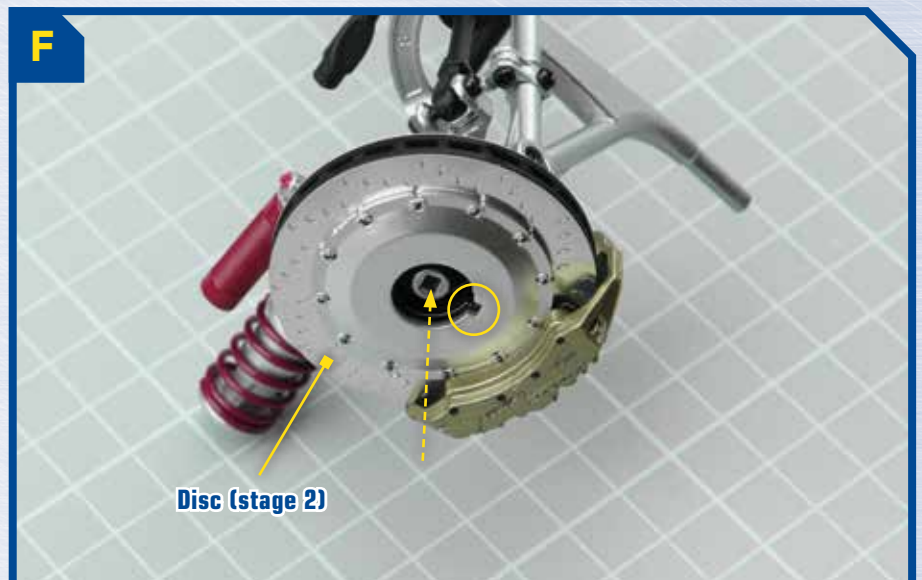
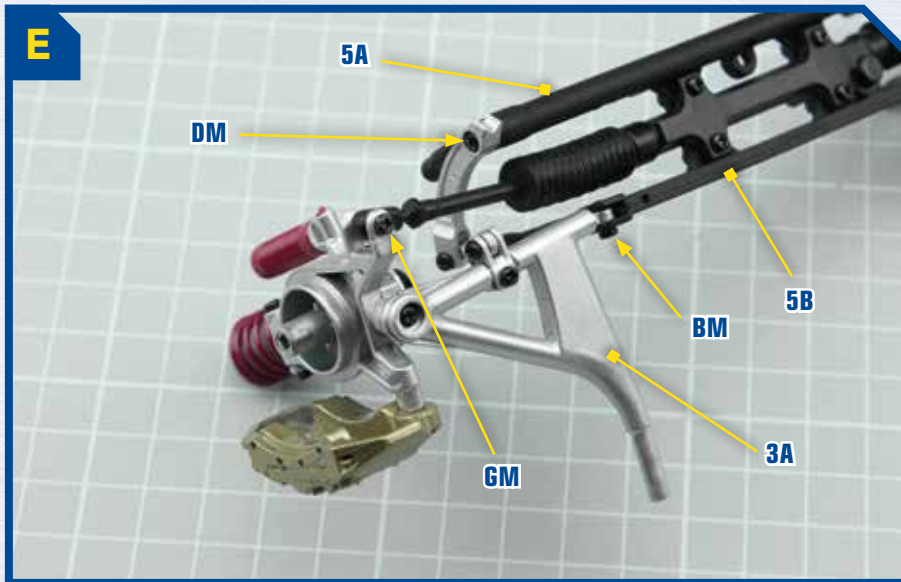


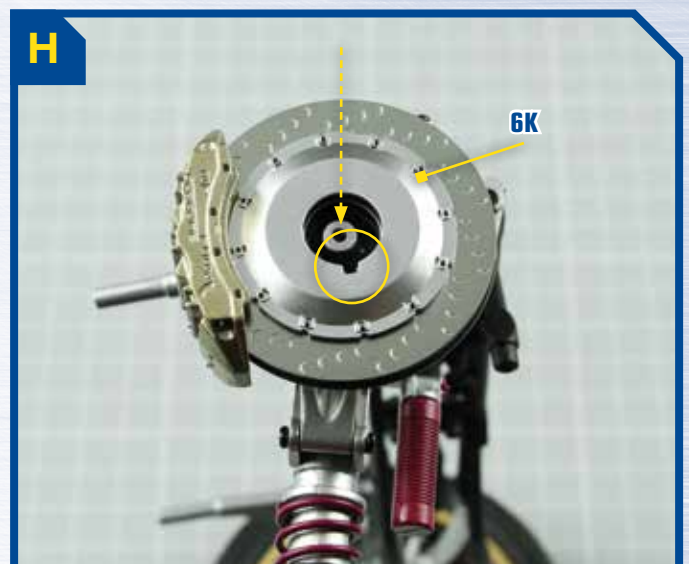
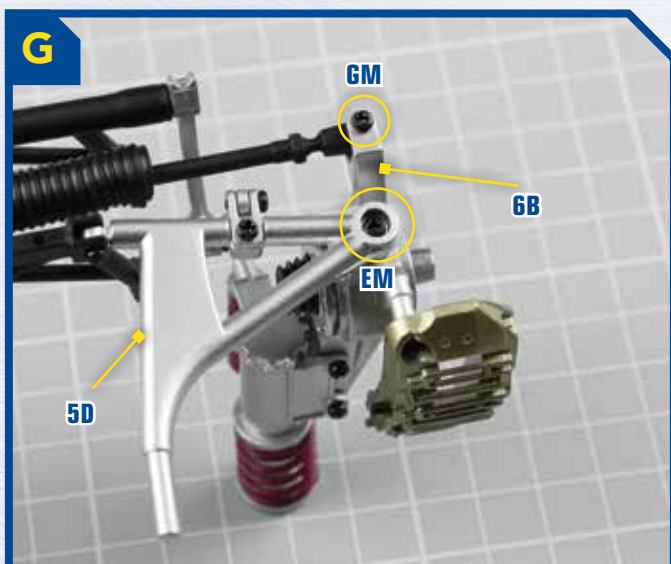
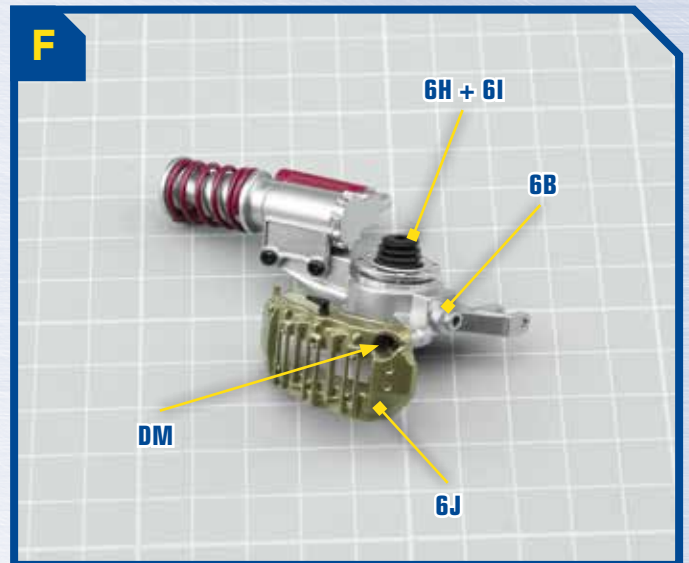
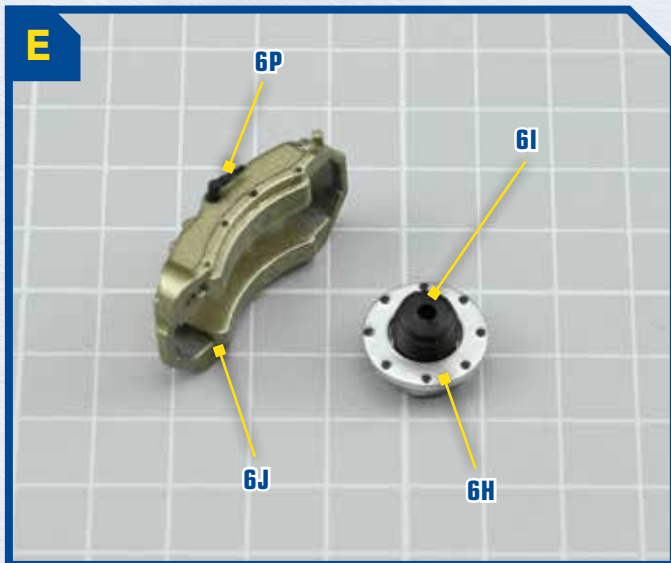
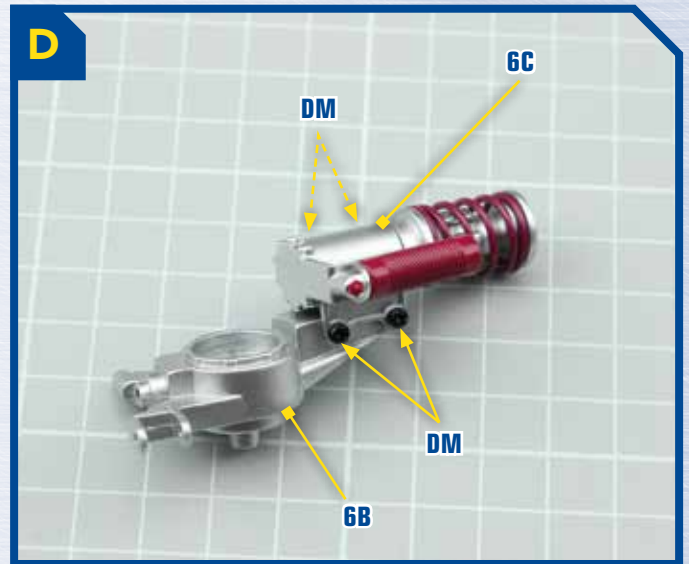
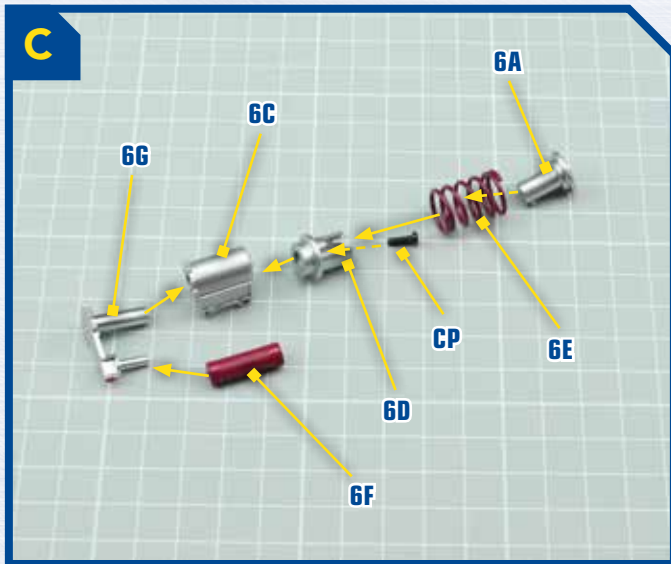
05 PARTS LIST

- 5A** Crossbar A
- 5B** Crossbar B
- 5C** Covers (x2)
- 5D** Arm part A
- 5E** Hook
- 5F** Arm part B
- 5G** Arm part C

- BM** 6 screws (1.7x4mm)
- DM** 4 screws (1.7x3mm)
- FM** 6 screws (1.7x6mm)
- GM** 2 screws (2x8mm)
- HM** 2 screws (2.3x5mm)



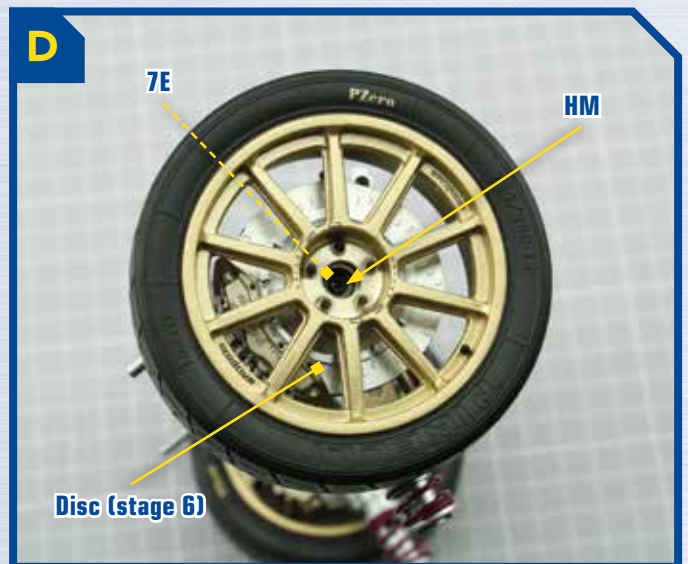




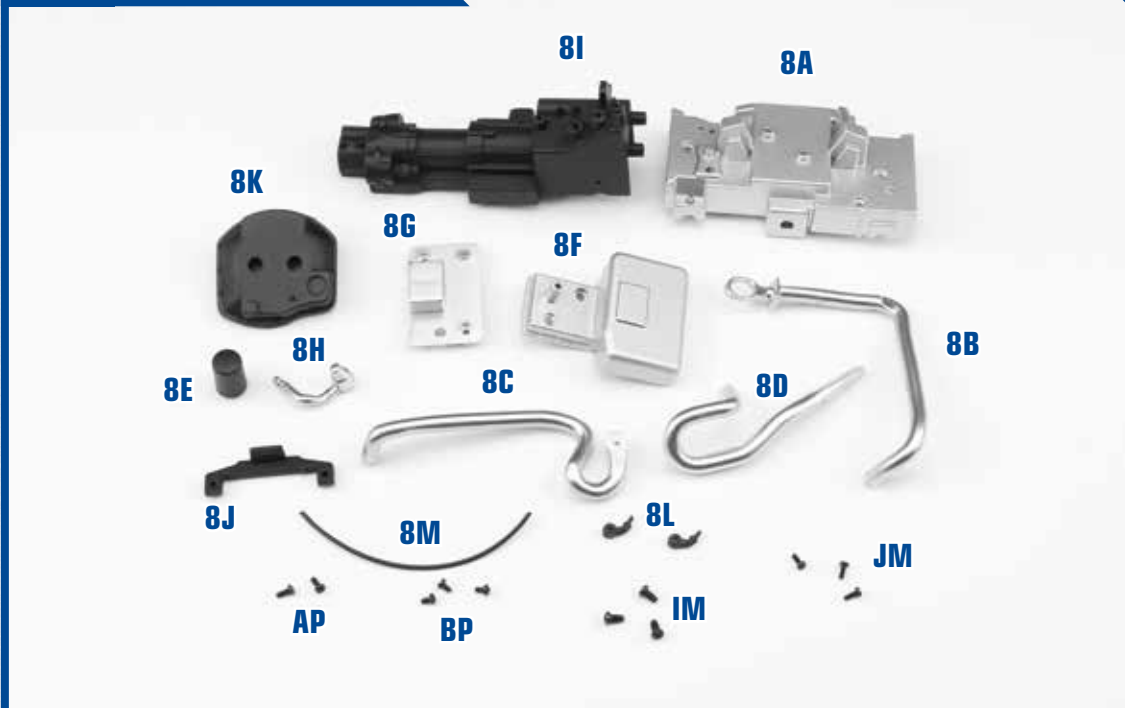
07 PARTS LIST

- 7A** Spokes
- 7B** Rim
- 7C** Tire
- 7D** Hub
- 7E** Ring

- DM** 5 screws (1.7x3mm)
- HM** 2 screws (2.3x5mm)

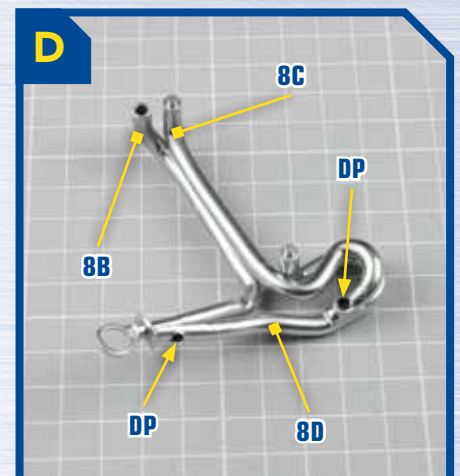
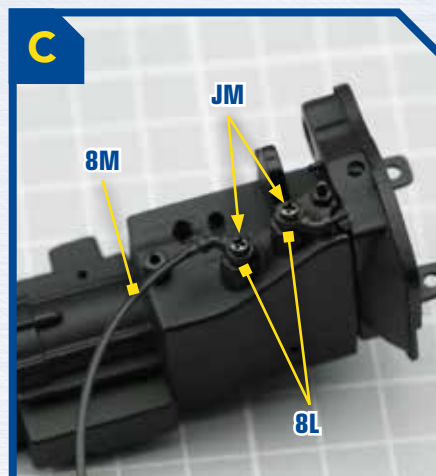
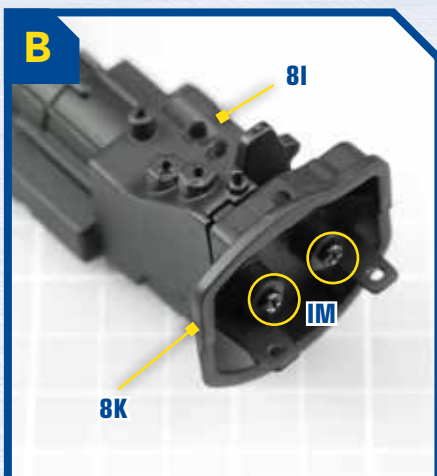
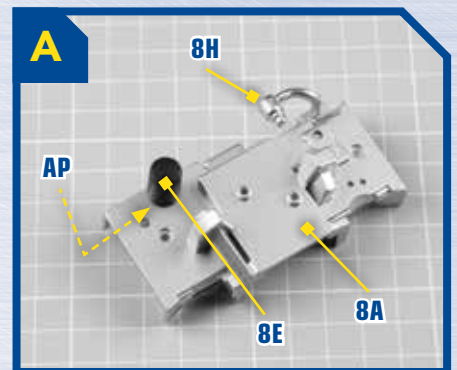


08 PARTS LIST

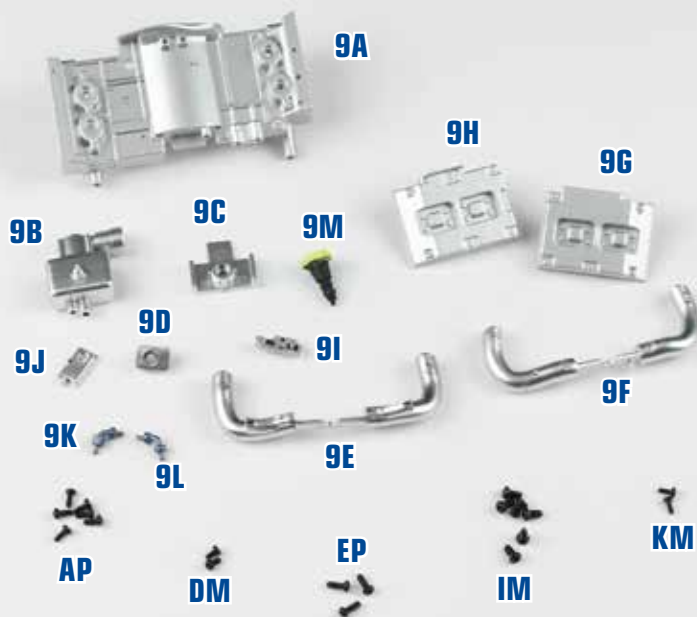


- 8A** Engine bottom
- 8B** Manifold 1
- 8C** Manifold 2
- 8D** Manifold 3
- 8E** Oil filter
- 8F** Oil pan
- 8G** Engine detail
- 8H** Tube
- 8I** Gearbox upper part
- 8J** Gearbox detail

- 8K** Clutch casing
- 8L** Valves (x2)
- 8M** Flexible tube
- AP** 2 screws (1.7x4mm)
- DP** 3 screws (1.7x3mm)
- IM** 3 screws (2.3x4mm)
- JM** 3 screws (1.5x4mm)

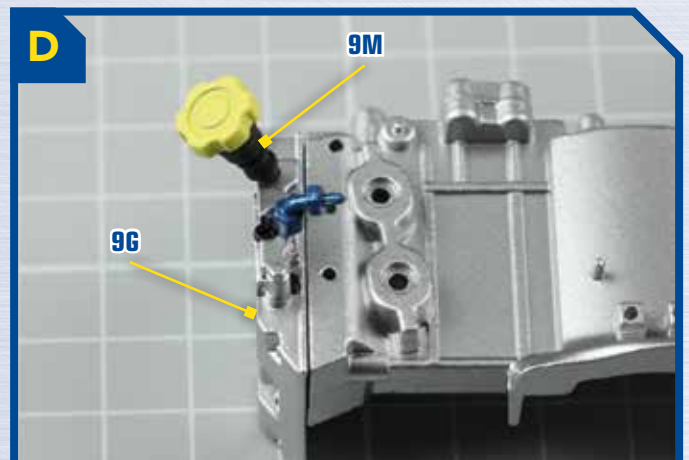
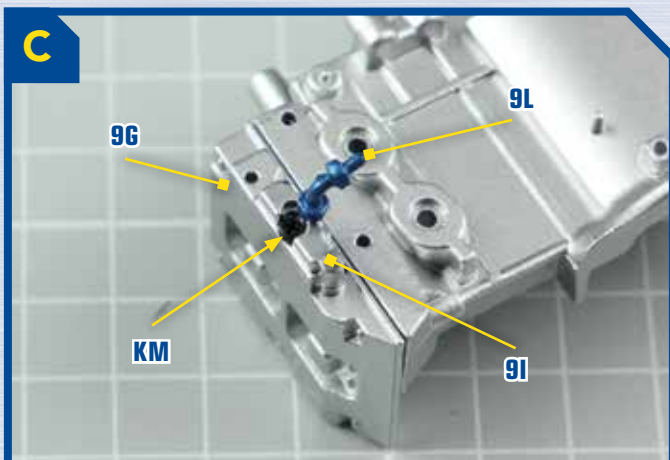
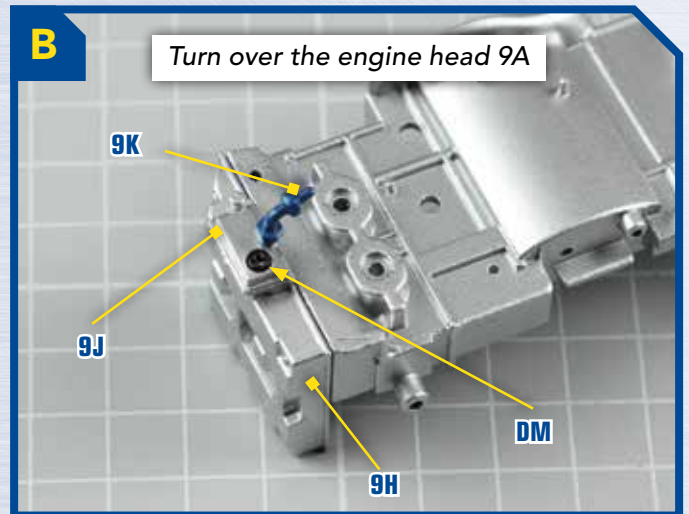
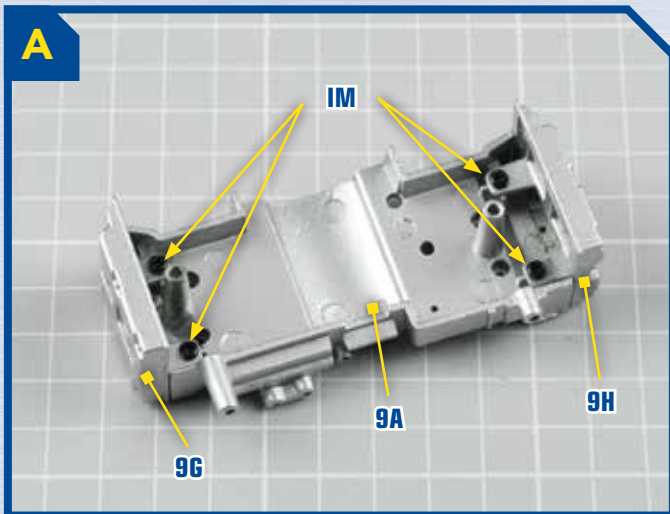


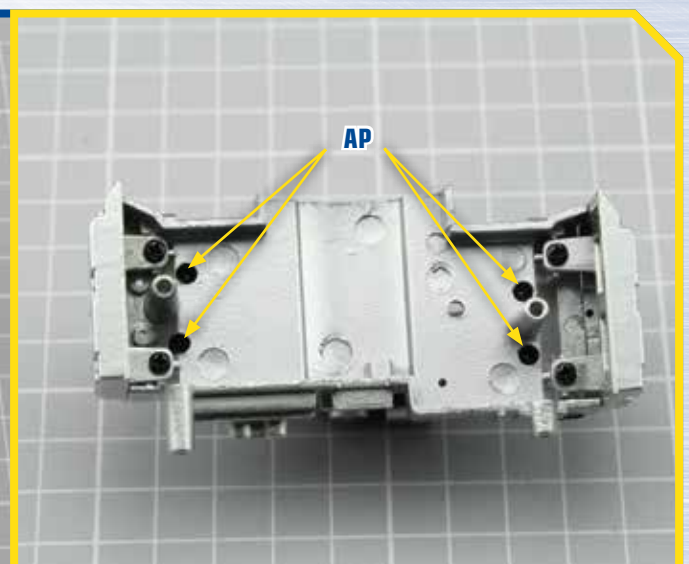
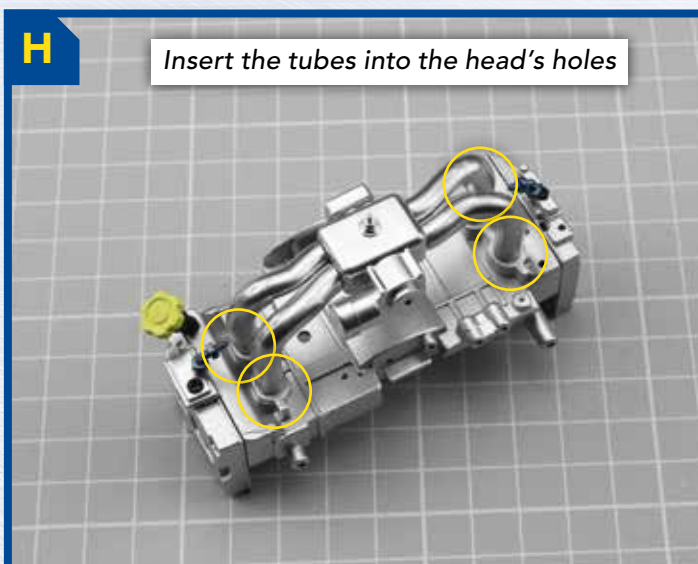
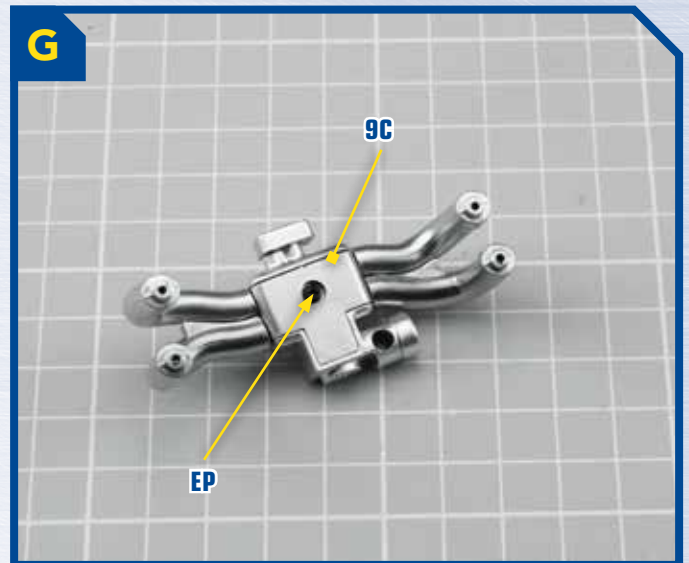
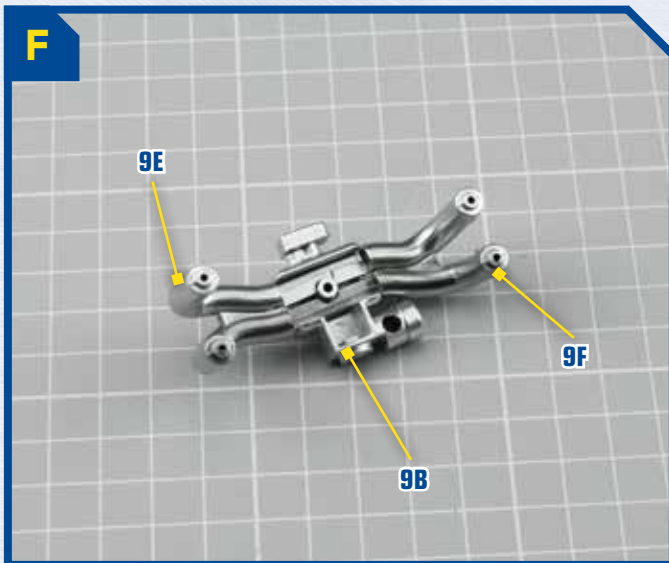
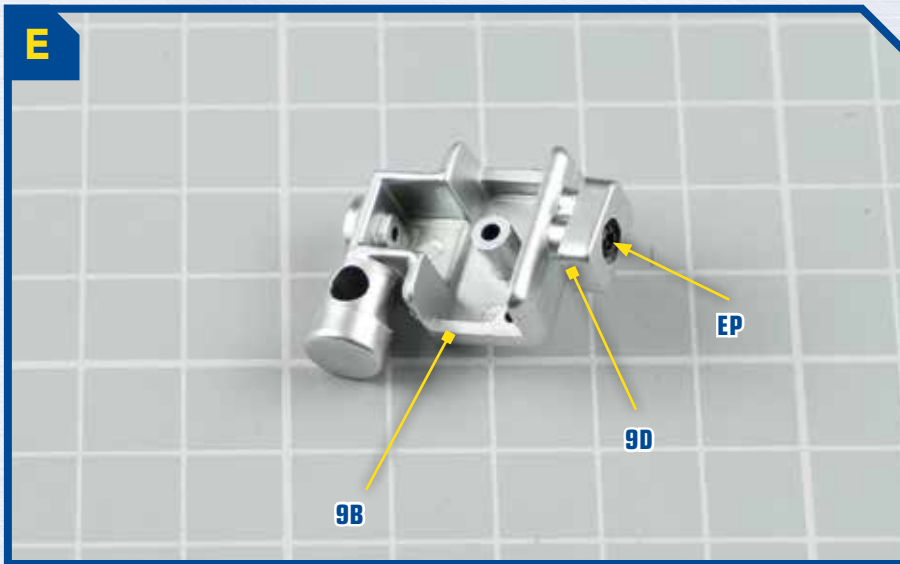
09 PARTS LIST



- 9A** Engine head
- 9B** Body
- 9C** Body detail 1
- 9D** Body detail 2
- 9E** Tube 1
- 9F** Tube 2
- 9G** Head wall 1
- 9H** Head wall 2
- 9I** Head detail 1
- 9J** Head detail 2
- 9K** Valve 1
- 9L** Valve 2
- 9M** Oil pipe connection

- AP** 6 screws (1.7x4mm)
- EP** 3 screws (2x5mm)
- DM** 2 screws (1.7x3mm)
- IM** 6 screws (2.3x4mm)
- KM** 2 screws (1.5x3mm)

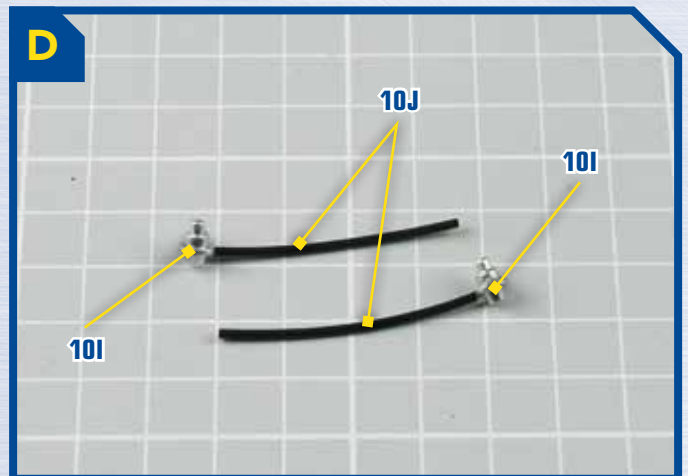
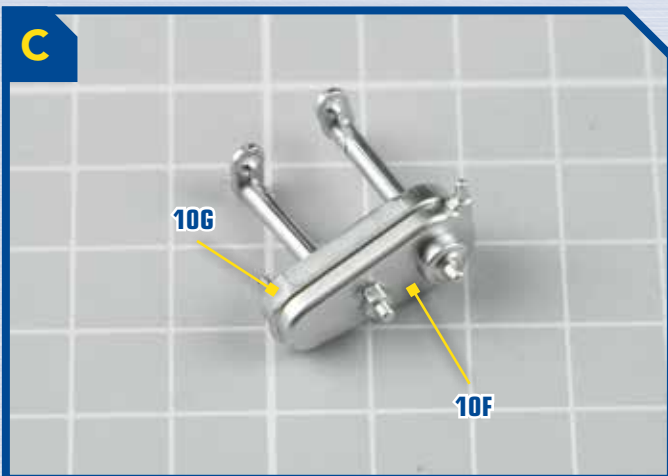
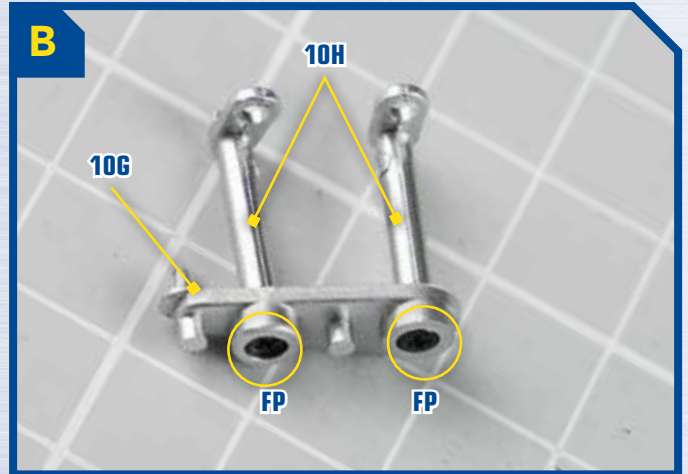
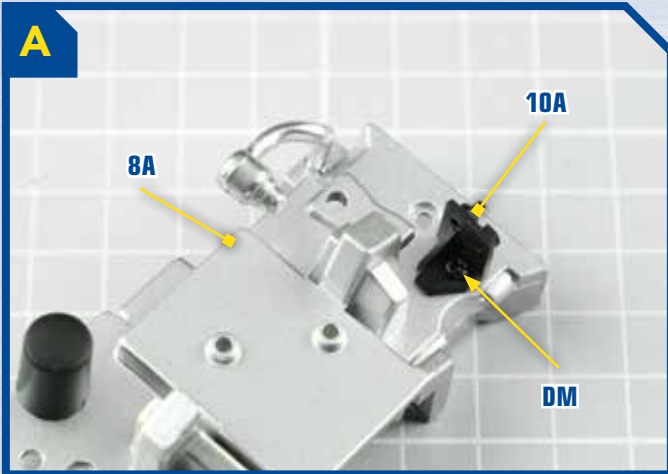
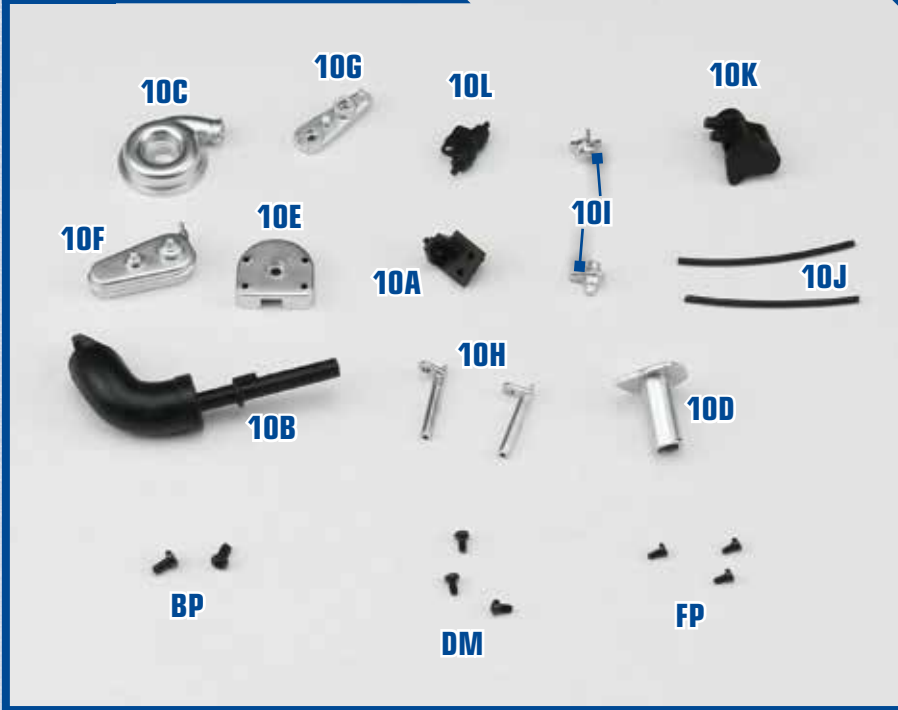




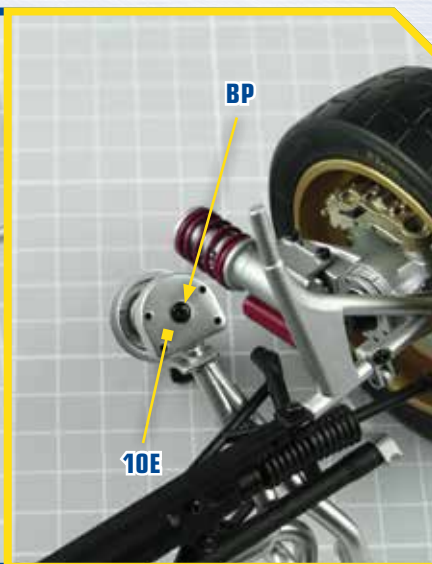
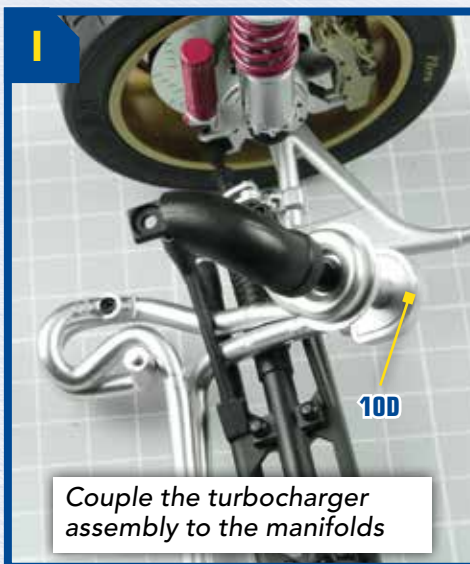
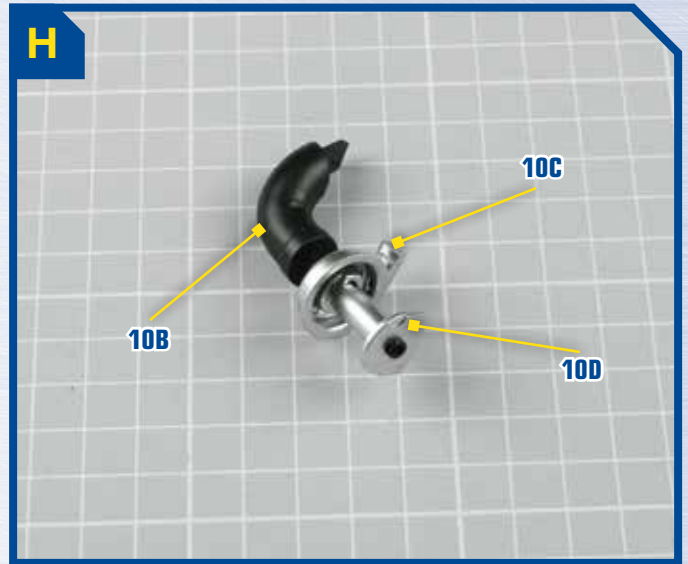
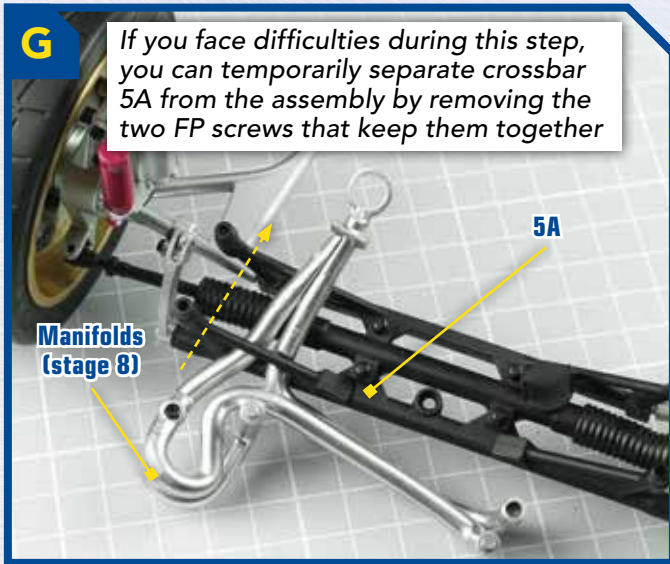
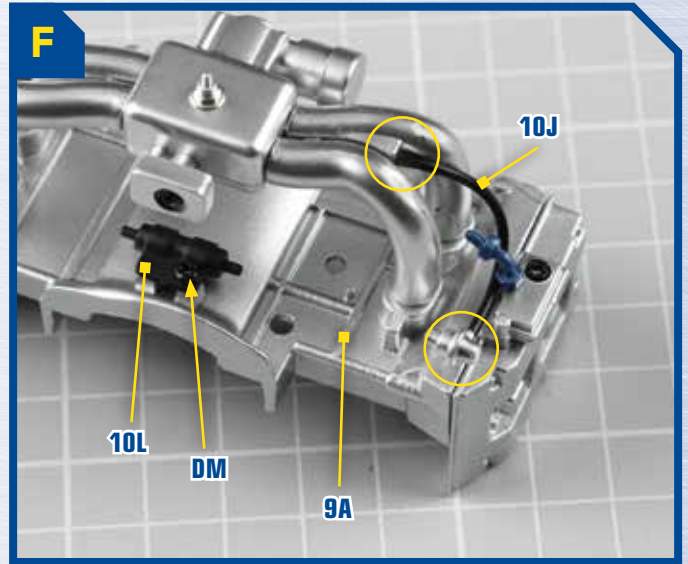
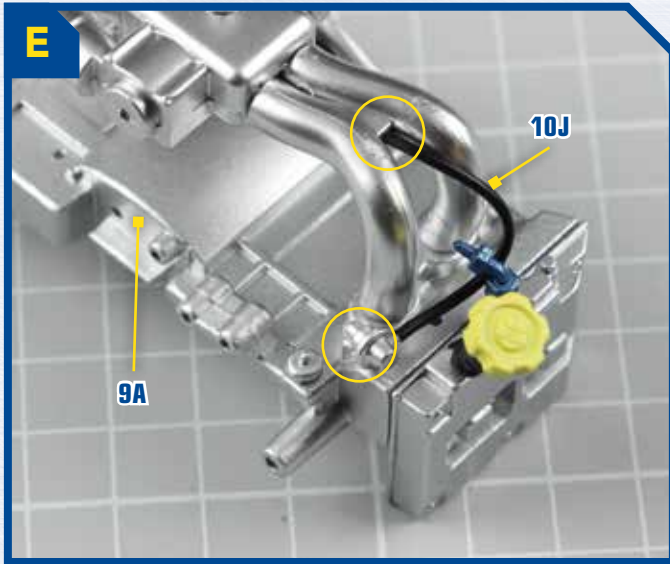
10 PARTS LIST

- 10A** Engine detail
- 10B** Turbocharger pipe
- 10C** Turbine
- 10D** Turbocharger rod
- 10E** Turbocharger support
- 10F** Coolant tank cover
- 10G** Coolant tank base
- 10H** Coolant tank pipes (x2)
- 10I** Valves (x2)
- 10J** Oil tubes (x2)
- 10K** Starter
- 10L** Head detail

- BP** 2 screws (2.3x4mm)
- FP** 3 screws (1.5x3mm)
- DM** 3 screws (1.7x3mm)



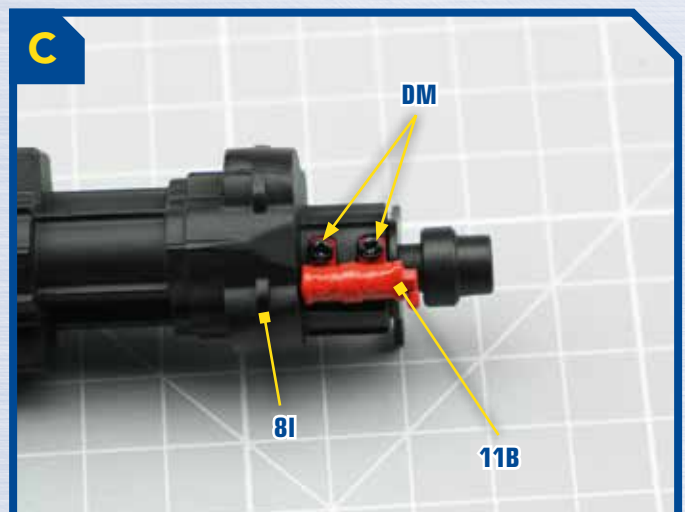
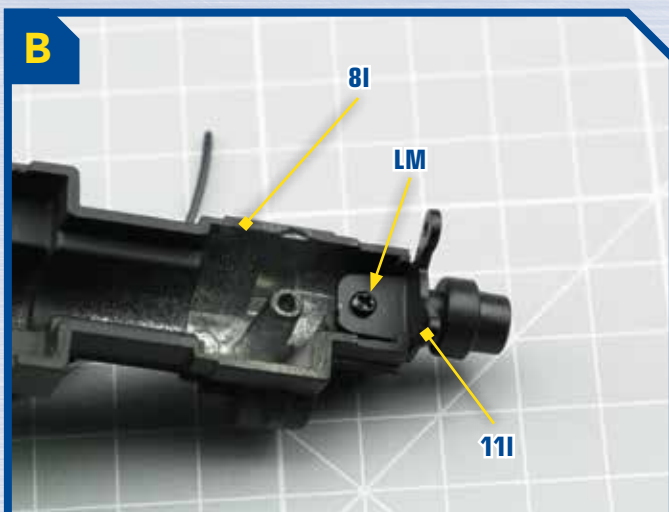
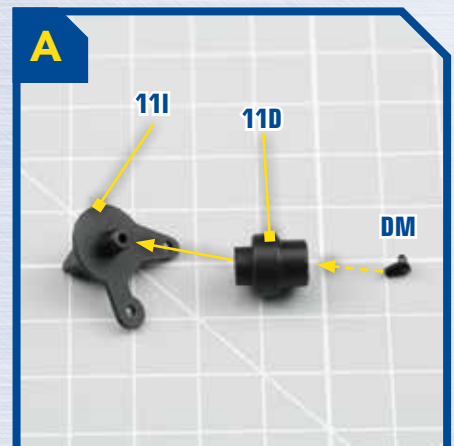
Step *by* step #10



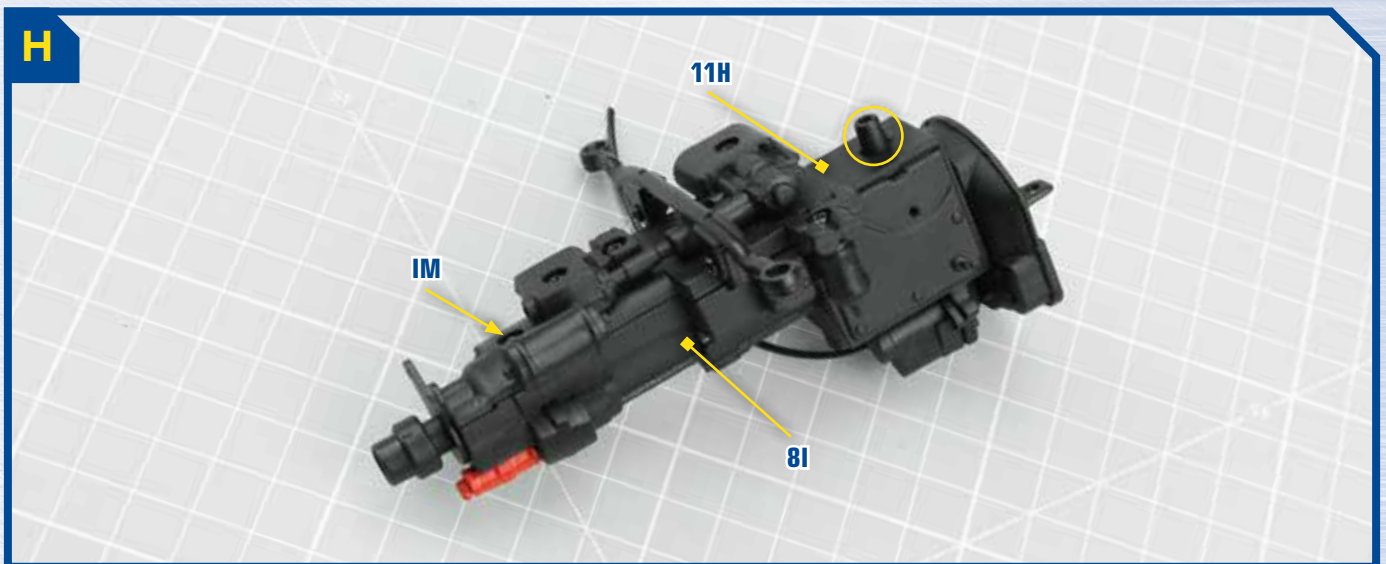
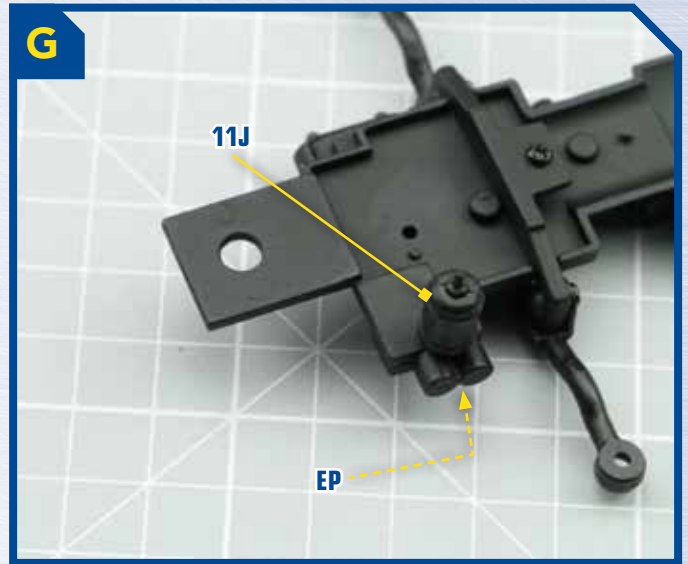
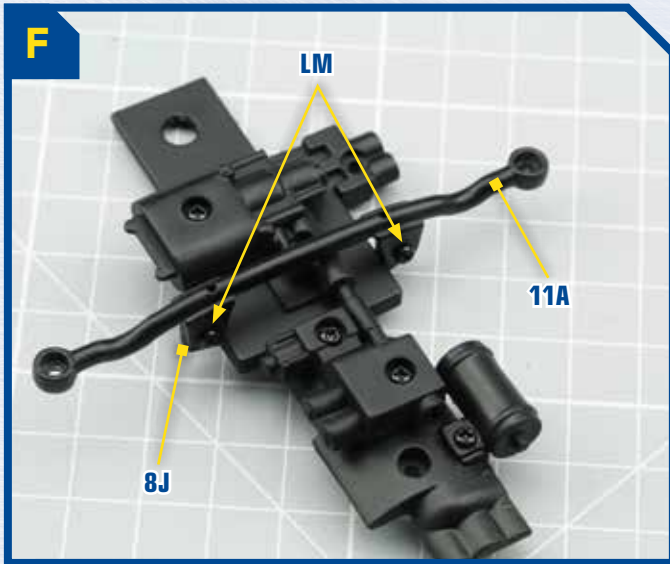
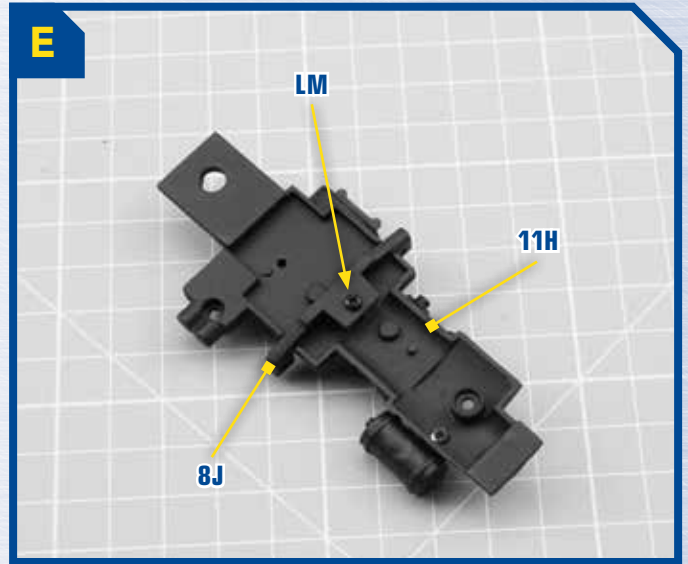
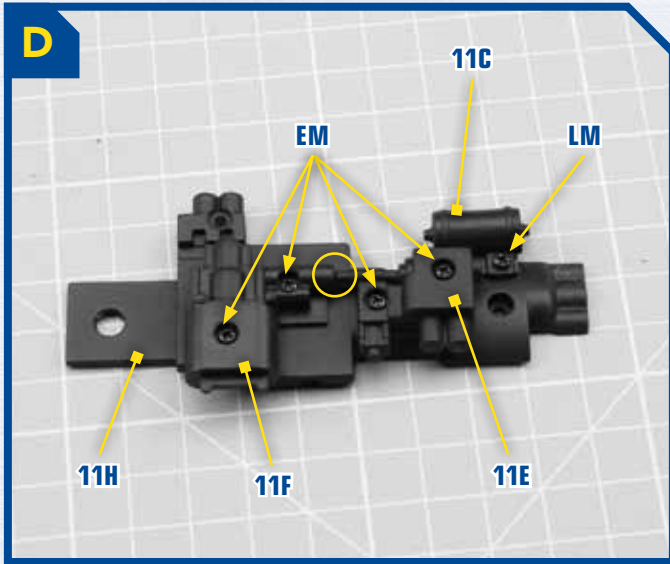
11 PARTS LIST

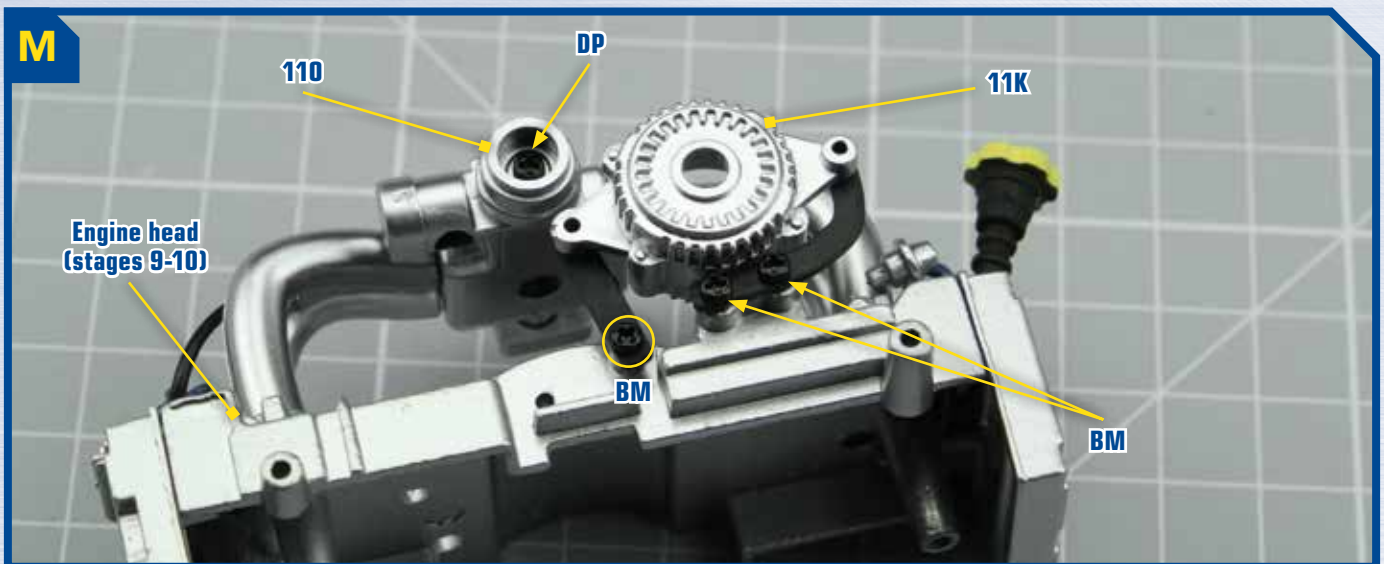
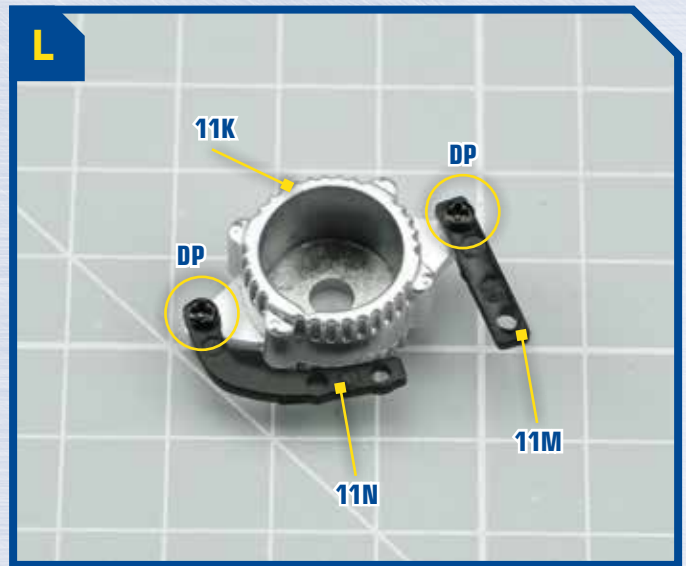
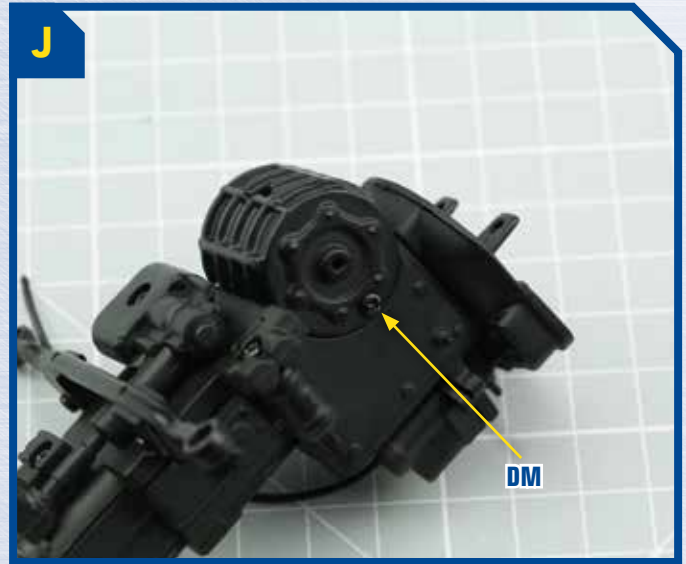
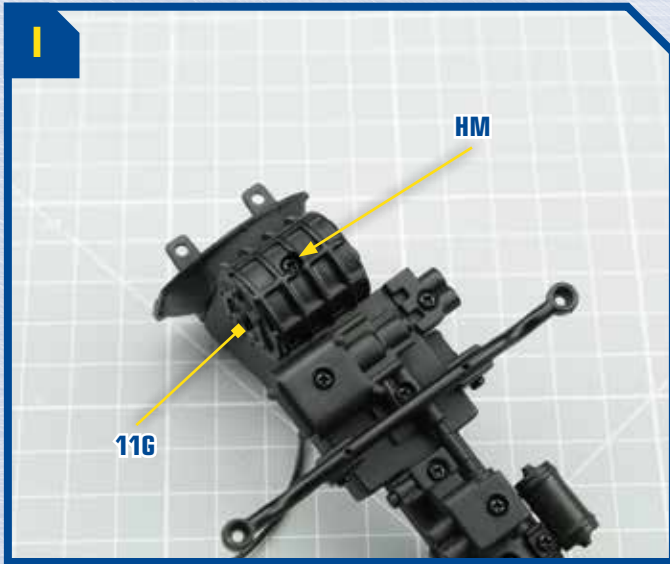


- | | |
|-------------------------------|------------------------------|
| 11A Crossbar | 11N Bracket 2 |
| 11B Filter 1 | 11O Detail |
| 11C Filter 2 | DP 4 screws (1.7x3mm) |
| 11D Joint | EP 2 screws (2x5mm) |
| 11E Box part A | BM 4 screws (1.7x4mm) |
| 11F Box part B | DM 8 screws (1.7x3mm) |
| 11G Differential box | EM 6 screws (2x5mm) |
| 11H Gearbox lower part | HM 3 screws (2.3x5mm) |
| 11I Plate | IM 2 screws (2.3x4mm) |
| 11J Filter 3 | LM 7 screws (2x4mm) |
| 11K Alternator | |
| 11L Engine detail | |
| 11M Bracket 1 | |



Step *bystep* #11



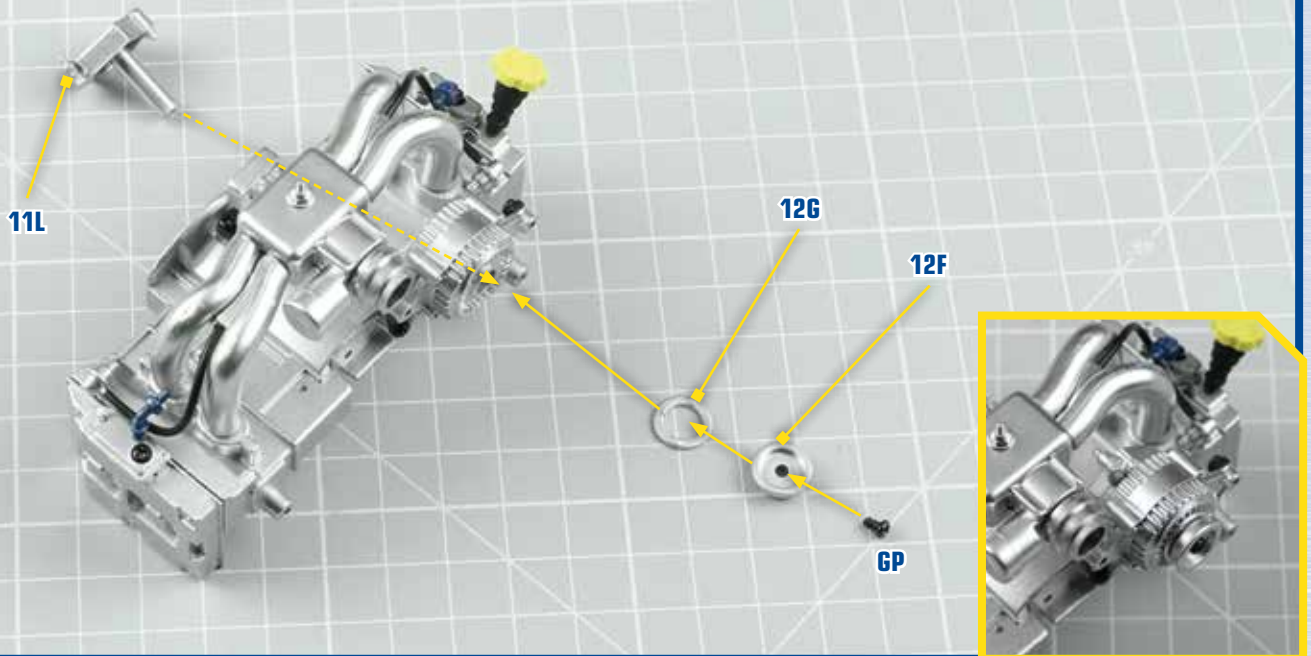


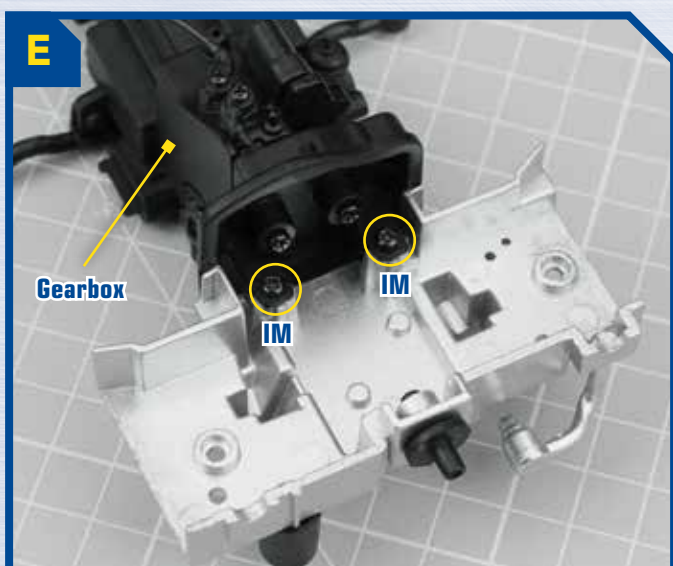
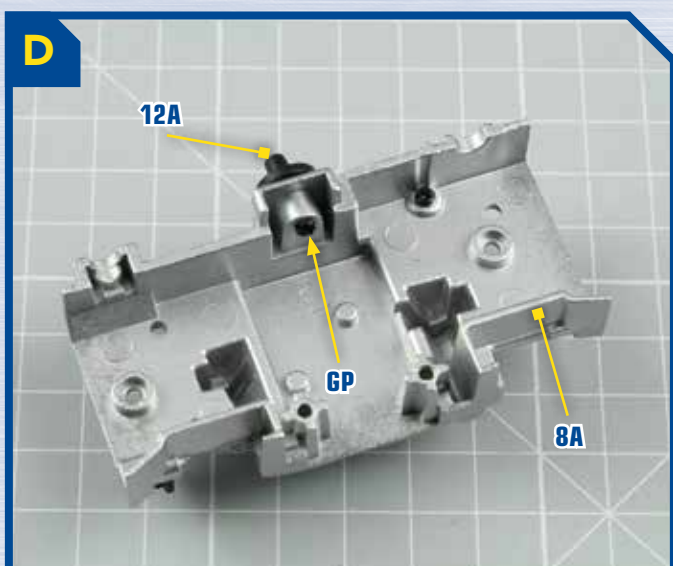
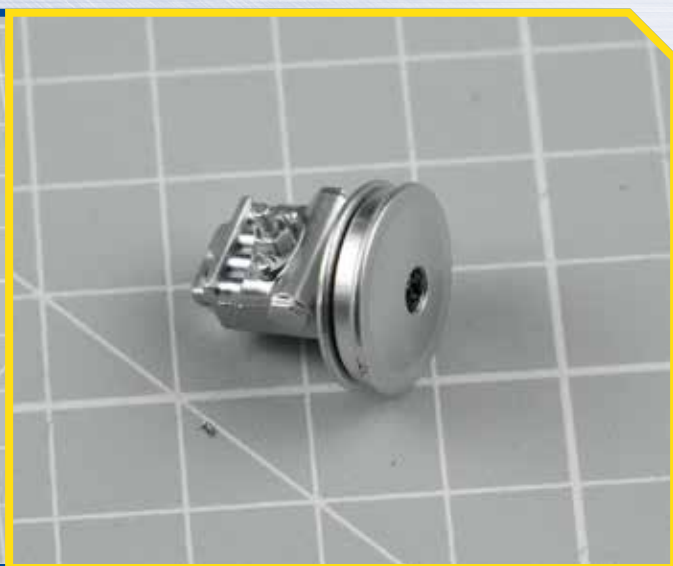
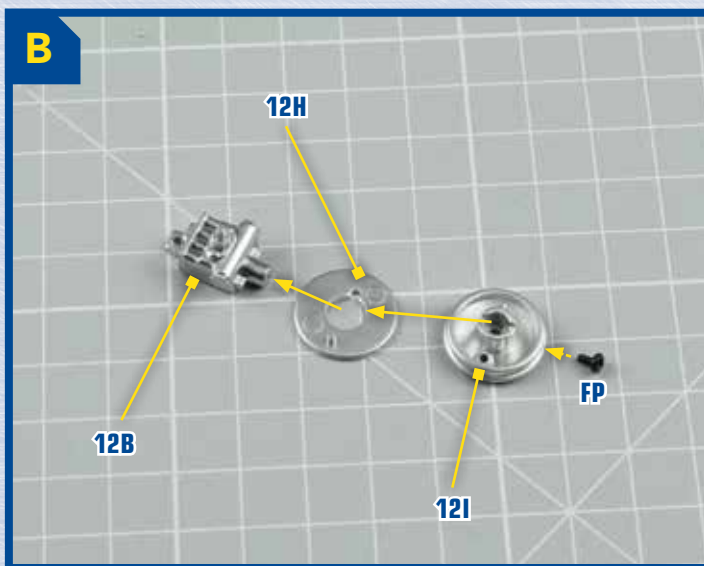
12 PARTS LIST

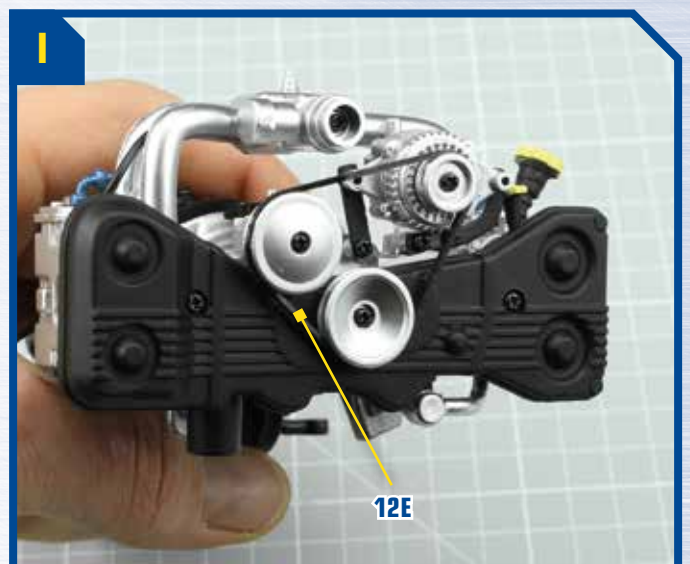
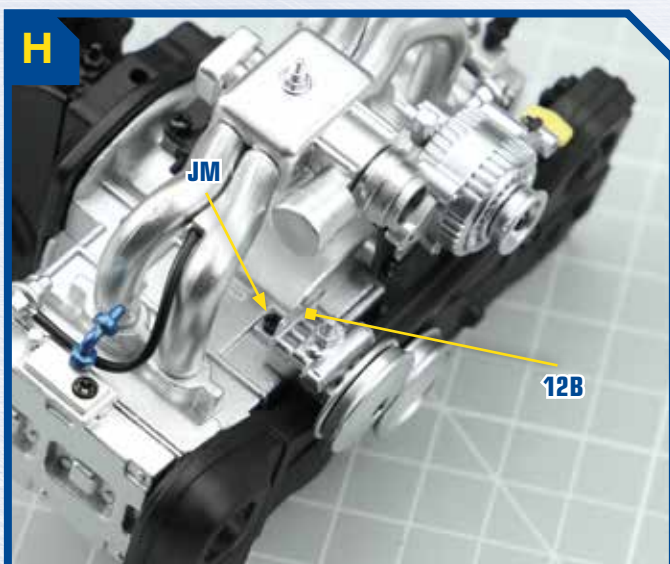
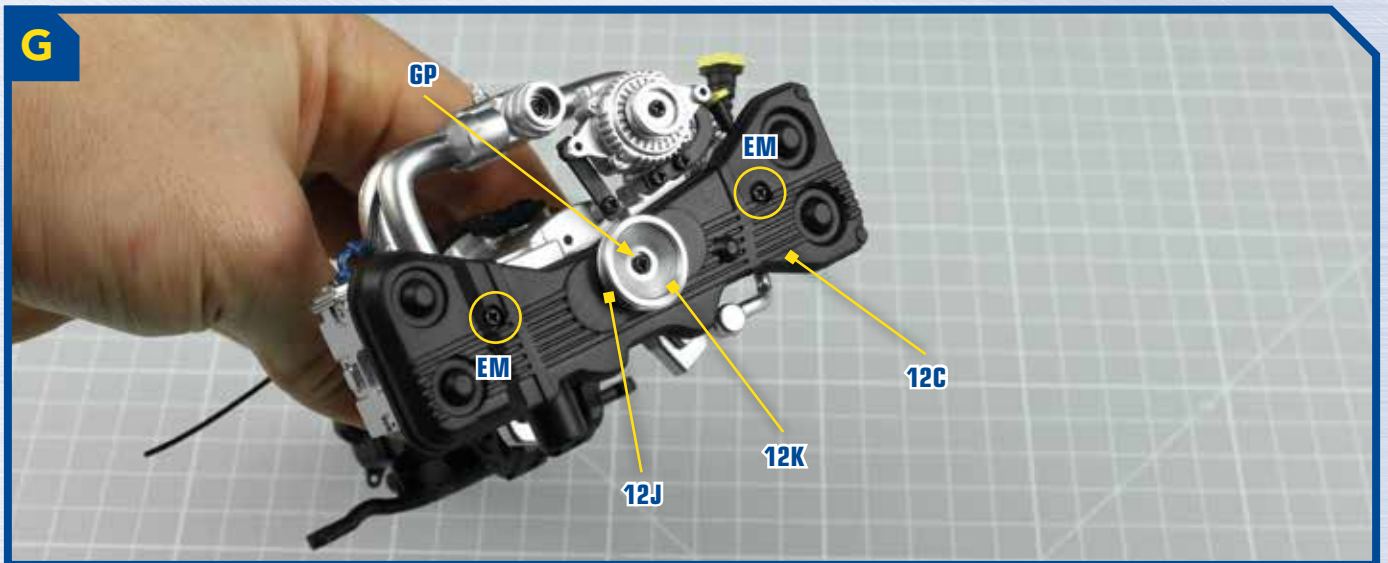
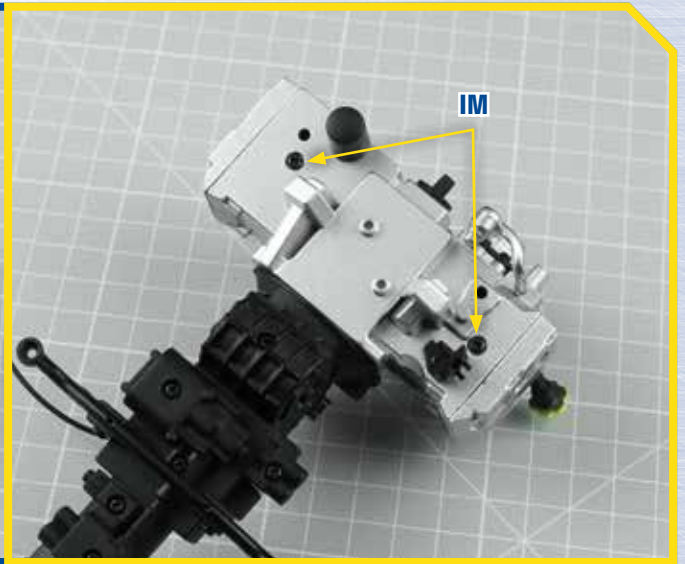
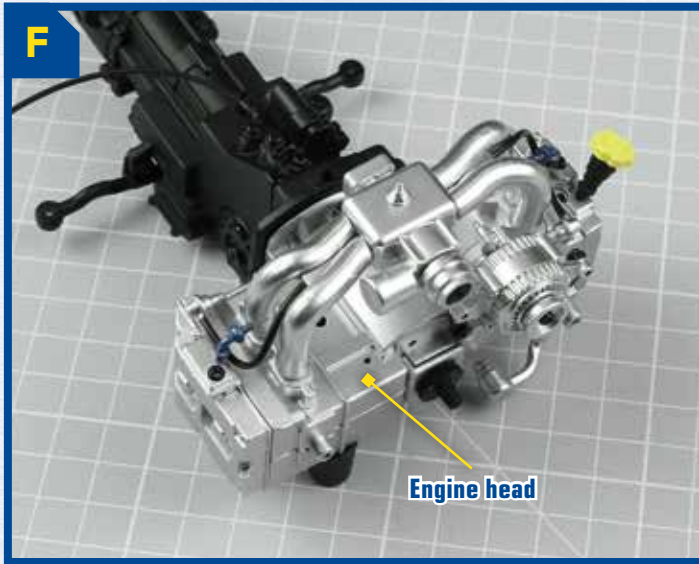


- | | | |
|-------------------------------------|--------------------------|------------------------------|
| 12A Engine detail | 12G Ring 1 | EP 2 screws (2x5mm) |
| 12B Power steering pump | 12H Ring 2 | FP 2 screws (1.5x3mm) |
| 12C Timing belt cover part A | 12I Pulley part B | GP 4 screws (2x3mm) |
| 12D Timing belt cover part B | 12J Ring 3 | EM 4 screws (2x5mm) |
| 12E Timing belt | 12K Pulley part C | IM 6 screws (2.3x4mm) |
| 12F Pulley part A | 12L Cap | JM 2 screws (1.5x4mm) |

A





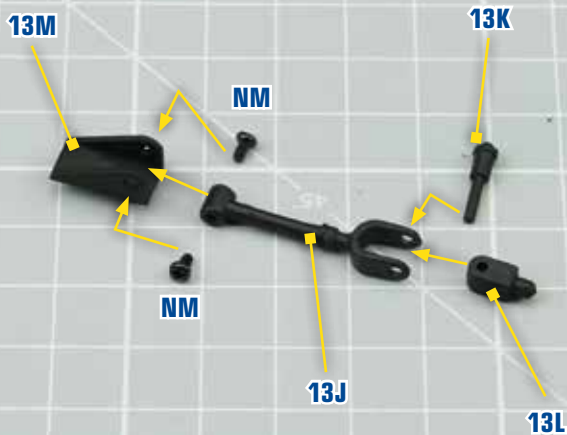


13 PARTS LIST

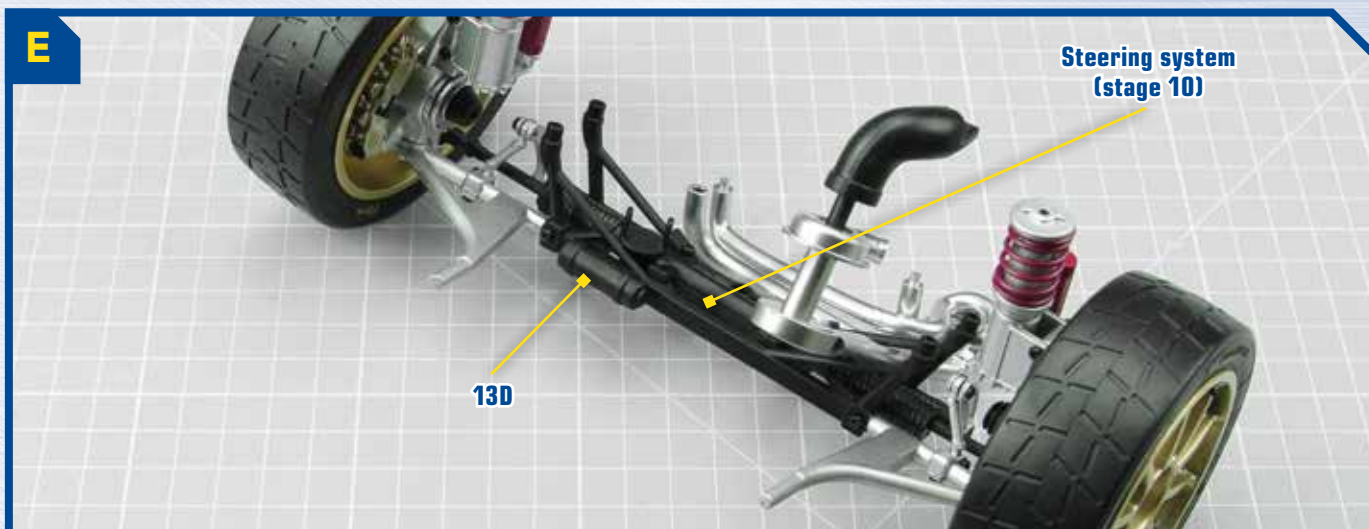
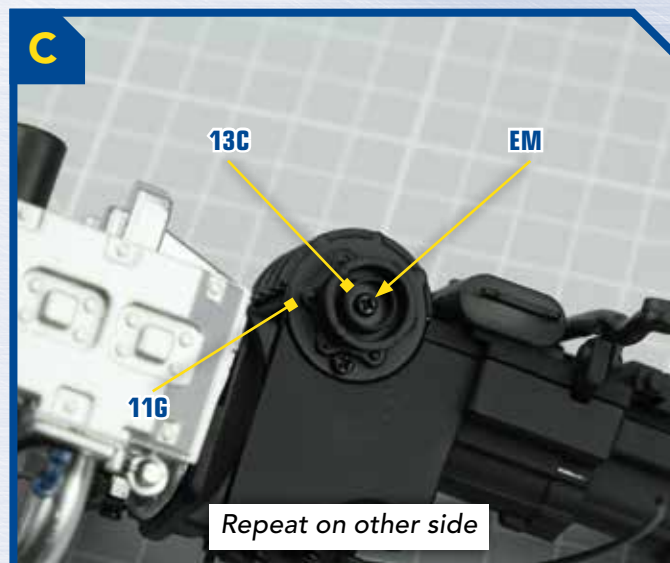
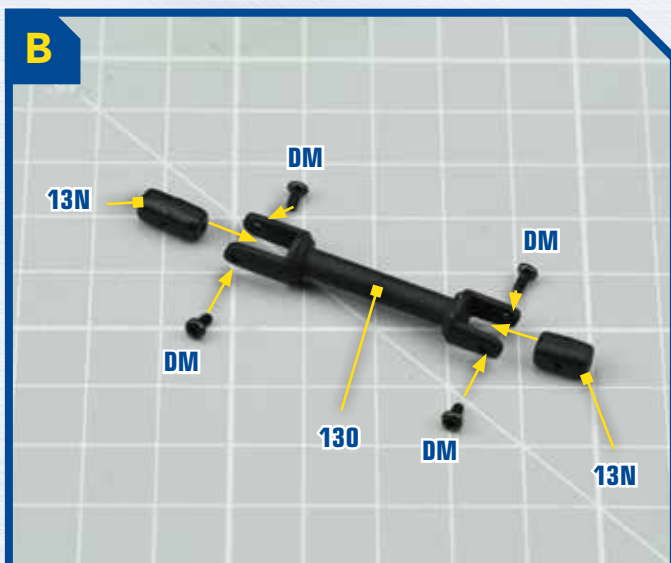


- | | | |
|--------------------------|---------------------------|----------------------------------|
| 13A Supports (x2) | 13H Tube 4 | 13O Steering column shaft |
| 13B Bumpers (x2) | 13I Tube 5 | 13P Pliers |
| 13C Flanges (x2) | 13J Stabilizer bar | |
| 13D Accumulator | 13K Mount | |
| 13E Tube 1 | 13L Bar detail | EM 3 screws (2x5mm) |
| 13F Tube 2 | 13M Hook | DM 6 screws (1.7x3mm) |
| 13G Tube 3 | 13N Joints (x2) | NM 3 screws (2x3mm) |

A



Step *by* step #13

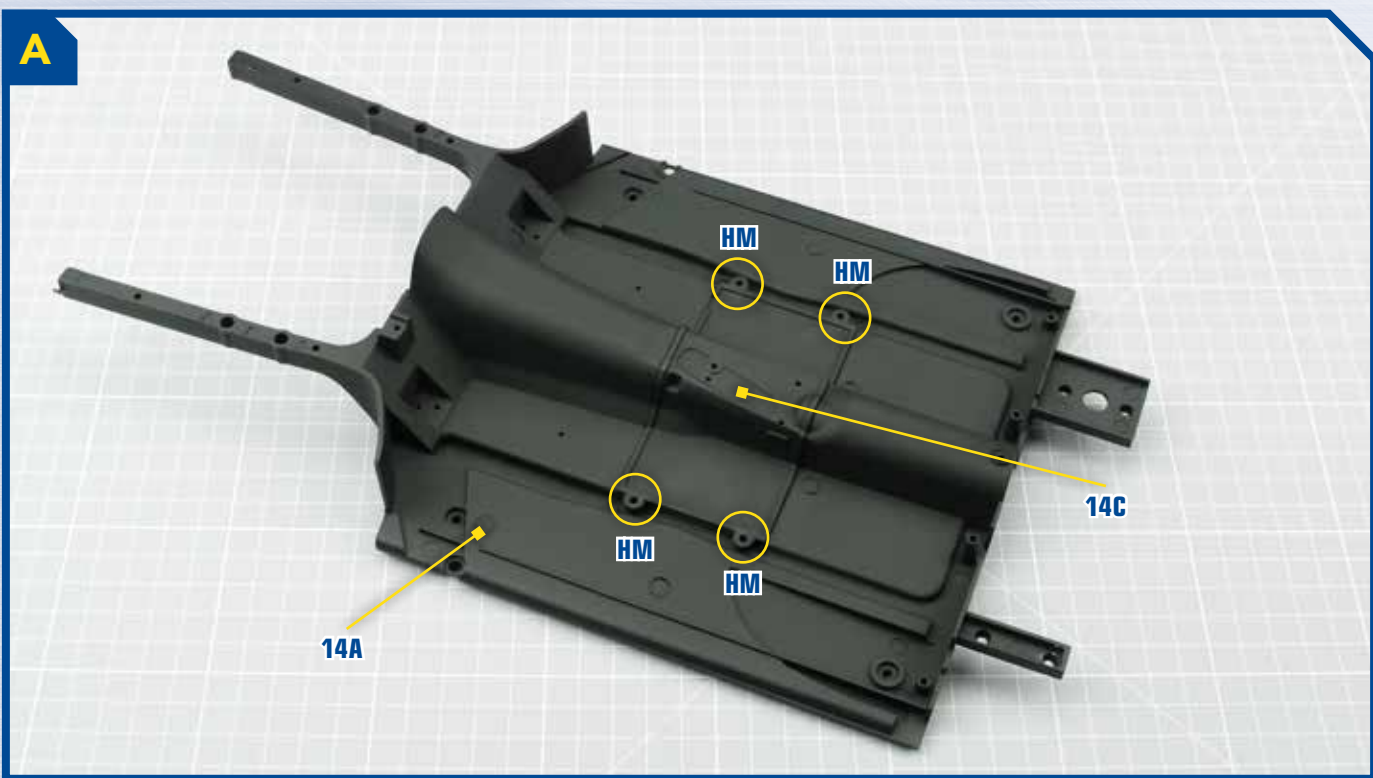


14 PARTS LIST



- 14A** Chassis part A
- 14B** Brackets (x2)
- 14C** Chassis part B

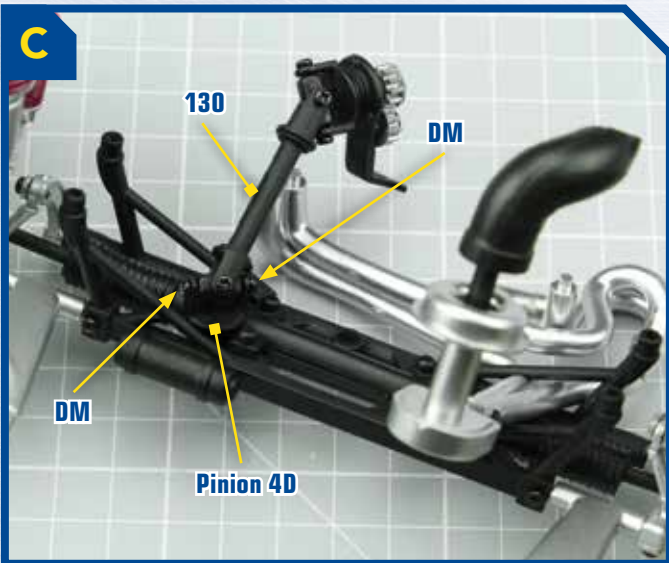
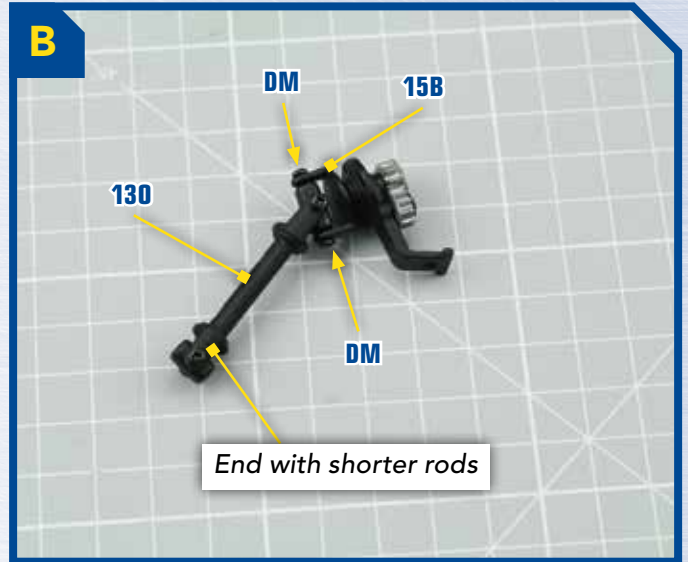
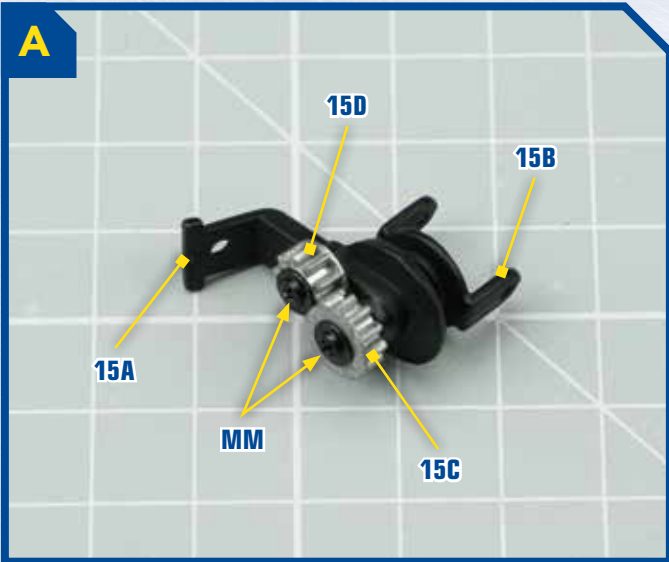
- HM** 6 screws (2.3x5mm)



15 PARTS LIST

- 15A** Joint
- 15B** Hook
- 15C** Gear 1
- 15D** Gear 2
- 15E** Bracket 1
- 15F** Gear selector
- 15G** Bracket 2

- DM** 6 screws (1.7x3mm)
- JM** 2 screws (1.5x4mm)
- MM** 3 screws (1.7x3mm)



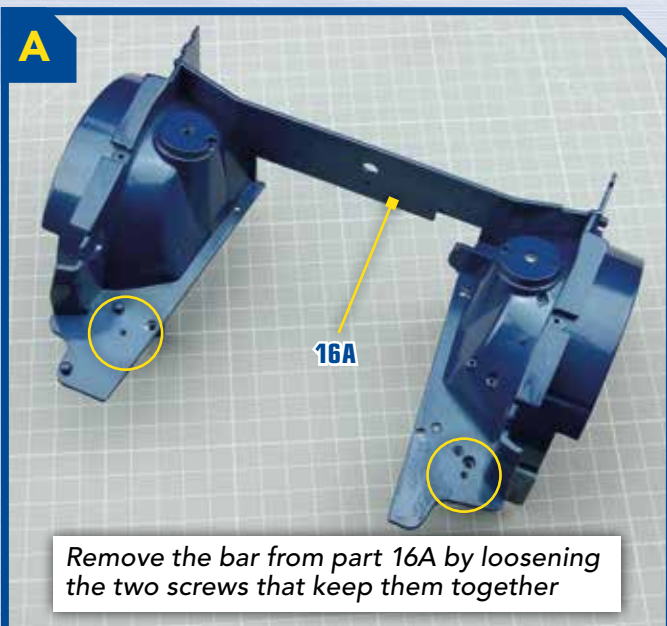
16 PARTS LIST



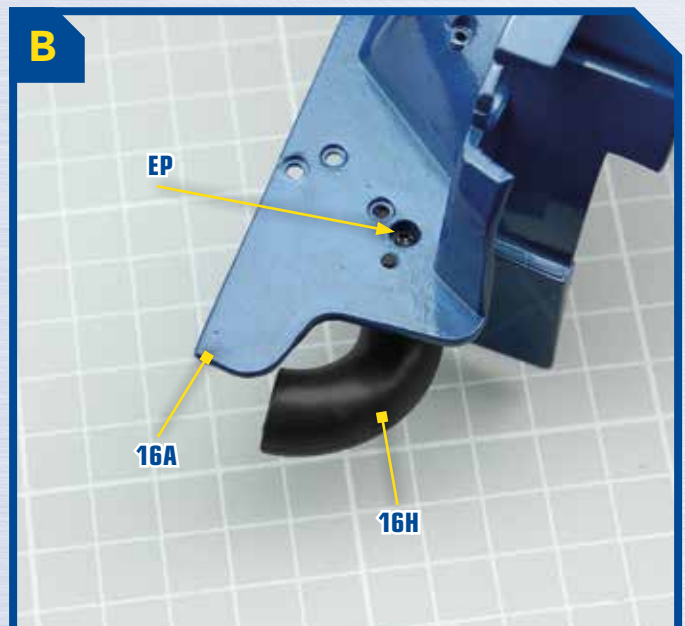
- 16A** Front mudguards
- 16B** Mudflap 1
- 16C** Mudflap 2
- 16D** Bonnet rod

- 16E** Joint
- 16F** Lock
- 16G** Flexible tubes (x2)
- 16H** Cooling duct

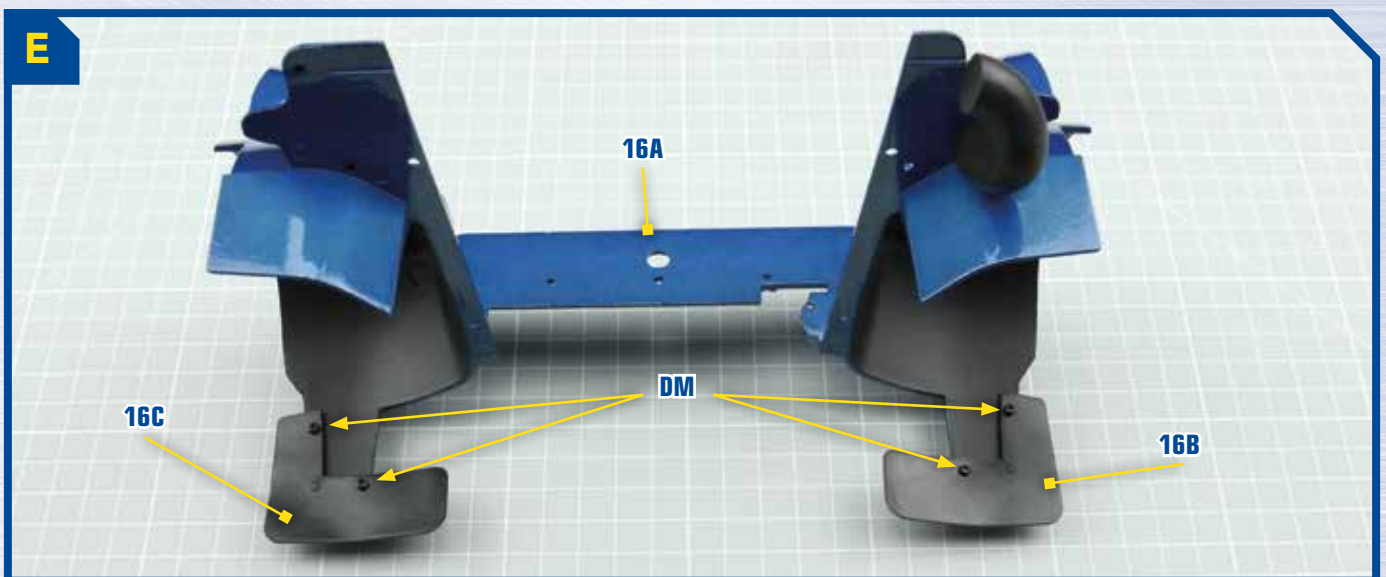
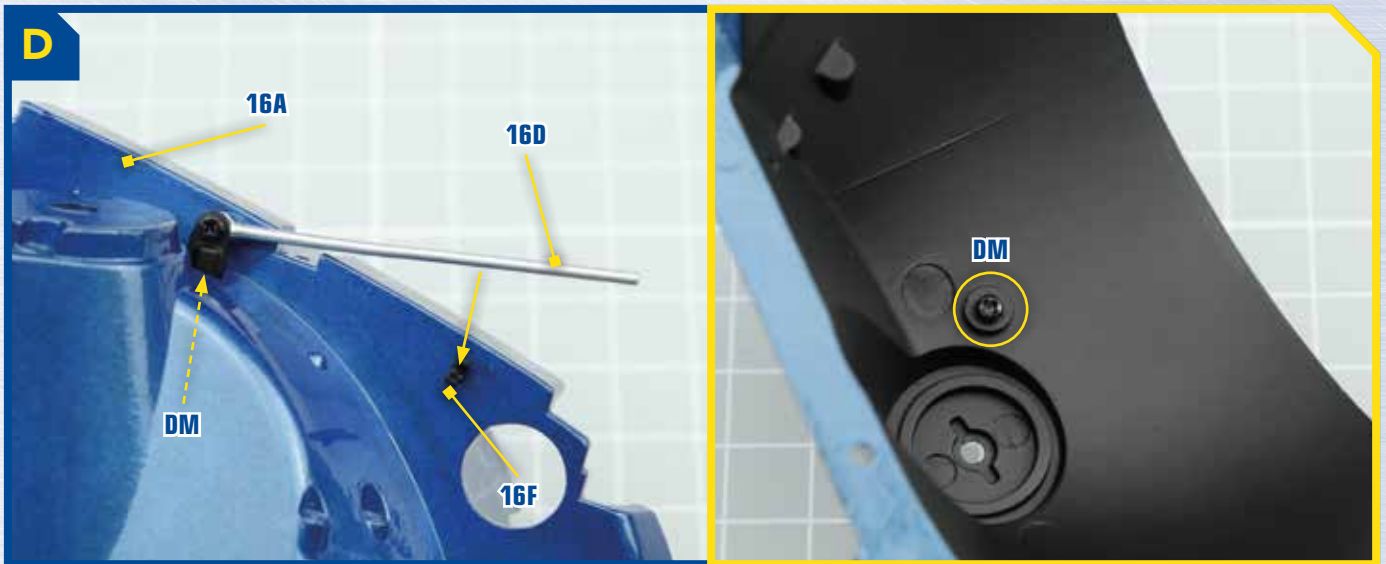
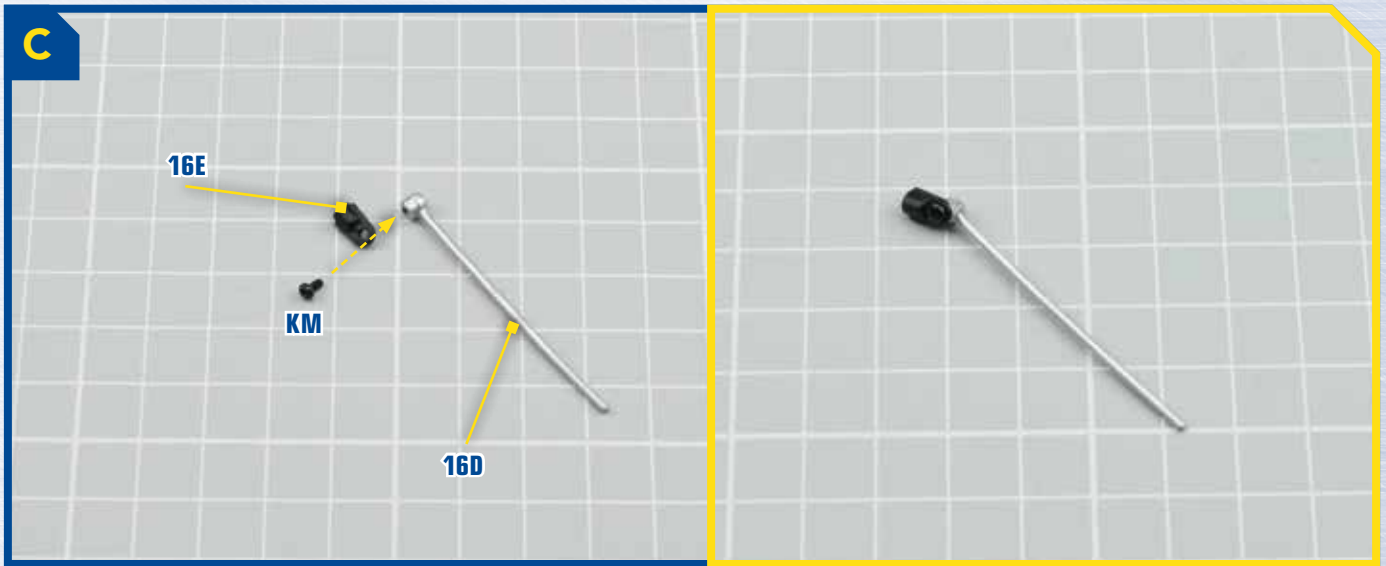
- EP** 2 screws (2x5mm)
- DM** 7 screws (1.7x3mm)
- KM** 2 screws (1.5x3mm)



Remove the bar from part 16A by loosening the two screws that keep them together



Step *by* step #16



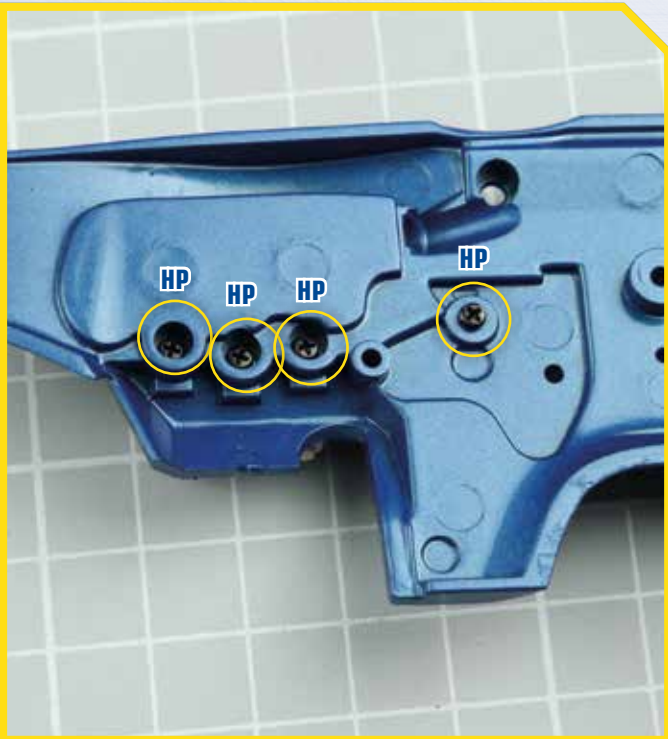
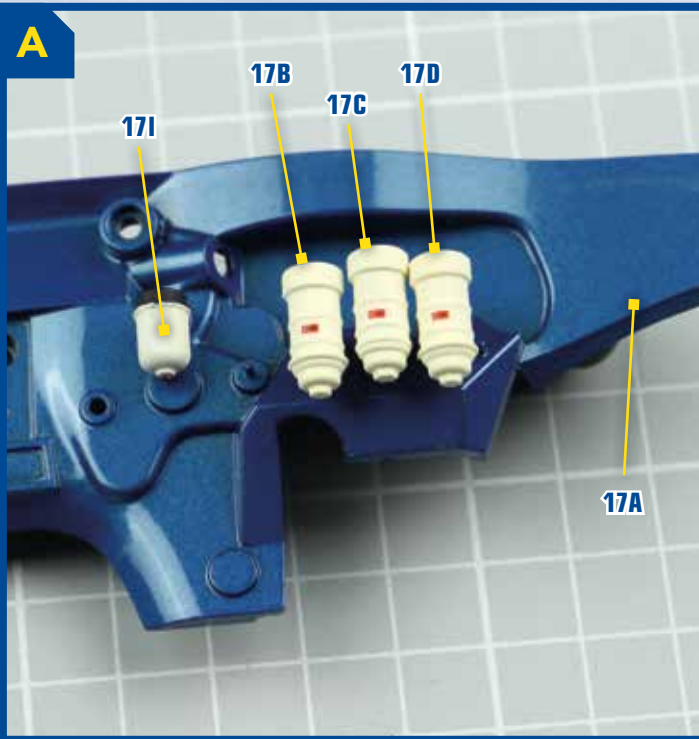
17 PARTS LIST



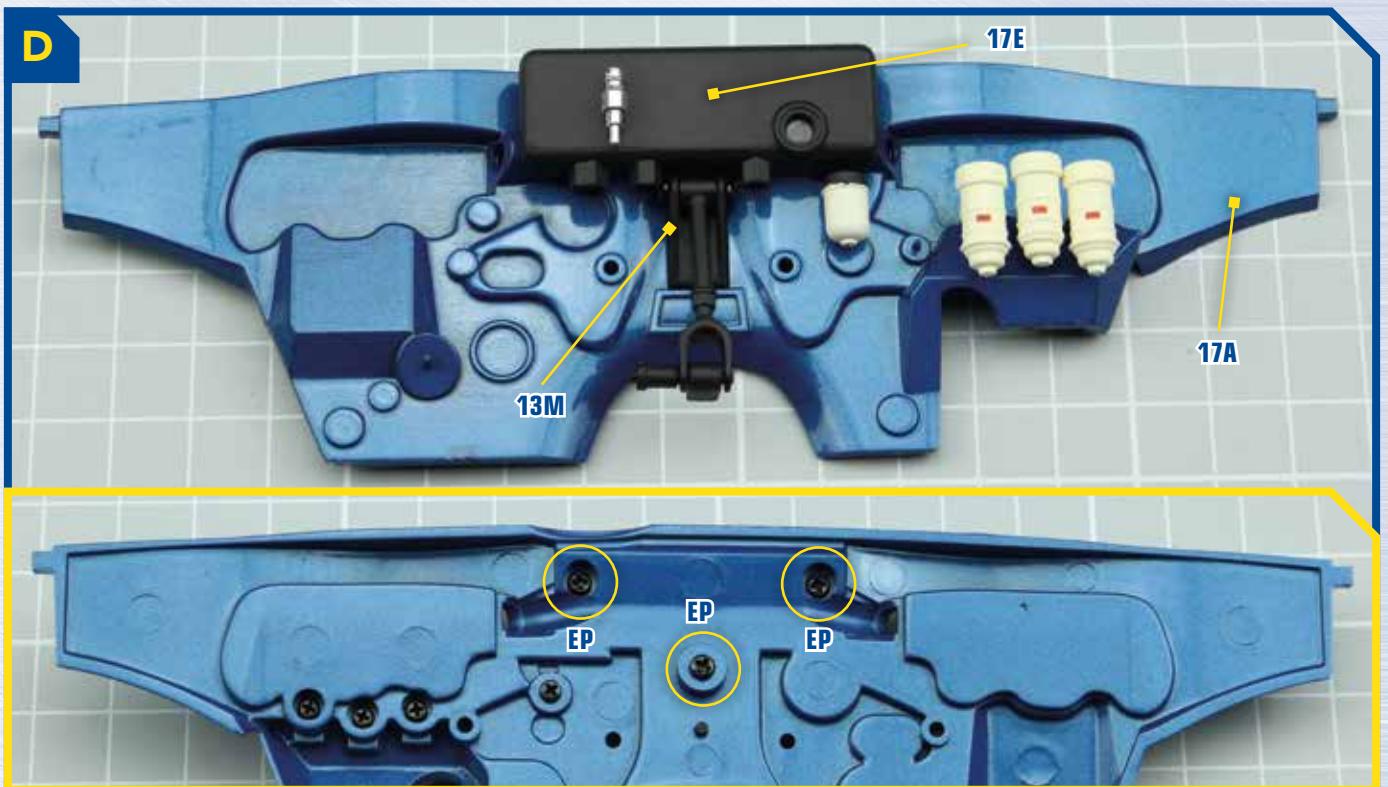
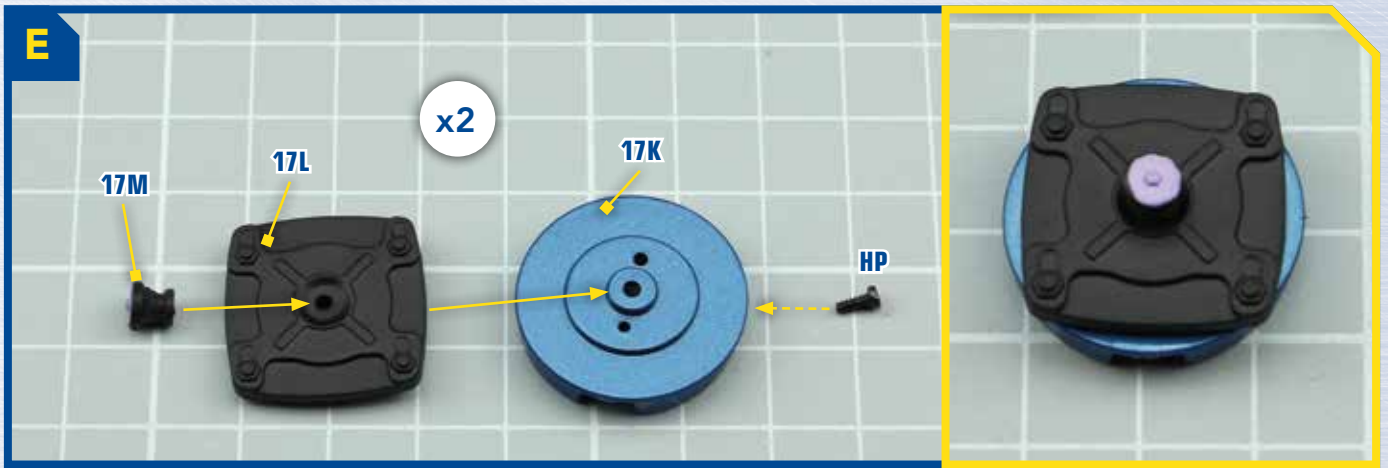
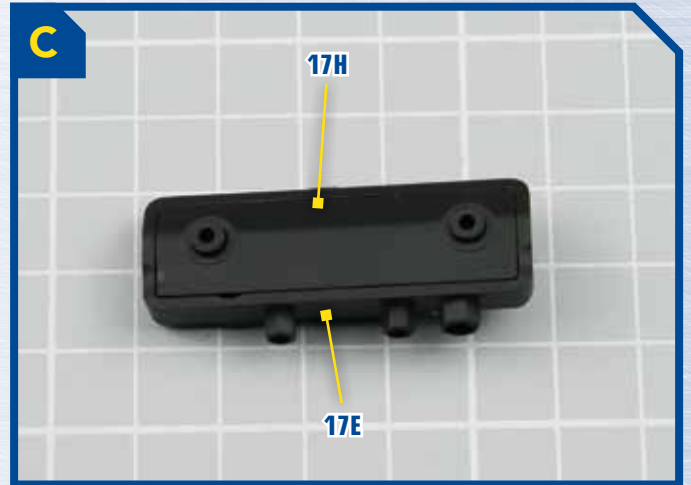
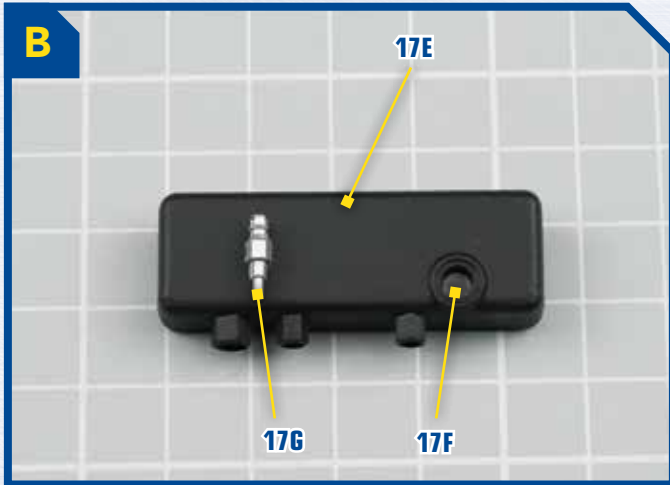
- 17A** Body panel
- 17B** Tank 1
- 17C** Tank 2
- 17D** Tank 3
- 17E** Oil tank
- 17F** Light

- 17G** Valve
- 17H** Oil tank support
- 17I** Tank 4
- 17J** Flexible tube
- 17K** Supports part A (x2)
- 17L** Supports part B (x2)

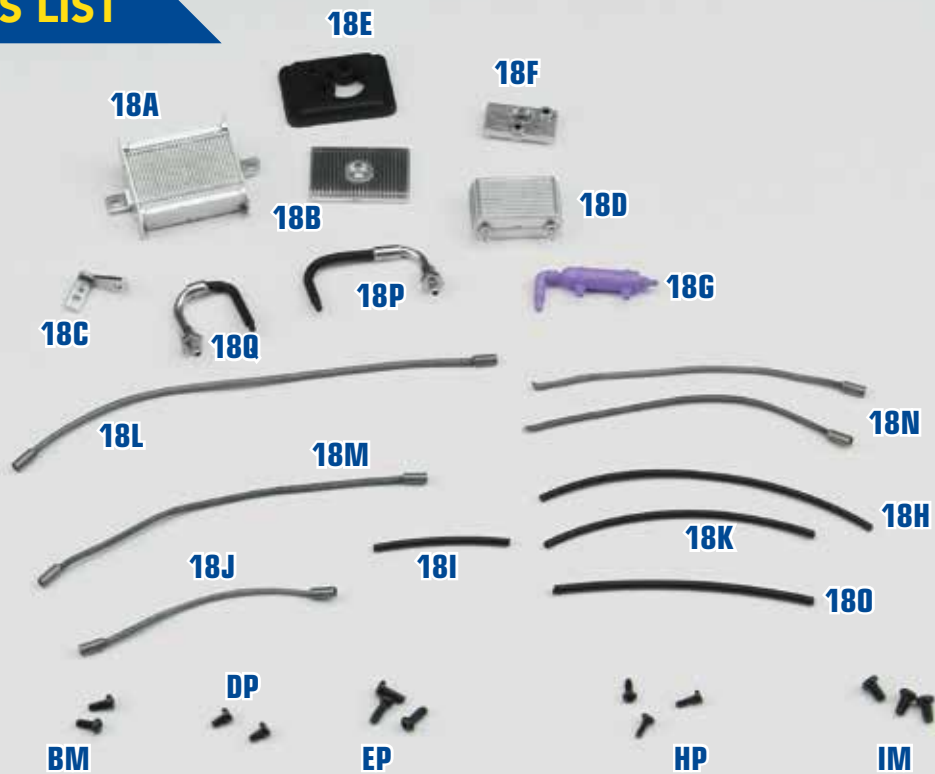
- 17M** Support parts C (x2)
- 17N** Shafts (x2)
- EP** 8 screws (2x5mm)
- HP** 8 screws (1.5x4mm)



Step *b*ystep #17



18 PARTS LIST

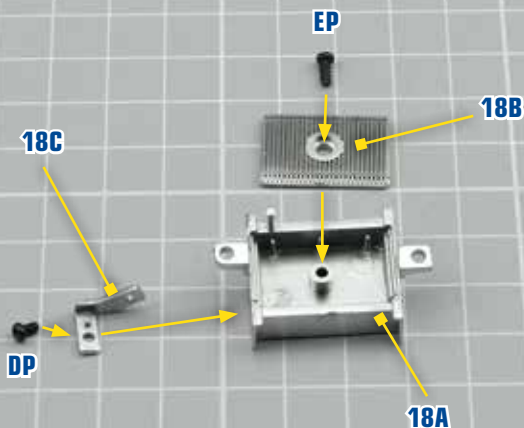


- 18A** Oil cooler part A
- 18B** Oil cooler part B
- 18C** Bracket
- 18D** Tank part A
- 18E** Tank part B
- 18F** Tank part C
- 18G** Filter
- 18H** Tube 1

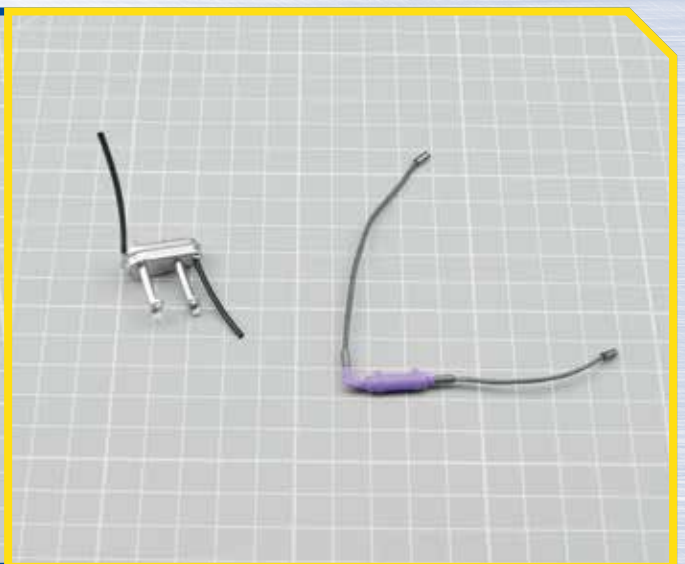
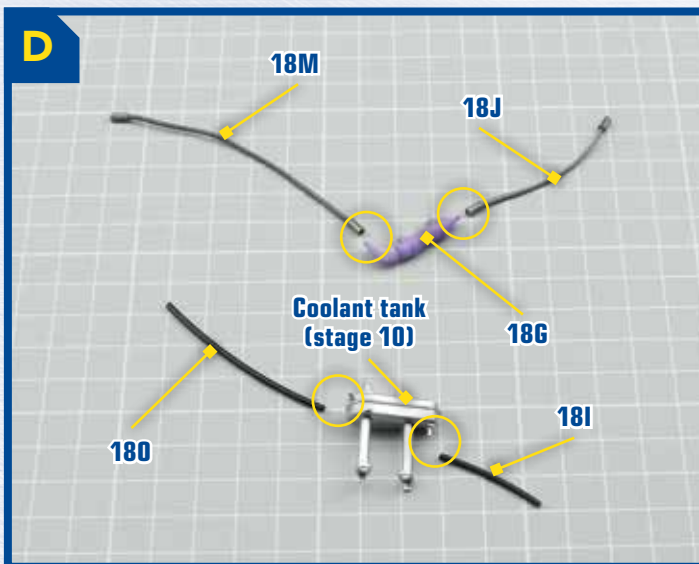
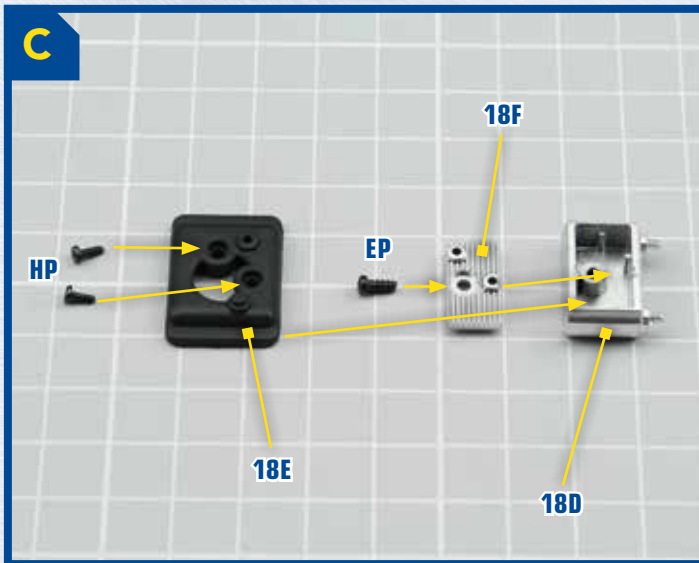
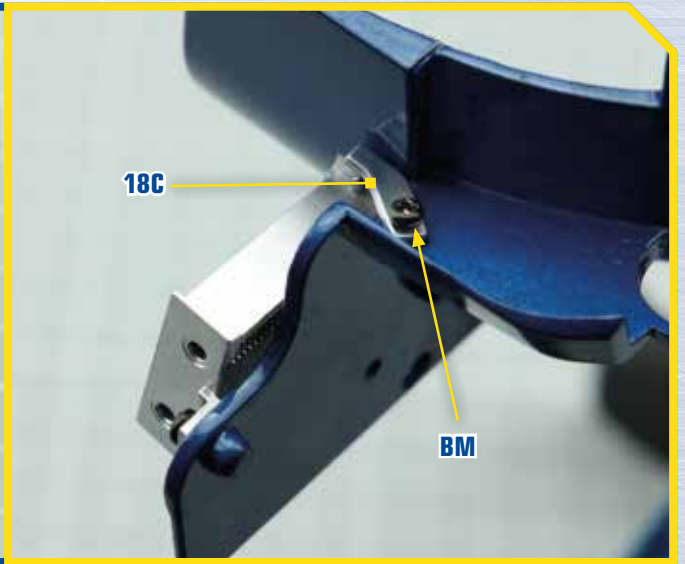
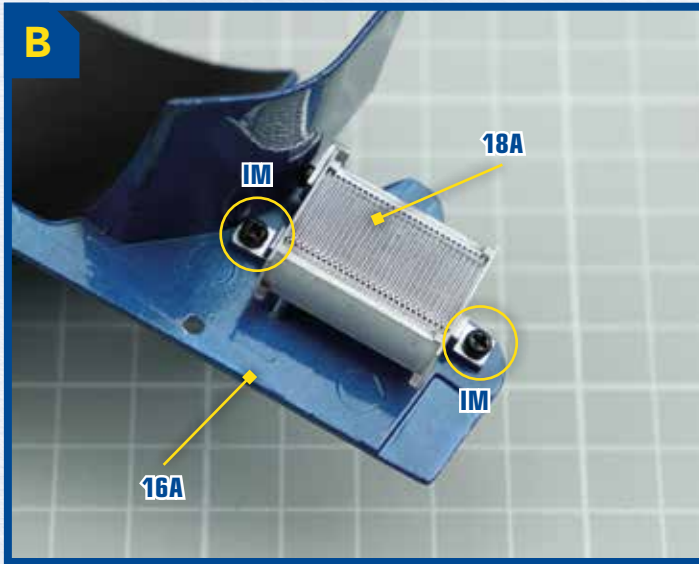
- 18I** Tube 2
- 18J** Tube 3
- 18K** Tube 4
- 18L** Tube 5
- 18M** Tube 6
- 18N** Tubes 7 (x2)
- 18O** Tube 8
- 18P** Tube 9

- 18Q** Tube 10
- DP** 4 screws (1.7x3mm)
- EP** 4 screws (2x5mm)
- HP** 3 screws (1.5x4mm)
- BM** 2 screws (1.7x4mm)
- IM** 3 screws (2.3x4mm)

A



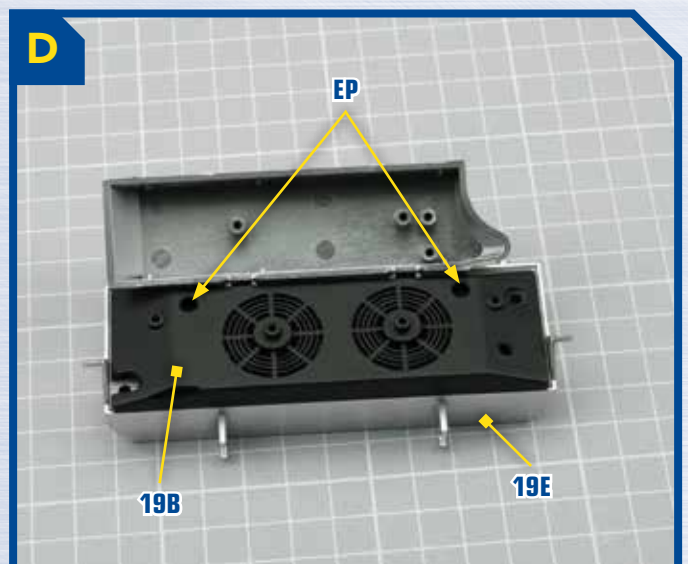
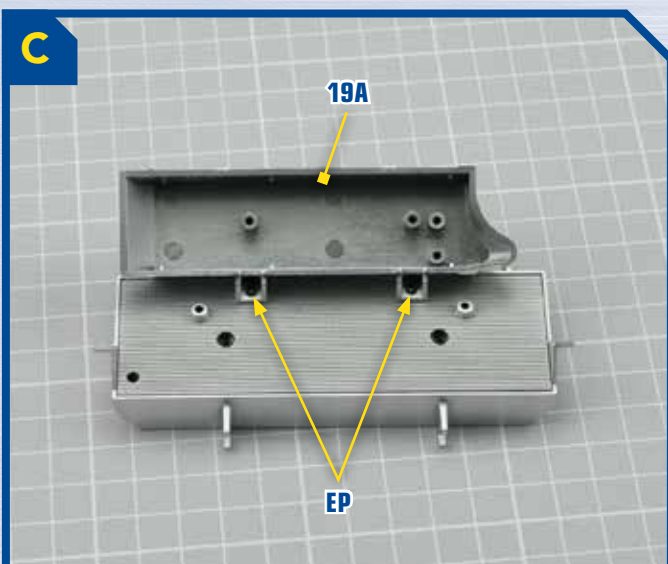
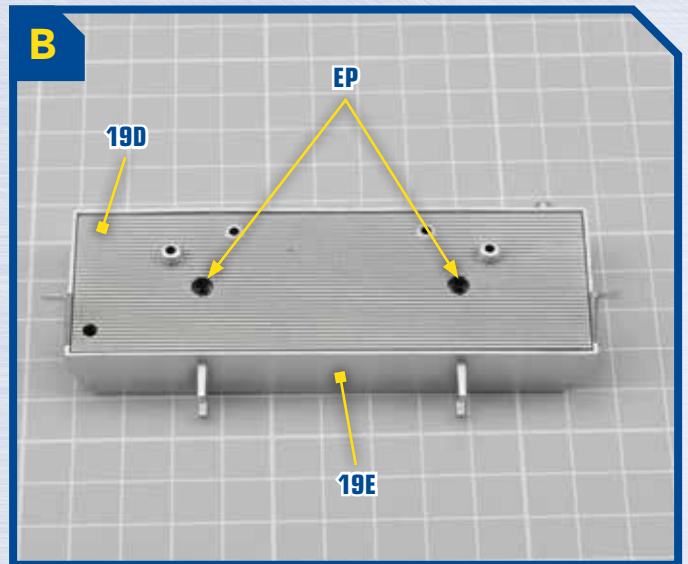
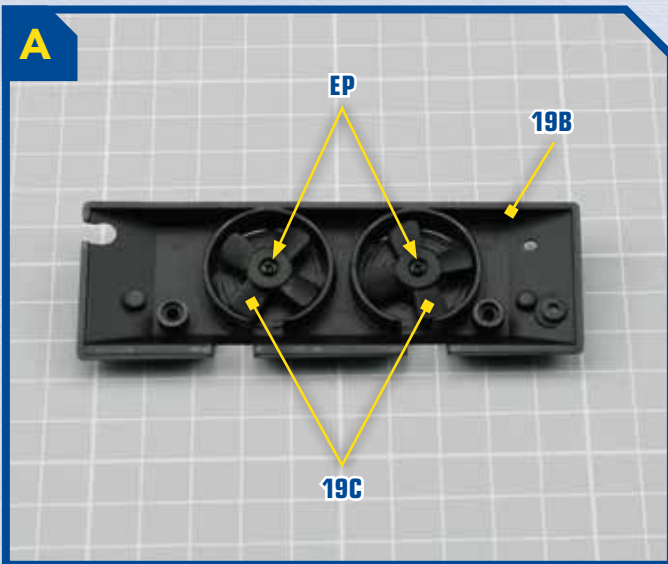
Step *by* step #18



19 PARTS LIST

- 19A** Intercooler cover
- 19B** Fans compartment
- 19C** Fans (x2)
- 19D** Intercooler detail
- 19E** Intercooler base

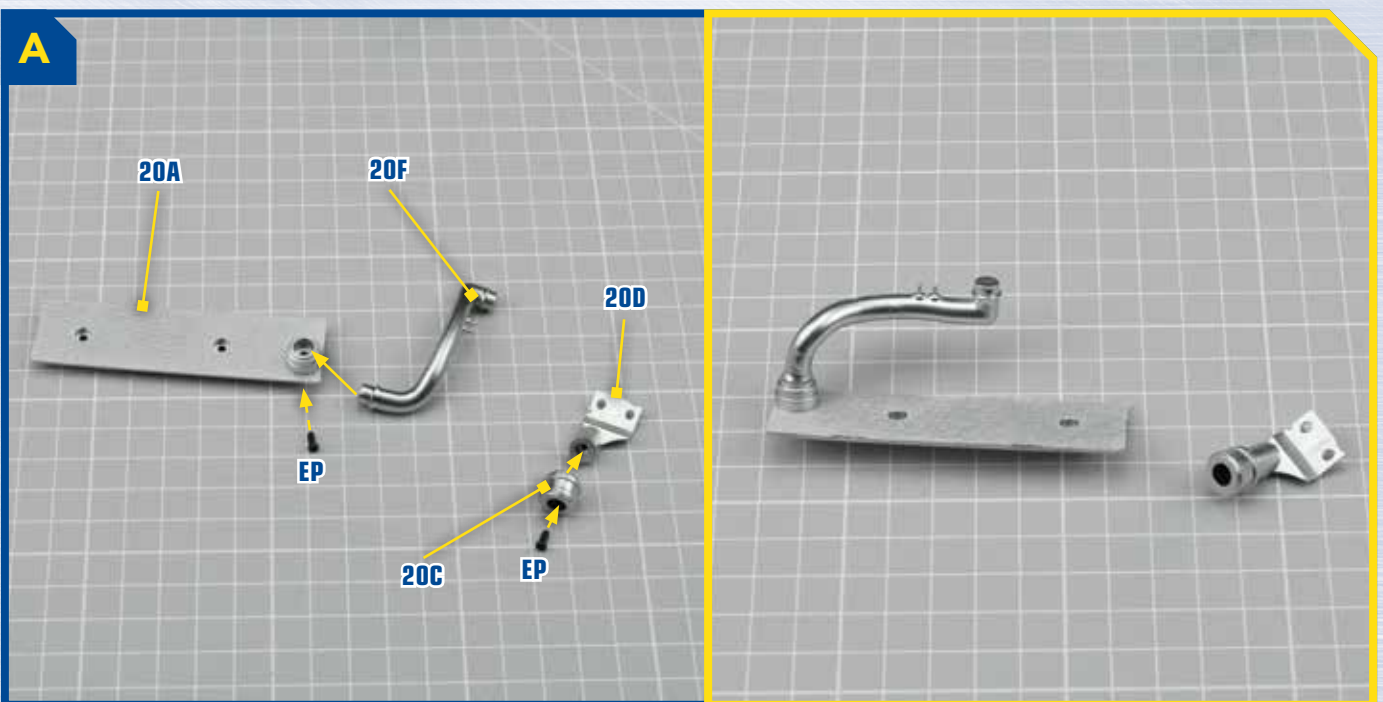
EP 11 screws (2x5mm)

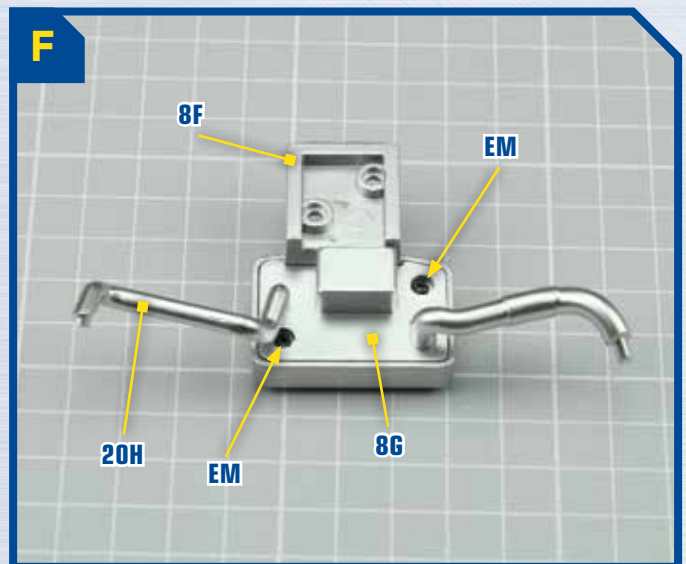
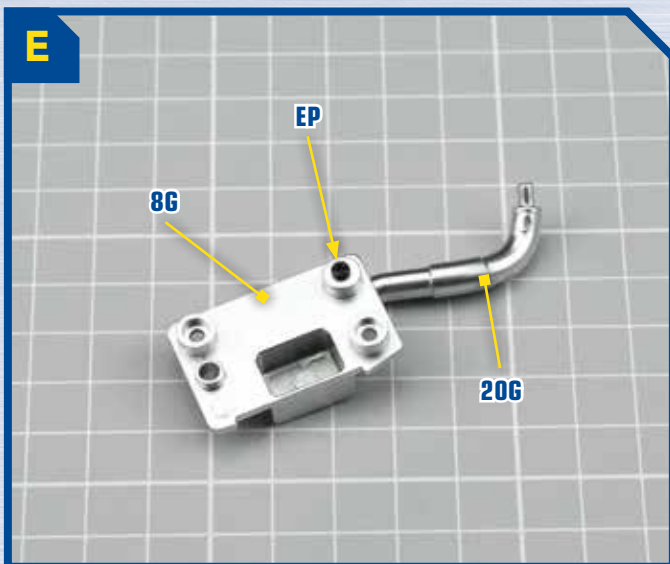
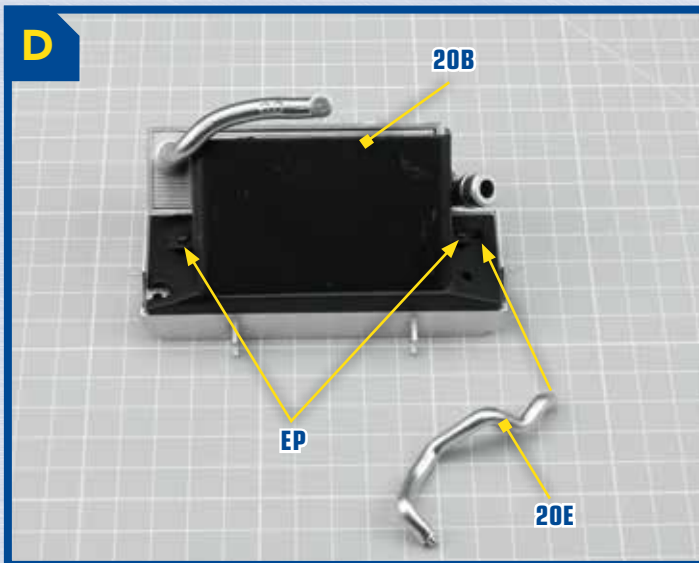
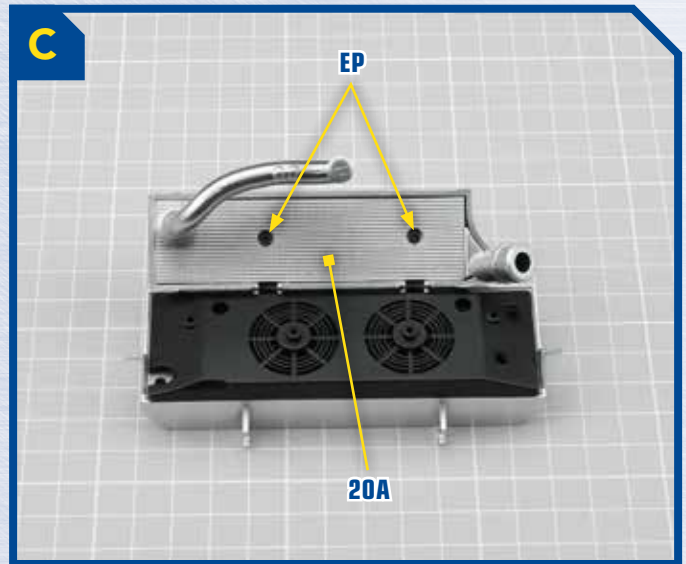
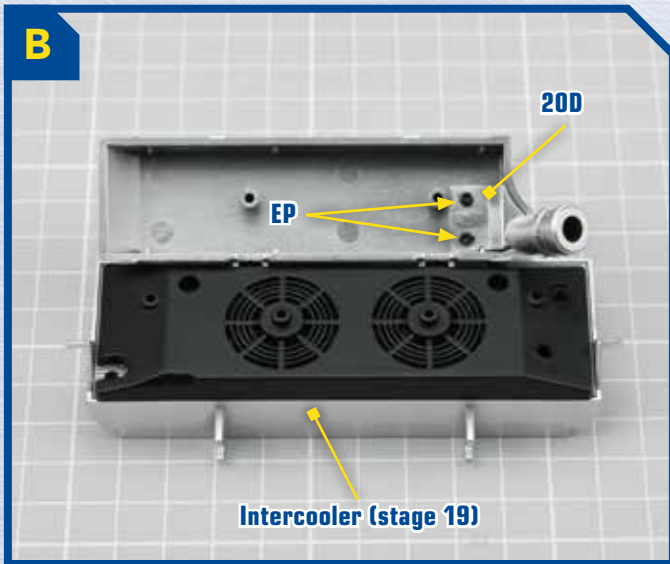


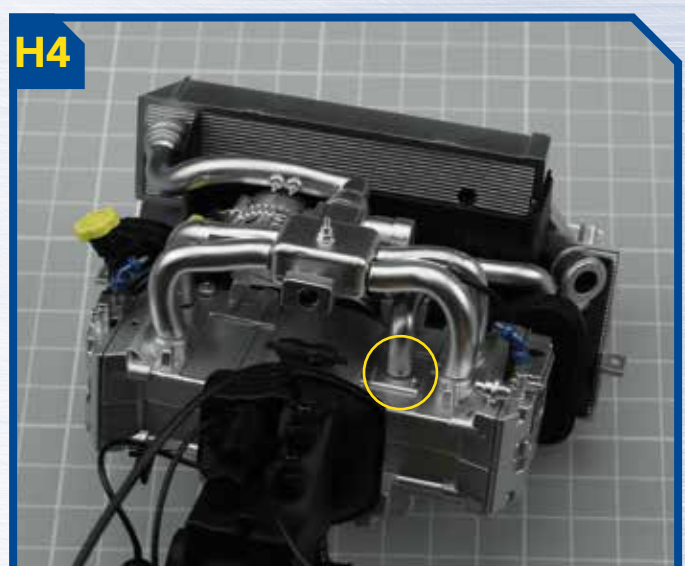
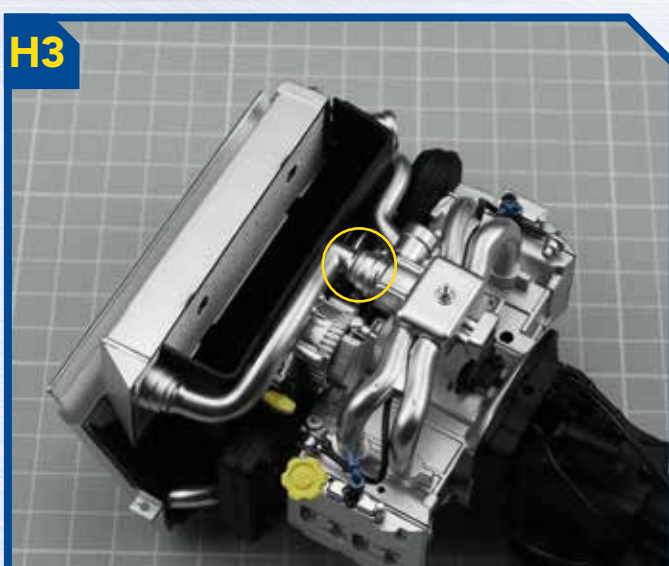
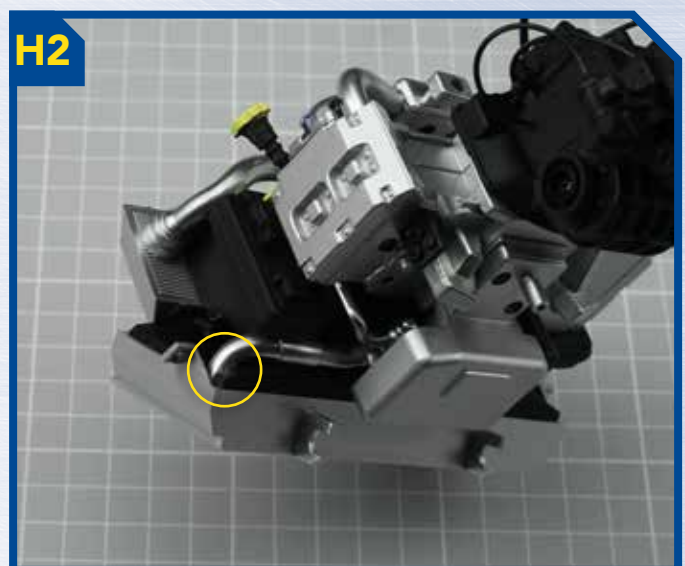
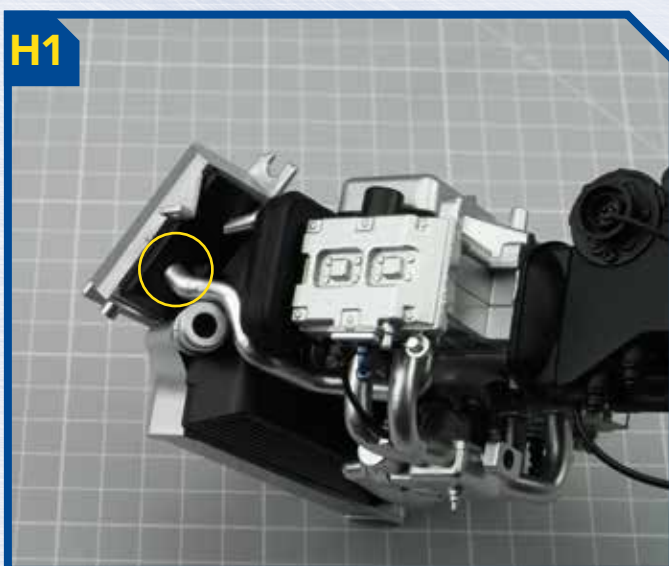
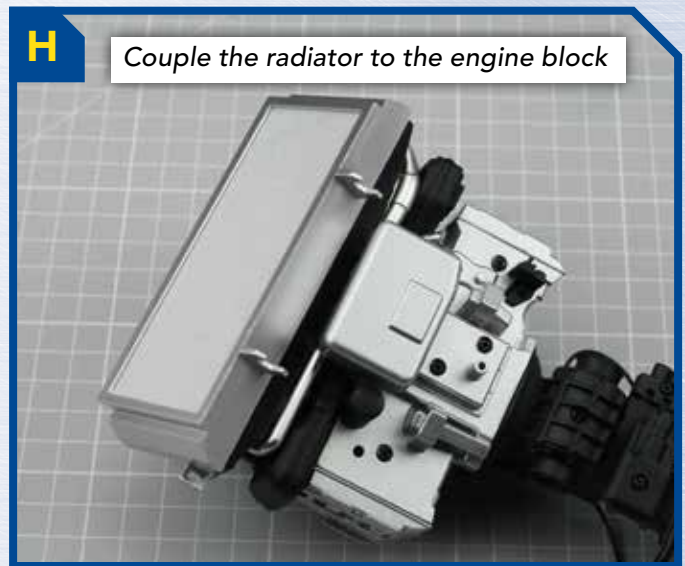
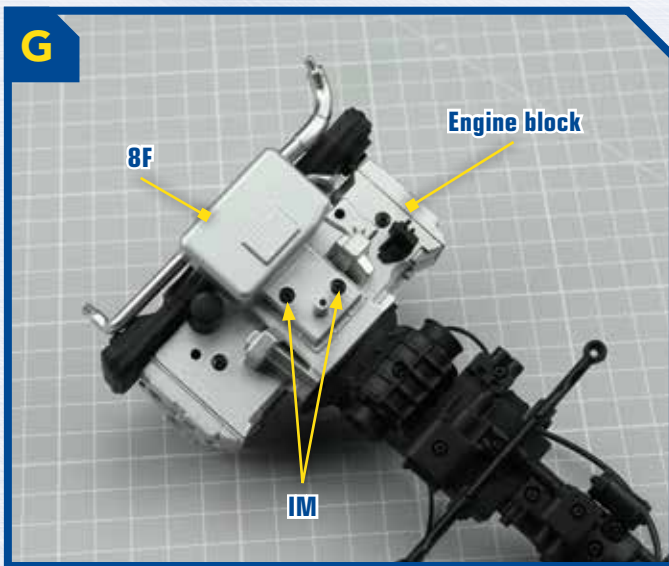
20 PARTS LIST

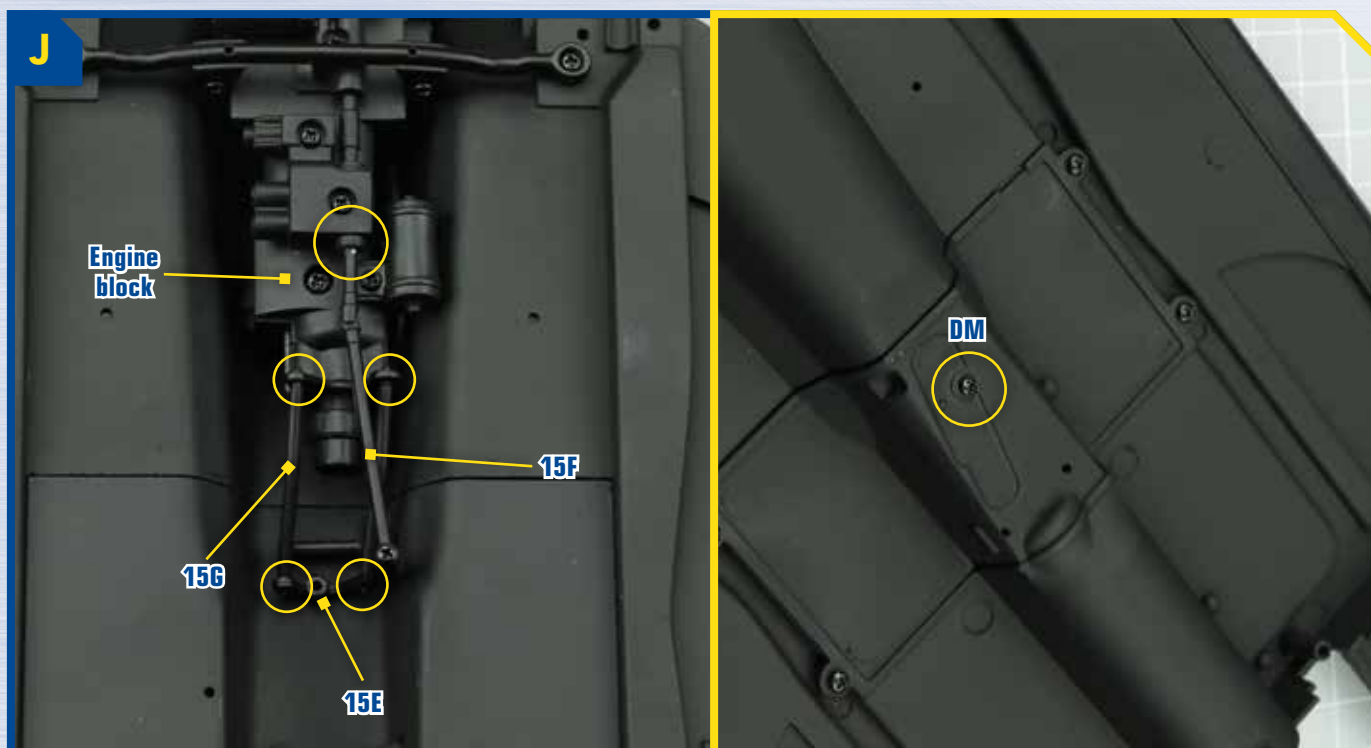
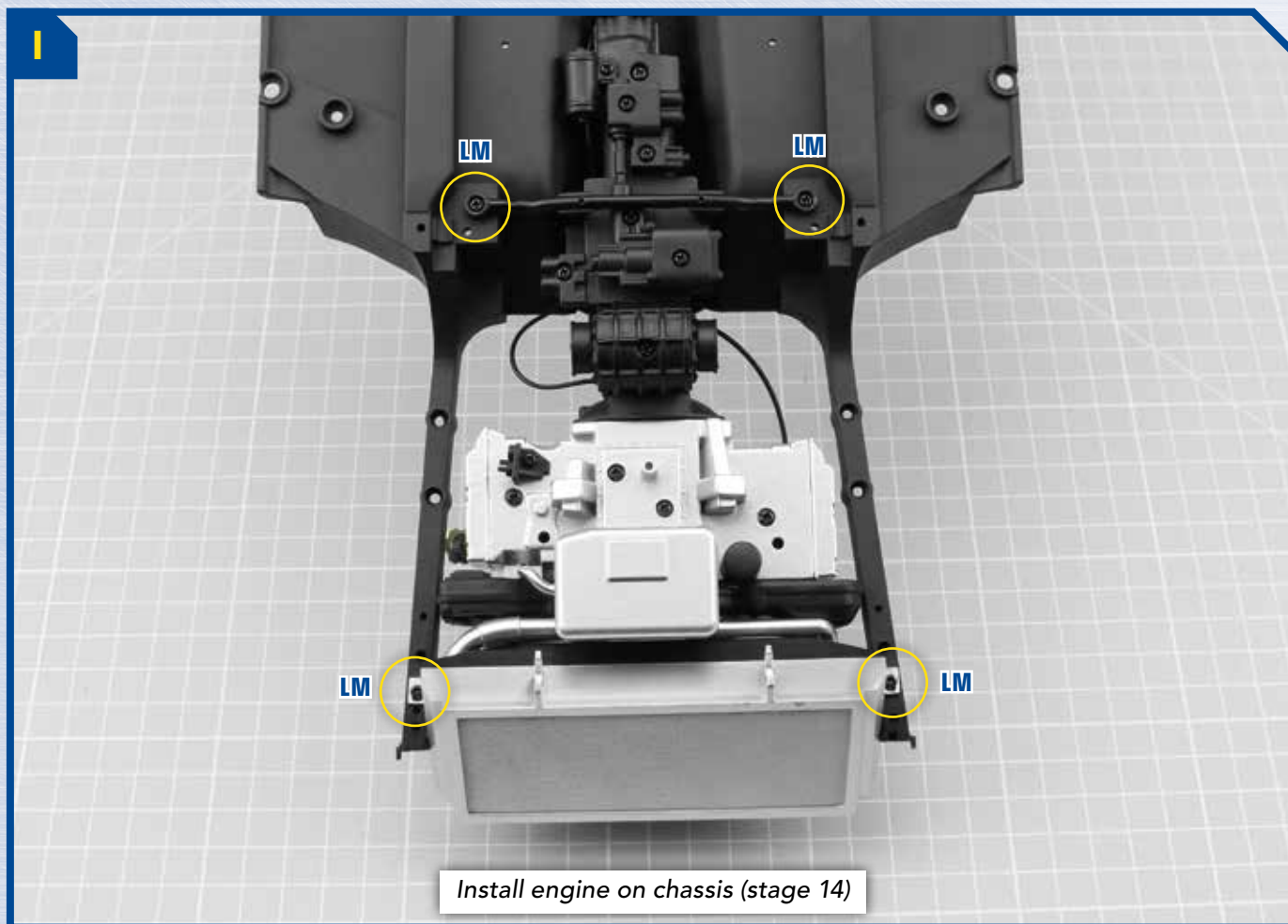


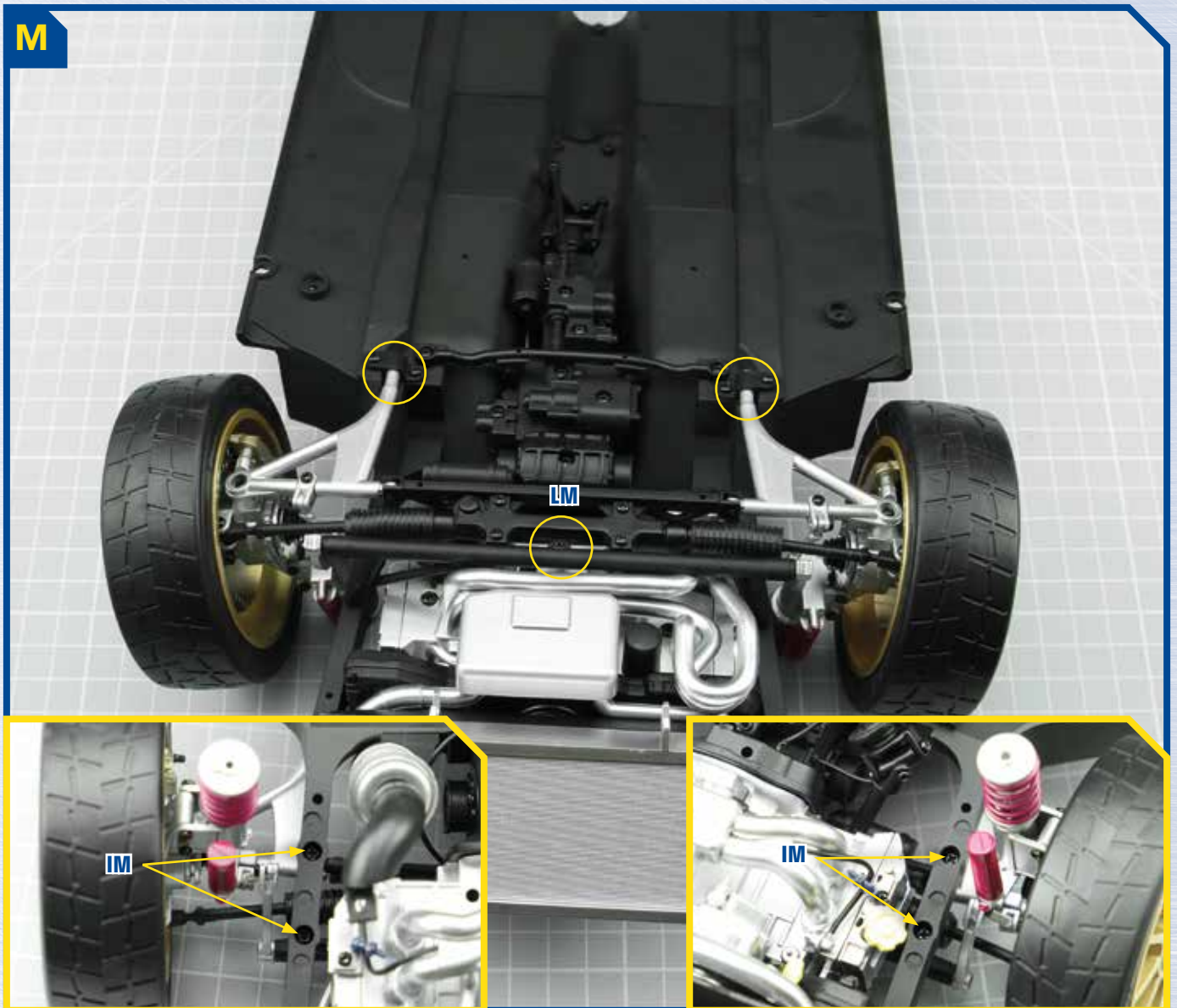
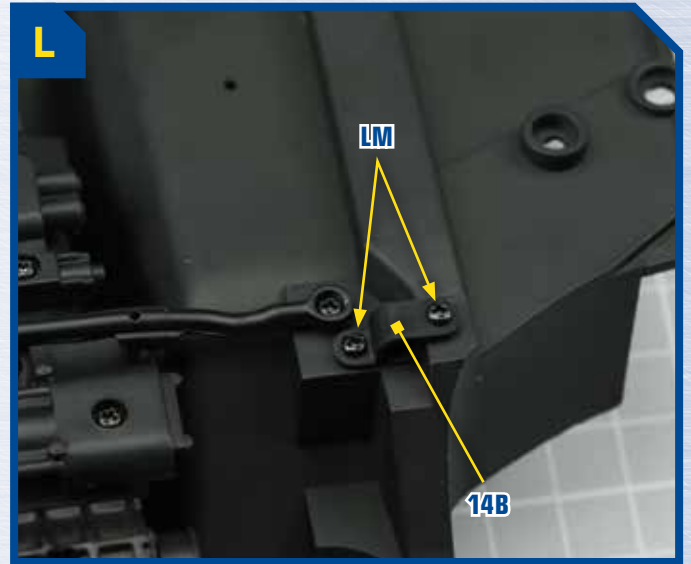
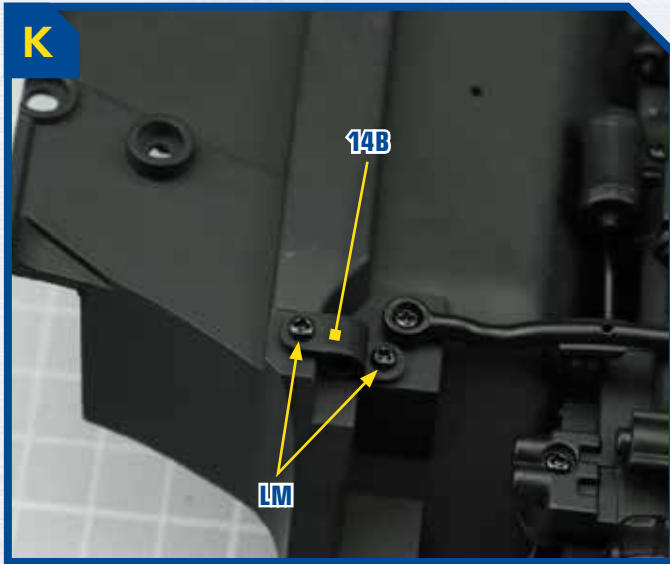
- | | | |
|---|------------------------------|-------------------------------|
| 20A Panel | 20G Tube 3 | DM 3 screws (1.7x3mm) |
| 20B Engine compartment front panel | 20H Tube 4 | EM 3 screws (2x5mm) |
| 20C Pipe connection part A | 20I Tube 5 | IM 16 screws (2.3x4mm) |
| 20D Pipe connection part B | EP 12 screws (2x5mm) | JM 6 screws (1.5x4mm) |
| 20E Tube 1 | HP 2 screws (1.5x4mm) | LM 12 screws (2x4mm) |
| 20F Tube 2 | | |



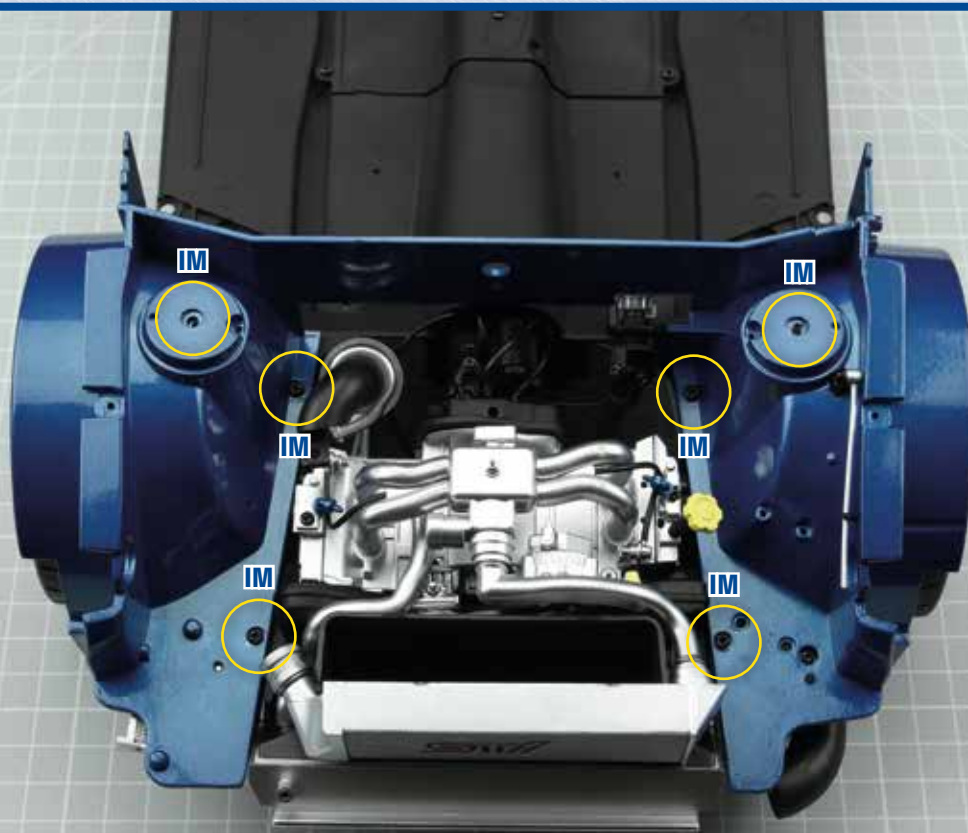






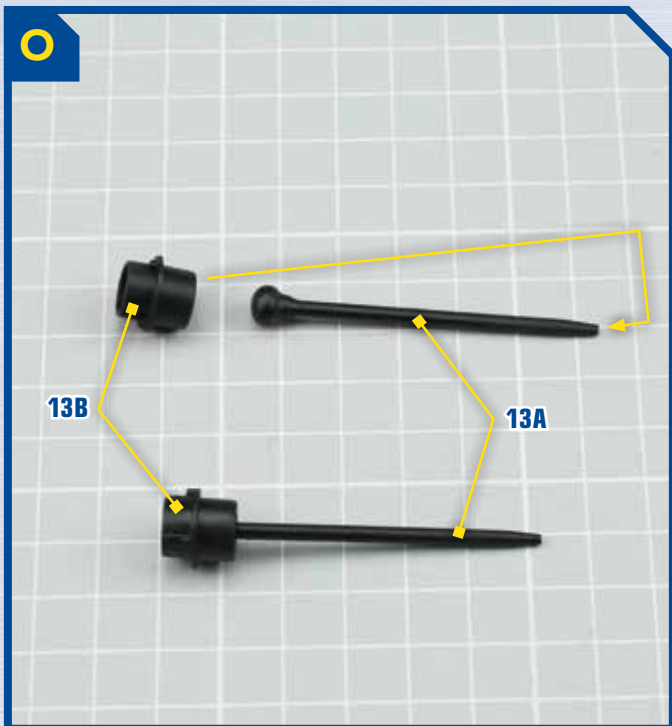


N

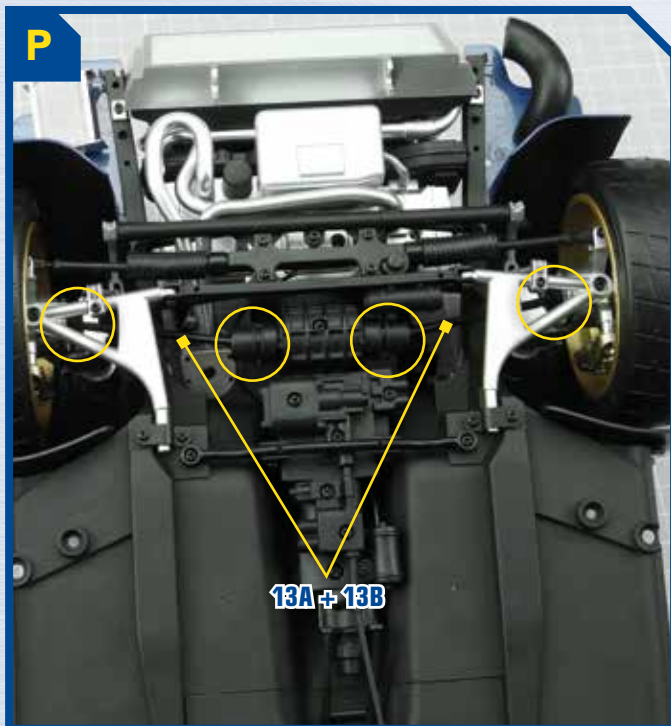


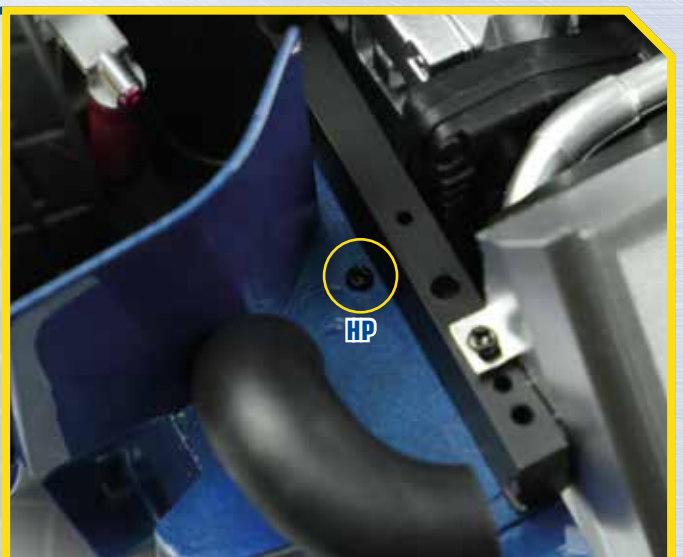
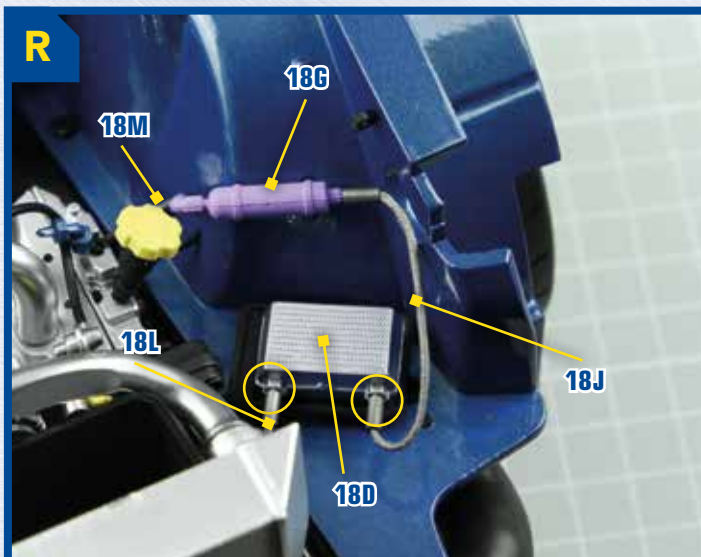
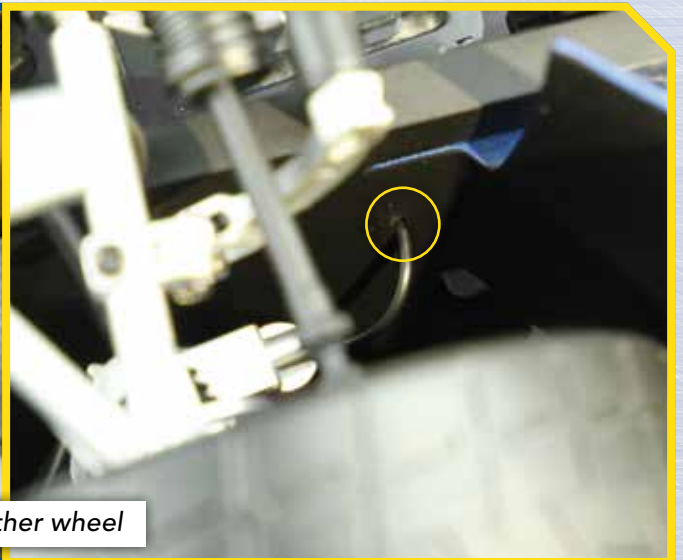
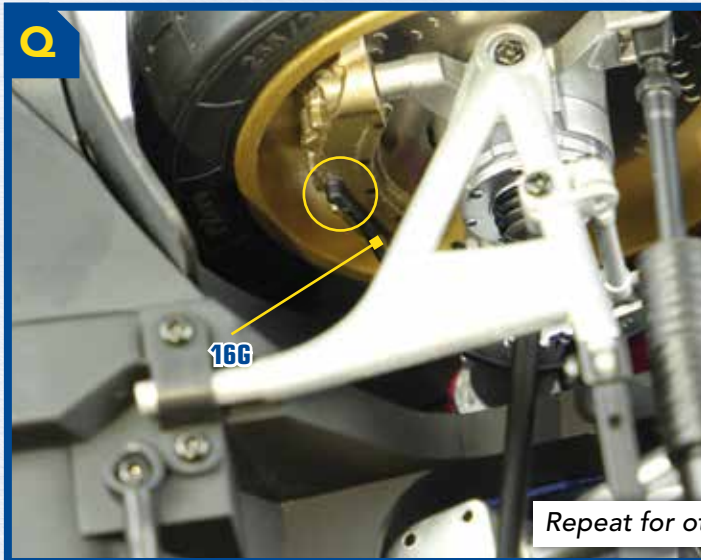
Install front mudguards on chassis

O

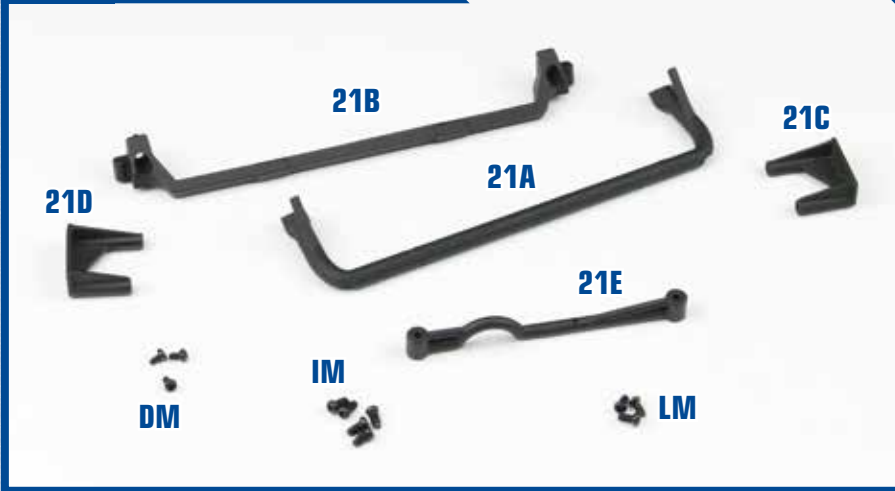


P



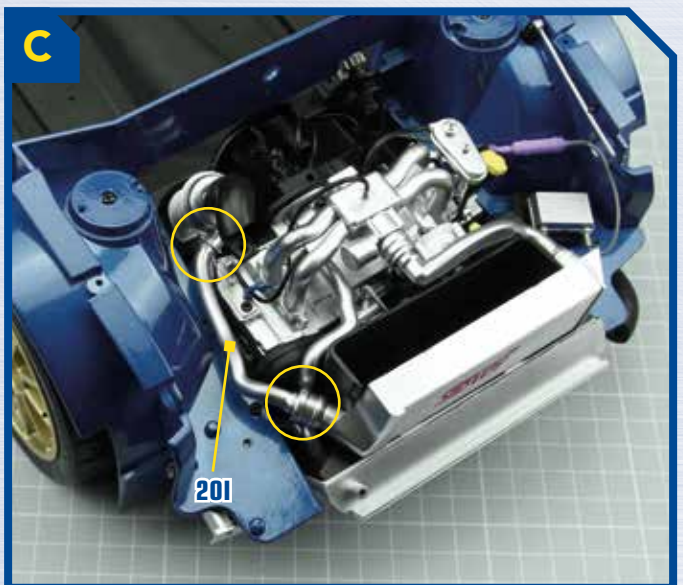
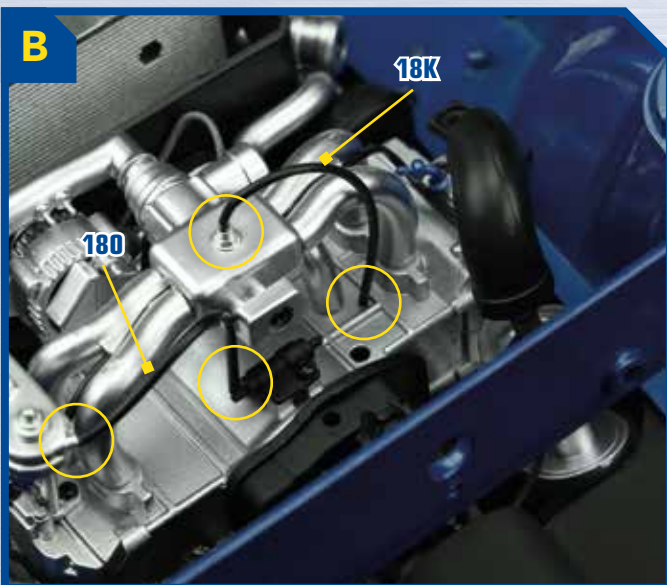
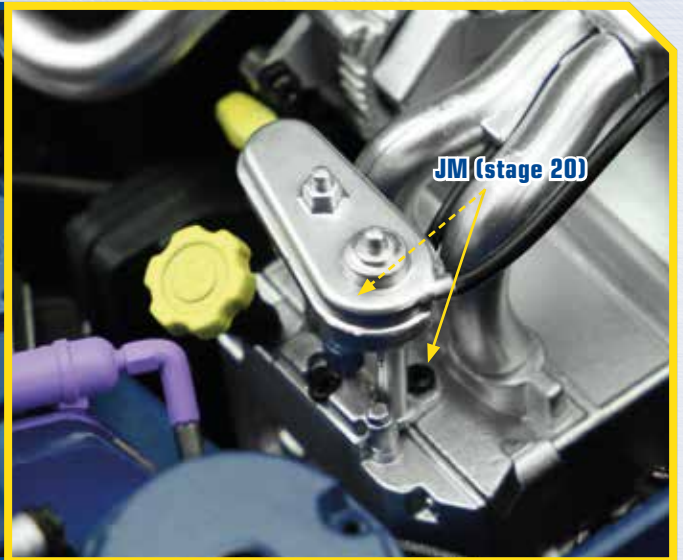
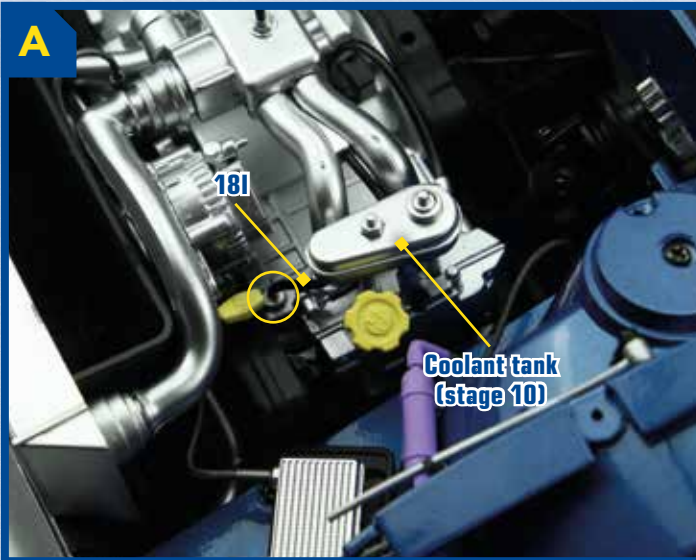


21 PARTS LIST

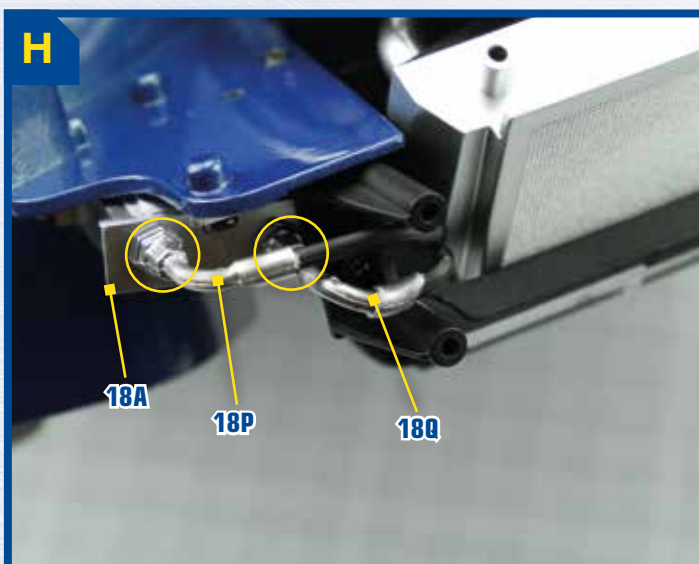
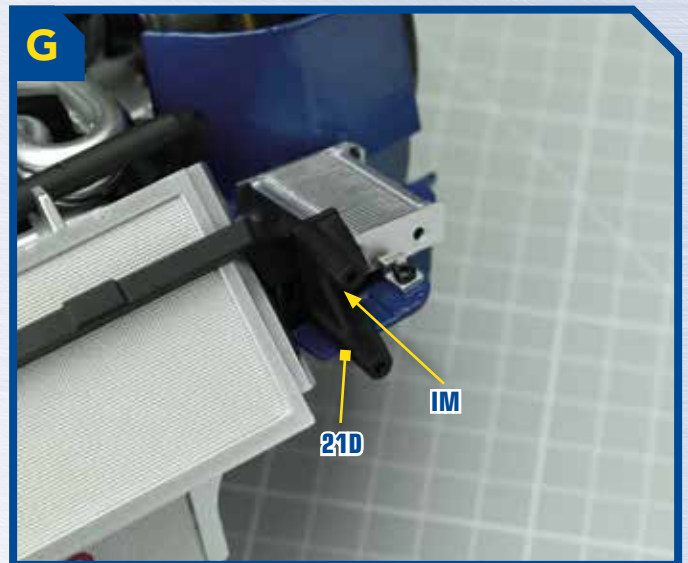
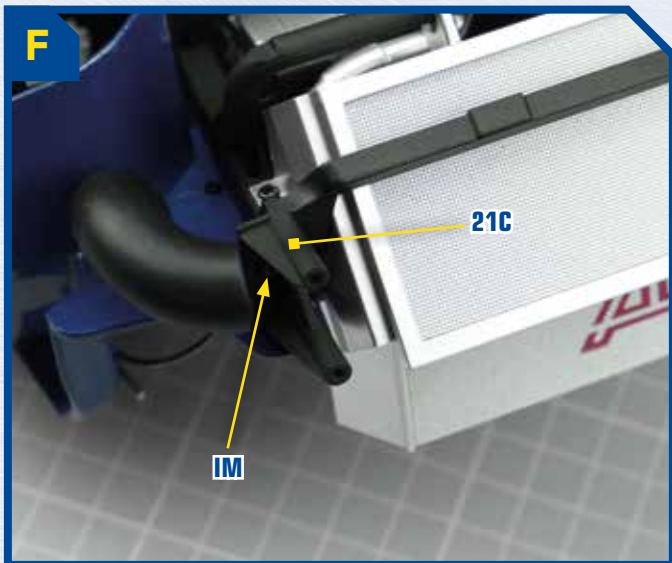
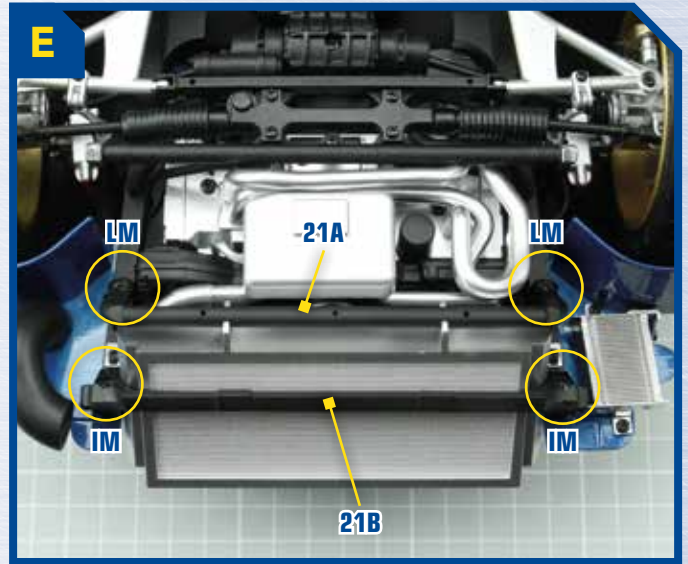
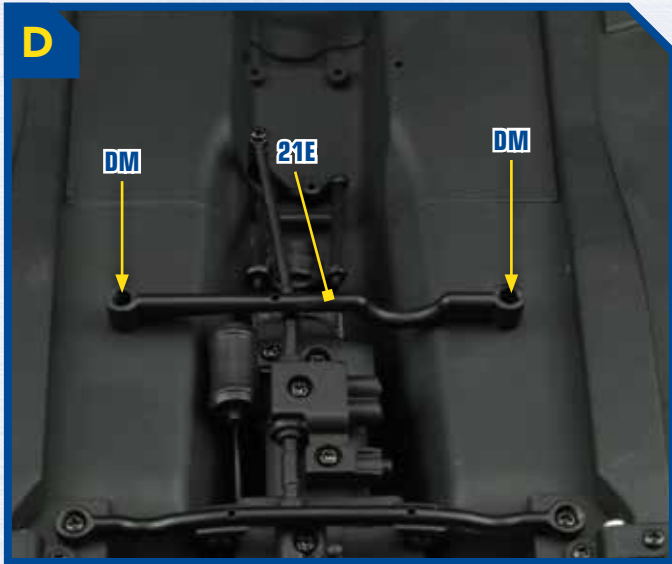


- 21A** Bracket 1
- 21B** Bracket 2
- 21C** Bumper support 1
- 21D** Bumper support 2
- 21E** Bracket 3

- DM** 3 screws (1.7x3mm)
- IM** 5 screws (2.3x4mm)
- LM** 3 screws (2x4mm)



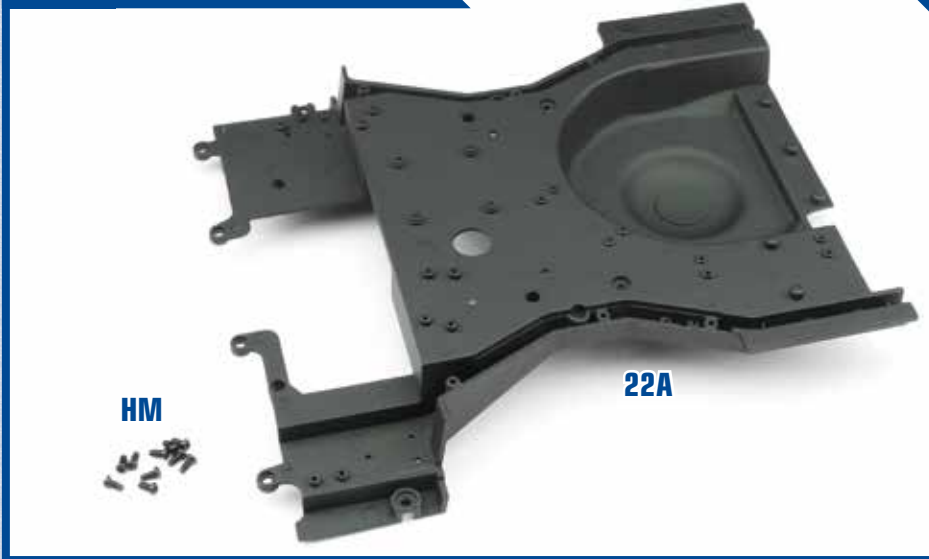
Step *bystep* #21



22 PARTS LIST

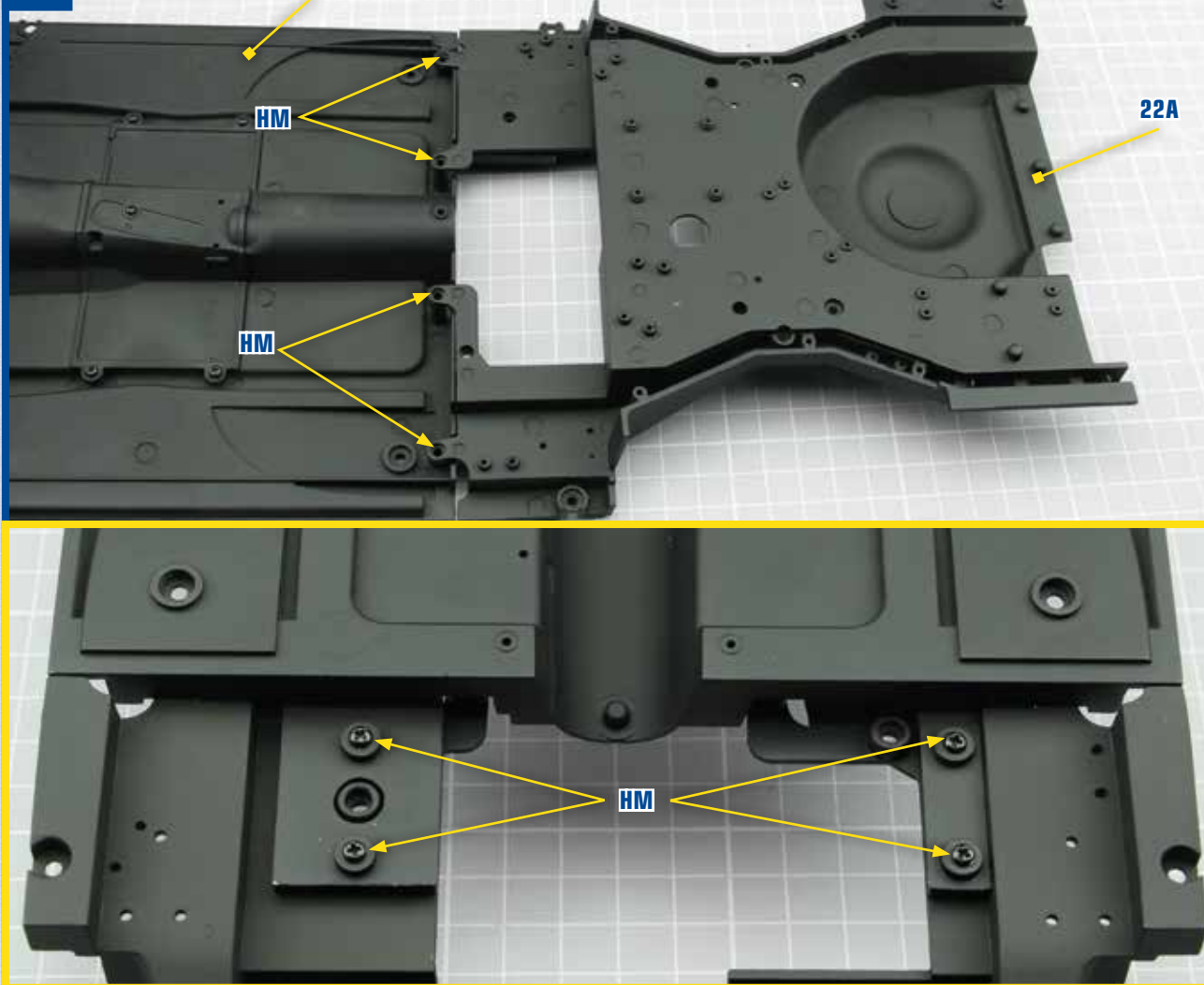
22A Chassis rear section

HM 10 screws (2.3x5mm)



A

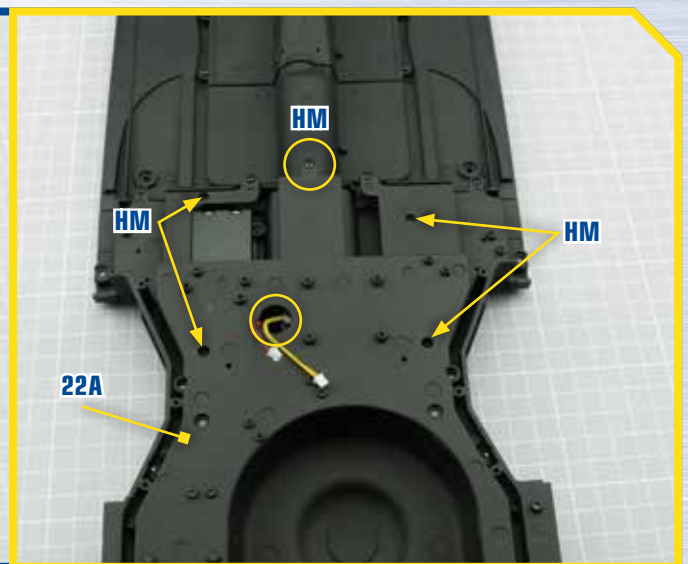
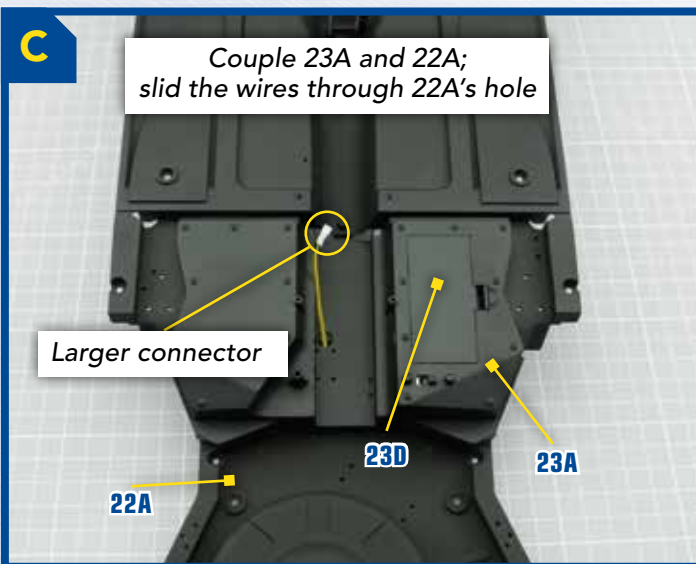
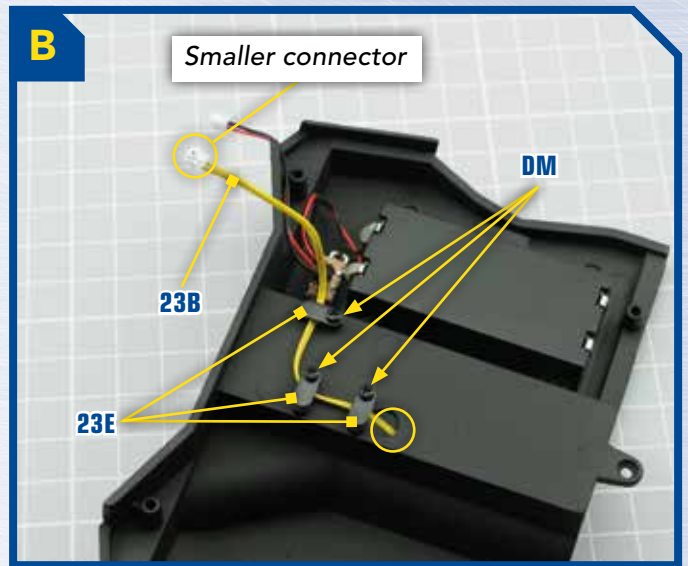
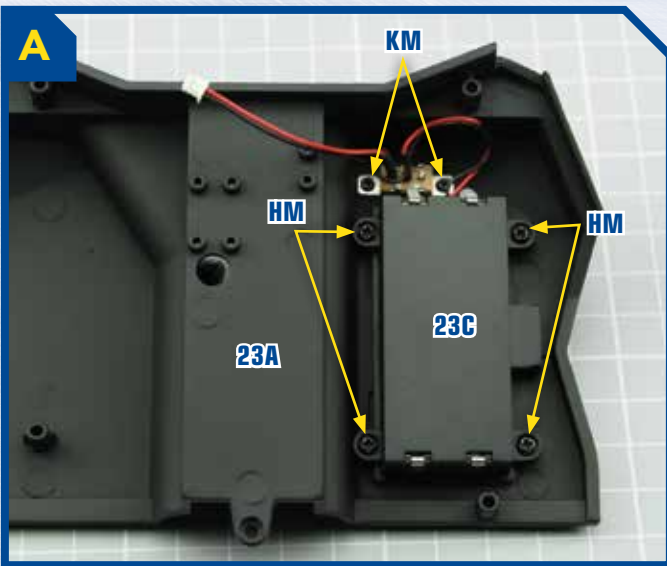
Chassis front section



23 PARTS LIST

- 23A** Chassis detail
- 23B** Wire
- 23C** Battery compartment
- 23D** Compartment cover
- 23E** Fairleads (x3)

- DM** 4 screws (1.7x3mm)
- HM** 11 screws (2.3x5mm)
- KM** 3 screws (1.5x3mm)



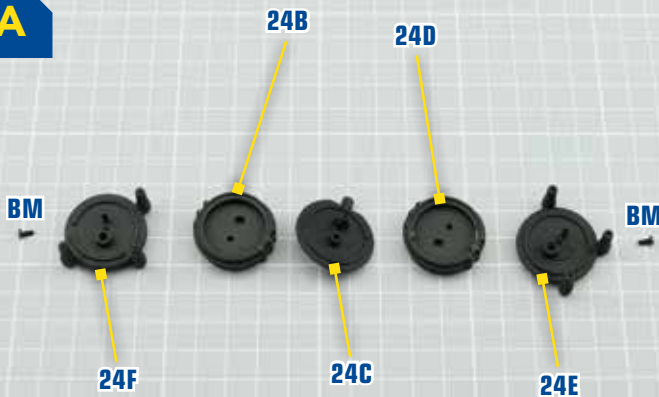
24 PARTS LIST



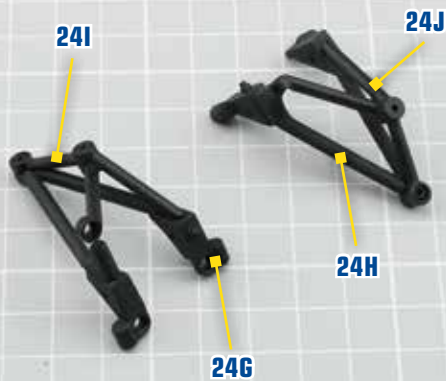
- 24A** Differential part A
- 24B** Differential part B
- 24C** Differential part C
- 24D** Differential part D
- 24E** Differential part E
- 24F** Differential part F
- 24G** Crossbeam 1
- 24H** Crossbeam 2
- 24I** Crossbeam 3
- 24J** Crossbeam 4

- BM** 3 screws (1.7x4mm)
- DM** 8 screws 1.7x3mm
- LM** 2 screws (2x4mm)

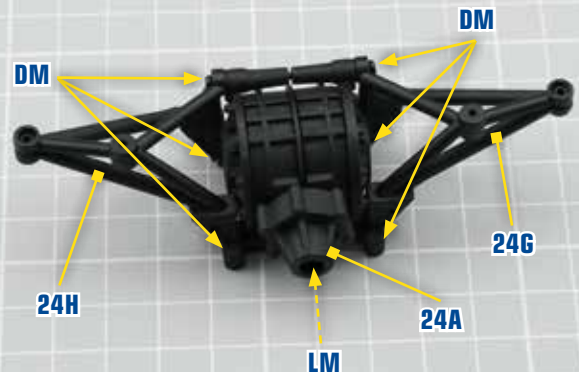
A



B



C

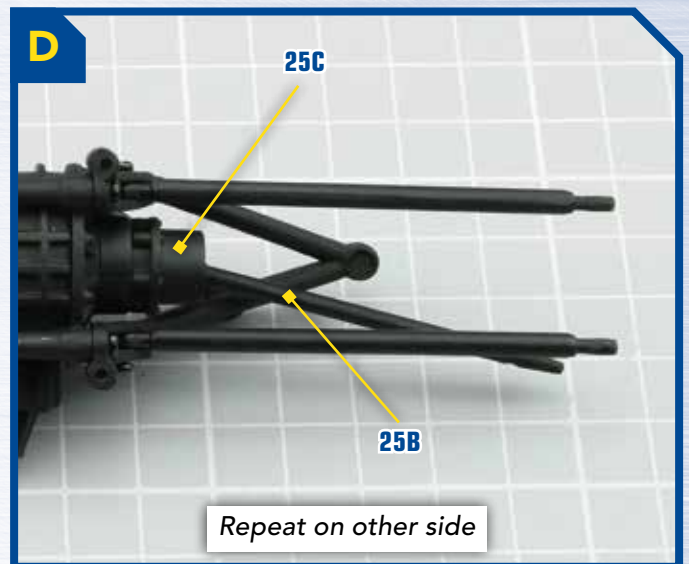
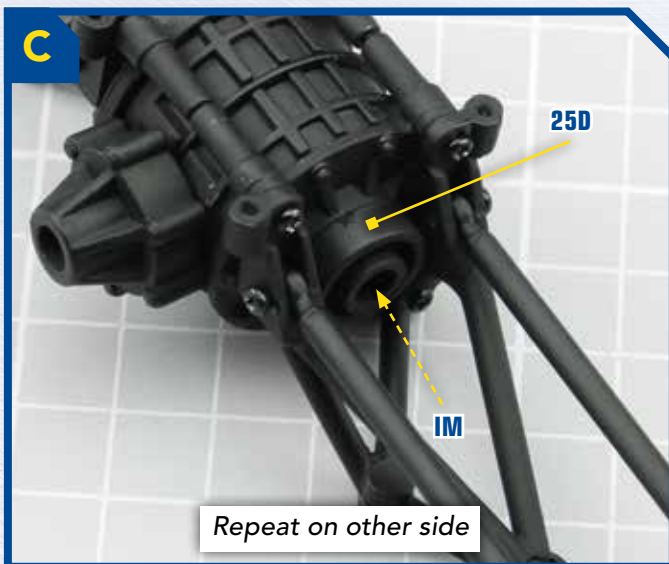
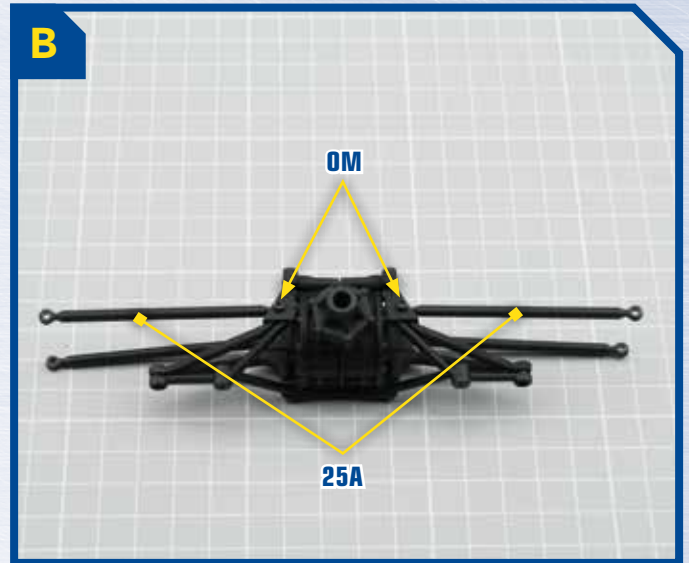
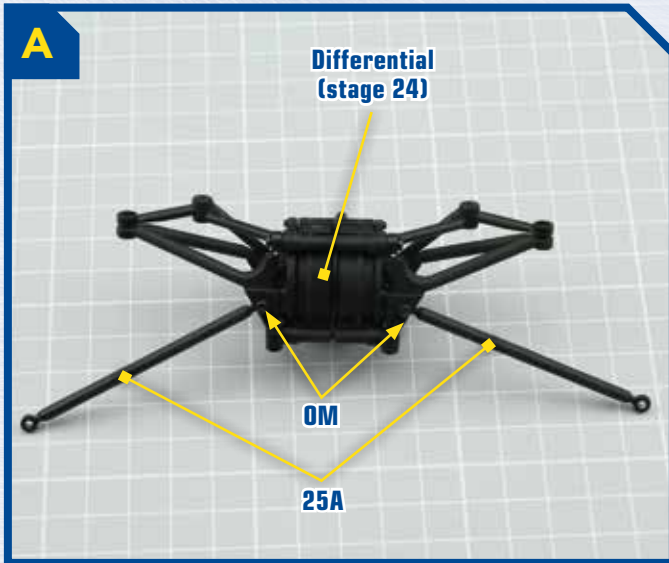


25 PARTS LIST

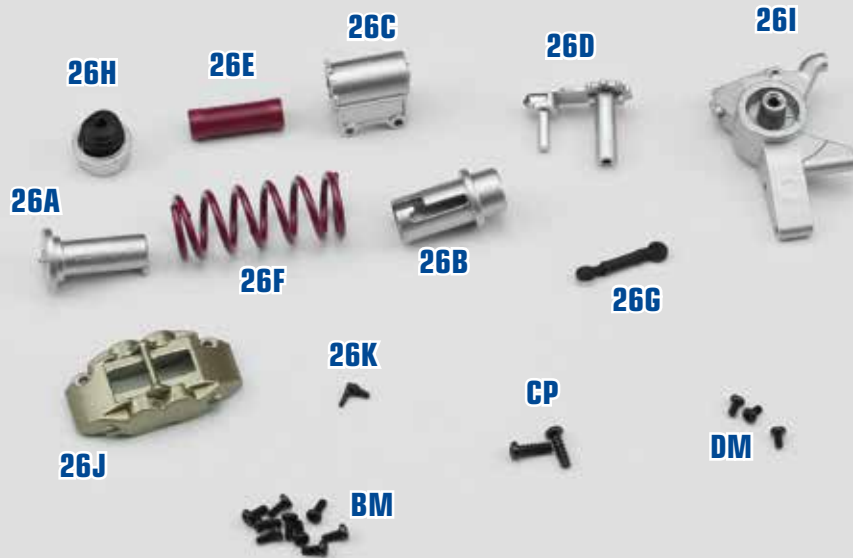


25A Suspensions links (x4)
25B Axle shafts (x2)
25C Shaft supports 1 (x2)
25D Shaft supports 2 (x2)

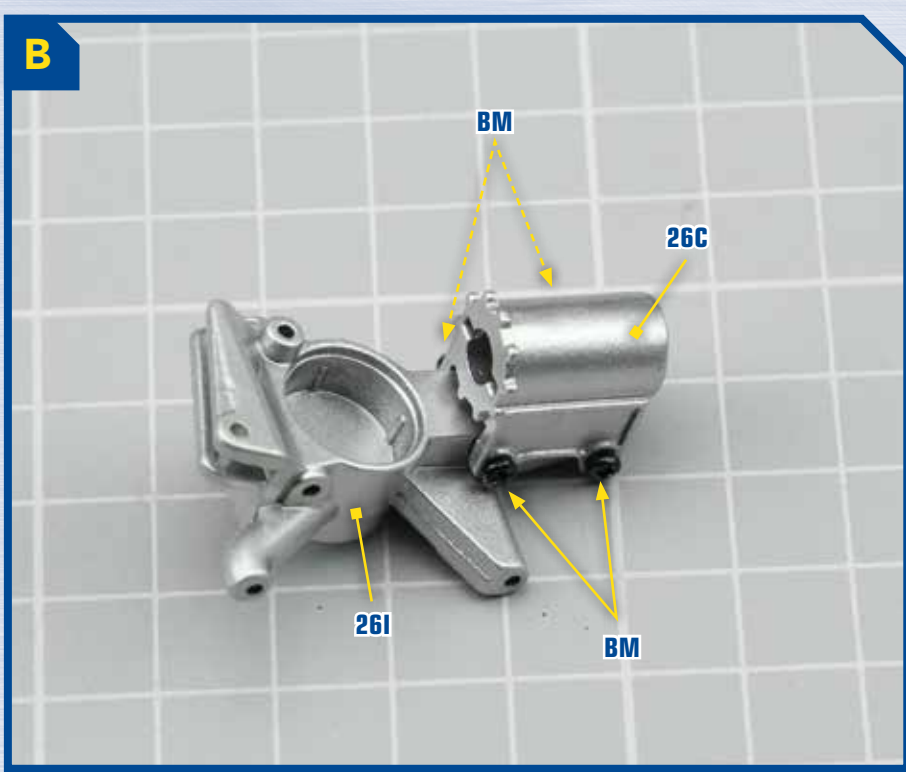
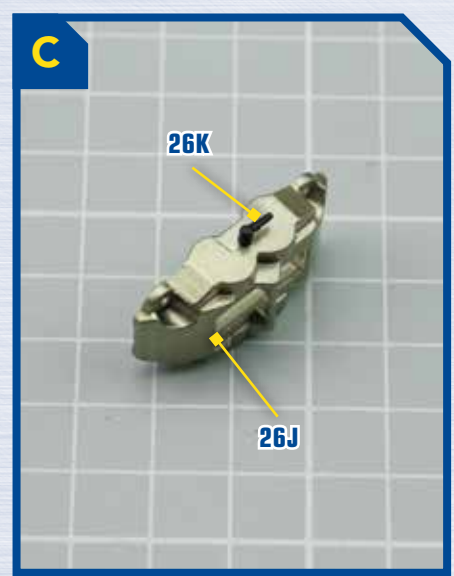
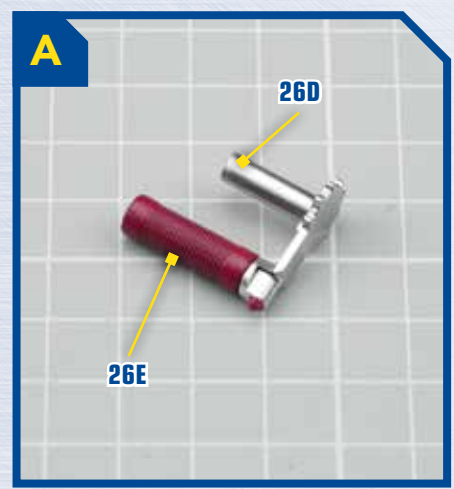
IM 3 screws (2.3x4mm)
OM 5 screws (1.7x5mm)

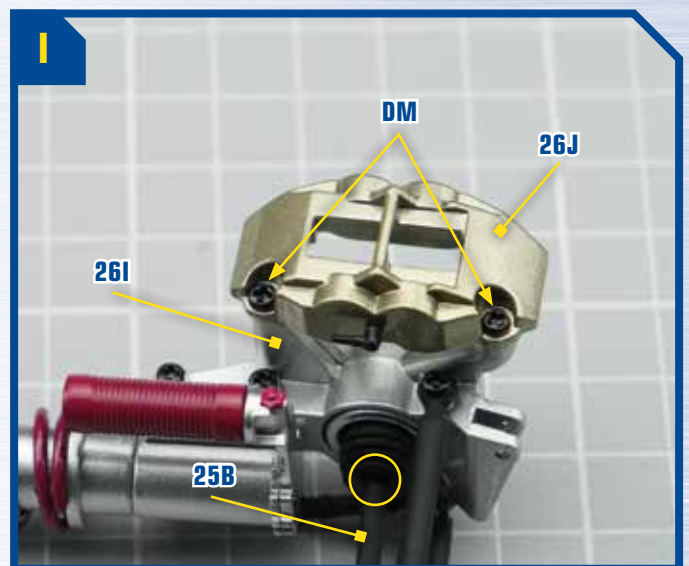
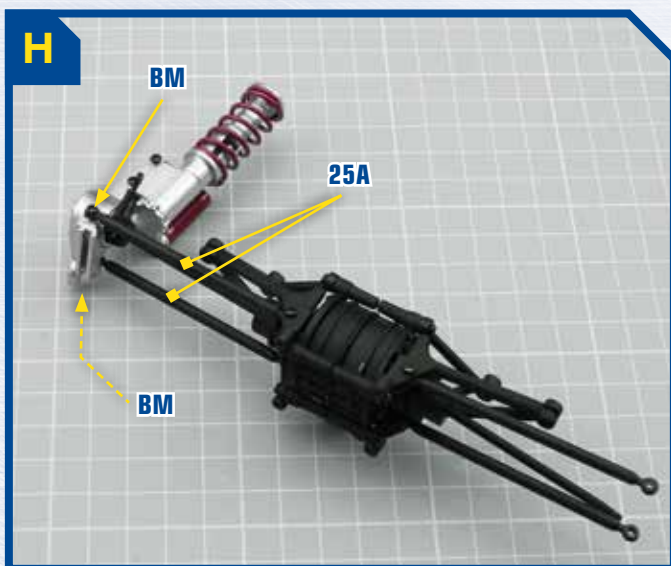
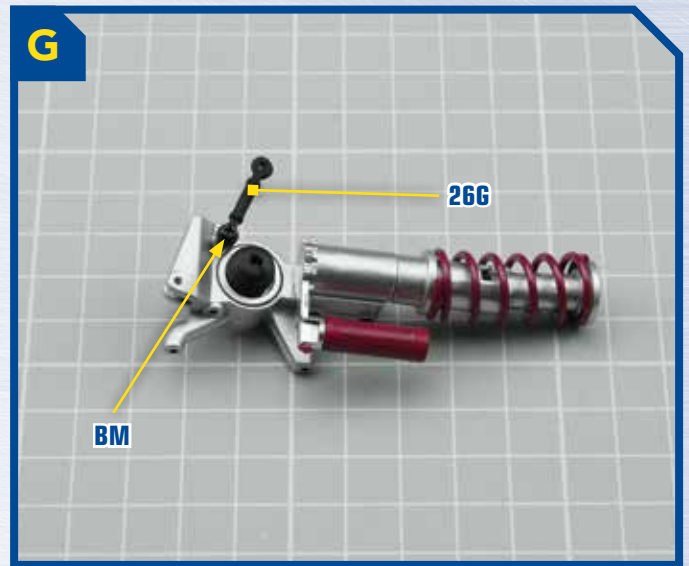
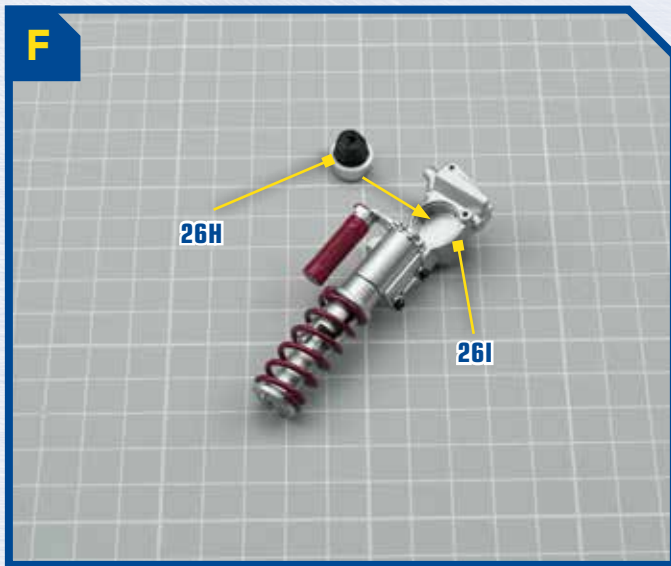
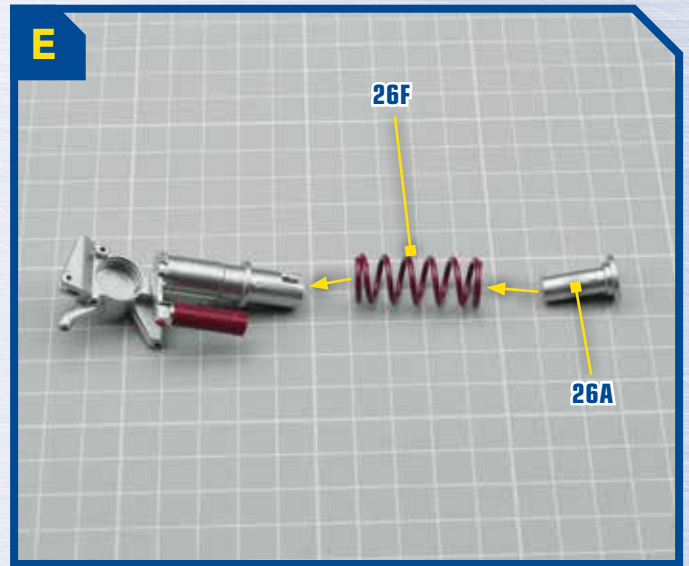
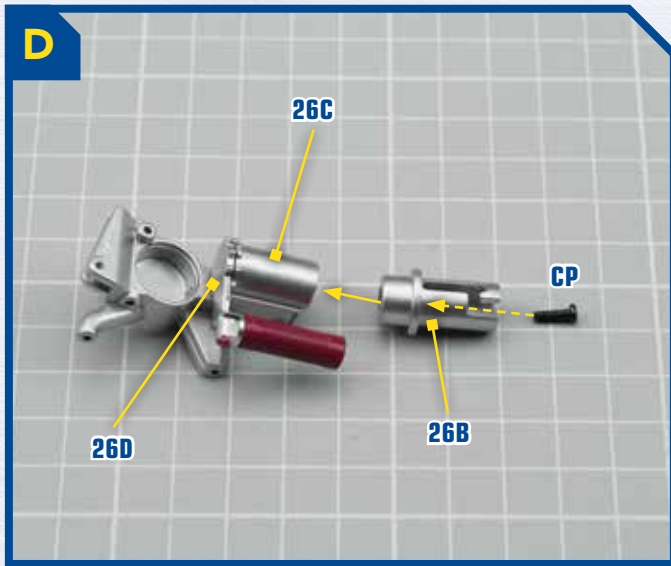


26 PARTS LIST



- | | |
|---------------------------|------------------------------|
| 26A Slewing ring | 26I Suspension body |
| 26B Base | 26J Brake caliper |
| 26C Support | 26K Caliper detail |
| 26D Bracket 1 | CP 2 screws (2.3x7mm) |
| 26E Shock absorber | BM 9 screws (1.7x4mm) |
| 26F Spring | DM 3 screws (1.7x3mm) |
| 26G Bracket 2 | |
| 26H Joint | |

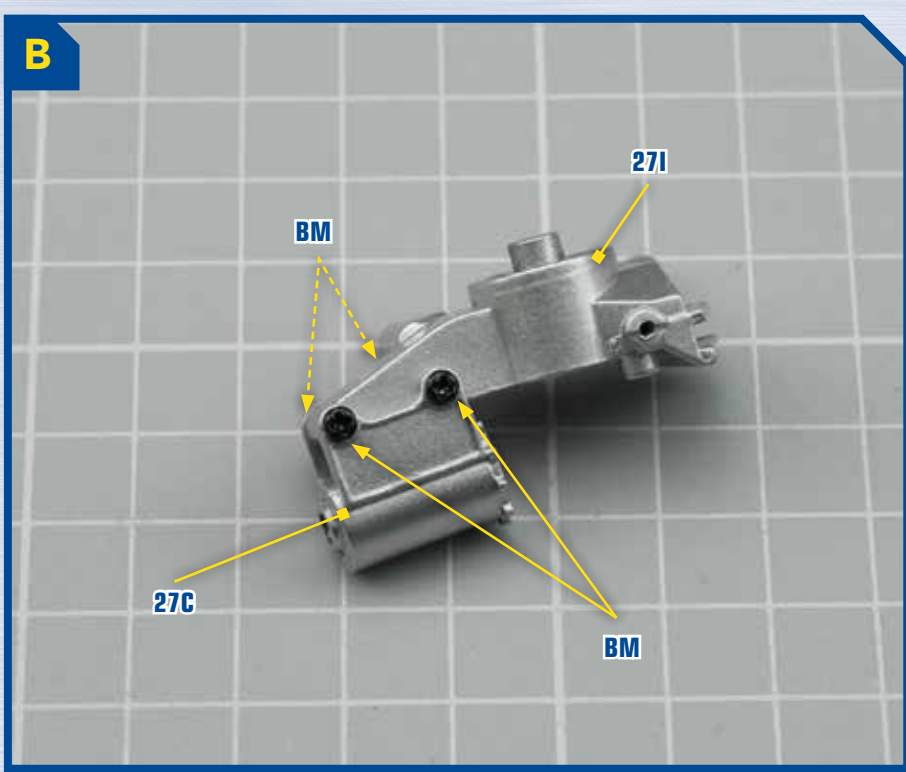
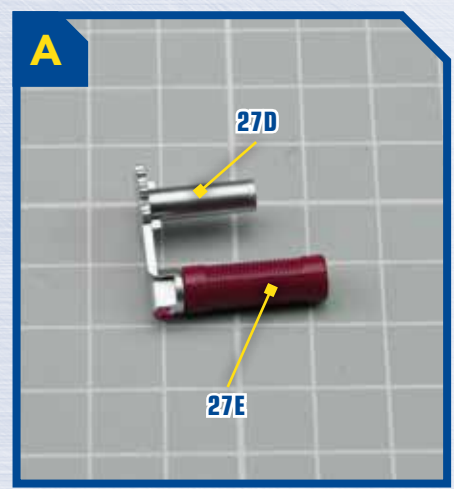




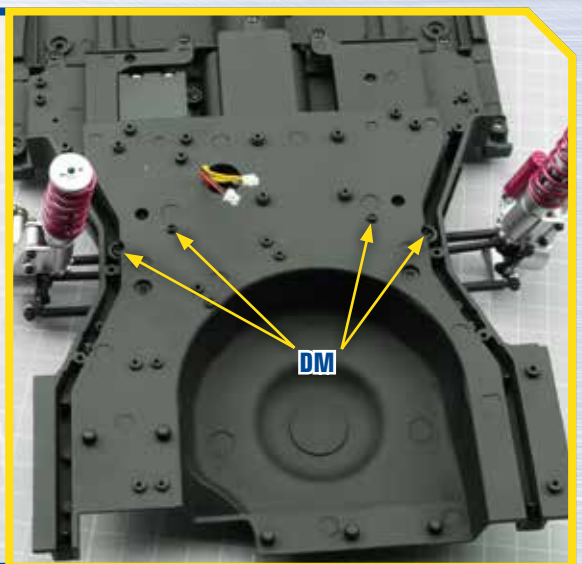
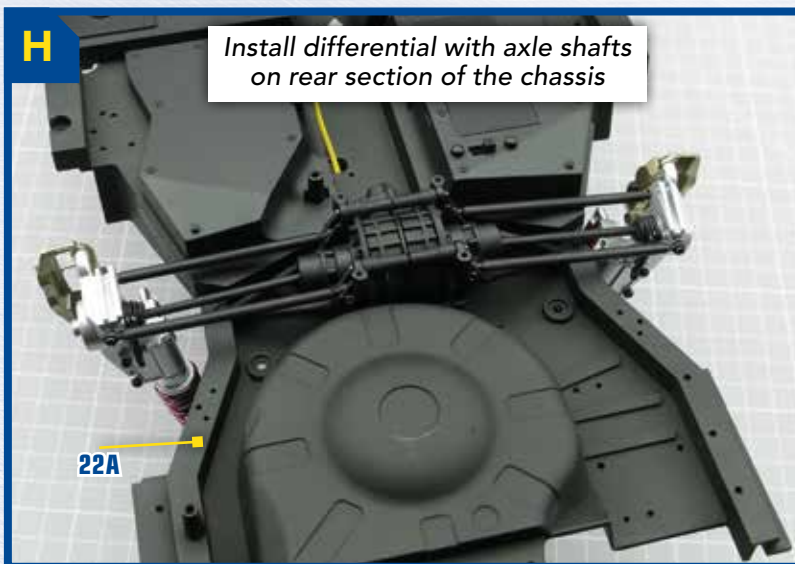
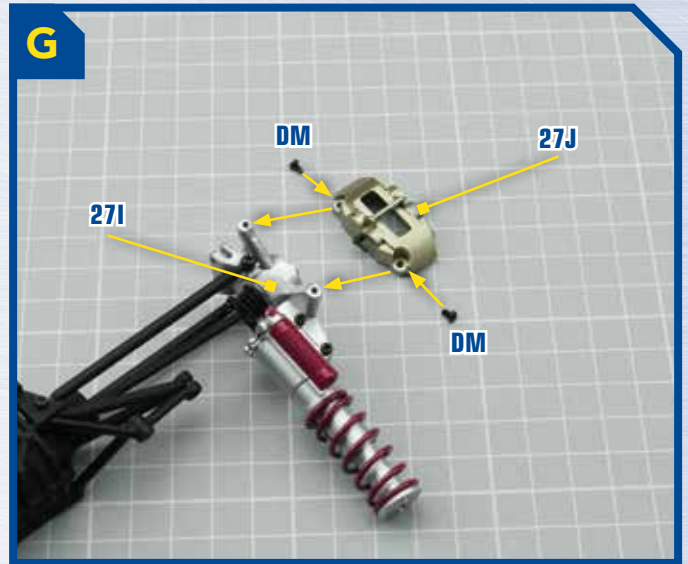
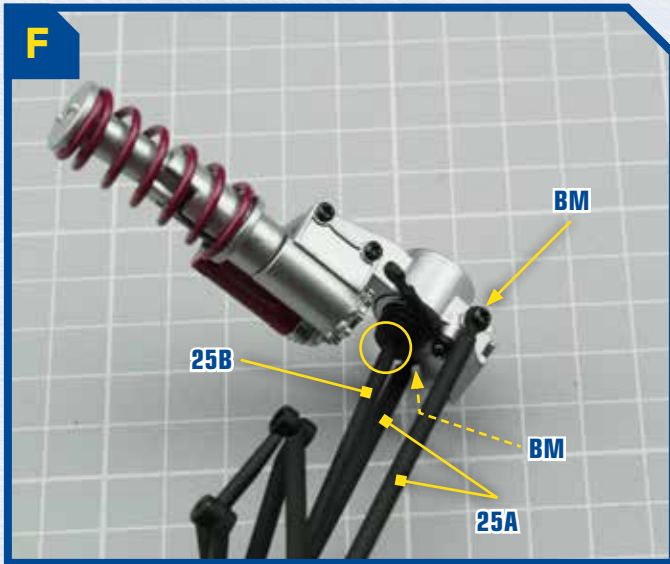
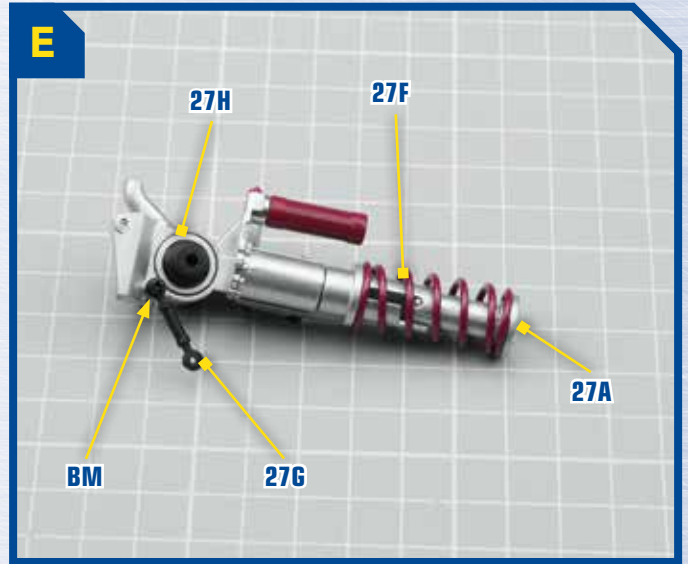
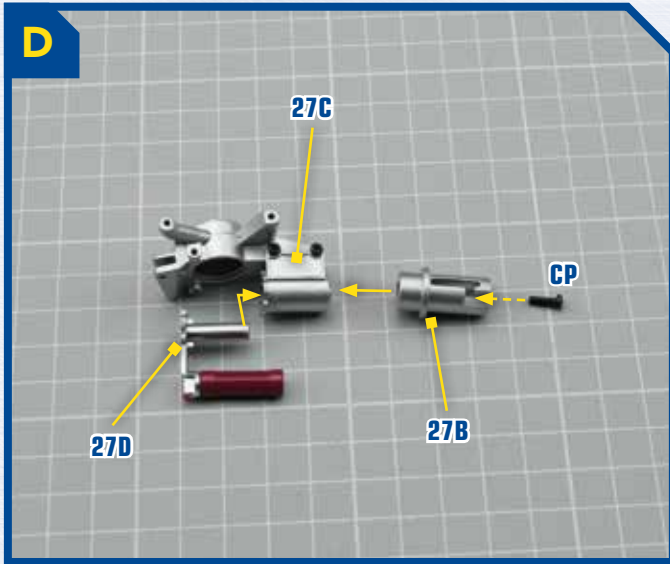
27 PARTS LIST



- | | |
|---------------------------|------------------------------|
| 27A Slewing ring | 27I Suspension body |
| 27B Base | 27J Brake caliper |
| 27C Support | 27K Caliper detail |
| 27D Bracket 1 | CP 2 screws (2.3x7mm) |
| 27E Shock absorber | BM 9 screws (1.7x4mm) |
| 27F Spring | DM 8 screws (1.7x3mm) |
| 27G Bracket 2 | |
| 27H Joint | |



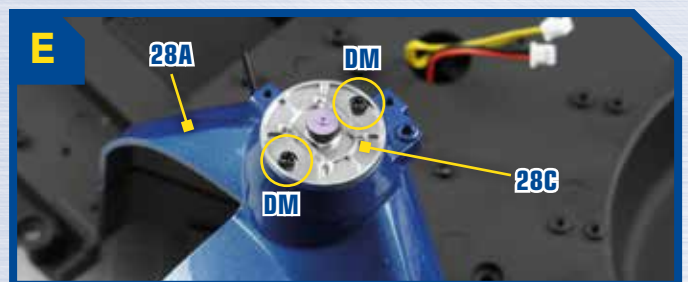
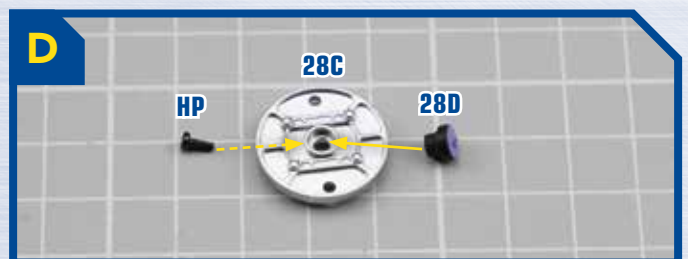
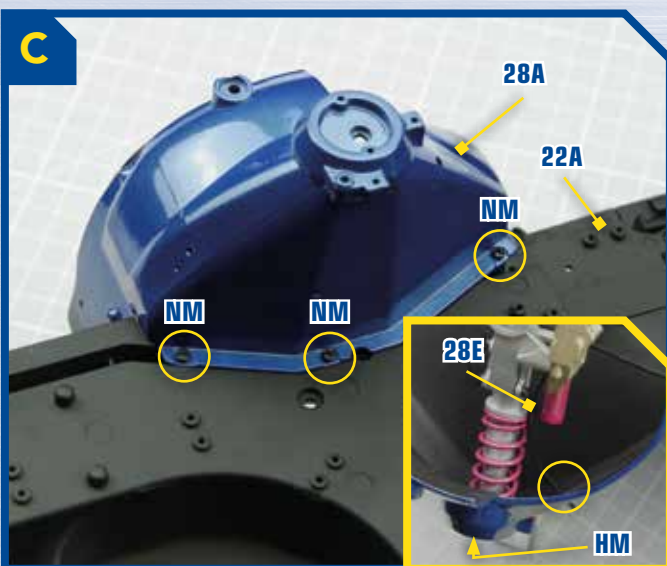
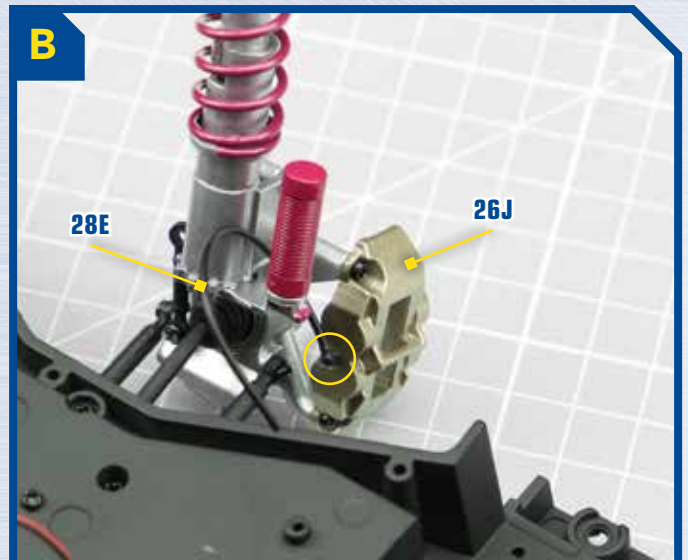
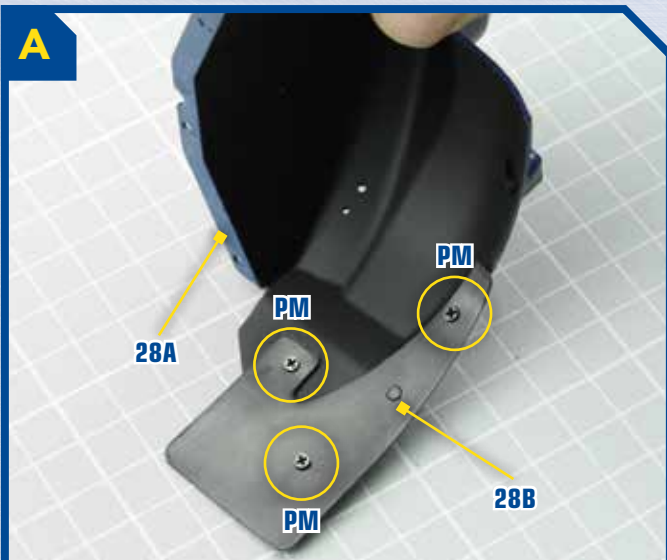
Step *by* step #27



28 PARTS LIST

- 28A** Rear mudguard (L)
- 28B** Mudflap
- 28C** Strut
- 28D** Knob
- 28E** Tube

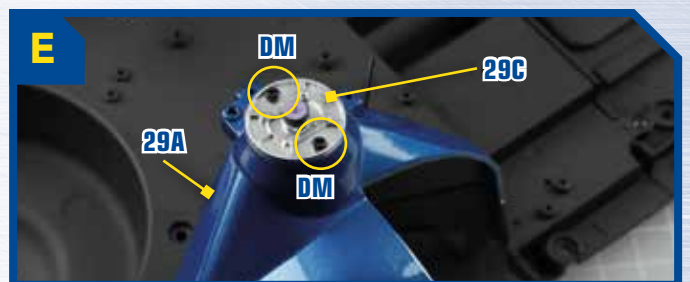
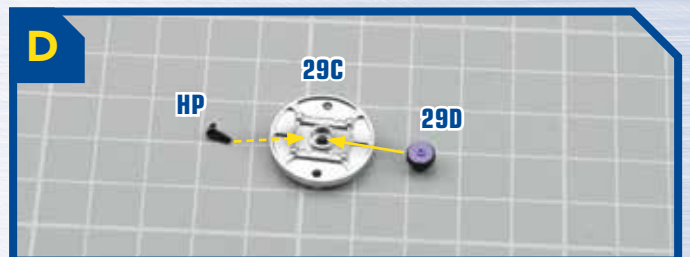
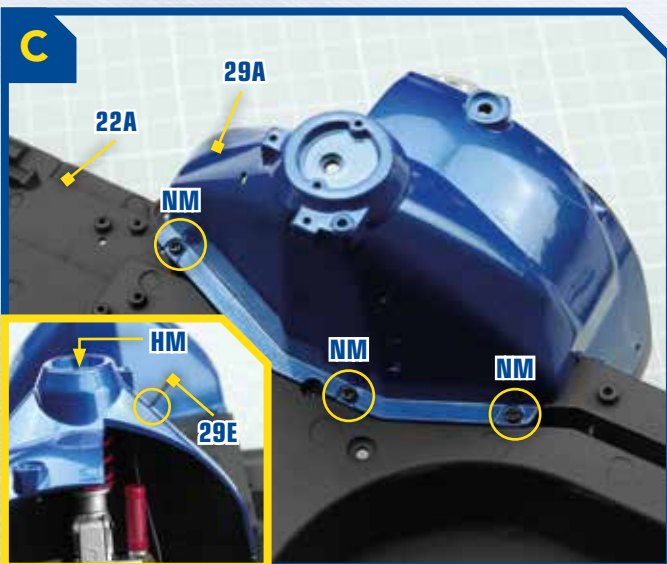
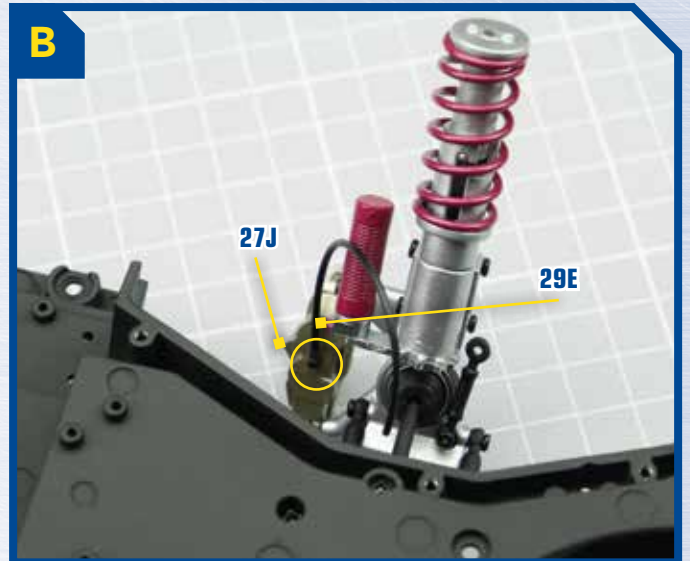
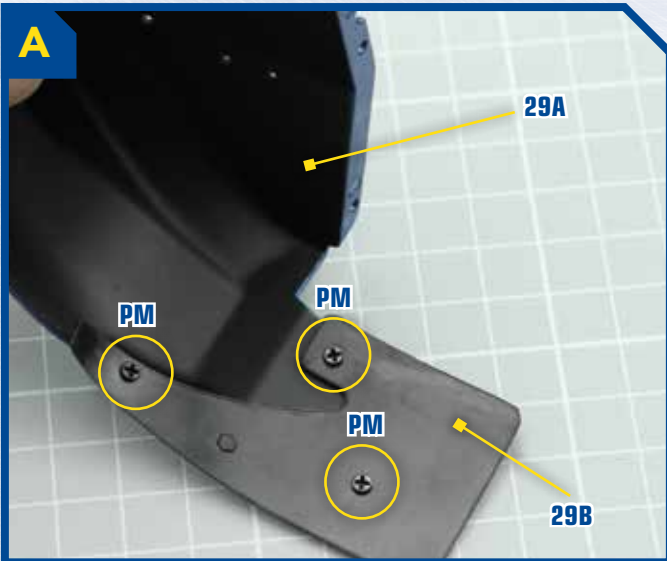
- HP** 2 screws (1.5x4mm)
- DM** 3 screws (1.7x3mm)
- HM** 2 screws (2.3x5mm)
- NM** 4 screws (2x3mm)
- PM** 4 screws (1.7x3.5mm)



29 PARTS LIST

- 29A** Rear mudguard (R)
- 29B** Mudflap
- 29C** Strut
- 29D** Knob
- 29E** Tube

- HP** 2 screws (1.5x4mm)
- DM** 3 screws (1.7x3mm)
- HM** 2 screws (2.3x5mm)
- NM** 4 screws (2x3mm)
- PM** 4 screws (1.7x3.5mm)



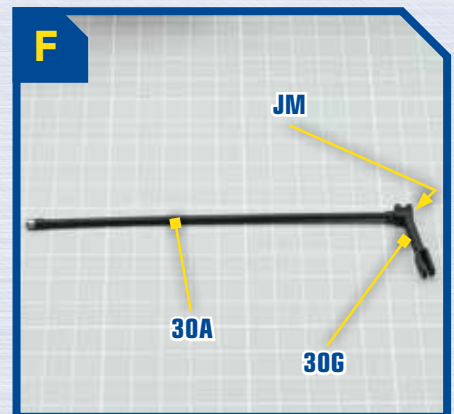
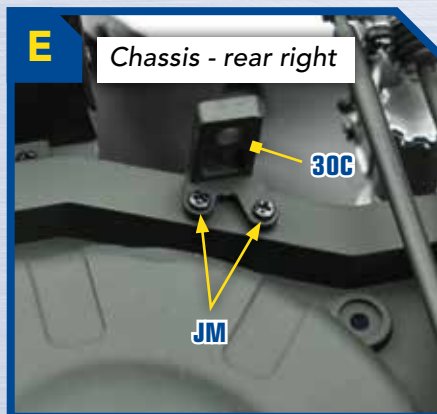
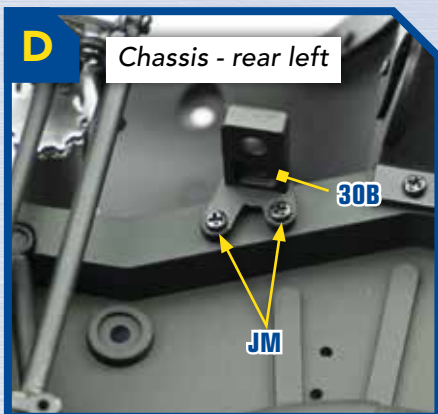
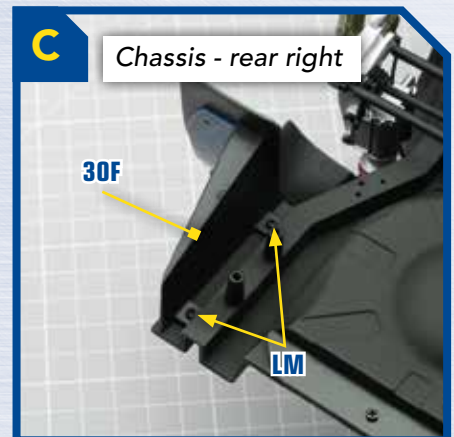
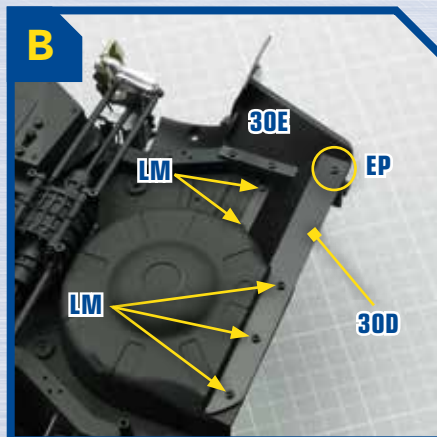
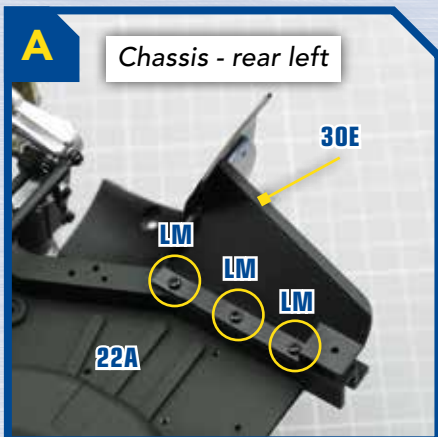
30 PARTS LIST



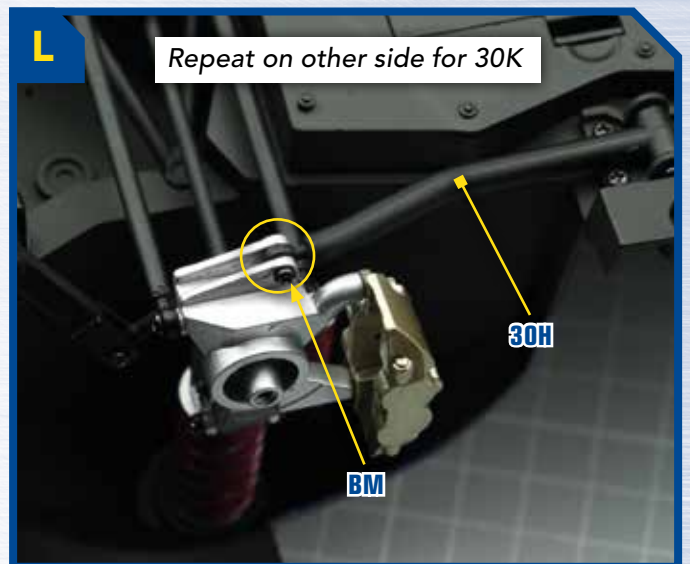
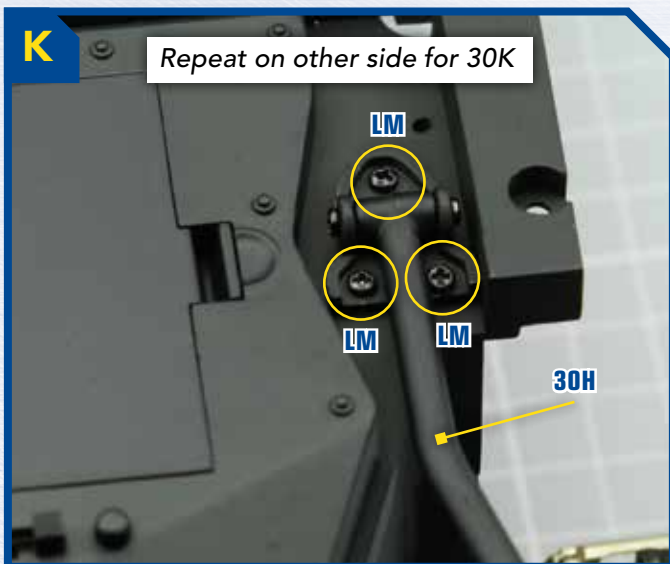
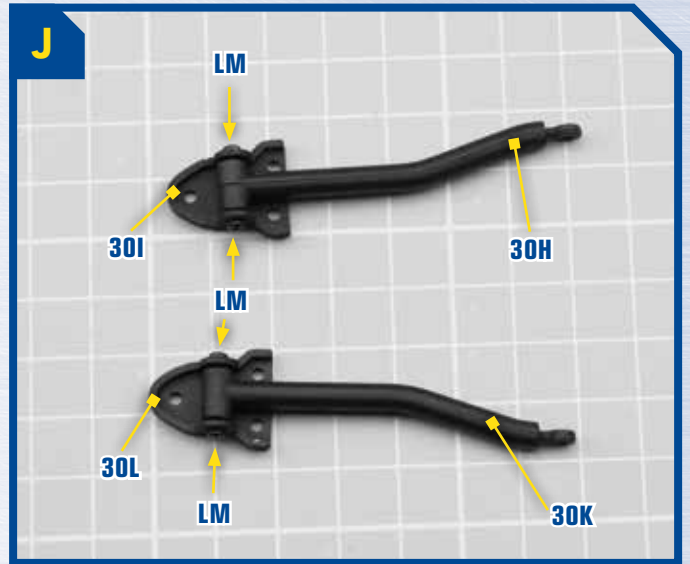
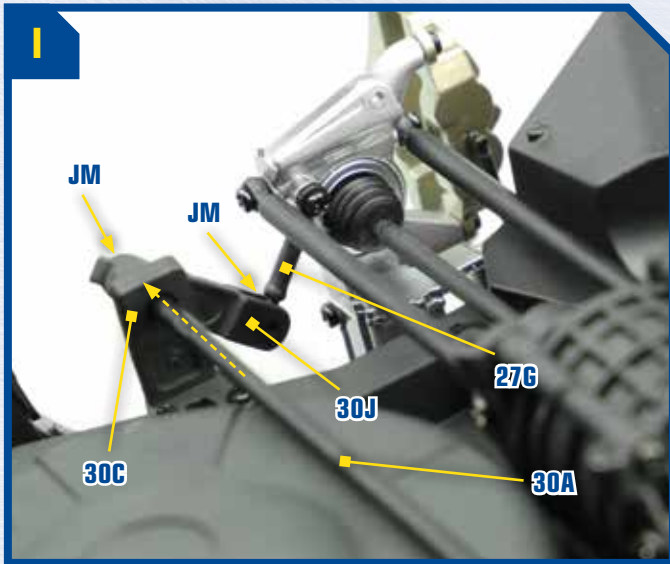
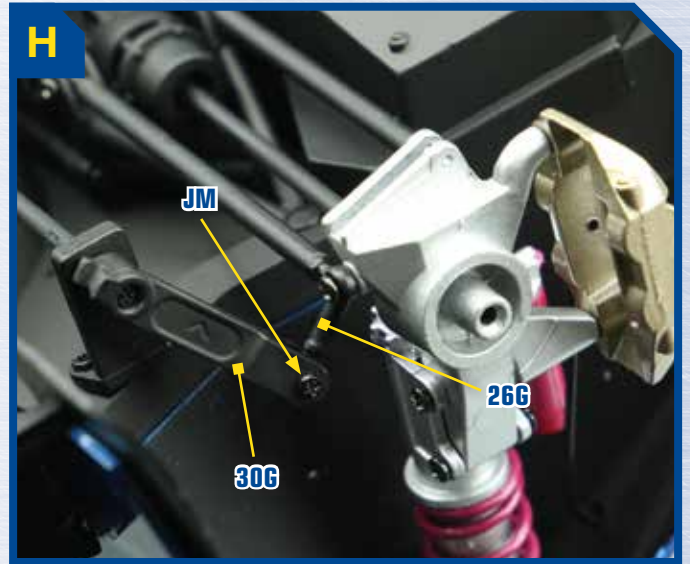
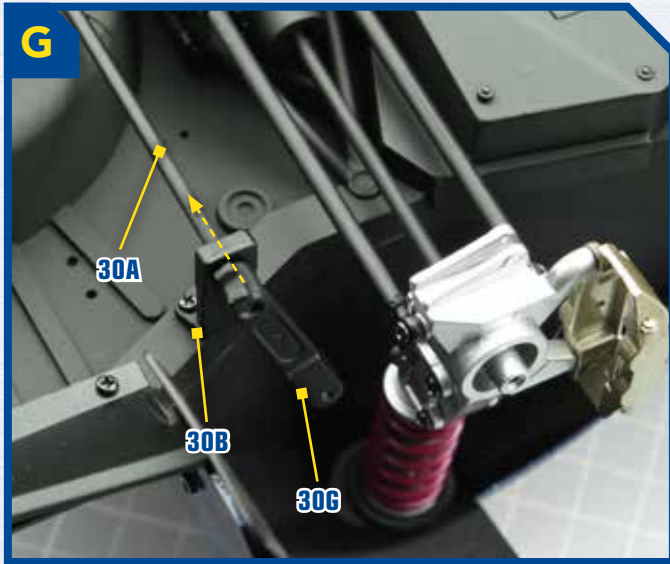
- 30A** Anti-roll bar
- 30B** Bracket 1 (L)
- 30C** Bracket 2 (R)
- 30D** Panel 1
- 30E** Panel 2
- 30F** Panel 3

- 30G** Fork 1 (L)
- 30H** Suspensions link 1 (L)
- 30I** Bracket 3 (L)
- 30J** Fork 2 (R)
- 30K** Suspensions link 2 (R)
- 30L** Bracket 4 (R)

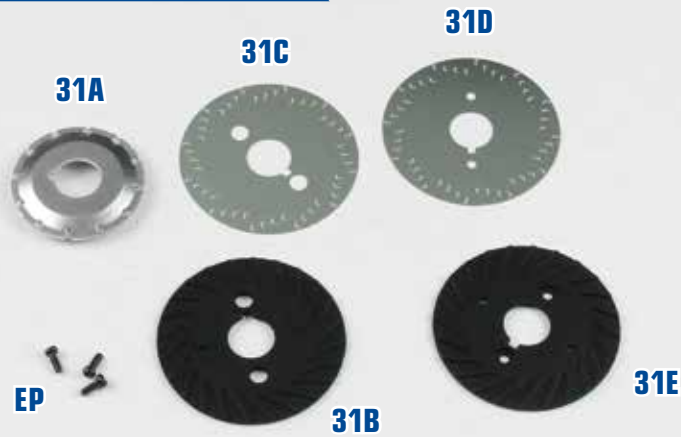
- EP** 2 screws (2x5mm)
- BM** 3 screws (1.7x4mm)
- JM** 10 screws (1.5x4mm)
- LM** 24 screws (2x4mm)



Step *by* step #30

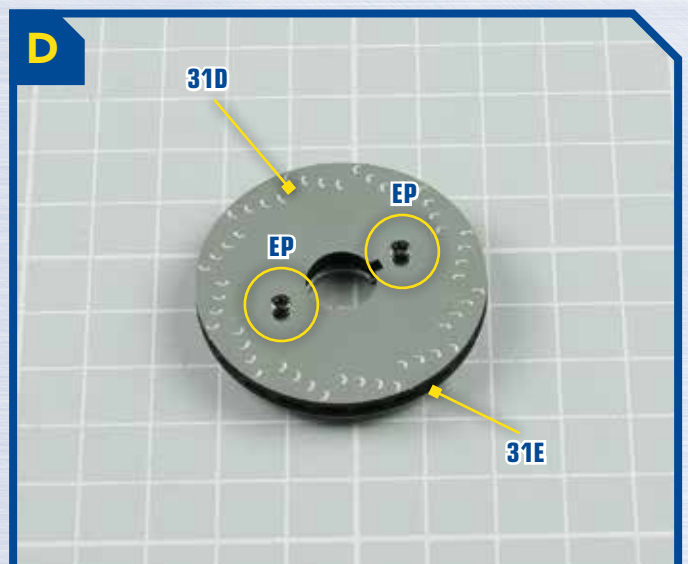
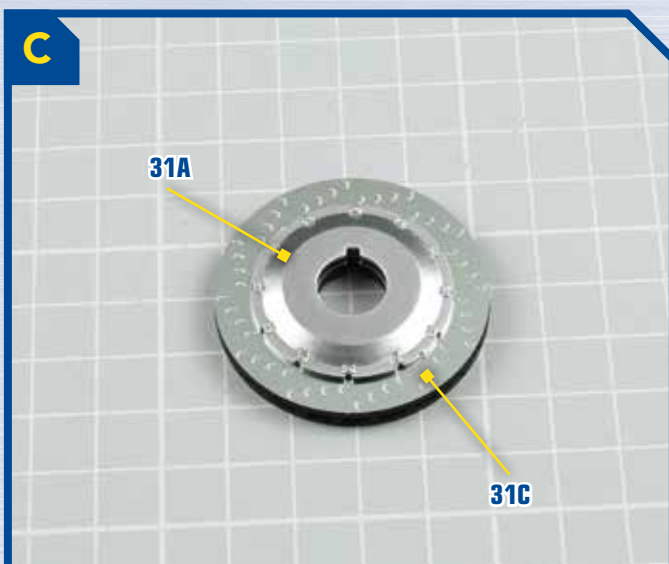
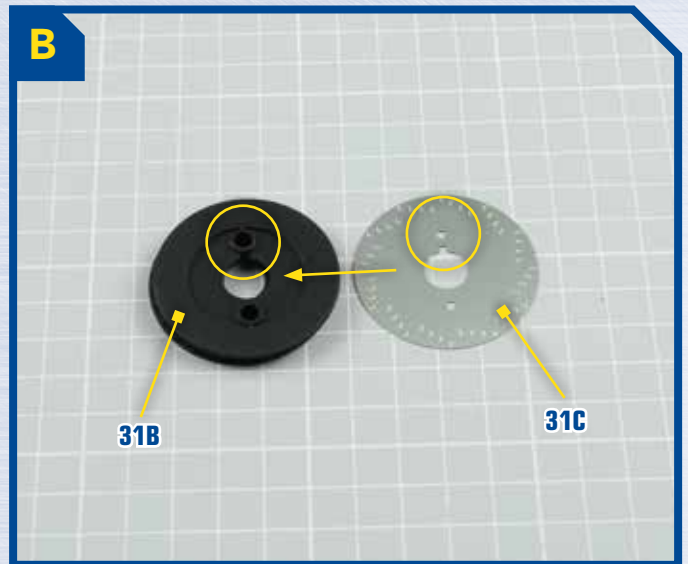
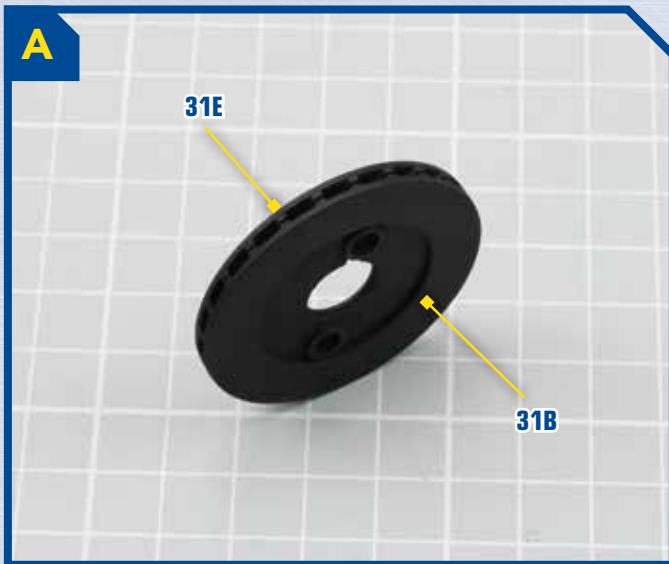


31 PARTS LIST



- 31A** Disc 1
- 31B** Disc 2
- 31C** Disc 3
- 31D** Disc 4
- 31E** Disc 5

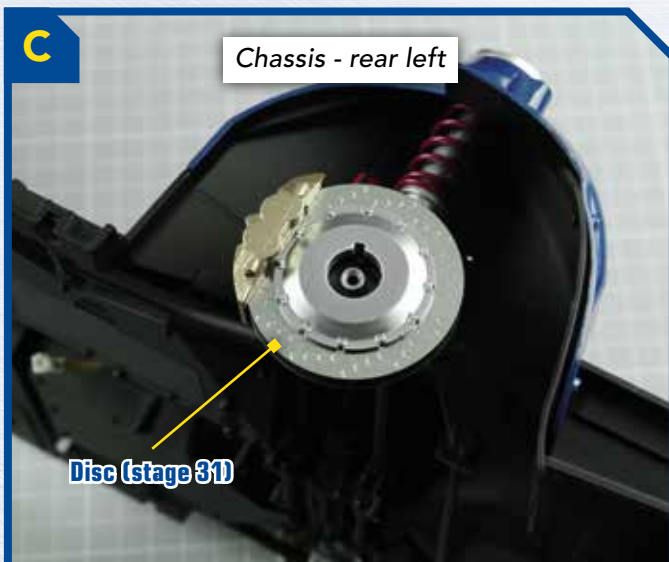
EP 3 screws (2x5mm)



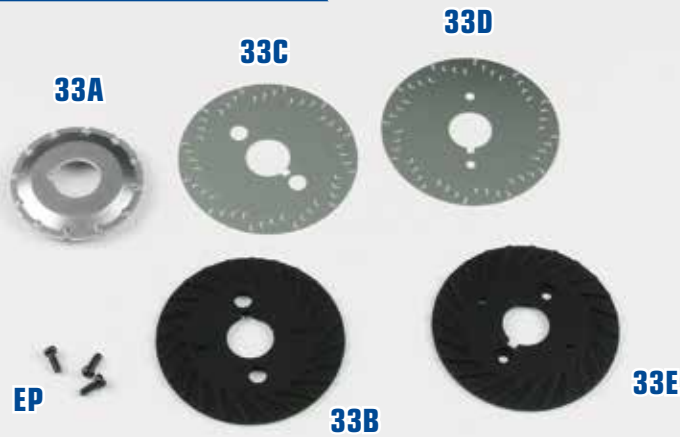
32 PARTS LIST

- 32A** Spokes
- 32B** Rim
- 32C** Tire
- 32D** Ring

- DM** 4 screws (1.7x3mm)
- HM** 2 screws (2.3x5mm)

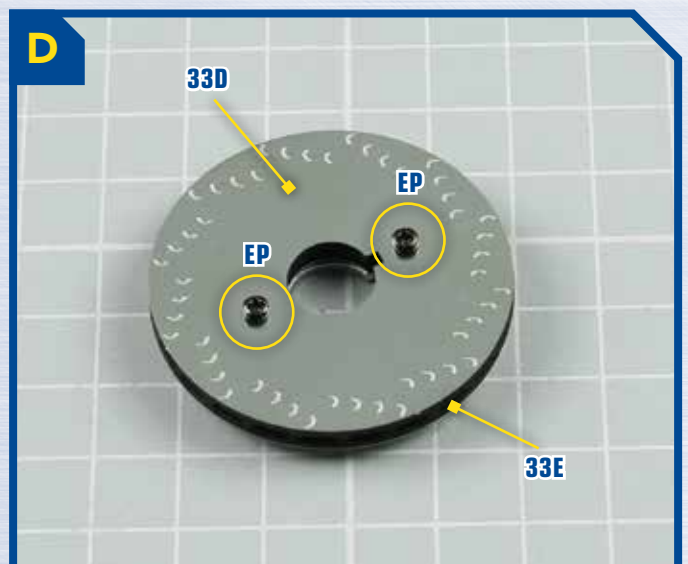
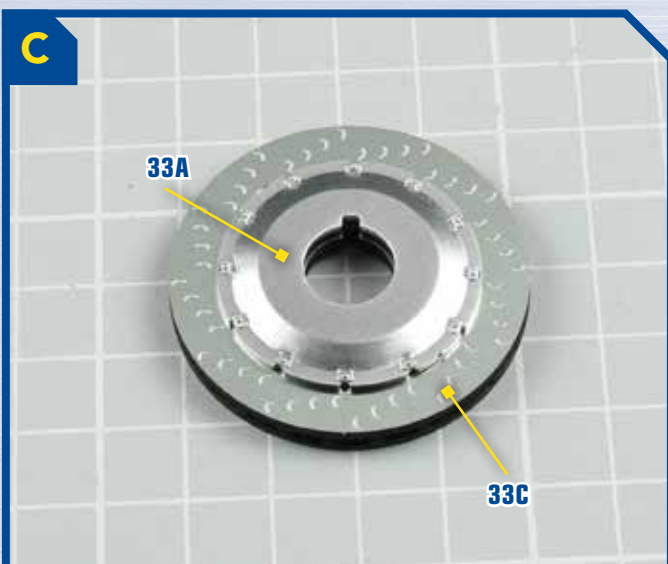
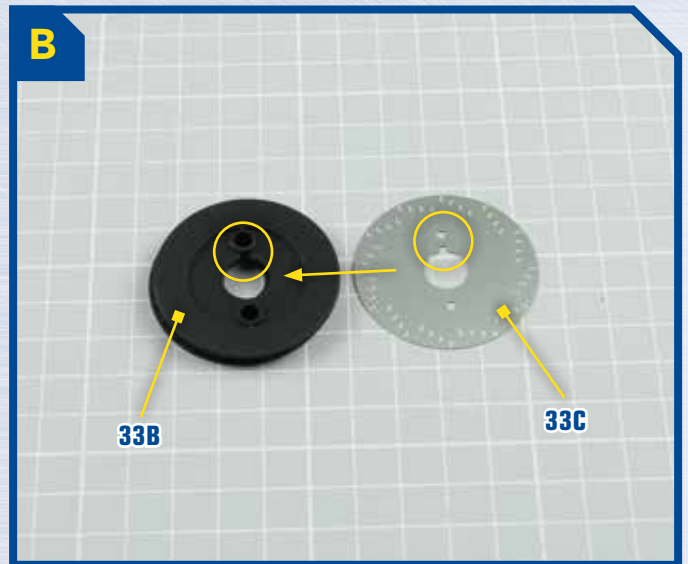
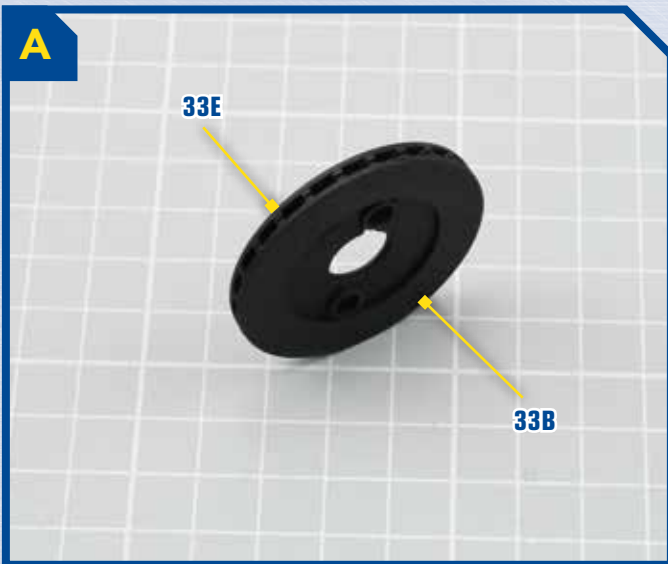


33 PARTS LIST



- 33A** Disc 1
- 33B** Disc 2
- 33C** Disc 3
- 33D** Disc 4
- 33E** Disc 5

EP 3 screws (2x5mm)



34 PARTS LIST



34A Spokes
34B Rim
34C Tire
34D Ring

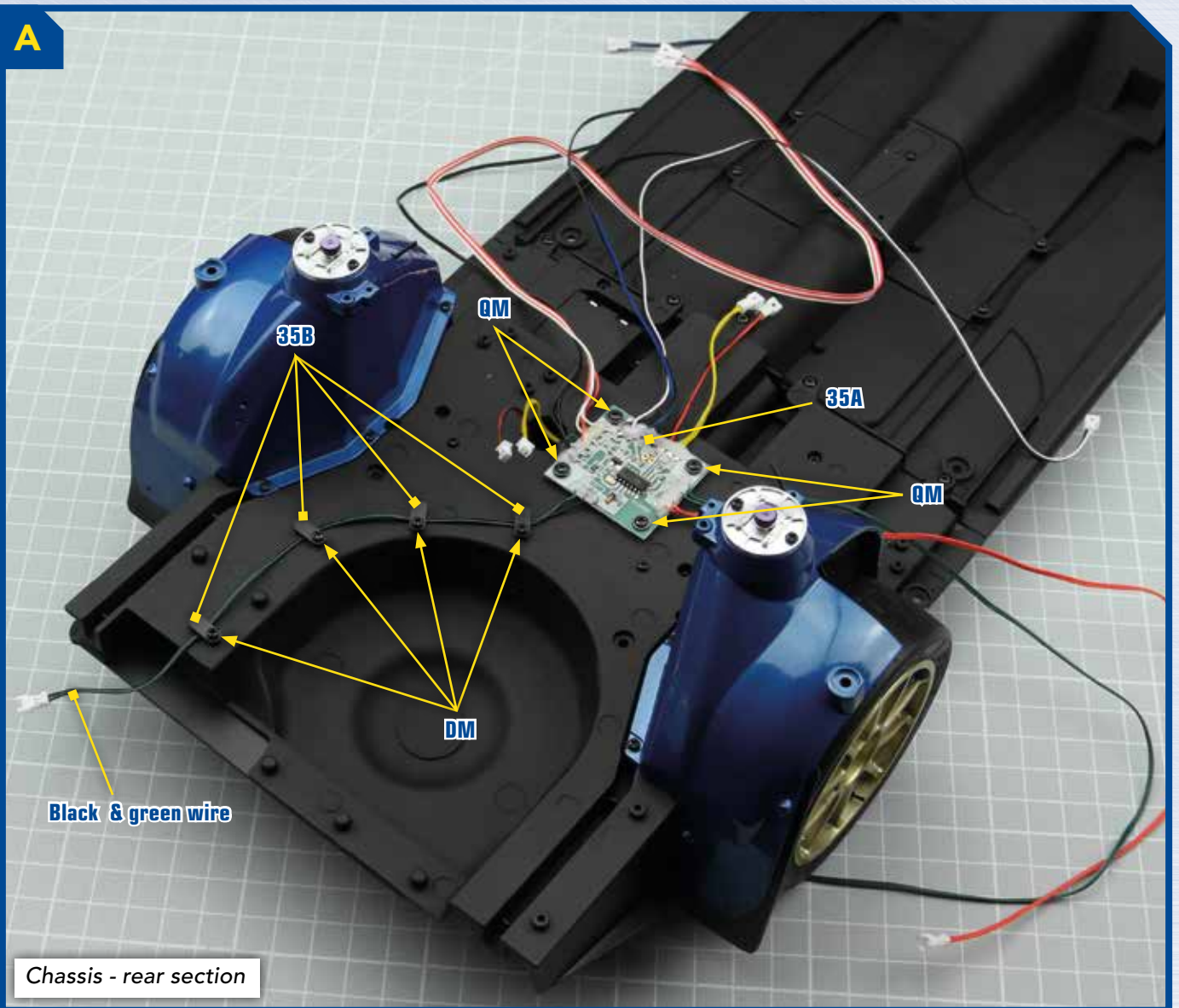
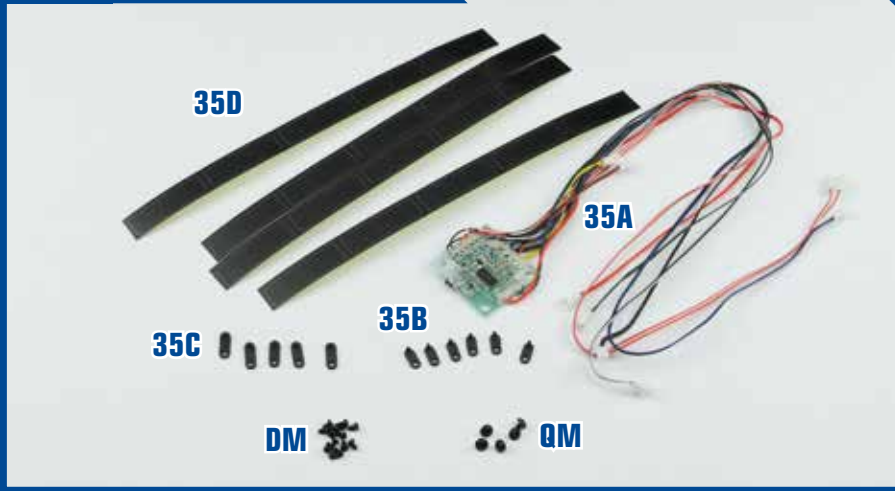
DM 4 screws (1.7x3mm)
HM 2 screws (2.3x5mm)

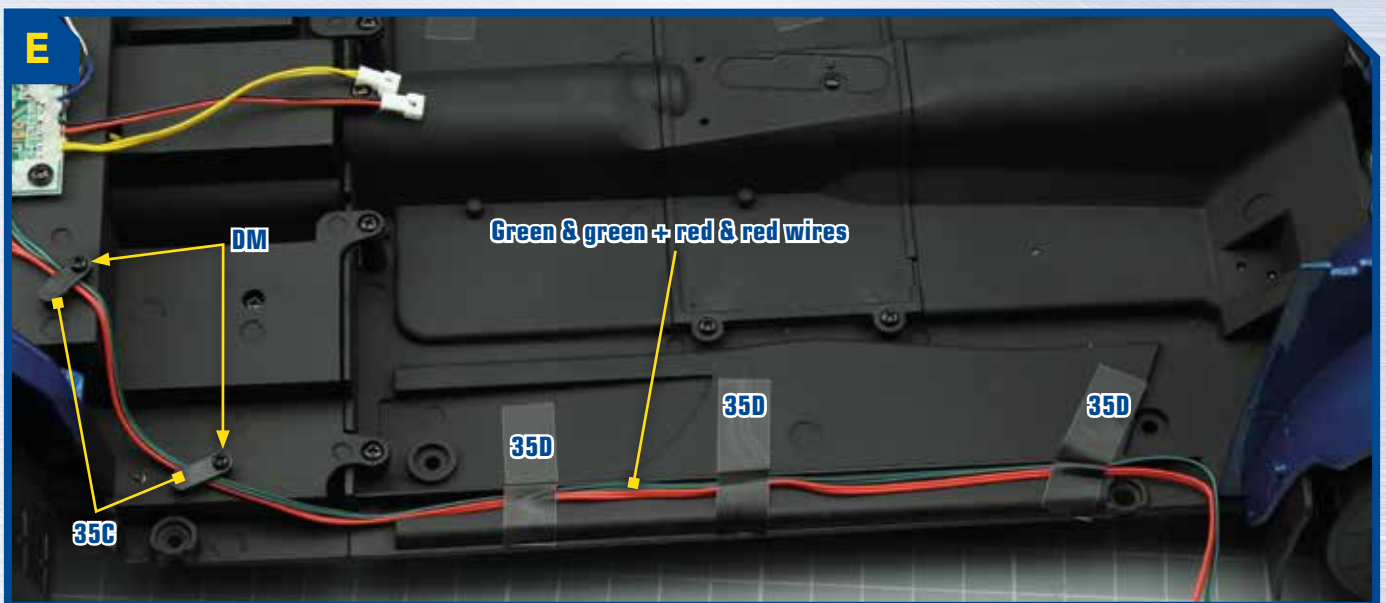
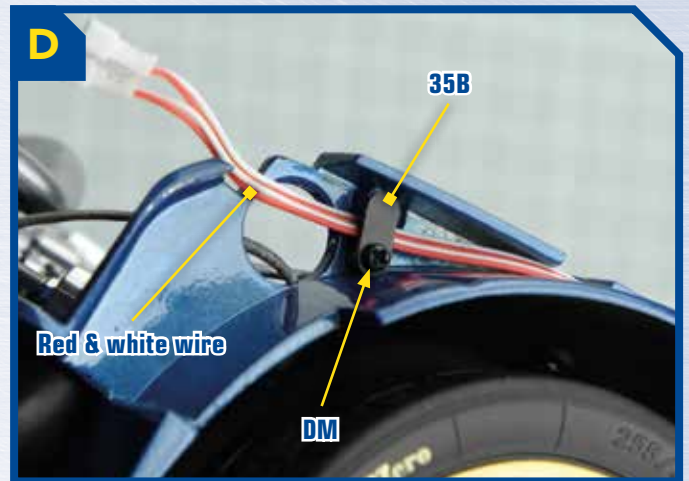
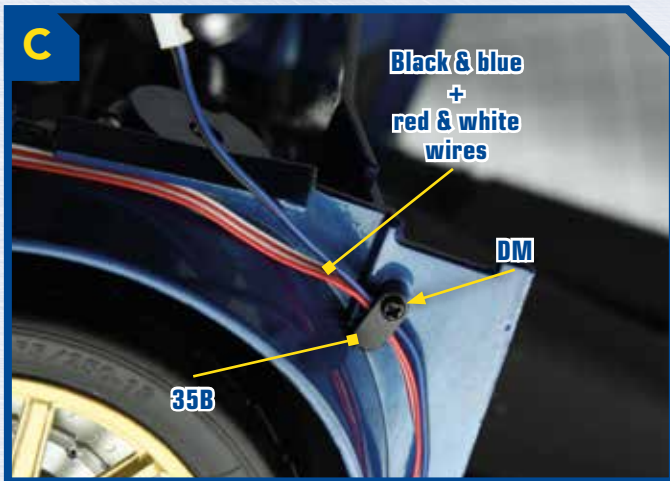
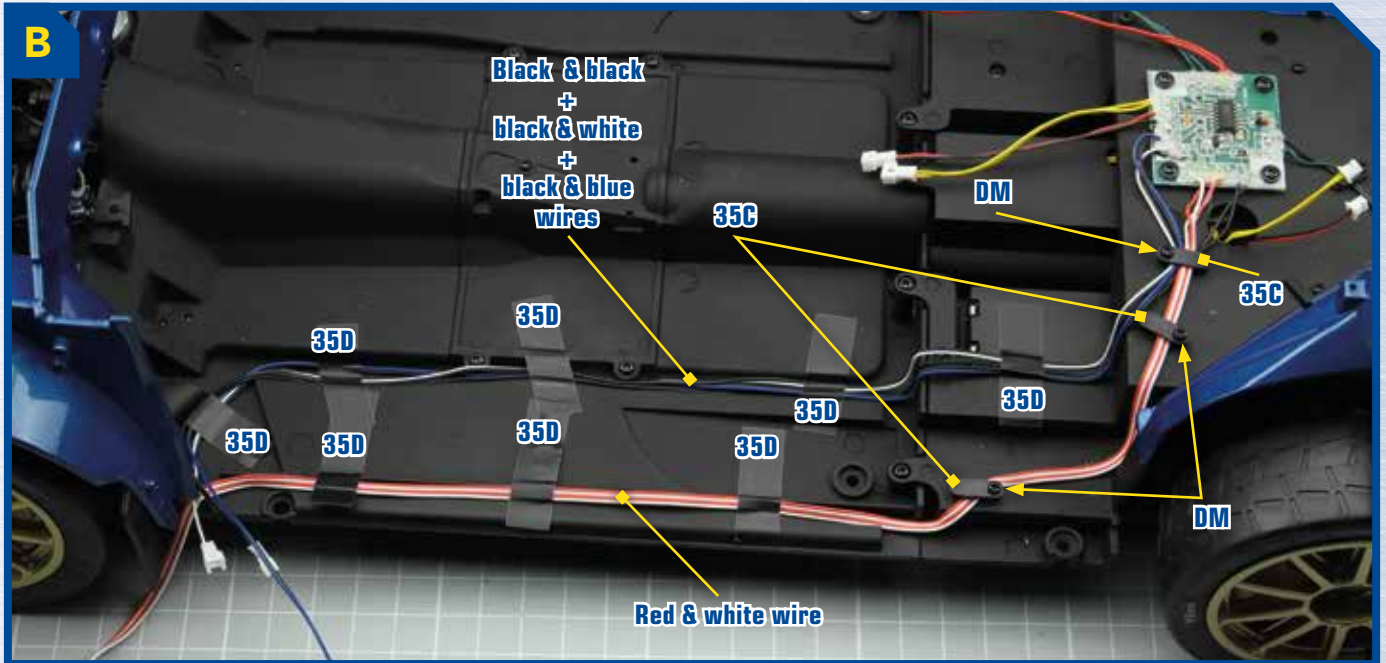


35 PARTS LIST

- 35A** PCB with wires
- 35B** Fairleads 1 (x6)
- 35C** Fairleads 2 (x5)
- 35D** Tapes (x4)

- DM** 13 screws (1.7x3mm)
- QM** 5 screws (1.7x2.5x5mm)

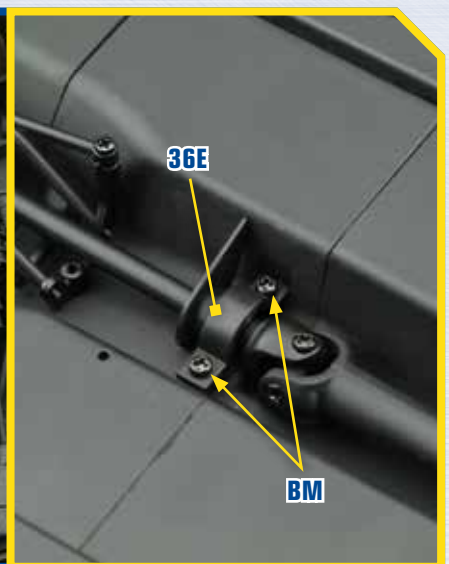
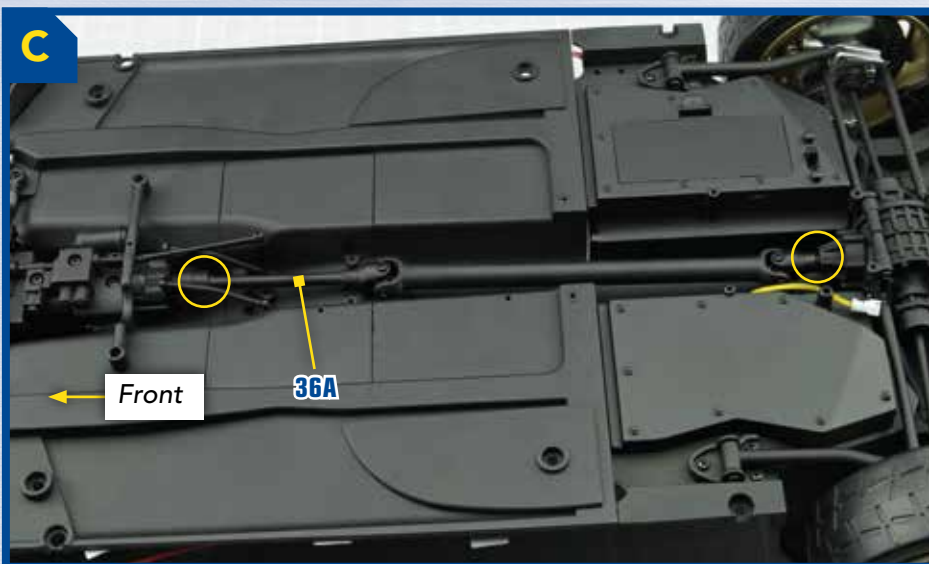
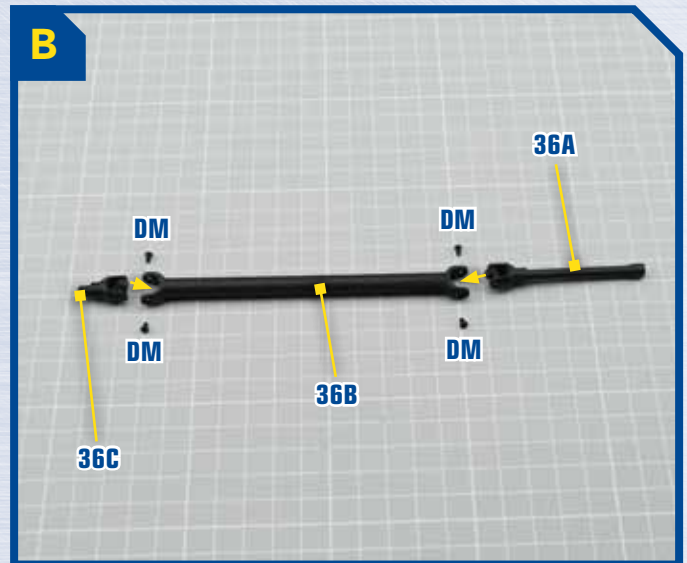
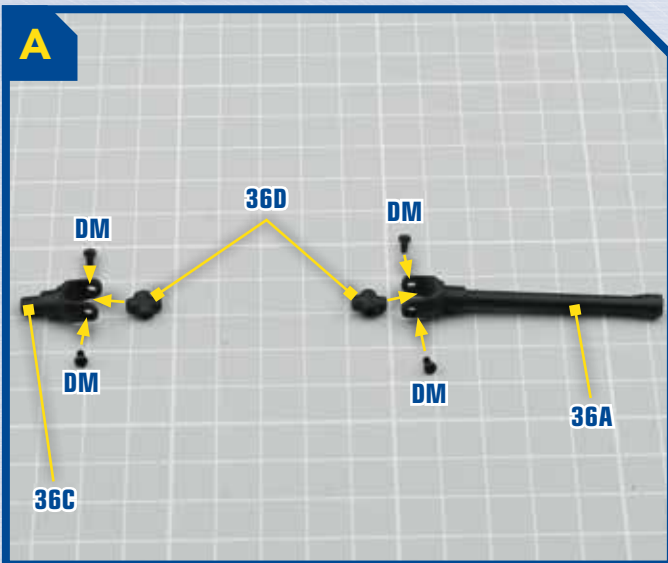
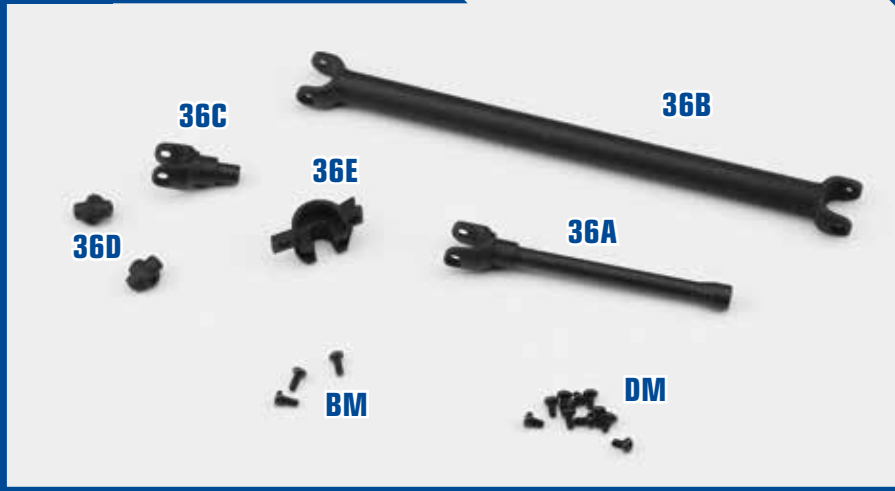




36 PARTS LIST

- 36A** Arm 1
- 36B** Transmission shaft
- 36C** Arm 2
- 36D** Joints (x2)
- 36E** Loop

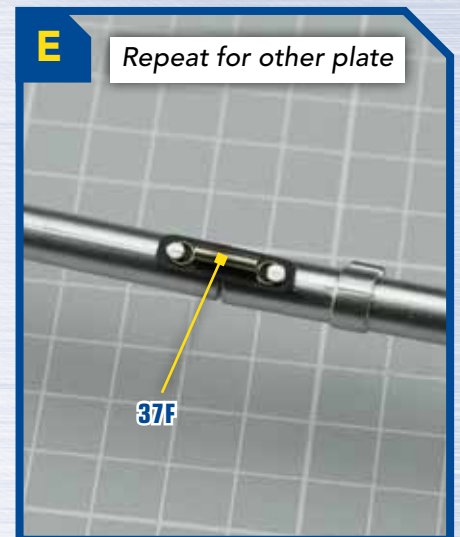
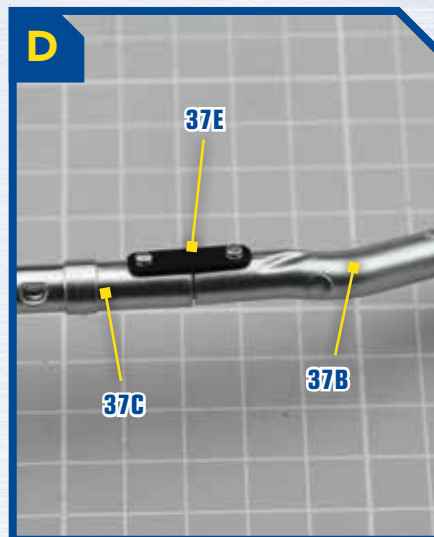
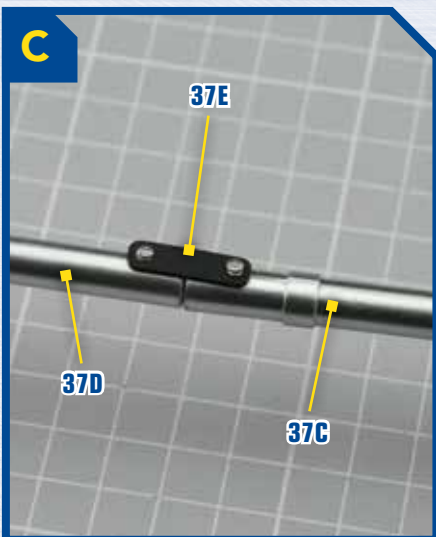
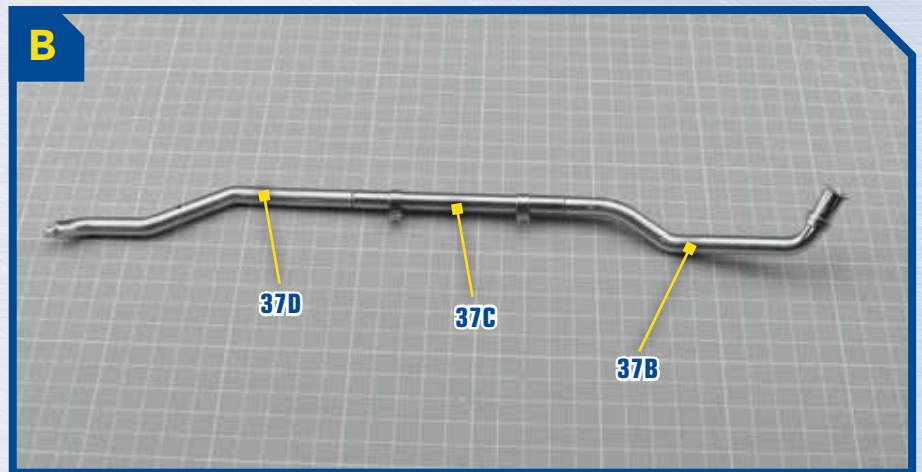
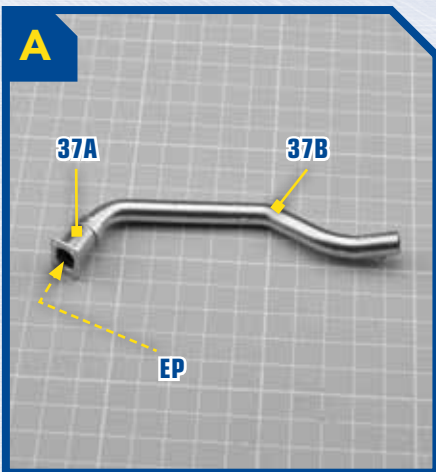
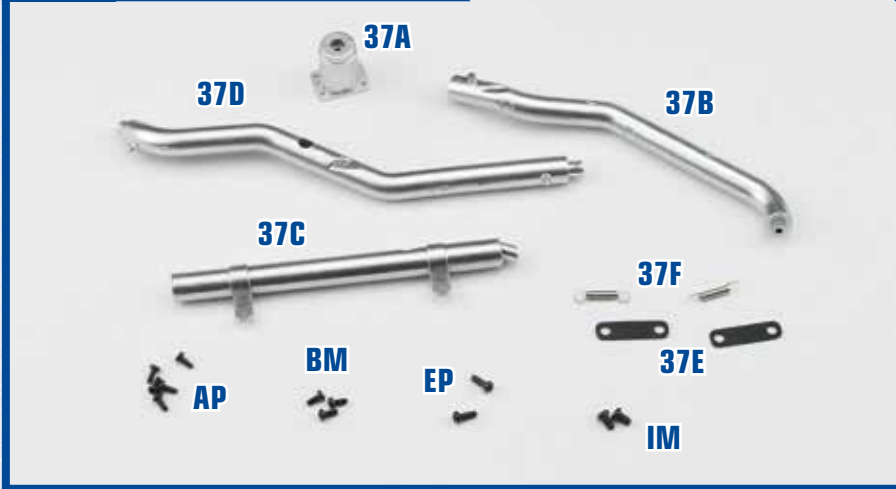
- BM** 3 screws (1.7x4mm)
- DM** 10 screws (1.7x3mm)

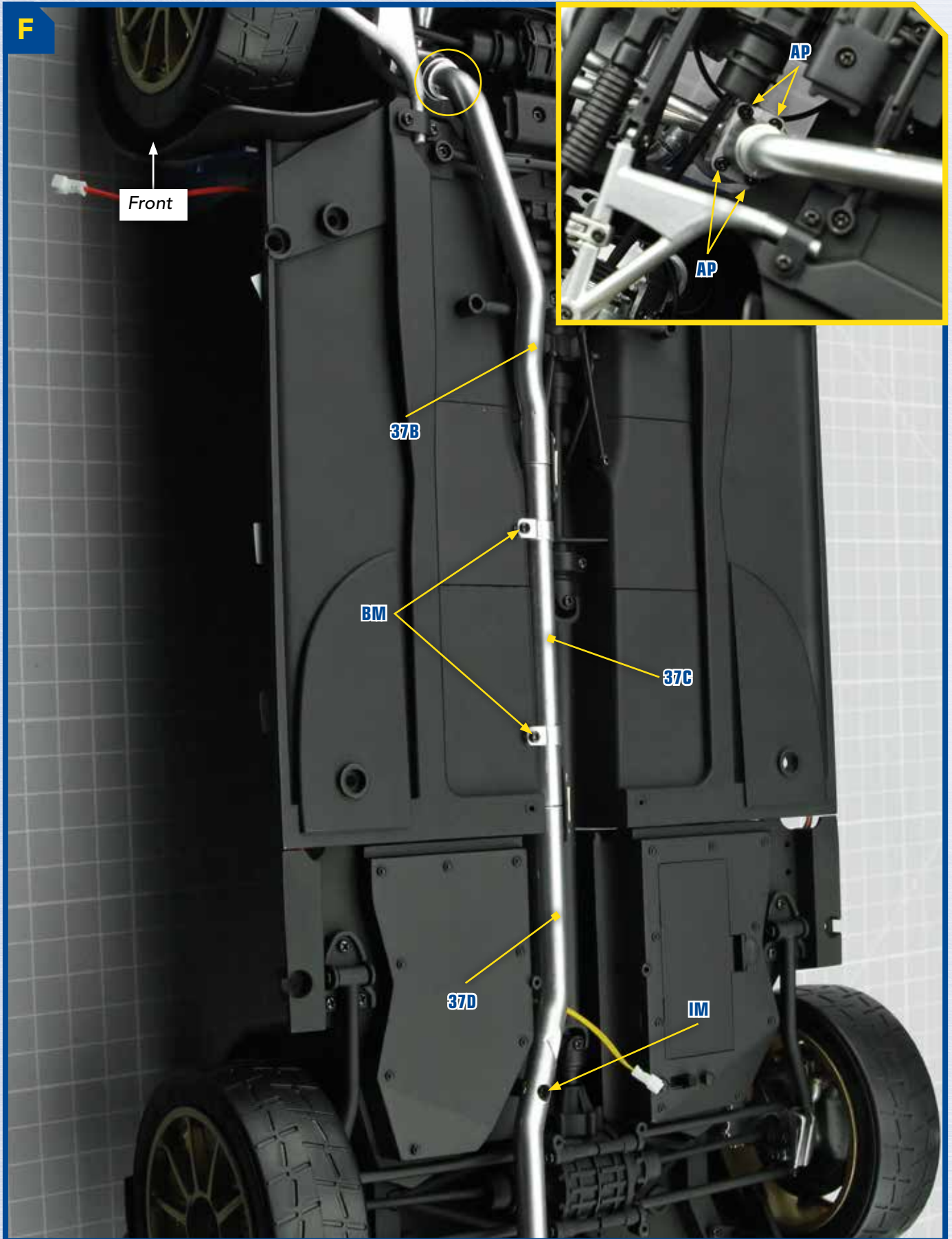


37 PARTS LIST

- 37A** Tube detail 1
- 37B** Tube detail 2
- 37C** Tube detail 3
- 37D** Tube detail 4
- 37E** Plates (x2)
- 37F** Springs (x2)

- AP** 5 screws (1.7x4mm)
- EP** 2 screws (2x5mm)
- BM** 3 screws (1.7x4mm)
- IM** 2 screws (2.3x4mm)

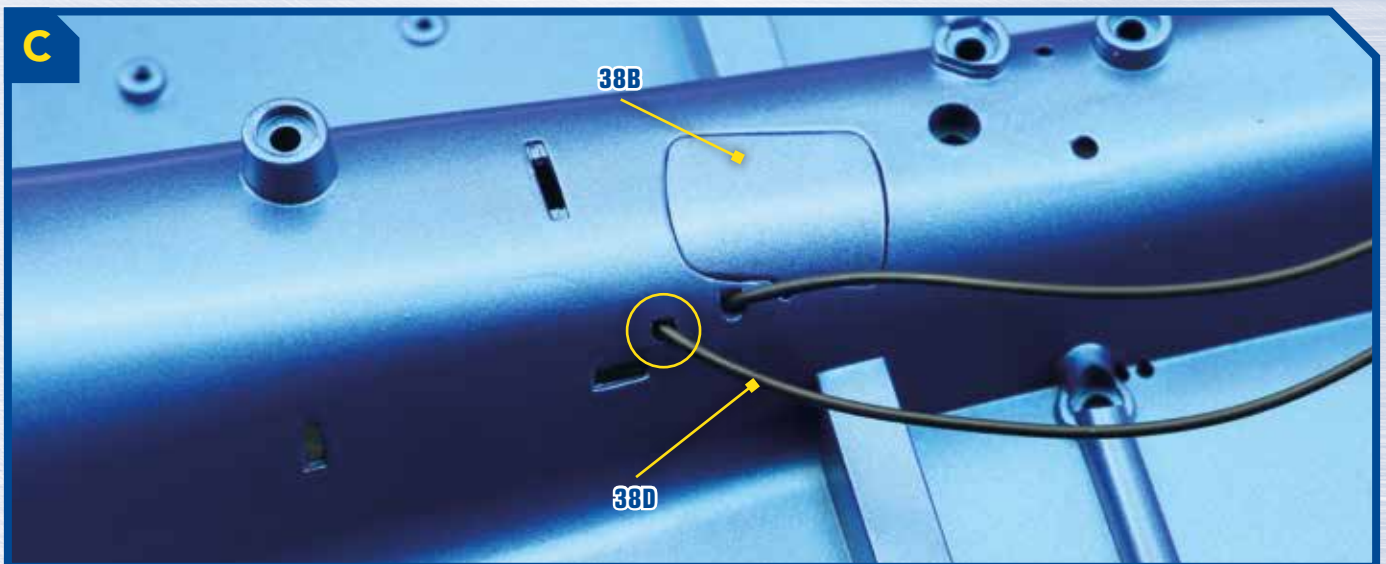
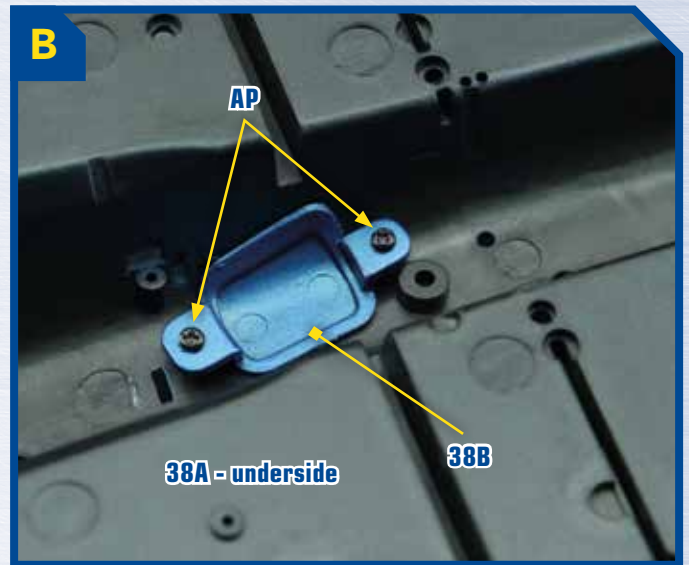
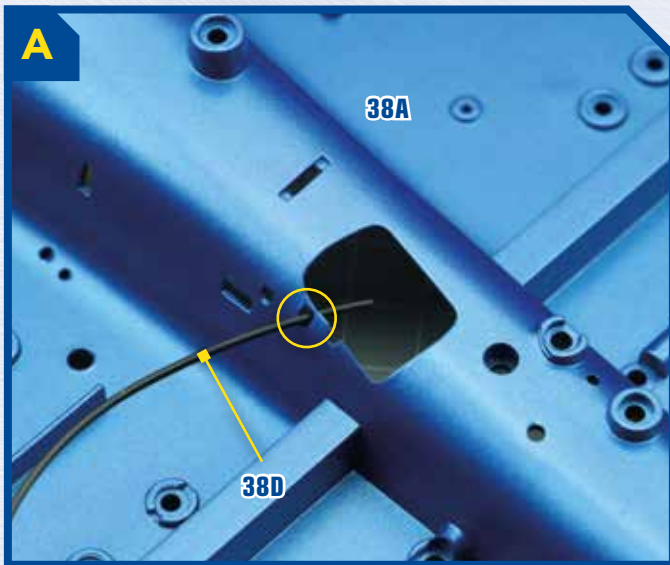
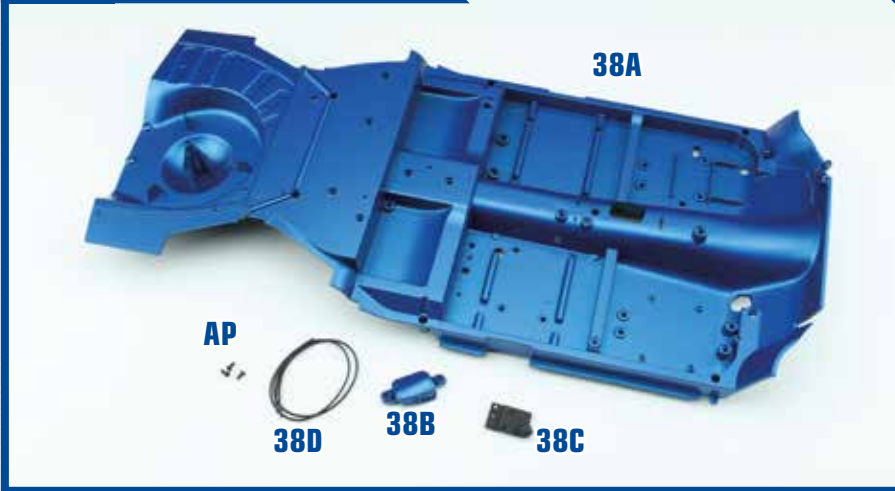




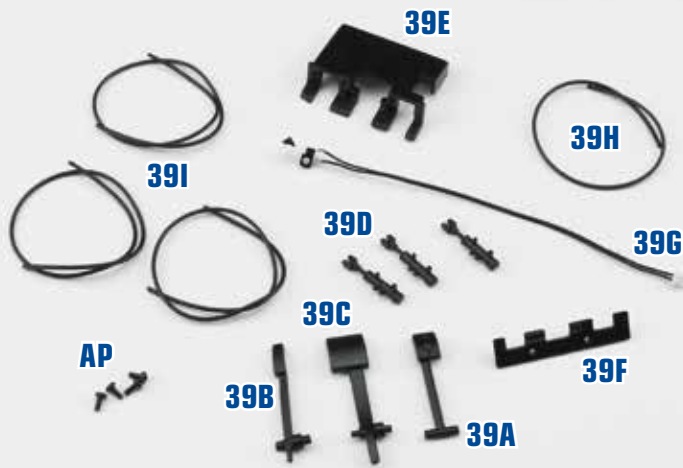
38 PARTS LIST

- 38A** Platform
- 38B** Cover
- 38C** Tank
- 38D** Tubes (x2)

- AP** 3 screws (1.7x4mm)

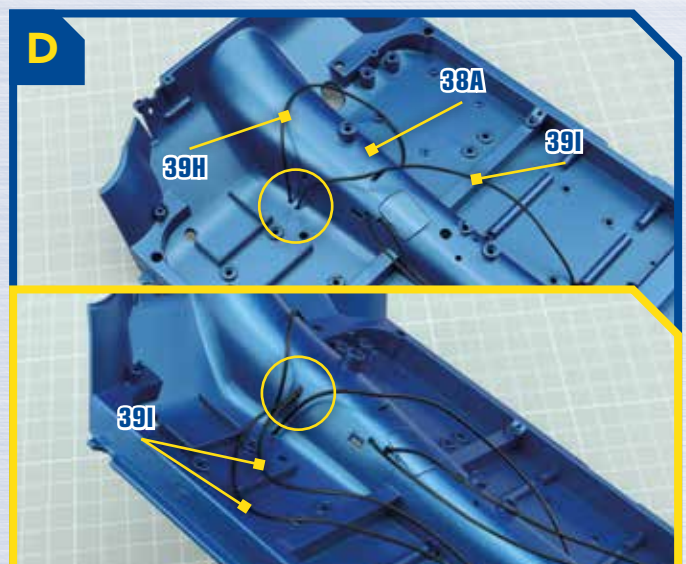
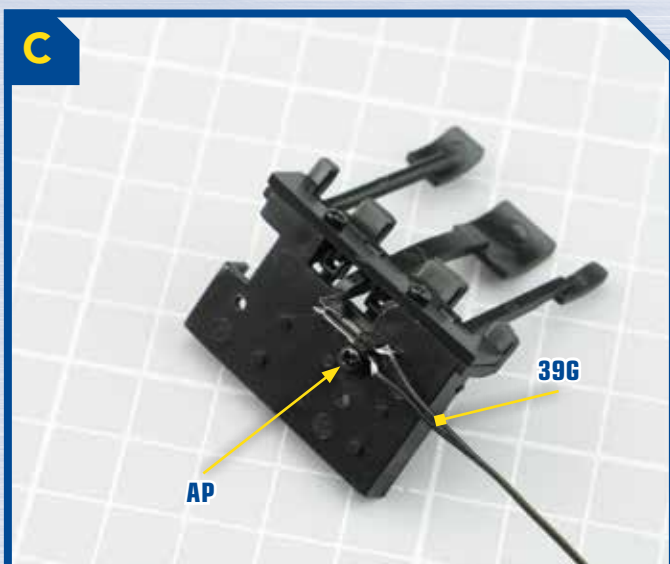
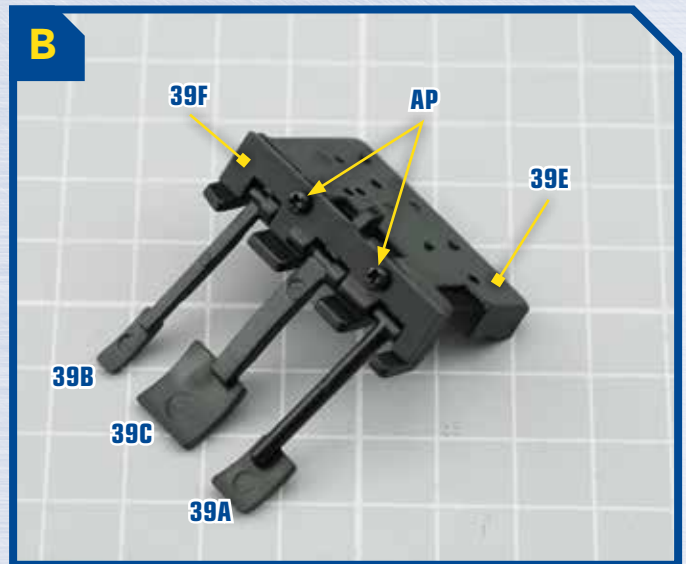
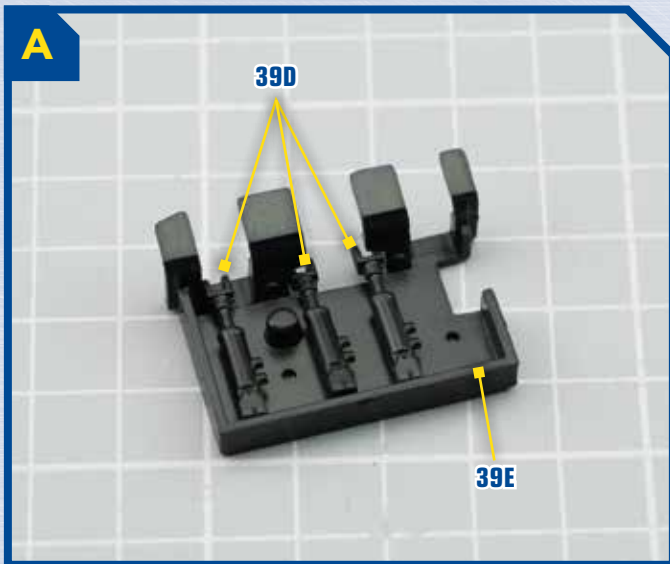


39 PARTS LIST



- 39A** Gas pedal
- 39B** Clutch pedal
- 39C** Brake pedal
- 39D** Rollers (x3)
- 39E** Pedals set
- 39F** Bracket
- 39G** Wire
- 39H** Tube 1
- 39I** Tubes 2 (x3)

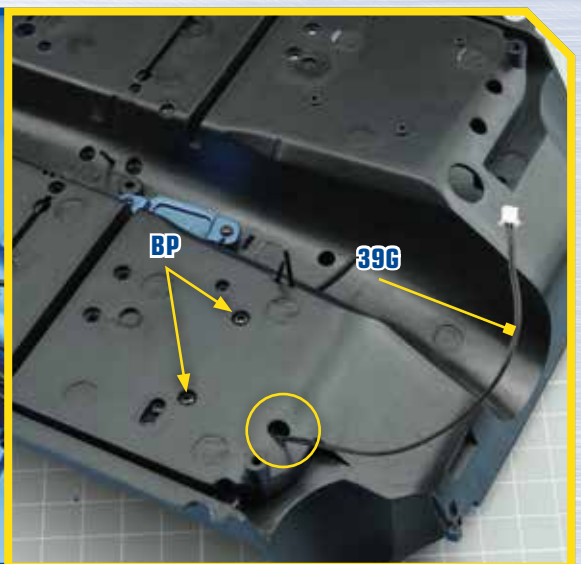
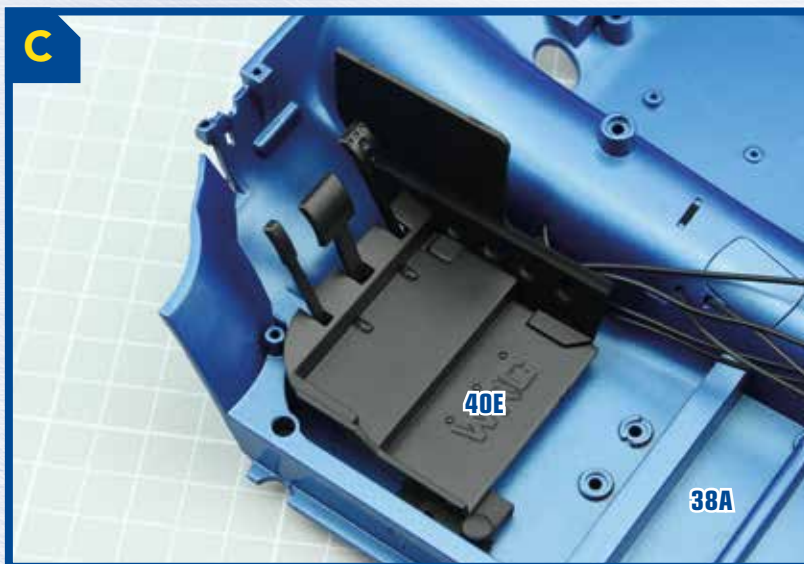
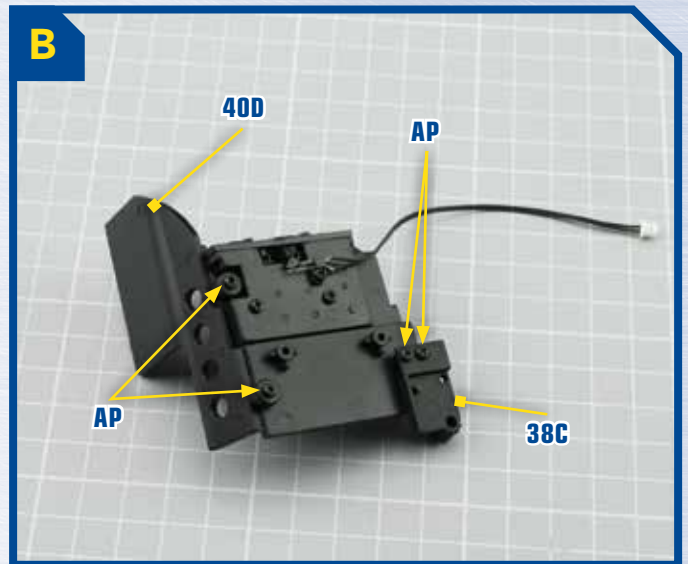
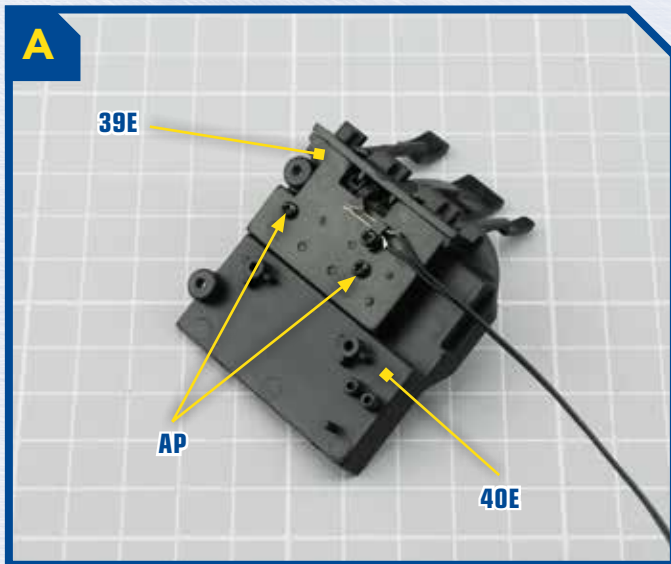
- AP** 4 screws (1.7x4mm)

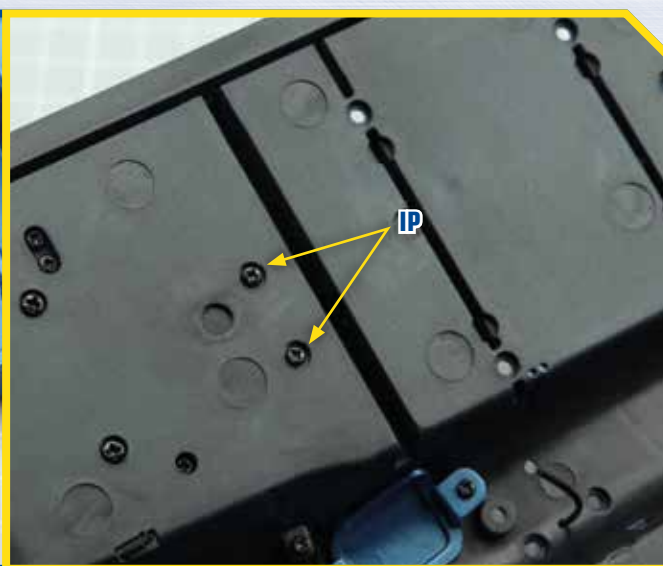
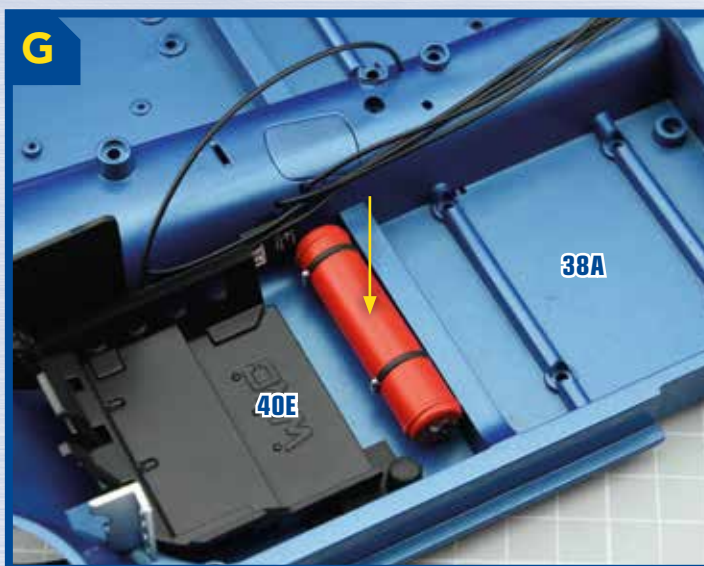
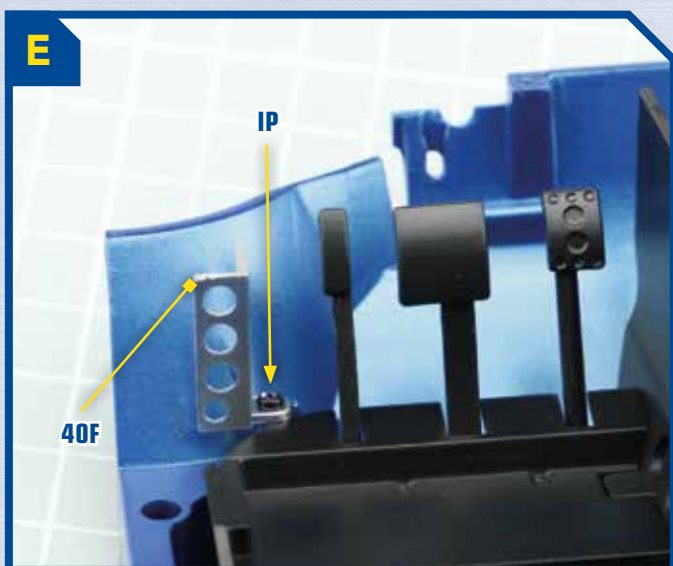
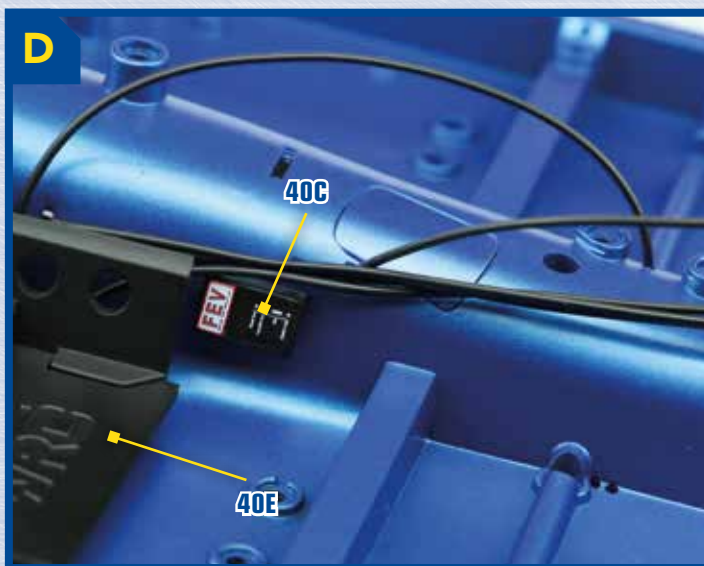


40 PARTS LIST

- 40A** Fire extinguisher part A
- 40B** Fire extinguisher part B
- 40C** Control unit
- 40D** Panel 1
- 40E** Panel 2
- 40F** Footrest

- AP** 9 screws (1.7x4mm)
- BP** 3 screws (2.3x4mm)
- IP** 6 screws (2x4mm)



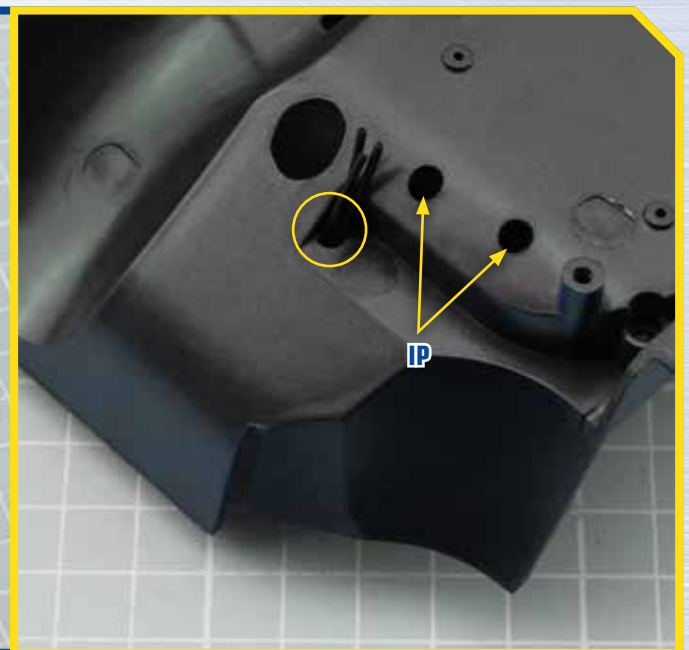
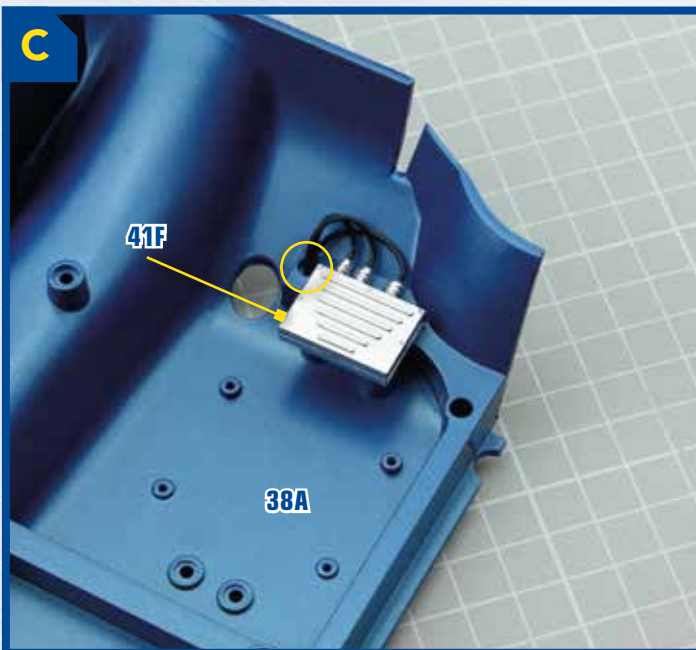
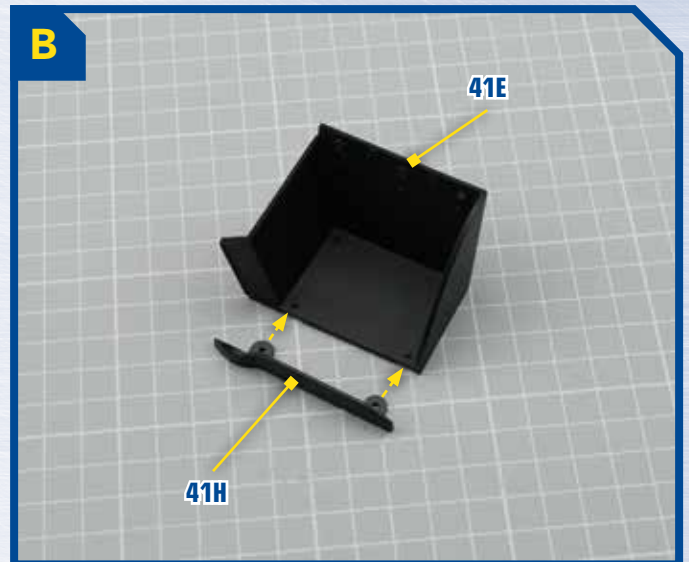
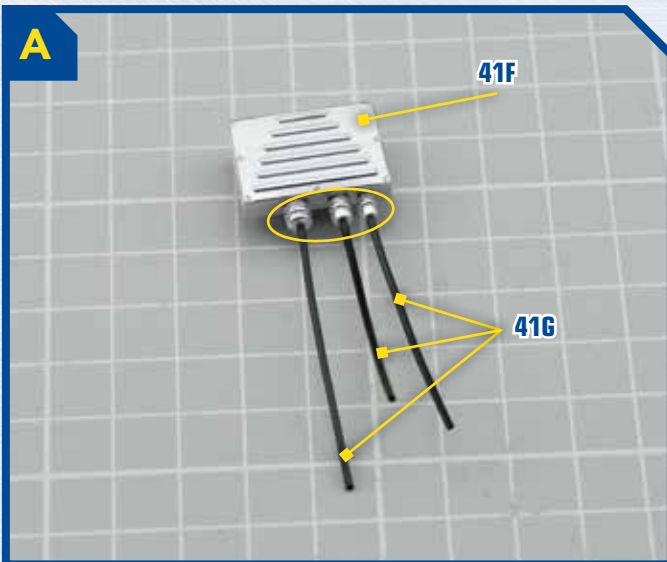


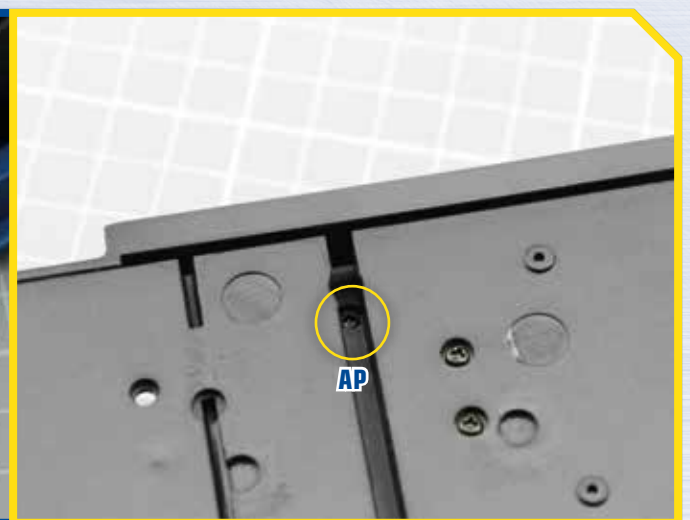
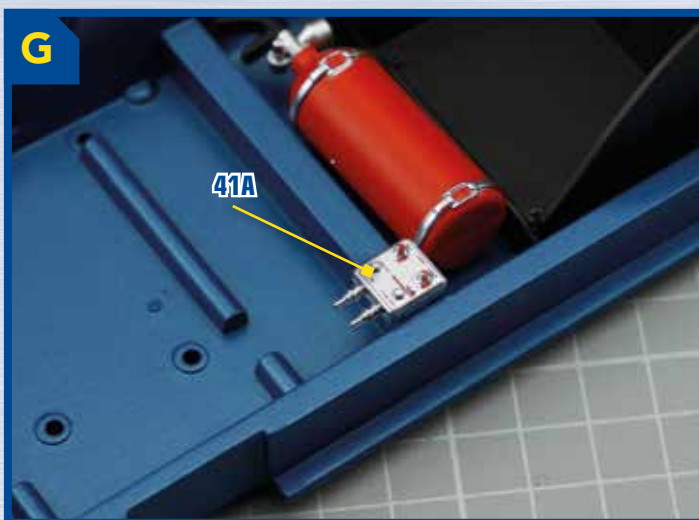
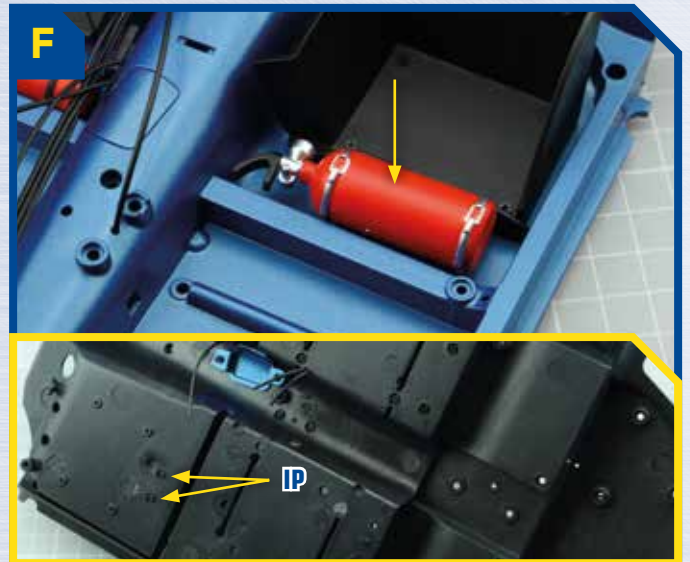
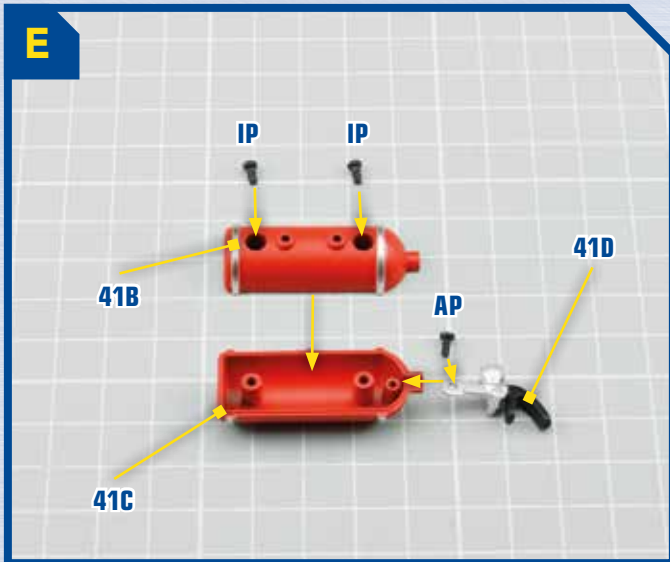
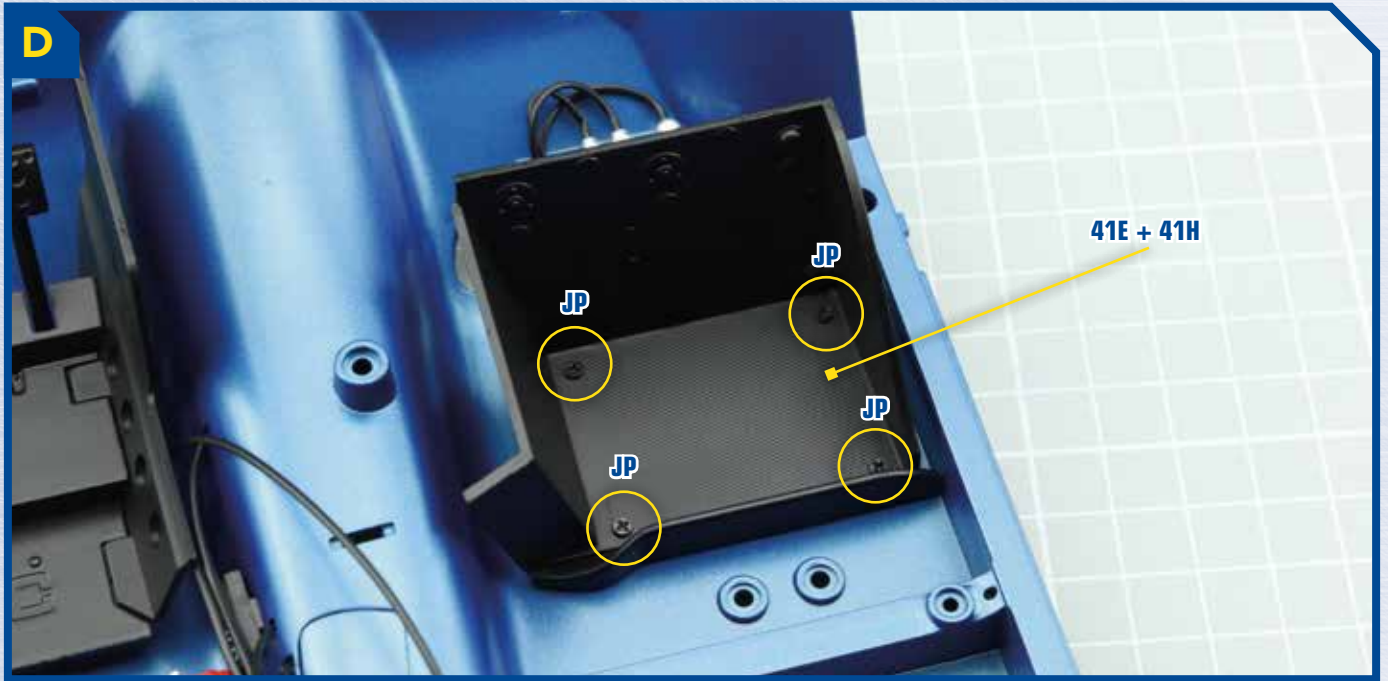
41 PARTS LIST



- 41A** Intercom
- 41B** Fire extinguisher part A
- 41C** Fire extinguisher part B
- 41D** Fire extinguisher handle
- 41E** Footrest
- 41F** ECU
- 41G** Tubes (x3)
- 41H** Footrest detail

- AP** 3 screws (1.7x4mm)
- IP** 8 screws (2x4mm)
- JP** 5 screws (1.7x5mm)



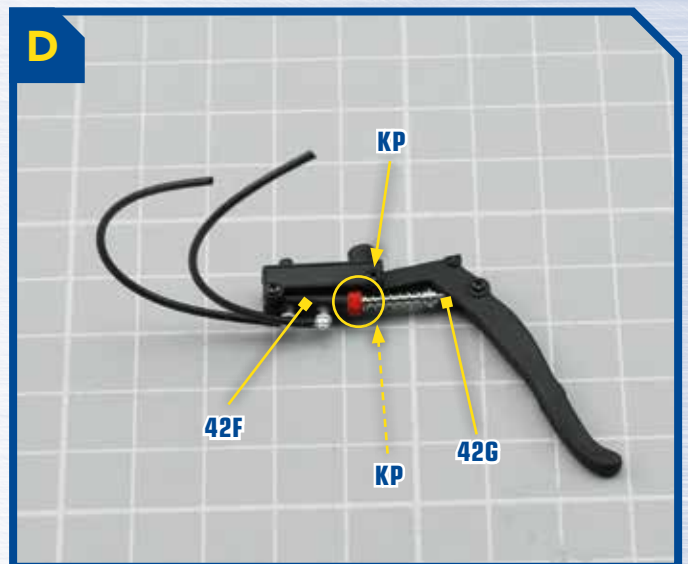
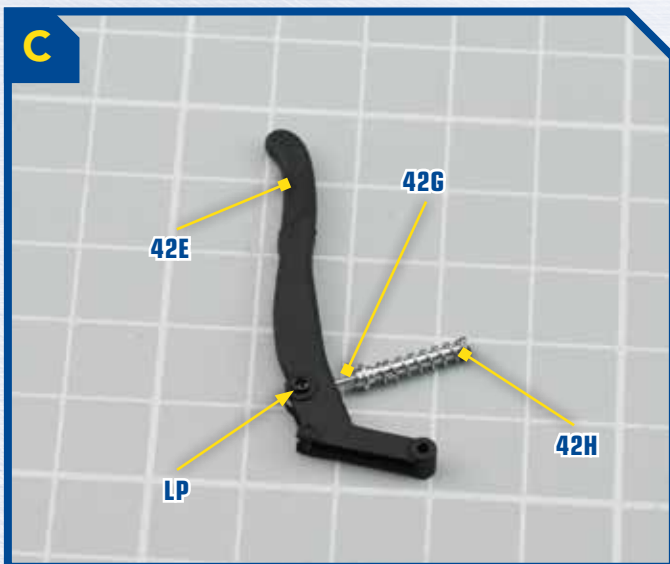
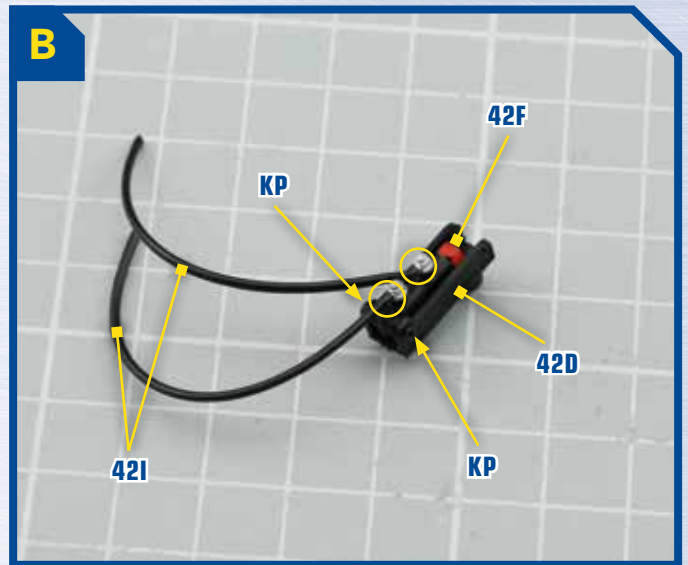
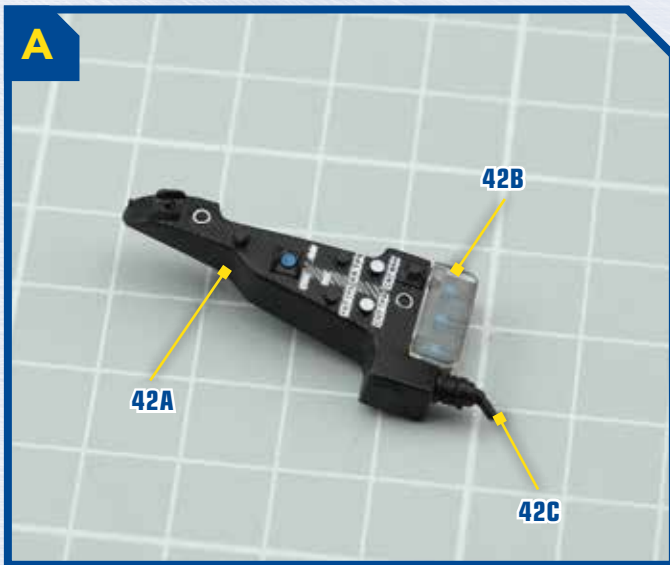


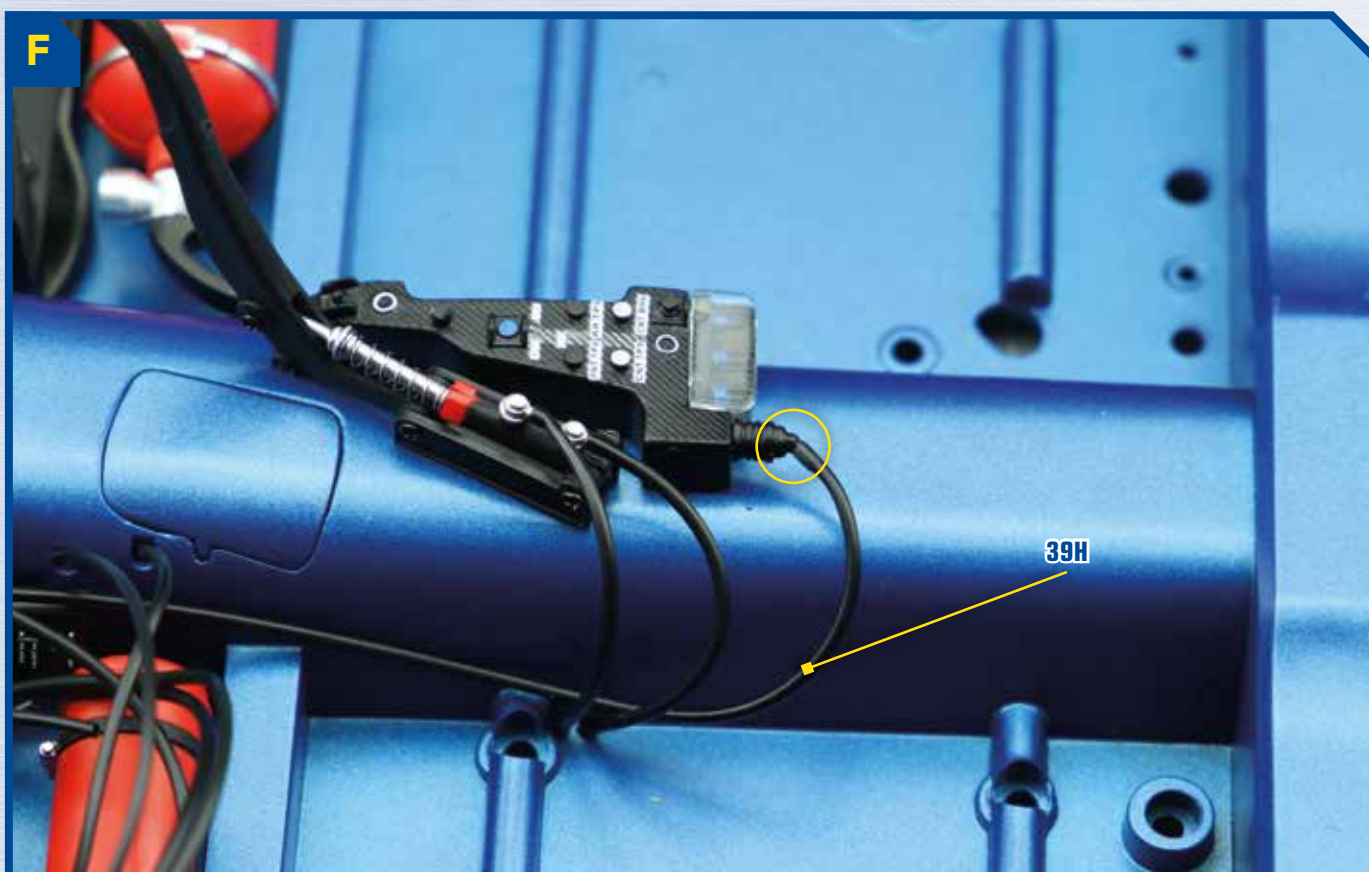
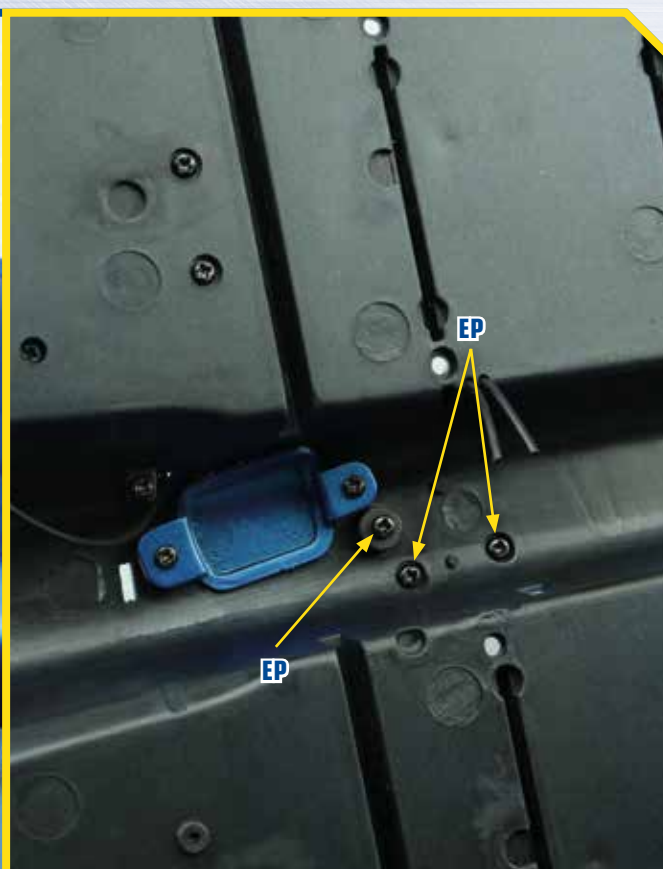
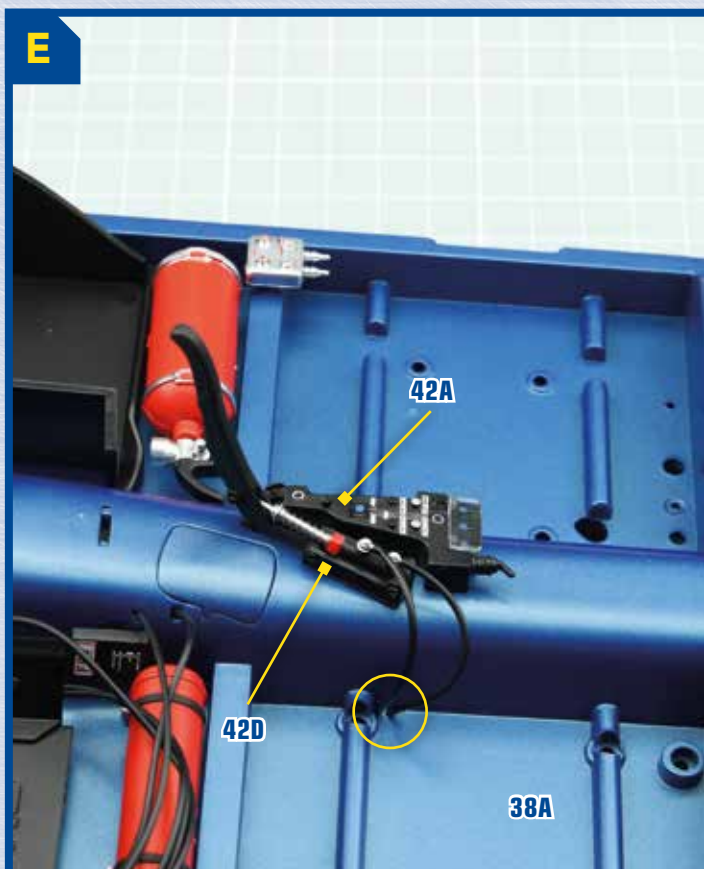
42 PARTS LIST



- 42A** Control panel
- 42B** Cover
- 42C** Connector
- 42D** Support
- 42E** Handbrake lever
- 42F** Cylinder
- 42G** Rod
- 42H** Spring
- 42I** Tubes (x2)

- EP** 4 screws (2x5mm)
- KP** 5 screws (1.2x3mm)
- LP** 2 screws (1.2x4mm)

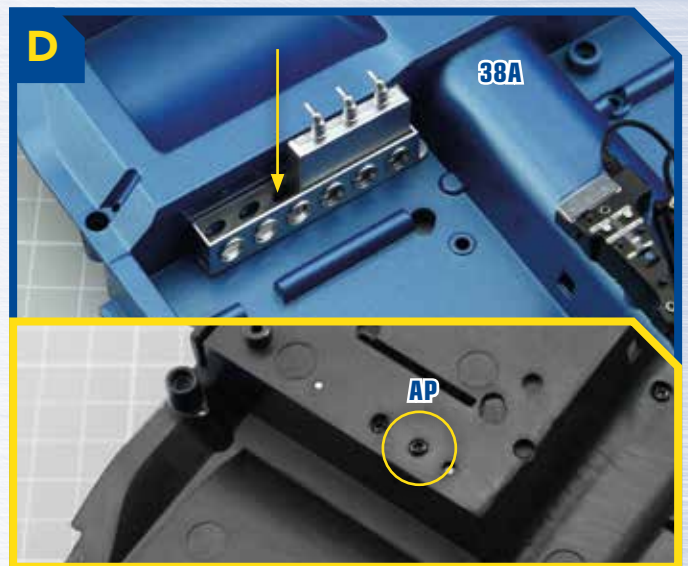
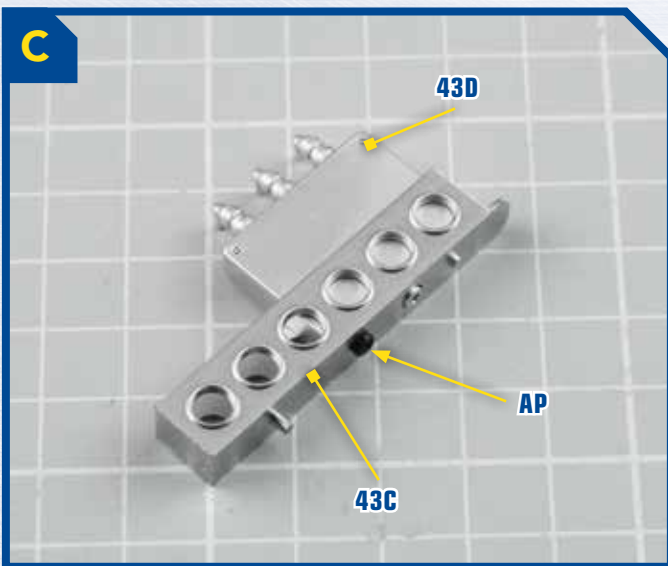
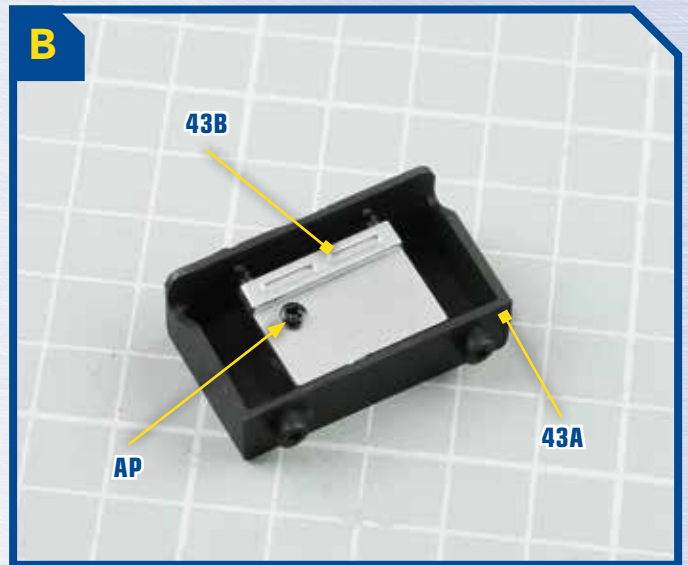
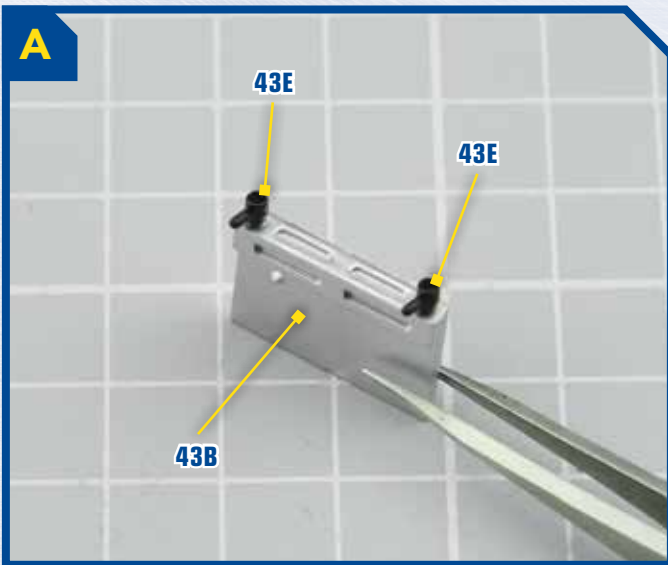


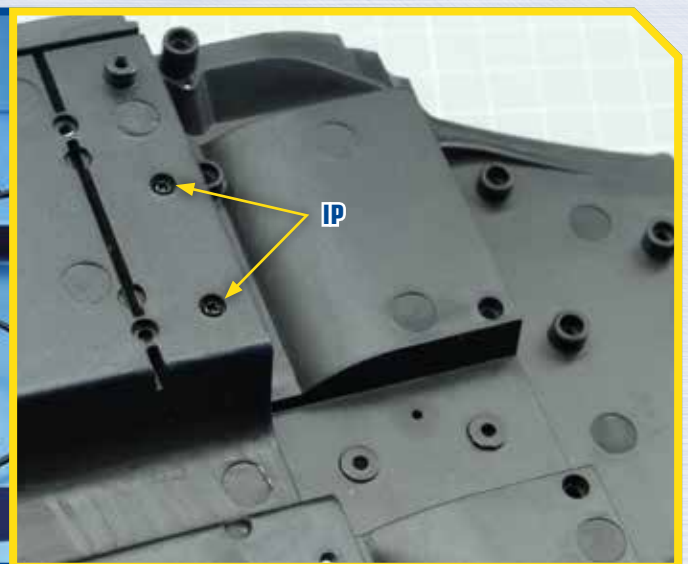
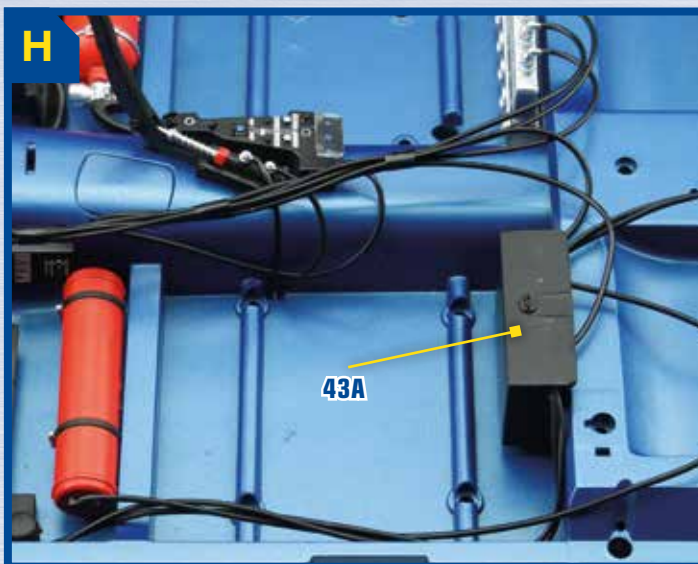
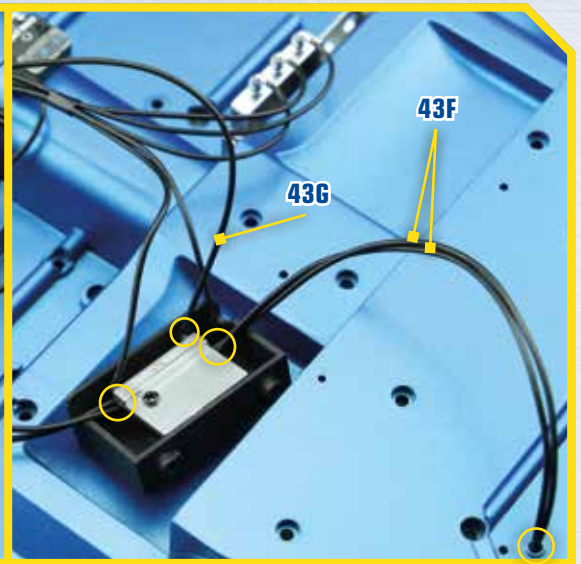
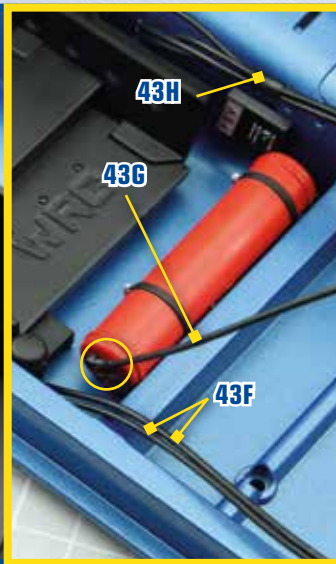
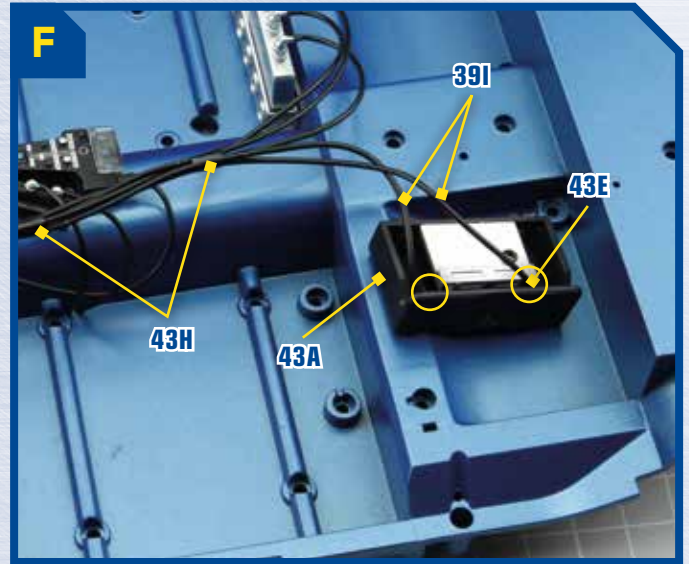
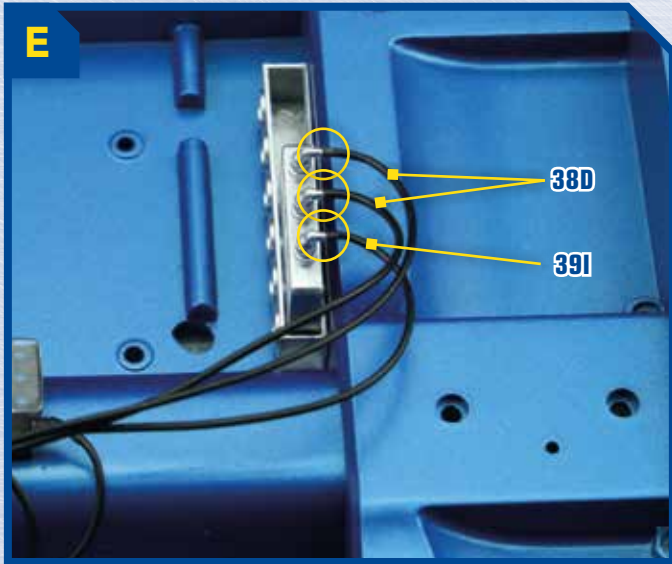


43 PARTS LIST

- 43A** Battery base
- 43B** Battery panel
- 43C** ECU mount
- 43D** ECU
- 43E** Clips (x2)
- 43F** Tubes 1 (x2)
- 43G** Tube 2
- 43H** Tapes (x6)

- AP** 4 screws (1.7x4mm)
- IP** 4 screws (2x4mm)

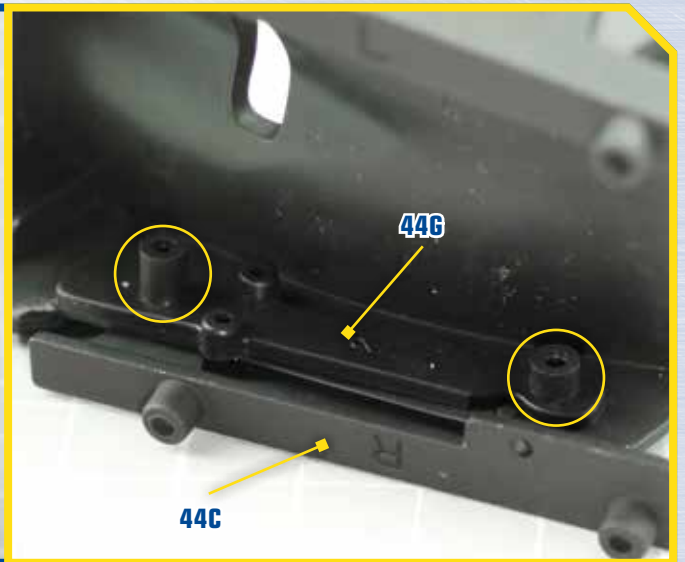
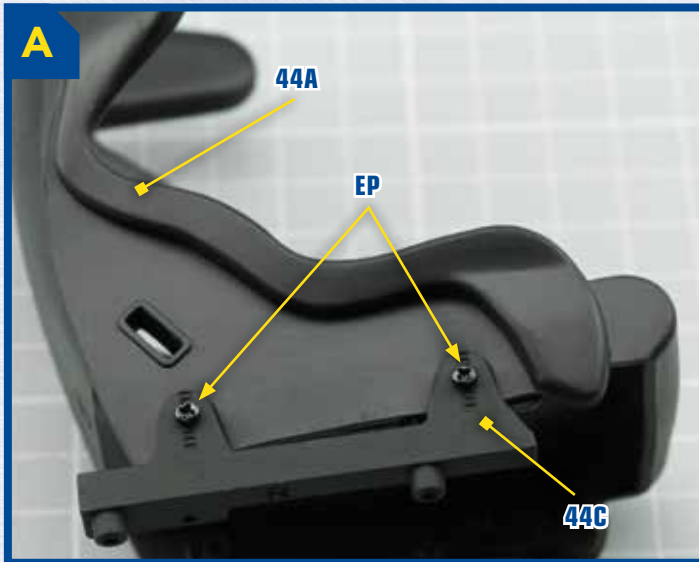


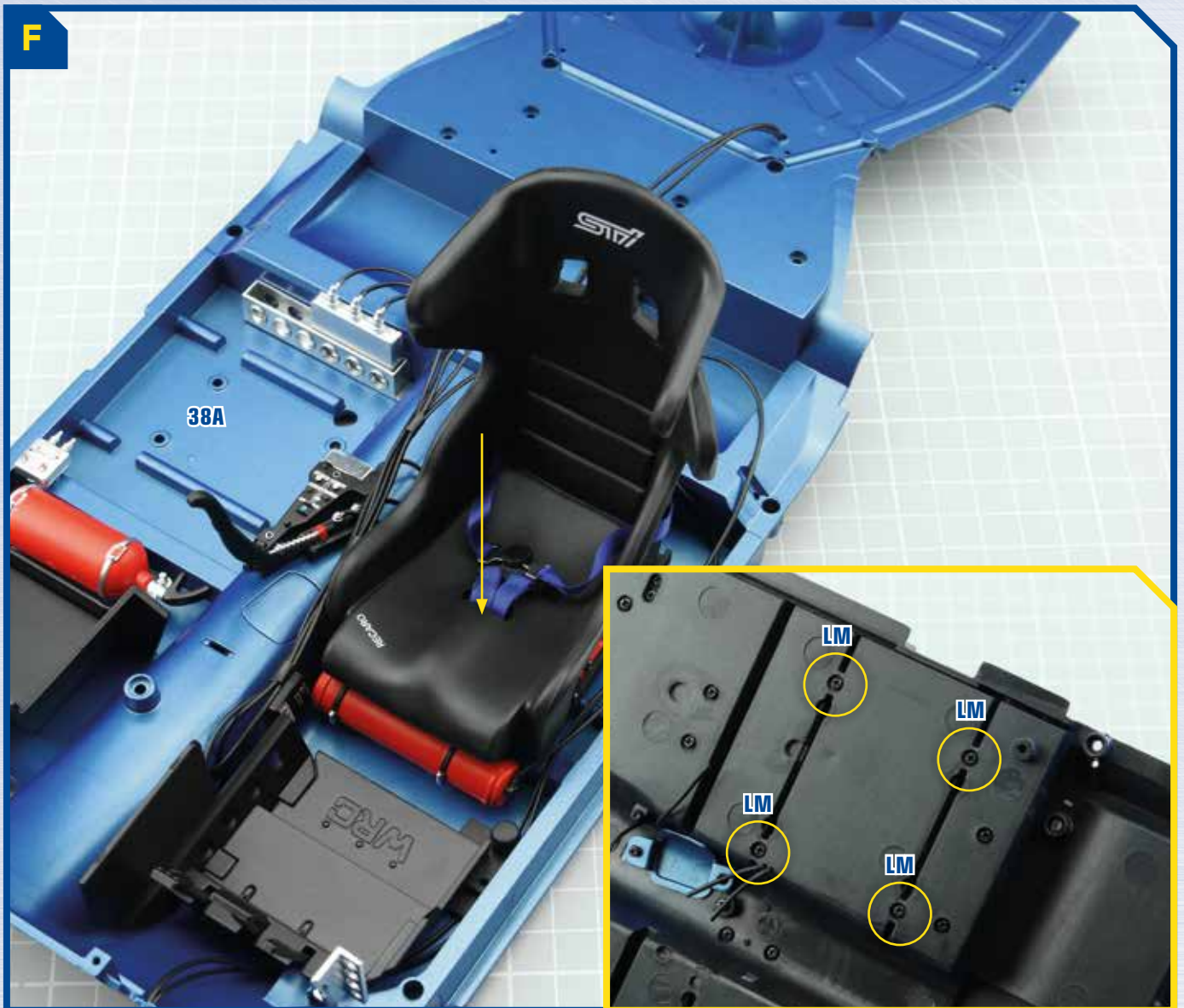
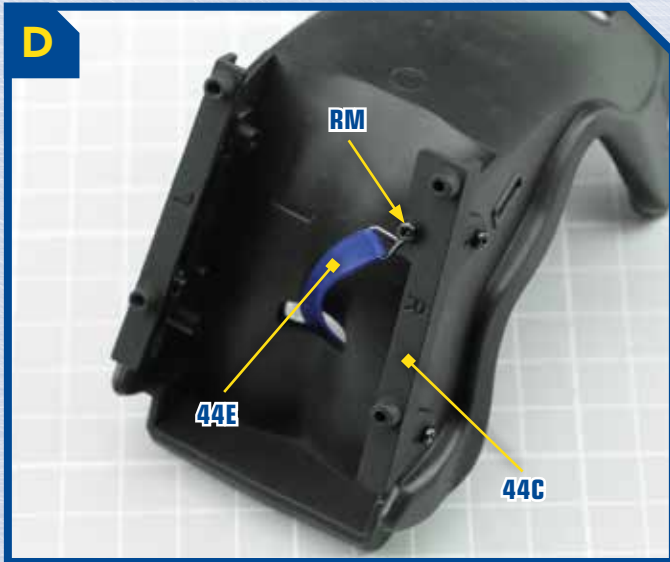


44 PARTS LIST

- 44A** Driver's seat
- 44B** Bracket 1 (L)
- 44C** Bracket 2 (R)
- 44D** Seat belt 1
- 44E** Seat belt 2
- 44F** Handle
- 44G** Supports (x2)

- AP** 2 screws (1.7x4mm)
- EP** 5 screws (2x5mm)
- LM** 5 screws (2x4mm)
- RM** 2 screws (2x3x4mm)



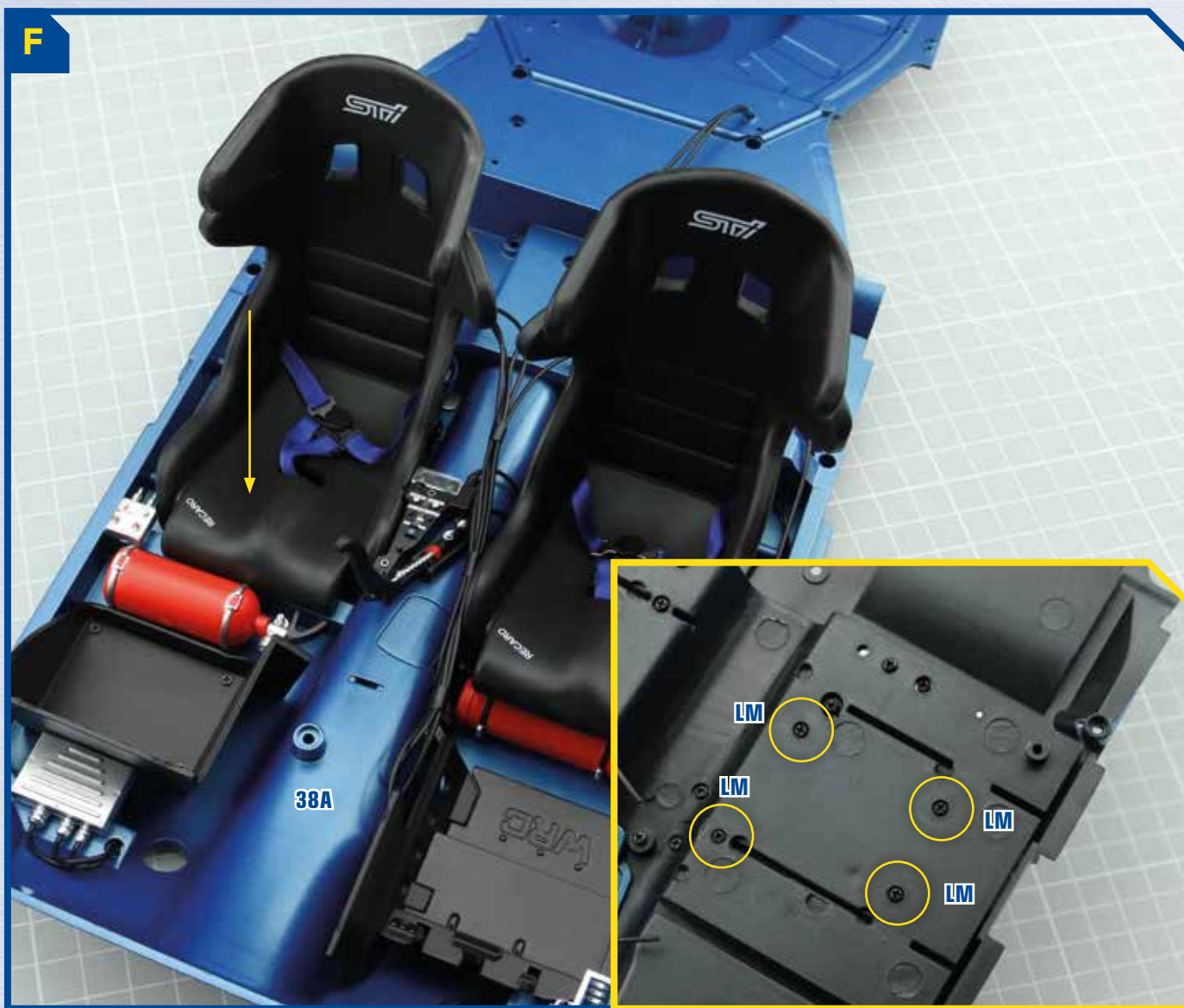


45 PARTS LIST

- 45A** Passenger's seat
- 45B** Bracket 1 (L)
- 45C** Bracket 2 (R)
- 45D** Seat belt 1
- 45E** Seat belt 2
- 45F** Handle
- 45G** Support 1
- 45H** Support 2

- AP** 2 screws (1.7x4mm)
- EP** 5 screws (2x5mm)
- BM** 2 screws (1.7x4mm)
- LM** 5 screws (2x4mm)
- RM** 2 screws (2x3x4mm)



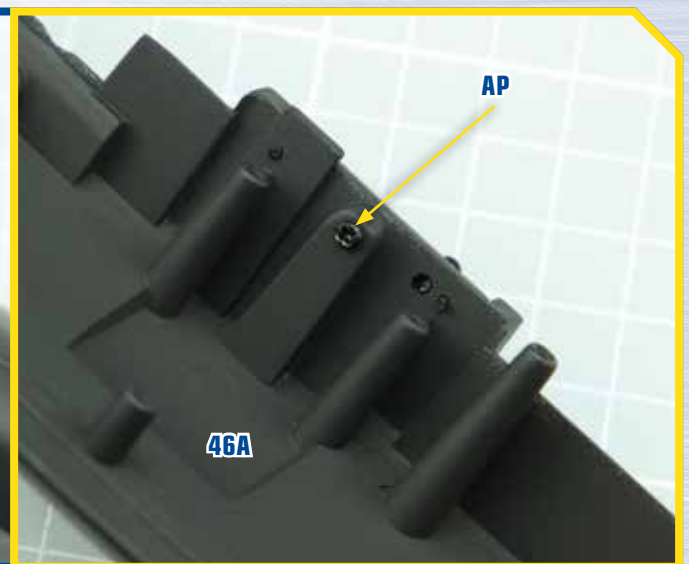
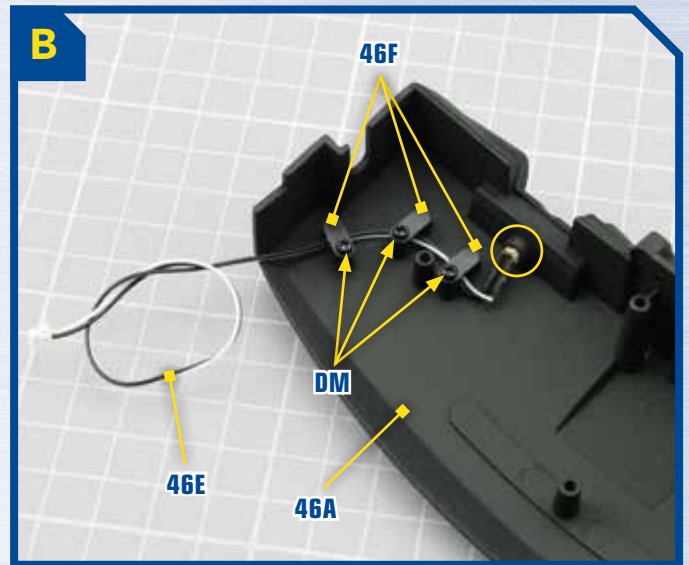
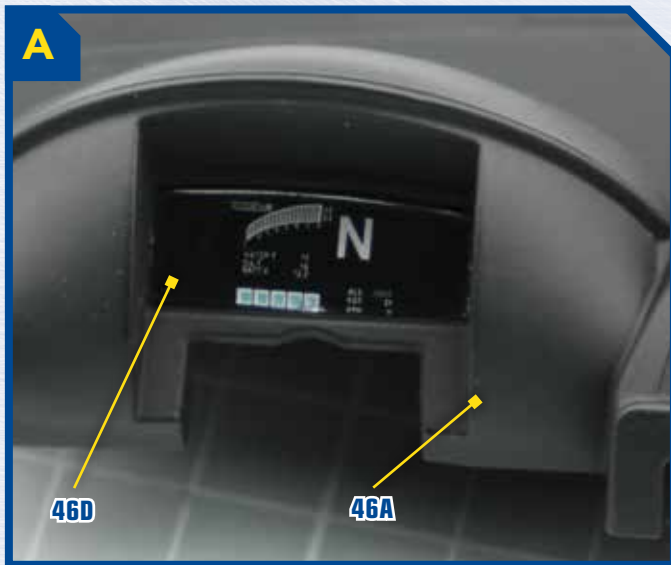


46 PARTS LIST



- 46A** Dashboard
- 46B** Panel
- 46C** Knob
- 46D** Screen
- 46E** LED
- 46F** Fairleads (x4)

- AP** 2 screws (1.7x4mm)
- DM** 4 screws (1.7x3mm)

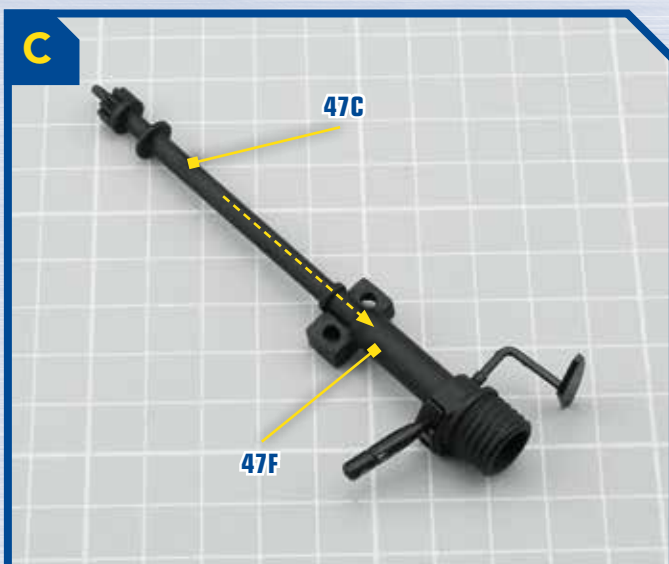
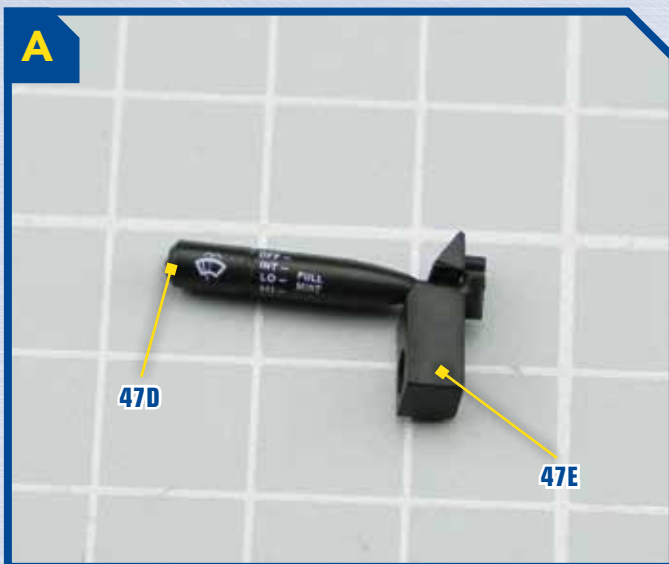


47 PARTS LIST



- 47A Horn button
- 47B Steering wheel
- 47C Steering column
- 47D Wiper lever
- 47E Lever base
- 47F Steering switch
- 47G Mount

- DM 2 screws (1.7x3mm)
- MM 2 screws (1.7x3x5mm)

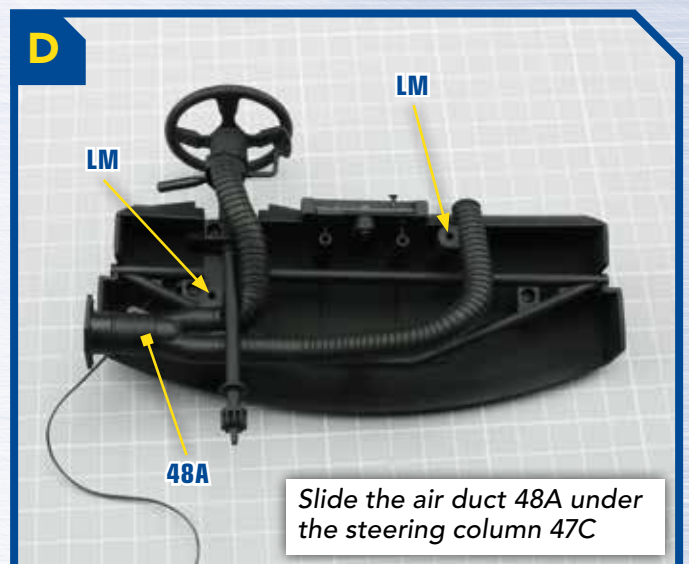
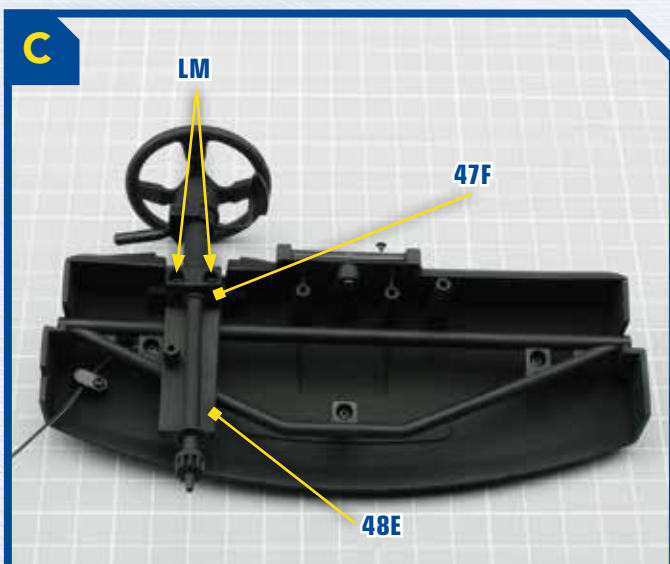
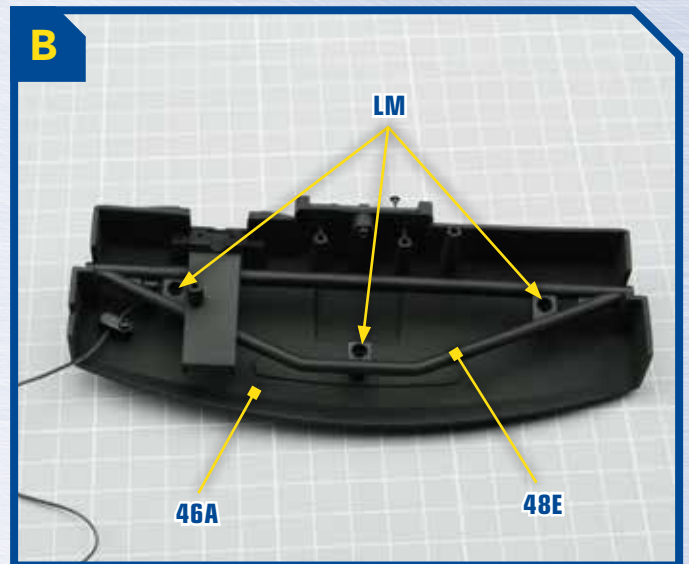
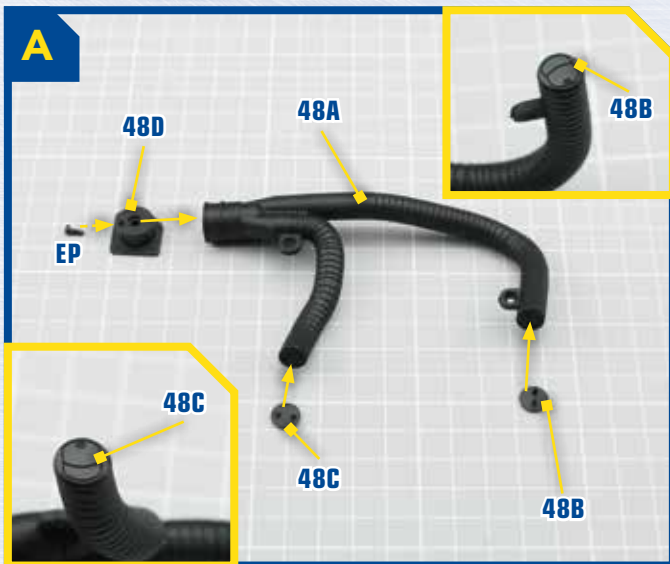


48 PARTS LIST



- 48A** Air duct
- 48B** Air intake 1
- 48C** Air intake 2
- 48D** Fan
- 48E** Roll bar

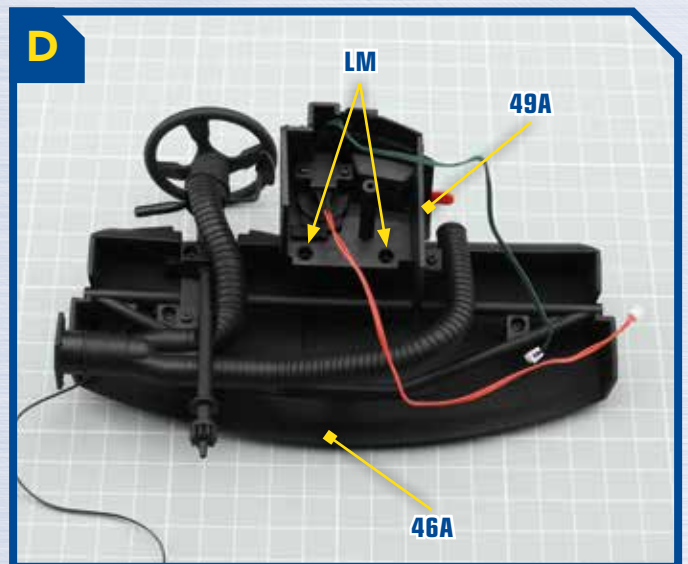
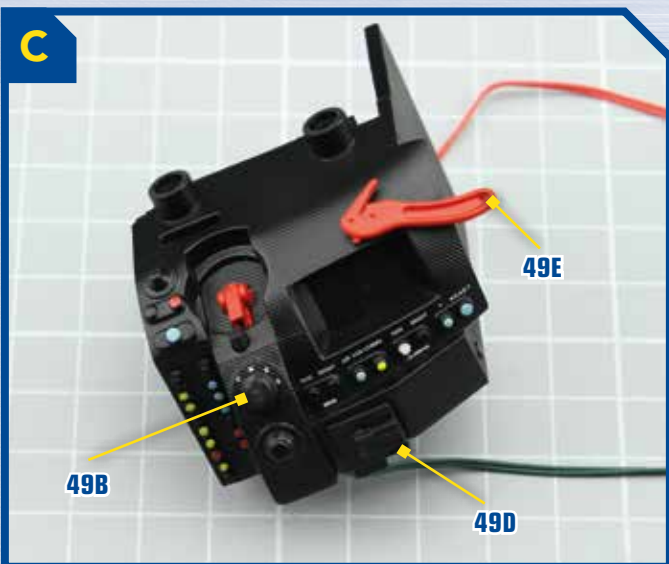
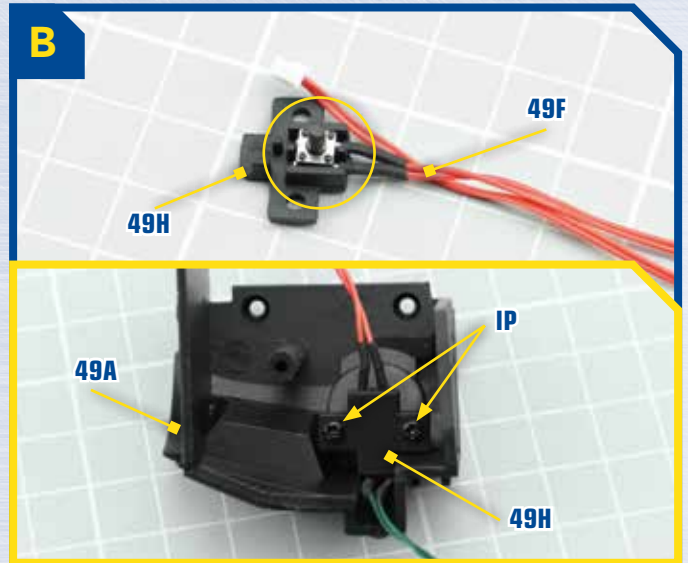
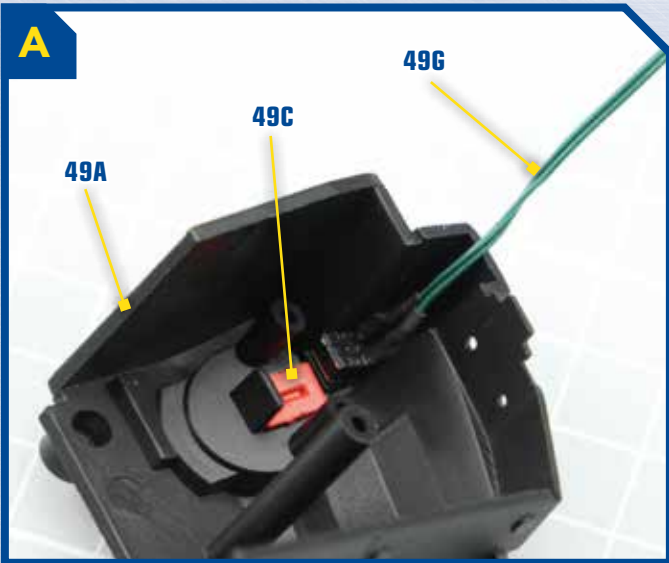
- EP** 2 screws (2x5mm)
- LM** 9 screws (2x4mm)



49 PARTS LIST

- 49A** Control panel
- 49B** Selector
- 49C** Button
- 49D** Cup holder
- 49E** Lever
- 49F** Switch 1
- 49G** Switch 2
- 49H** Base

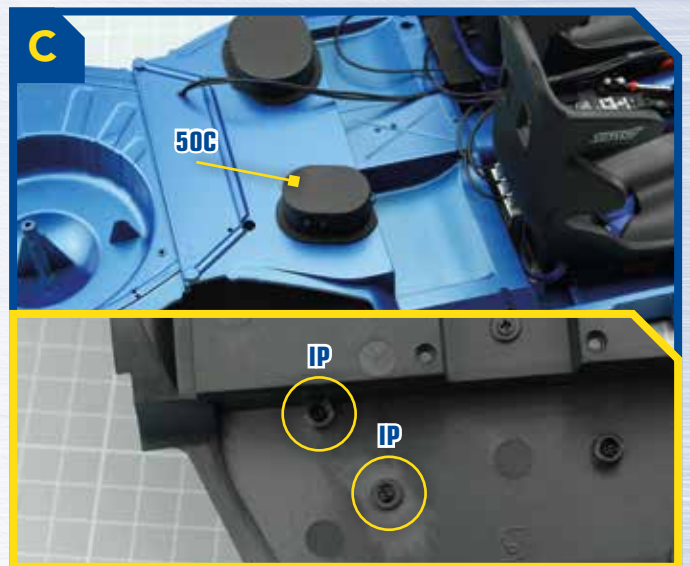
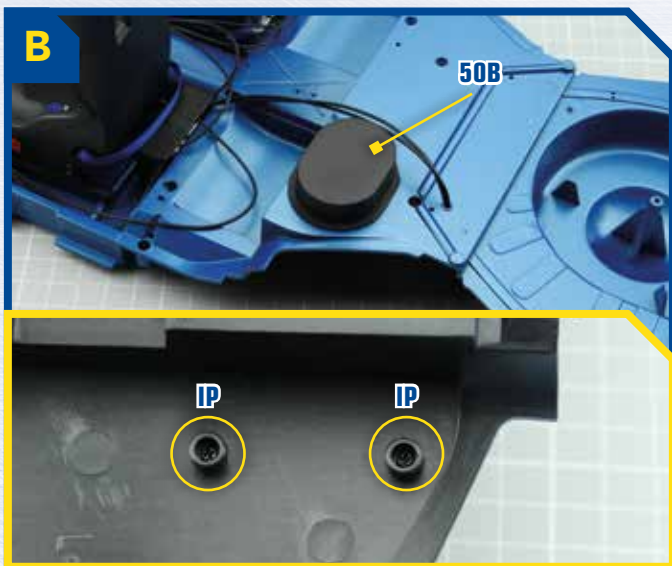
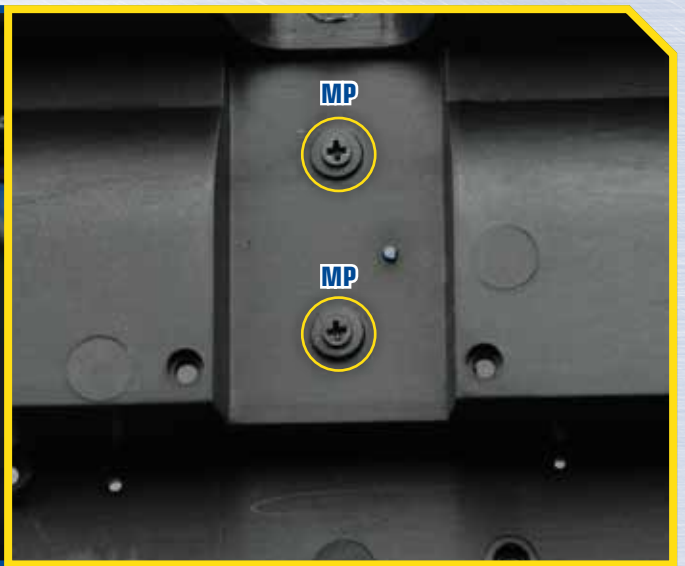
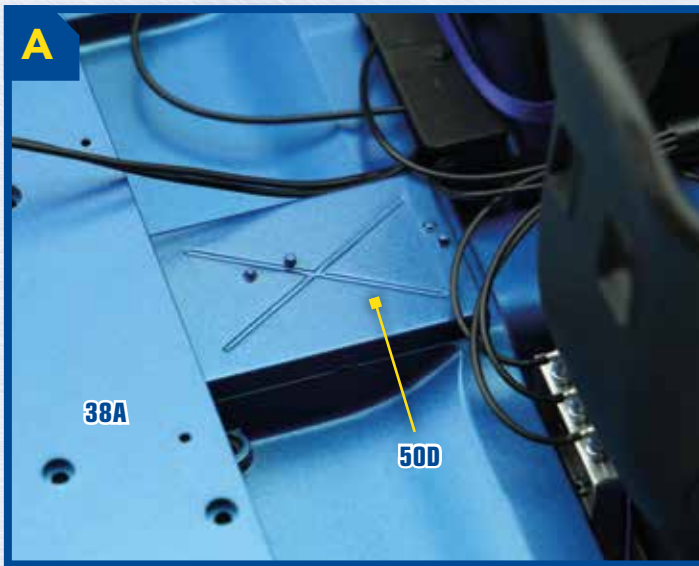
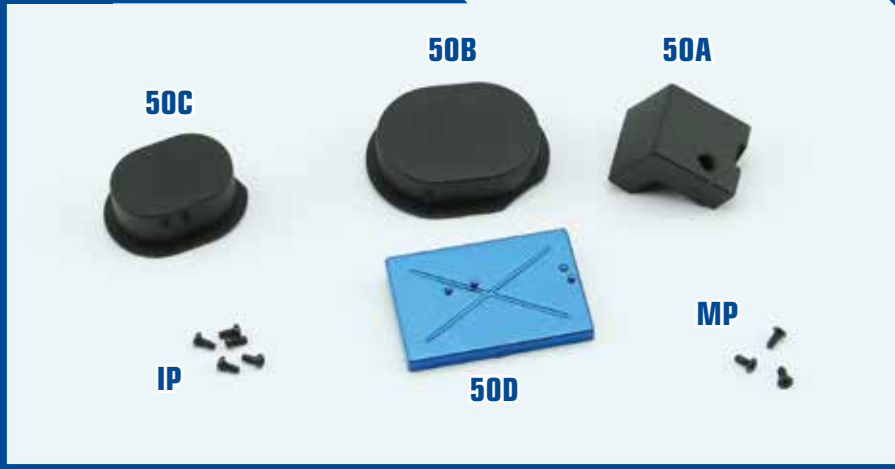
- IP** 3 screws (2x4mm)
- LM** 3 screws (2x4mm)



50 PARTS LIST

- 50A** Platform detail
- 50B** Tank 1
- 50C** Tank 2
- 50D** Panel

- IP** 5 screws (2x4mm)
- MP** 3 screws (2x5mm)



D

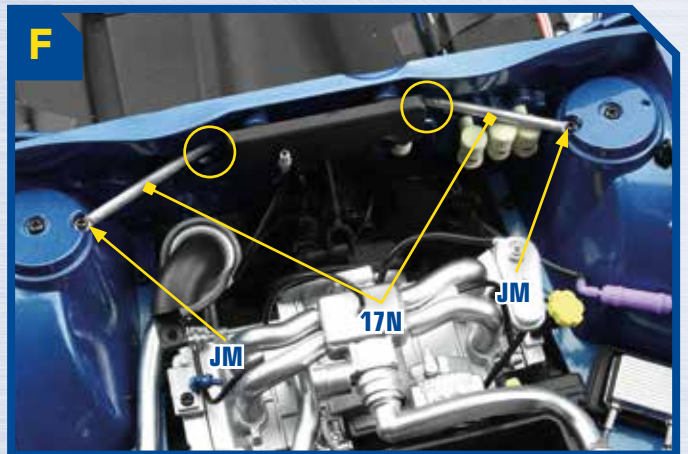
Install body panel 17A on front mudguards and secure them with two EP screws (stage 17)



E



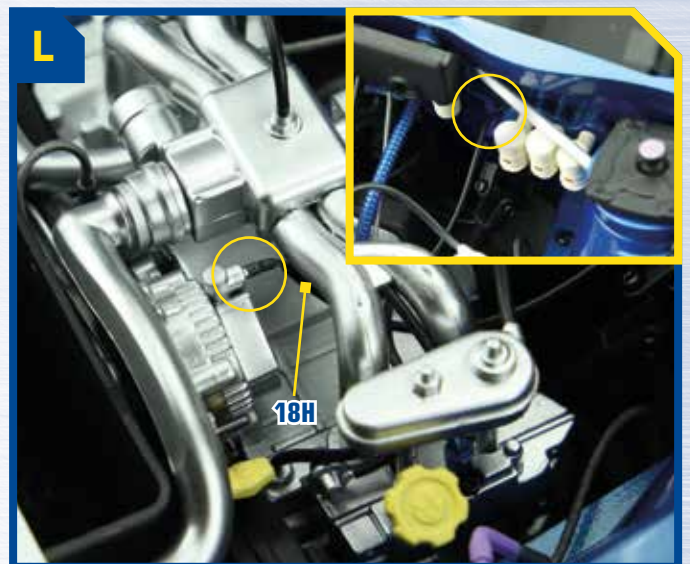
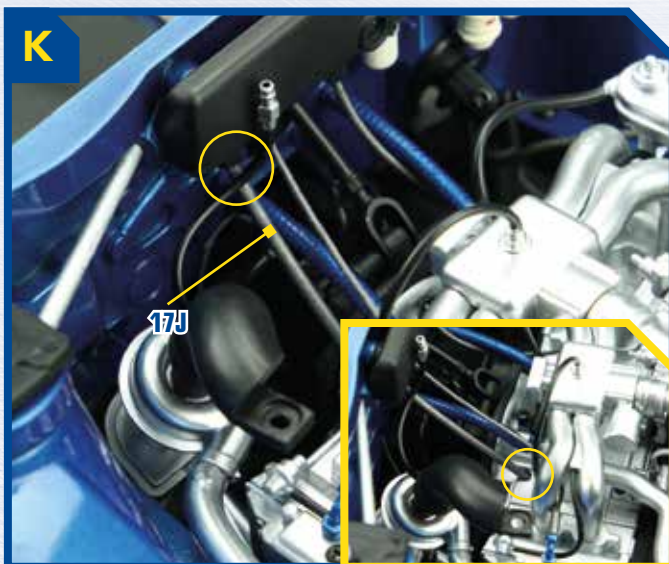
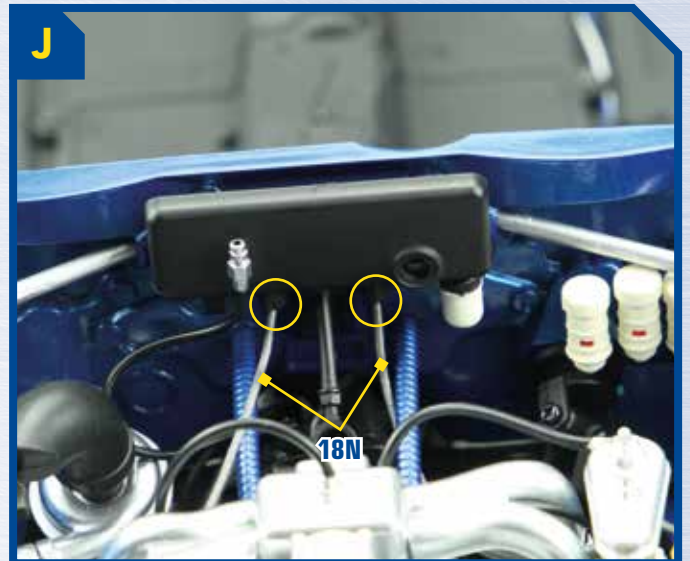
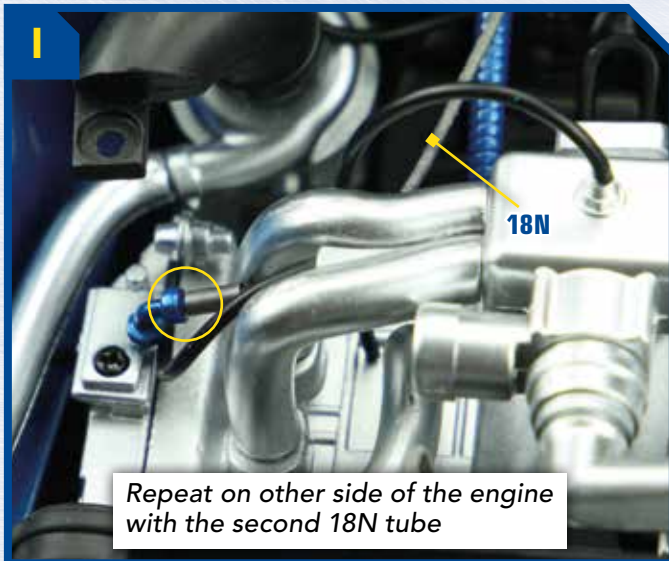
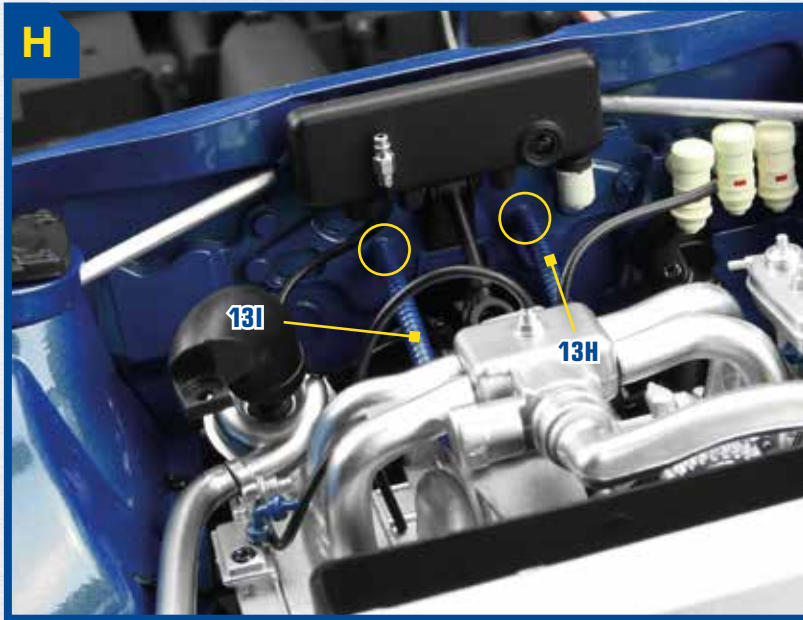
F



G



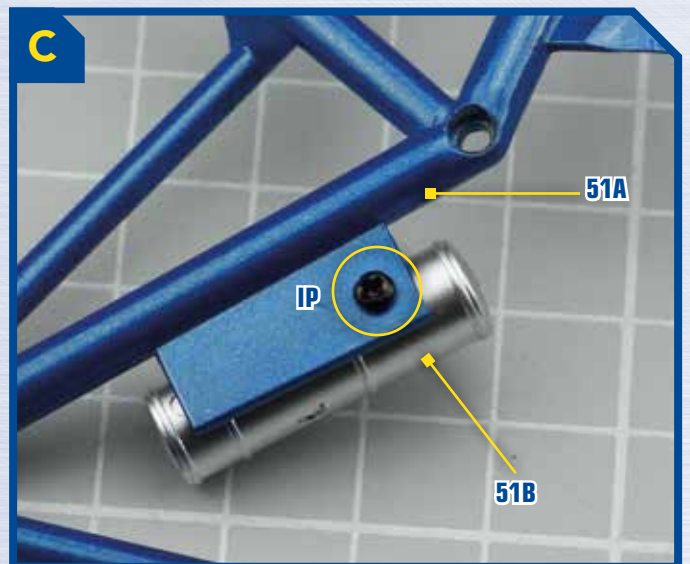
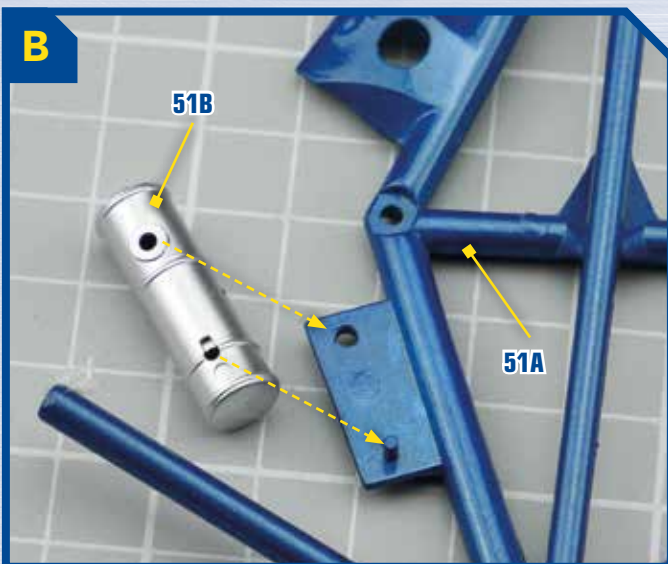
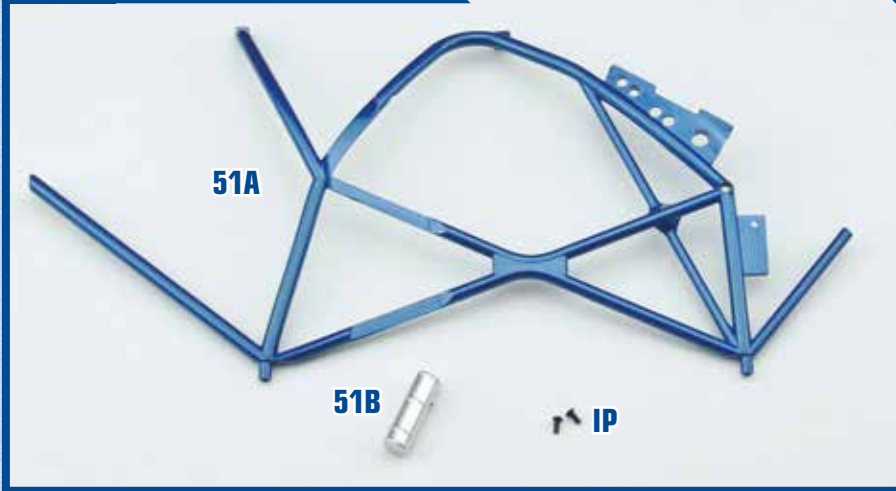
Install supports (stage 17 step E) on front mudguards



51 PARTS LIST

51A Roll cage element
51B Tank

IP 2 screws (2x4mm)



52 PARTS LIST

52A Roll cage element

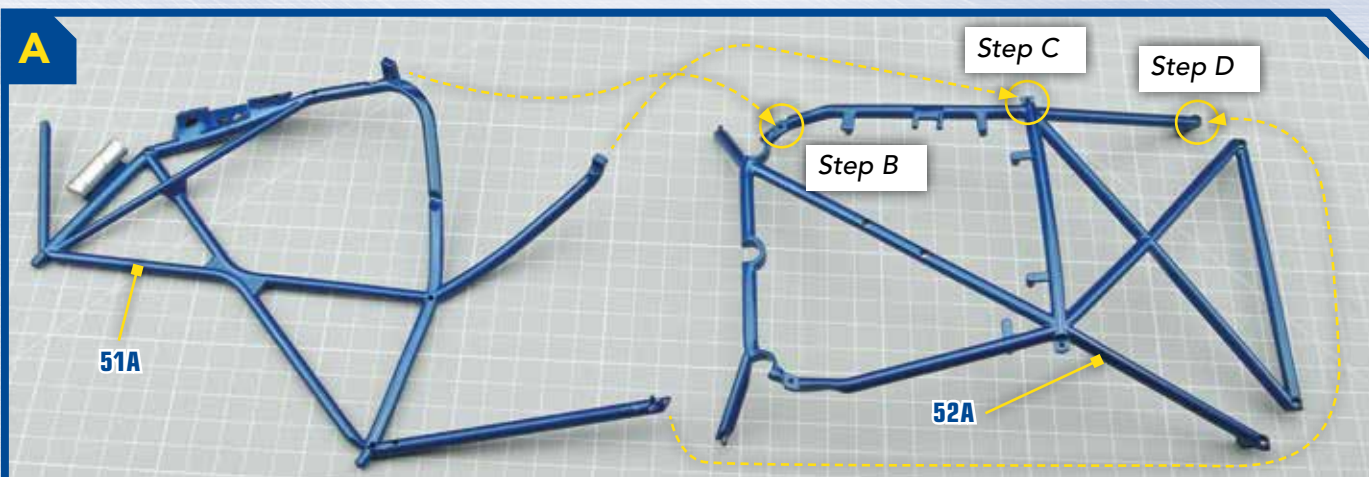
SM 4 screws (1.7x3.5mm)

52A

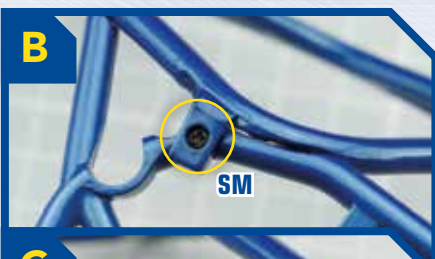
SM



A



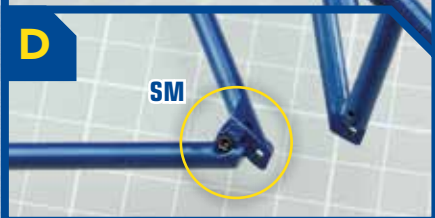
B



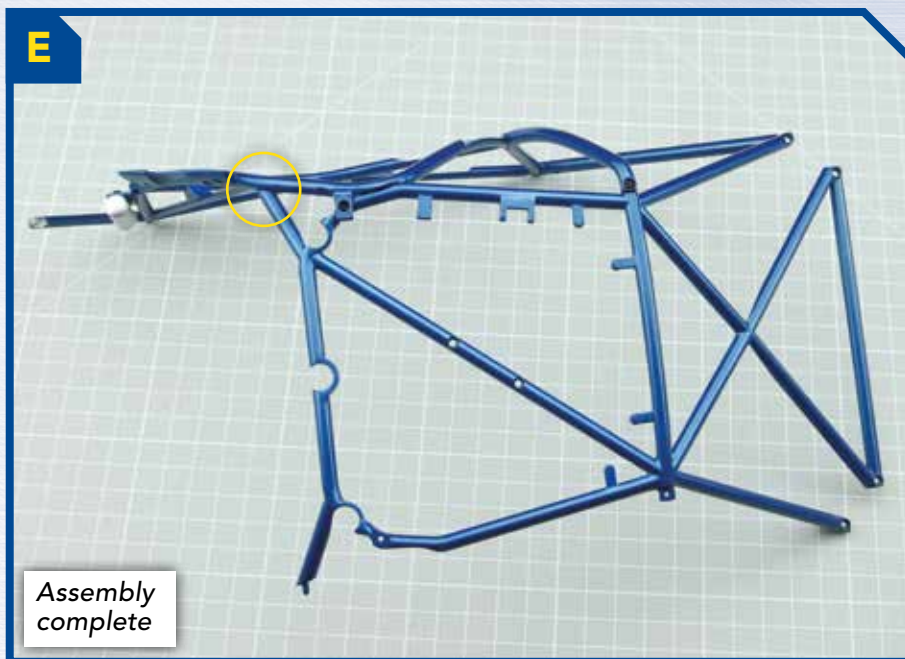
C



D



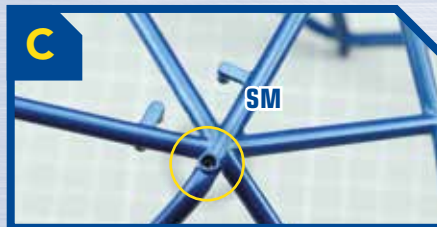
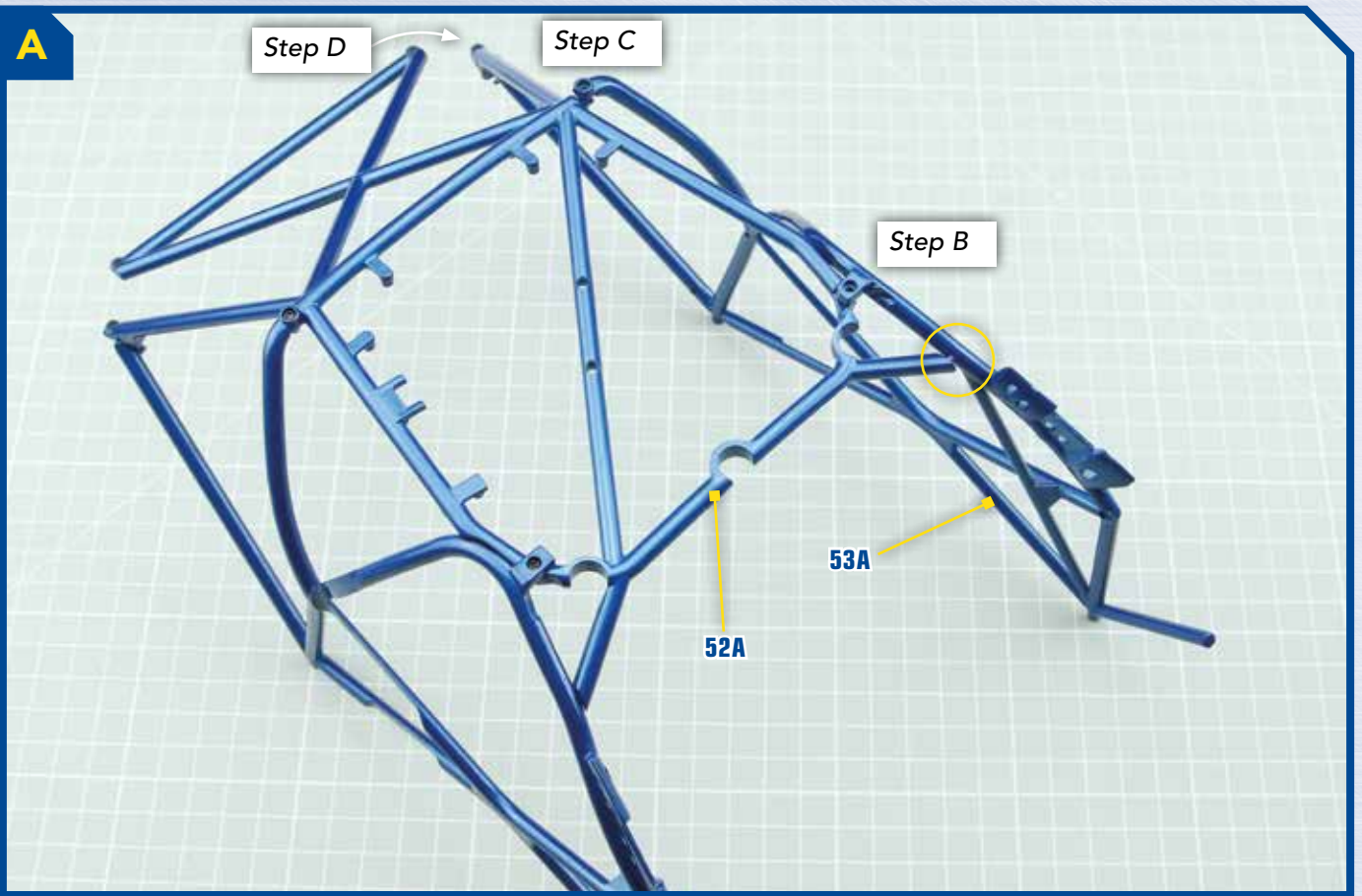
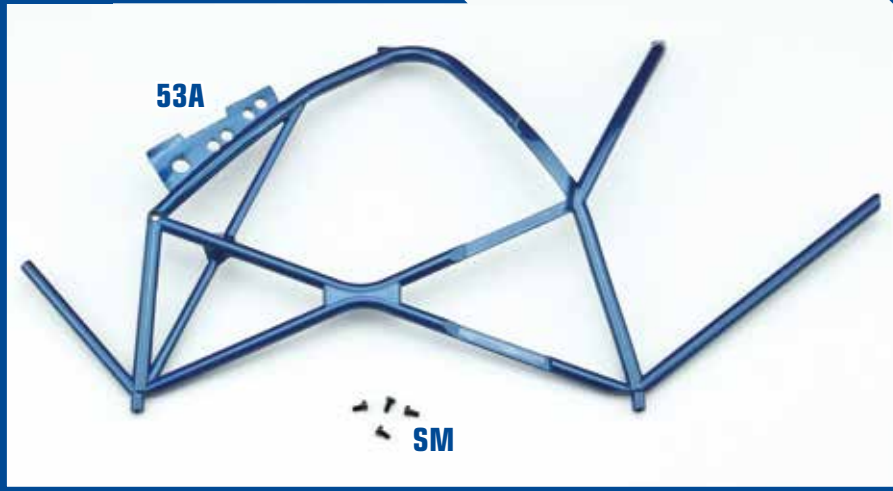
E



53 PARTS LIST

53A Roll cage element

SM 4 screws (1.7x3.5mm)

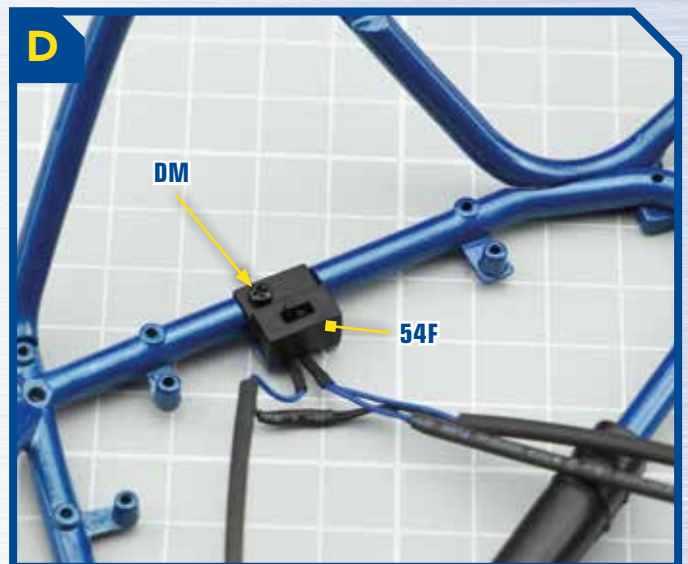
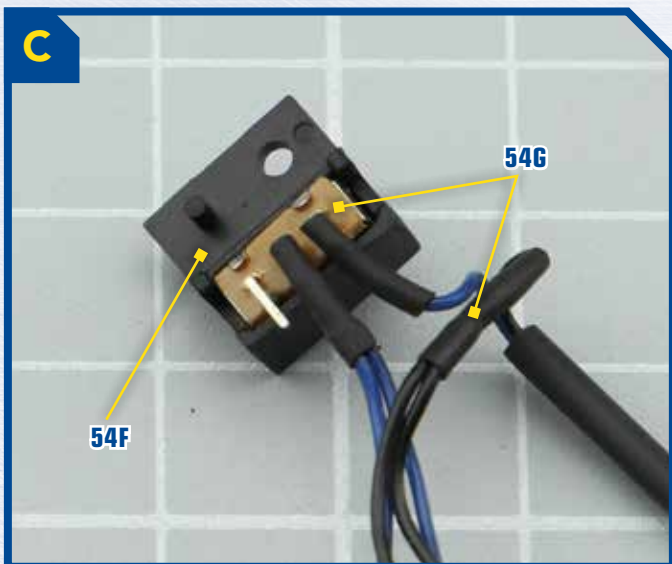
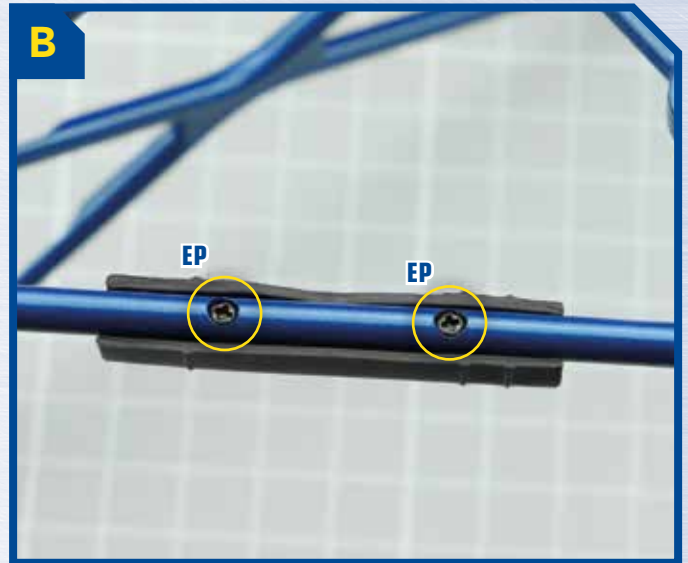


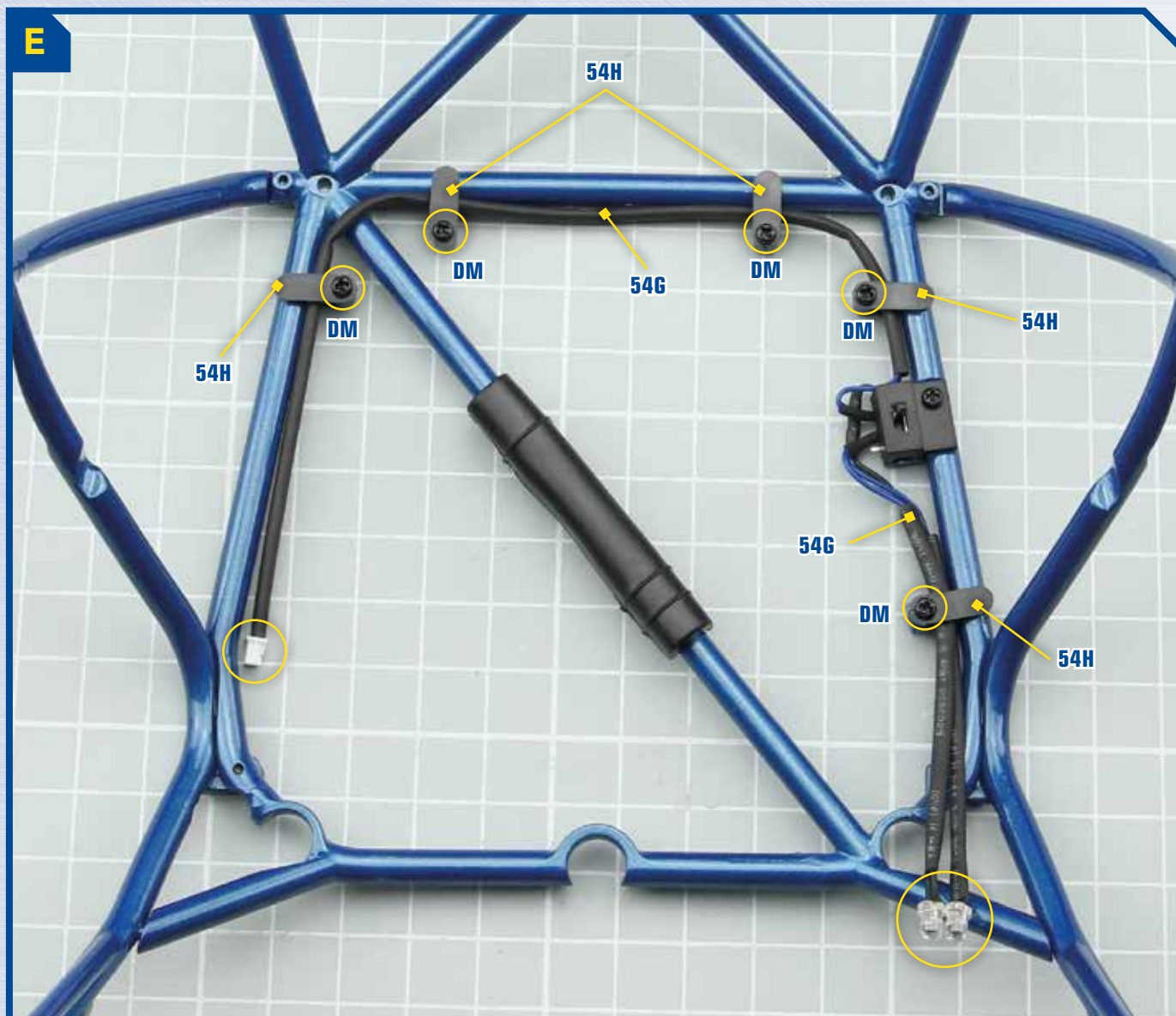
54 PARTS LIST



- 54A Rod 1
- 54B Rod 2
- 54C Rod 3
- 54D Rod 4
- 54E Padding
- 54F Switch base
- 54G Switch
- 54H Fairleads (x5)
- 54I Tape

- EP 3 screws (2x5mm)
- DM 8 screws (1.7x3mm)

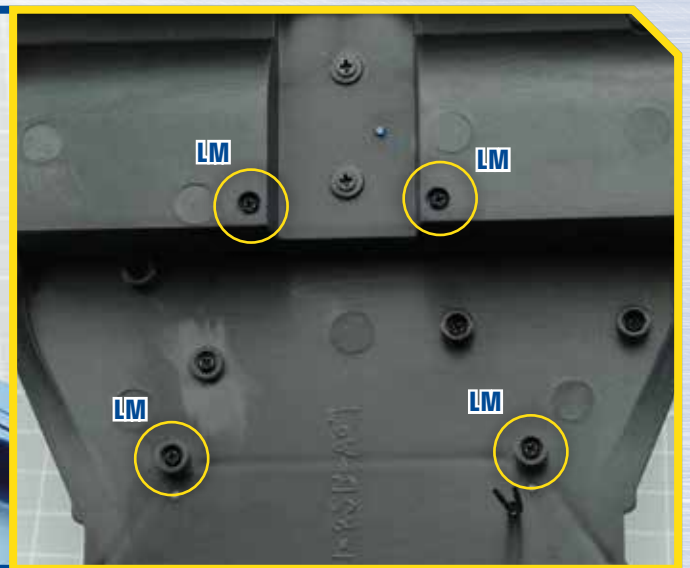
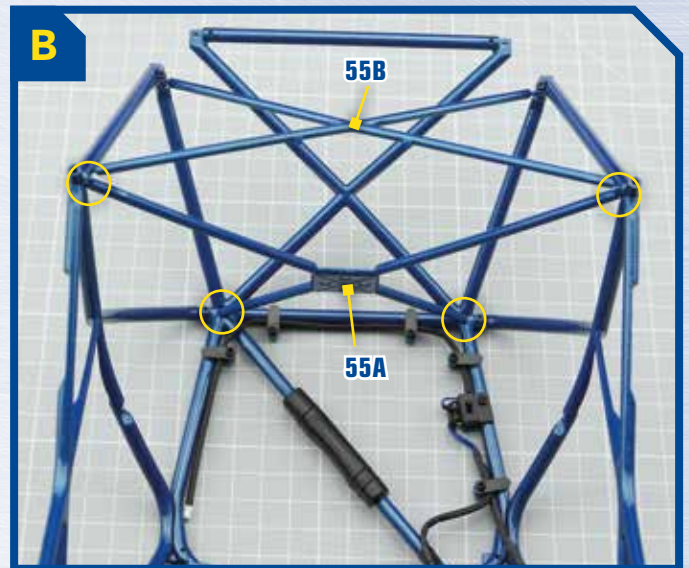
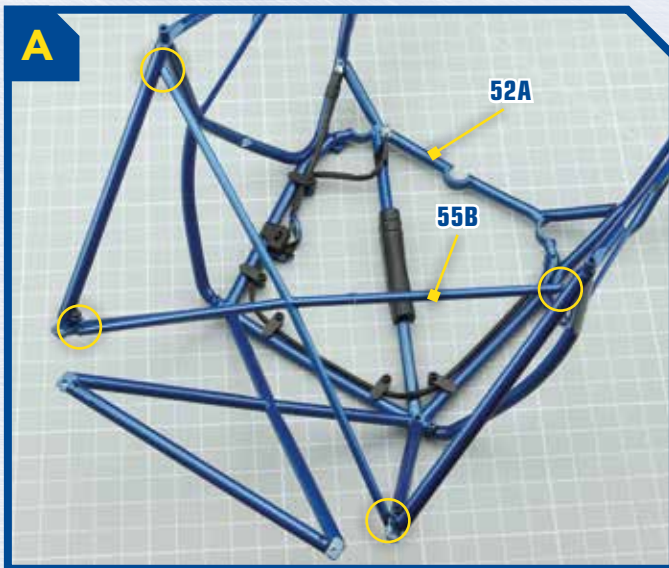
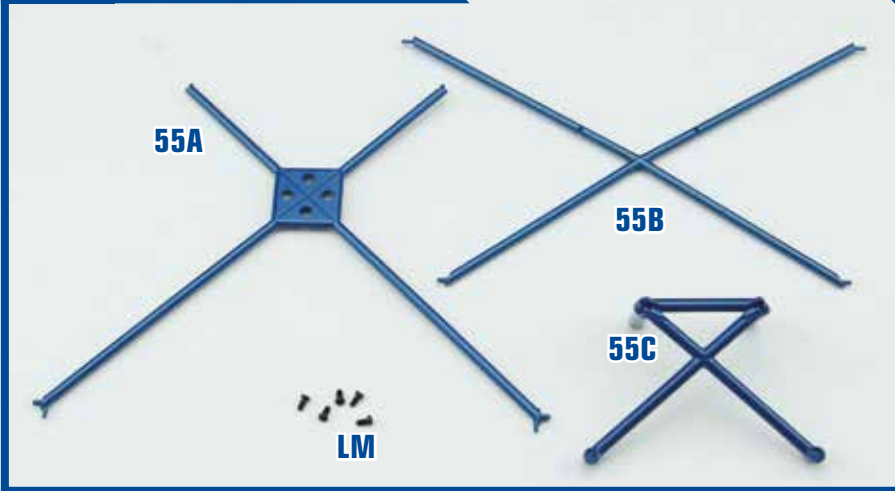




55 PARTS LIST

- 54A** Roll cage element 1
- 55B** Roll cage element 2
- 55C** Roll cage element 3

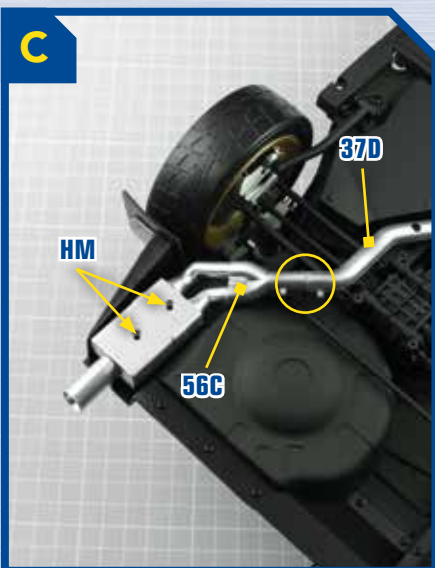
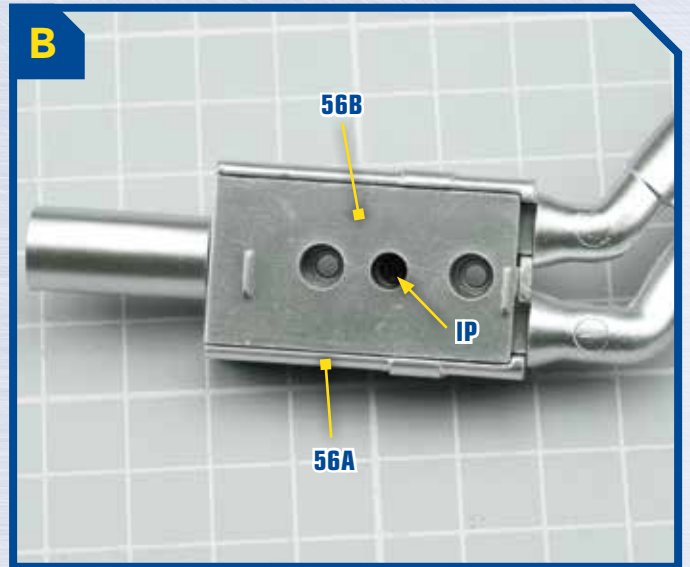
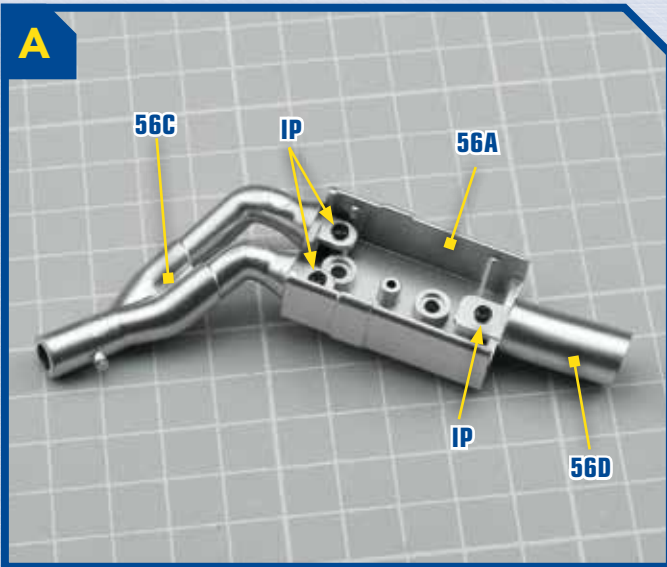
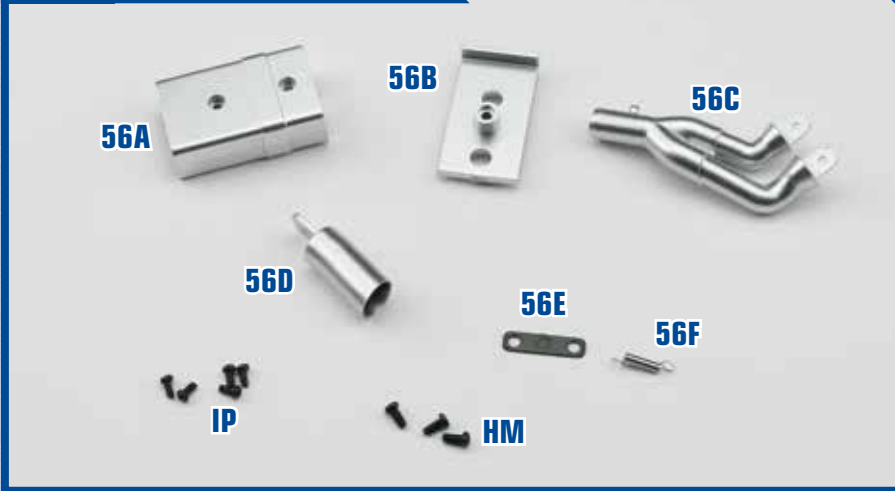
LM 5 screws (2x4mm)



56 PARTS LIST

- 56A** Silencer base
- 56B** Silencer cover
- 56C** Exhaust pipe 1
- 56D** Exhaust pipe 2
- 56E** Plate
- 56F** Spring

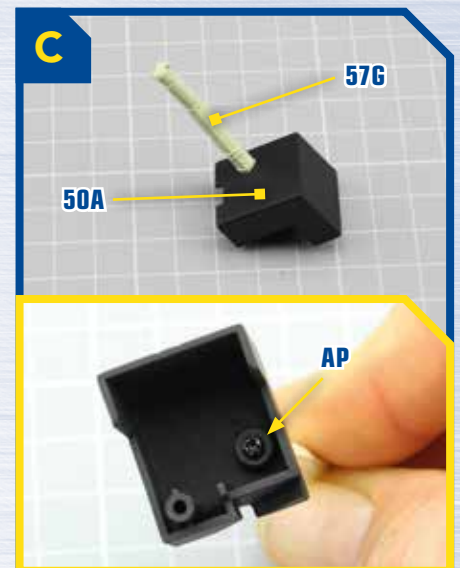
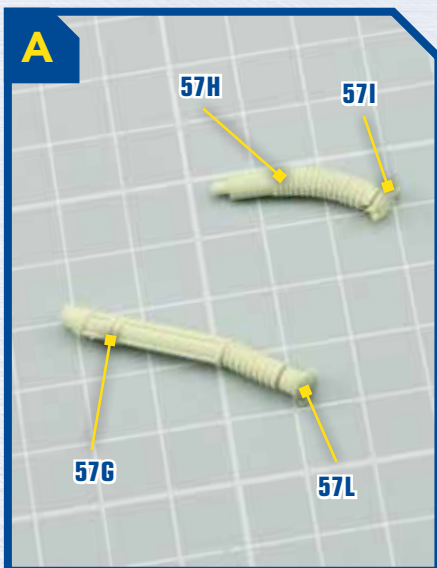
- IP** 5 screws (2x4mm)
- HM** 3 screws (2.3x5mm)

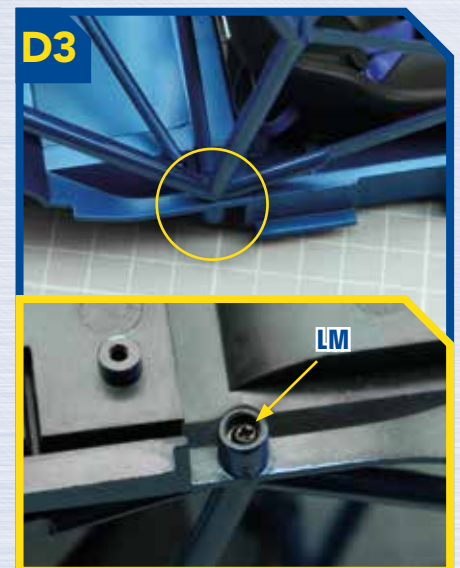
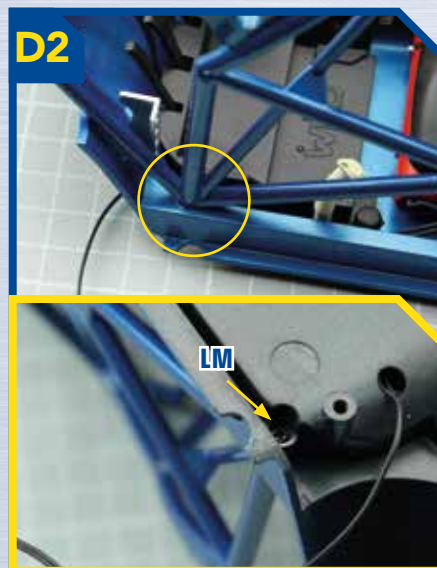
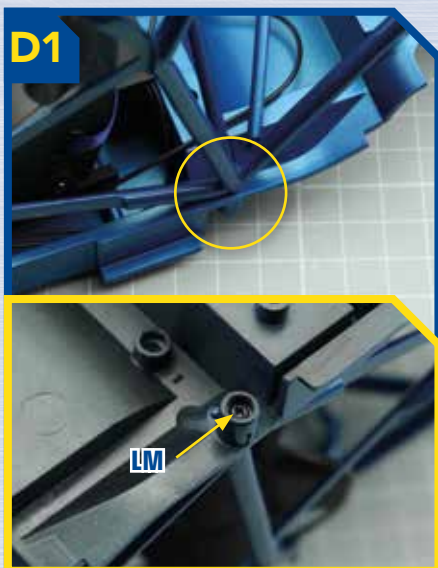
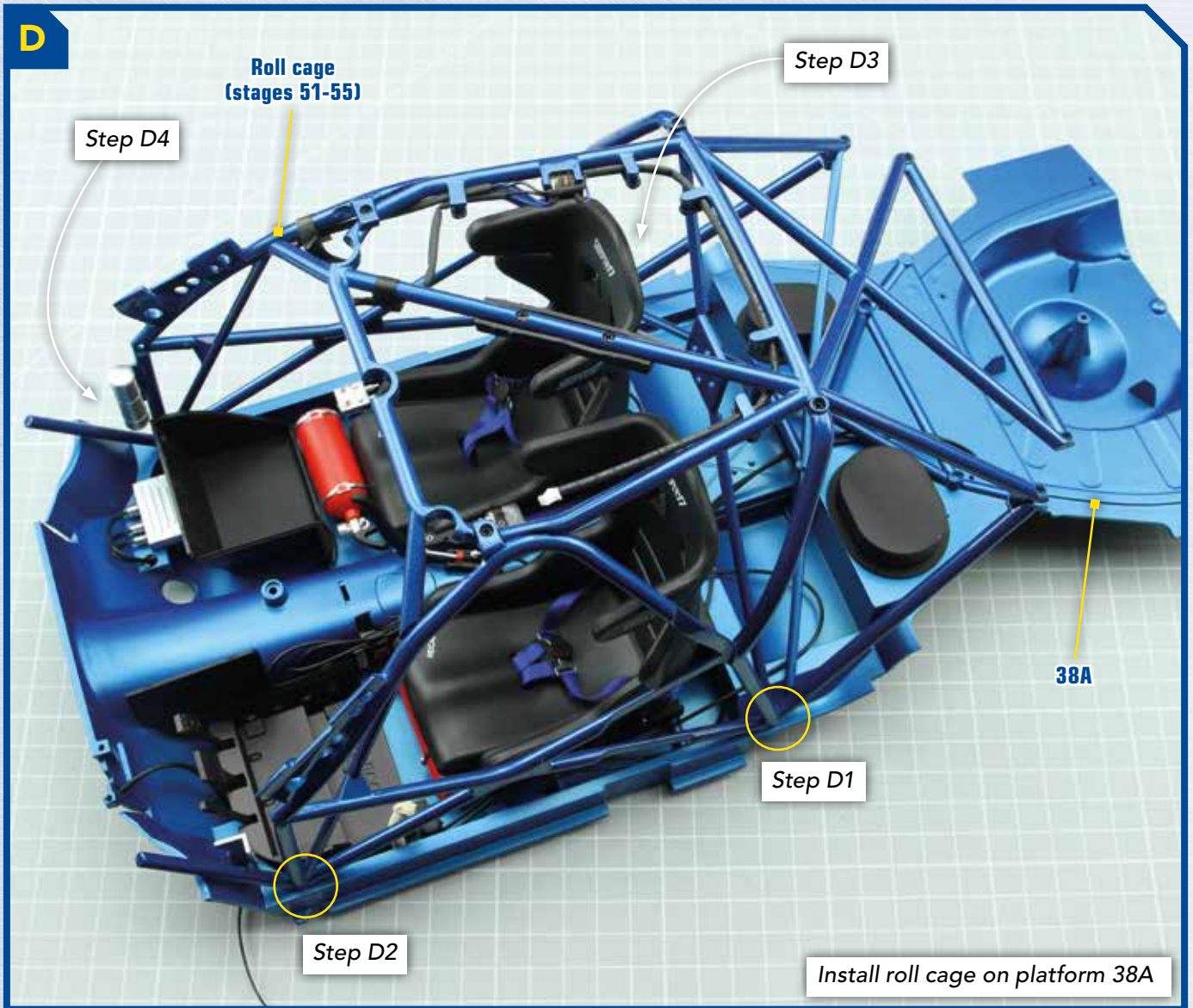


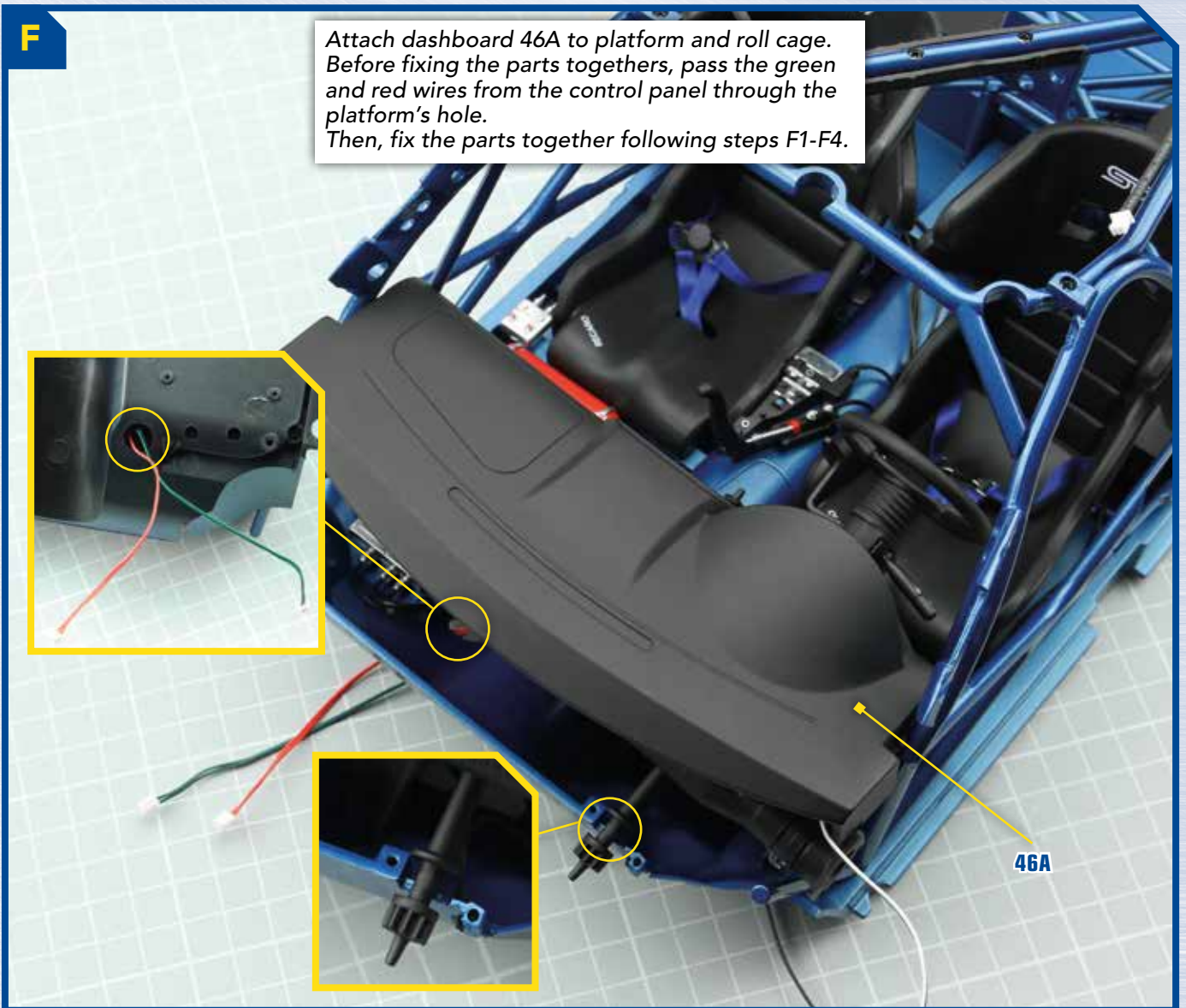
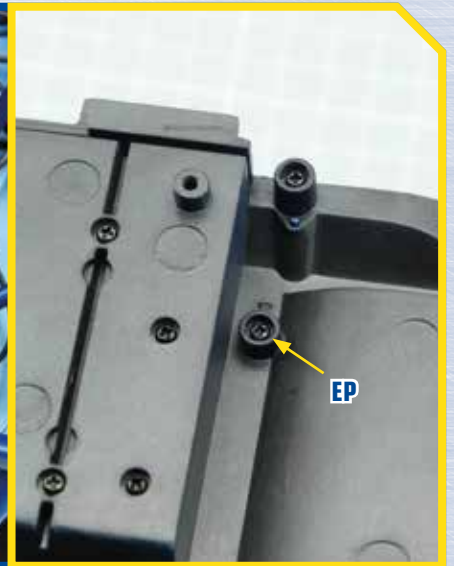
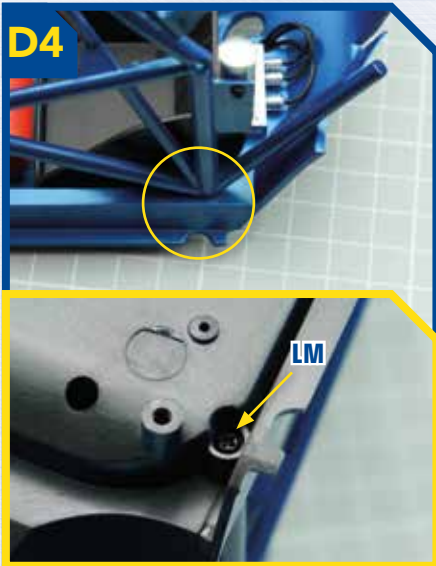
57 PARTS LIST

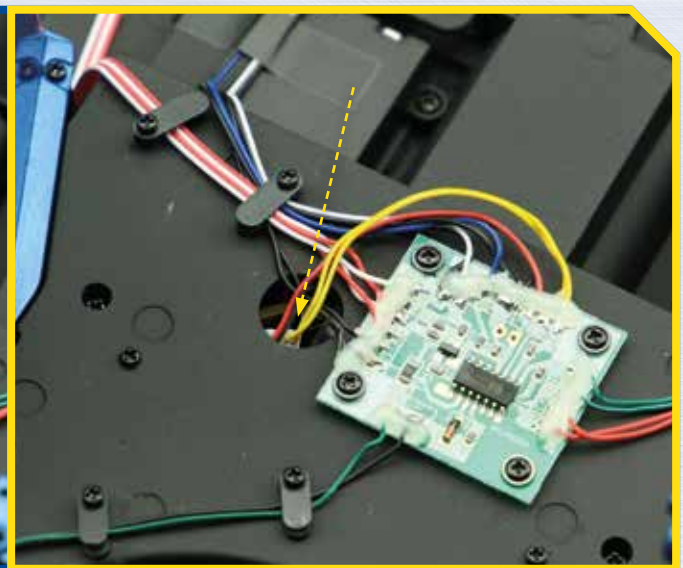
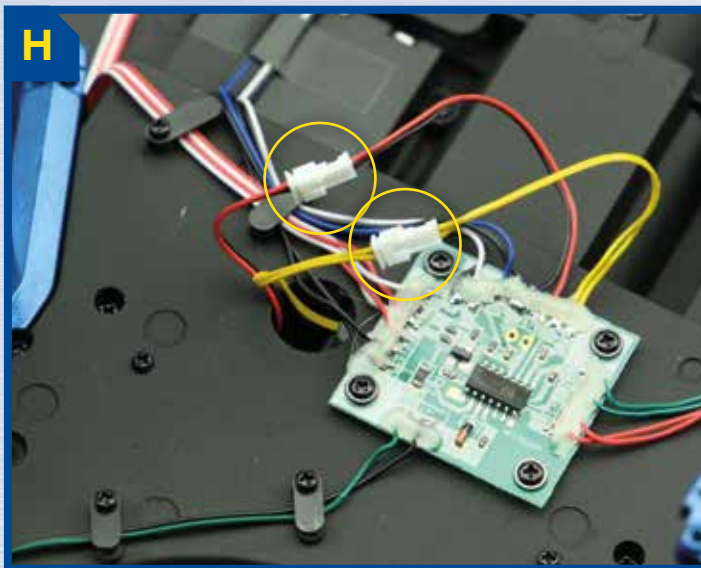
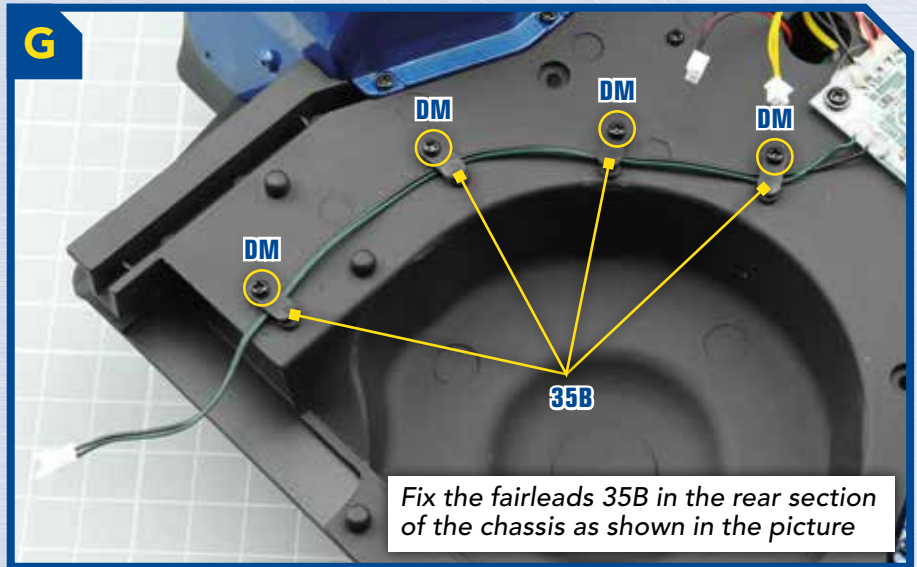
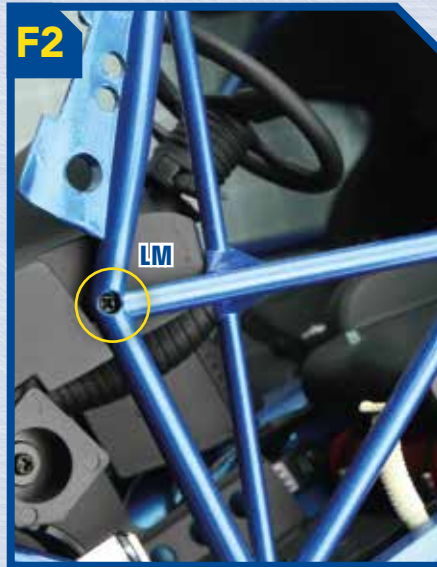


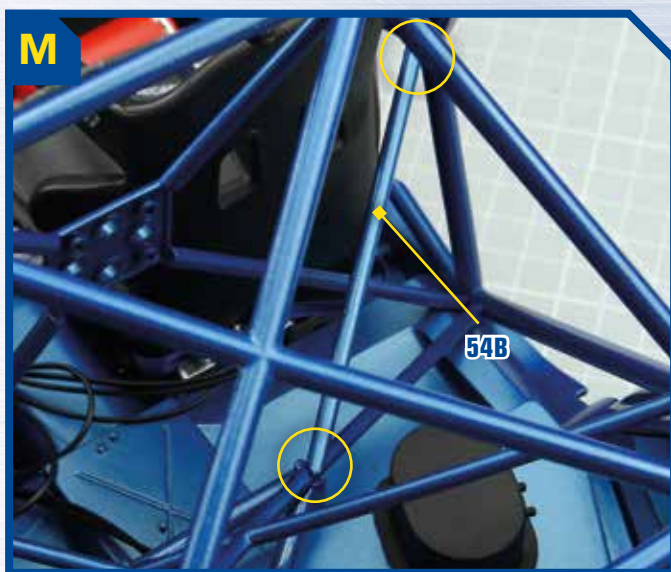
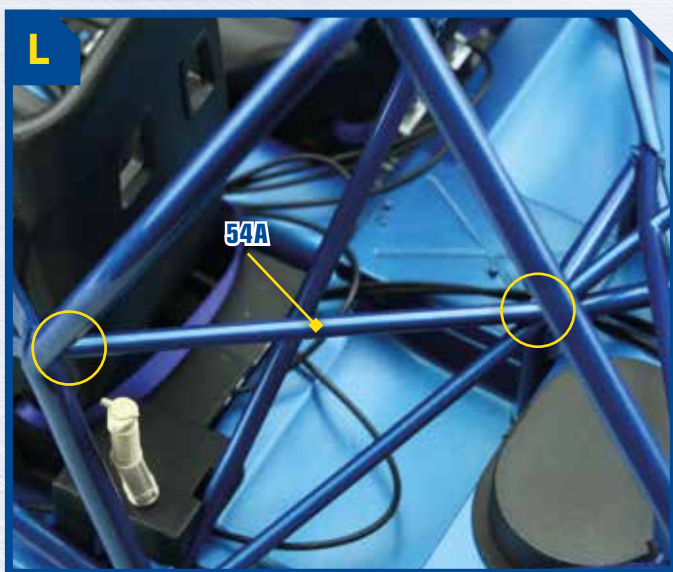
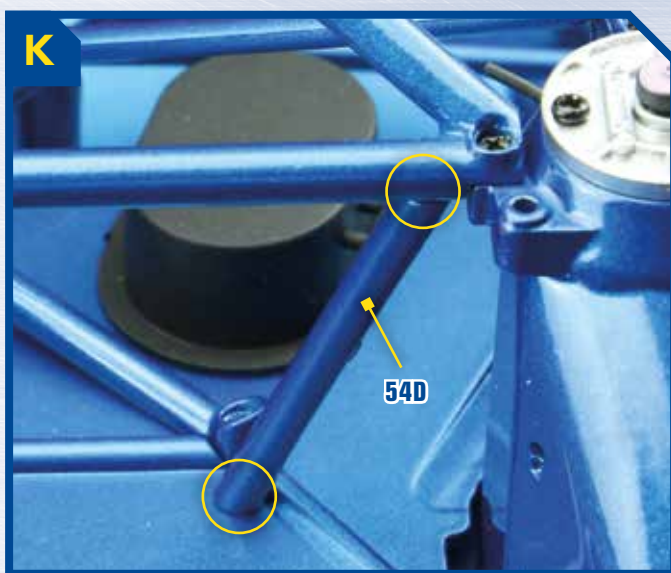
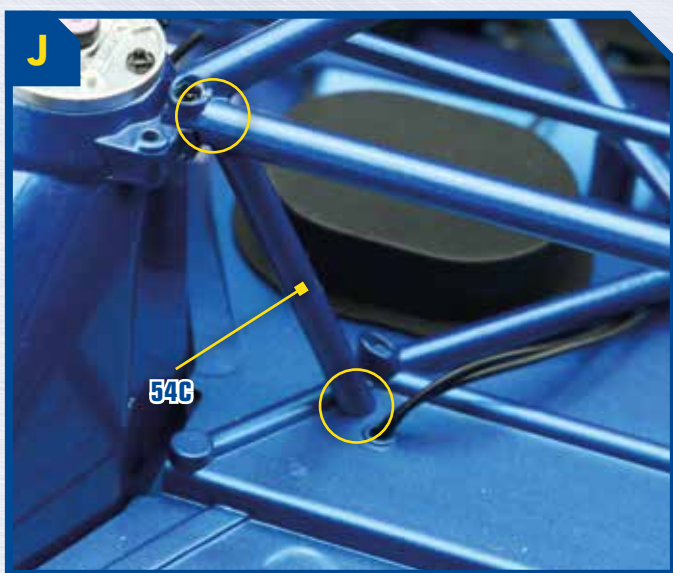
- | | | |
|-------------------------|---------------------|-------------------------------|
| 57A Filter 1 | 57I Valve 1 | AP 2 screws (1.7x4mm) |
| 57B Tubes 1 (x2) | 57J Filter 2 | EP 4 screws (2x5mm) |
| 57C Tube 2 | 57K Filter 3 | NP 8 screws (2.3x5mm) |
| 57D Tube 3 | 57L Valve 2 | DM 10 screws (1.7x3mm) |
| 57E Tube 4 | 57M Filter 4 | KM 3 screws (1.5x3mm) |
| 57F Tubes 5 (x2) | 57N Tube 8 | LM 8 screws (2x4mm) |
| 57G Tube 6 | 57O Tube 9 | |
| 57H Tube 7 | | |





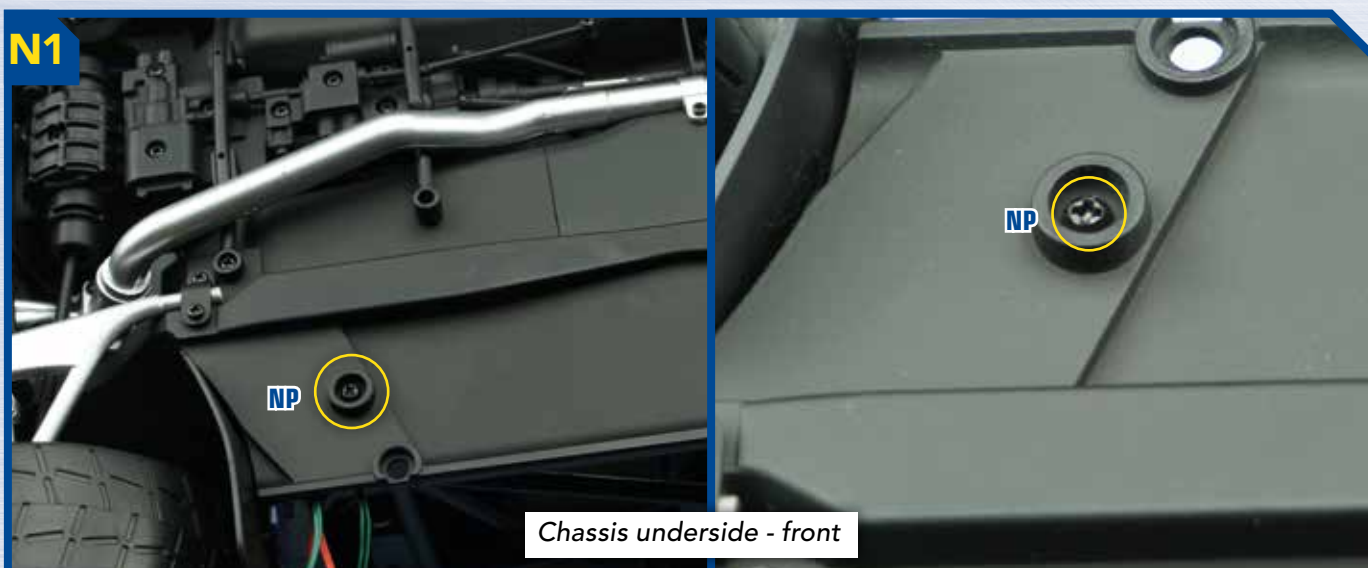








Attach platform to chassis



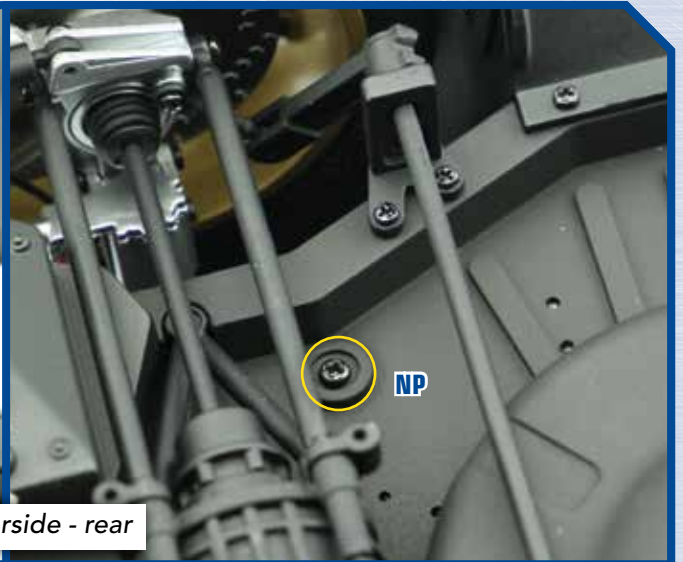
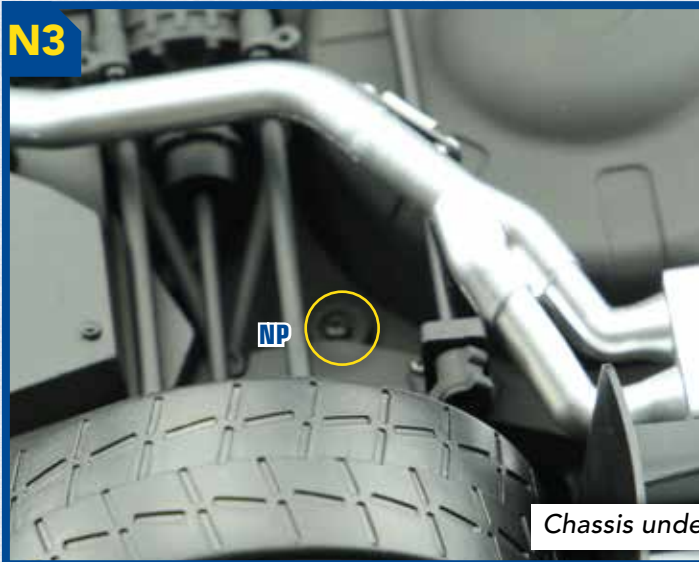
Chassis underside - front

N2



Chassis underside - middle

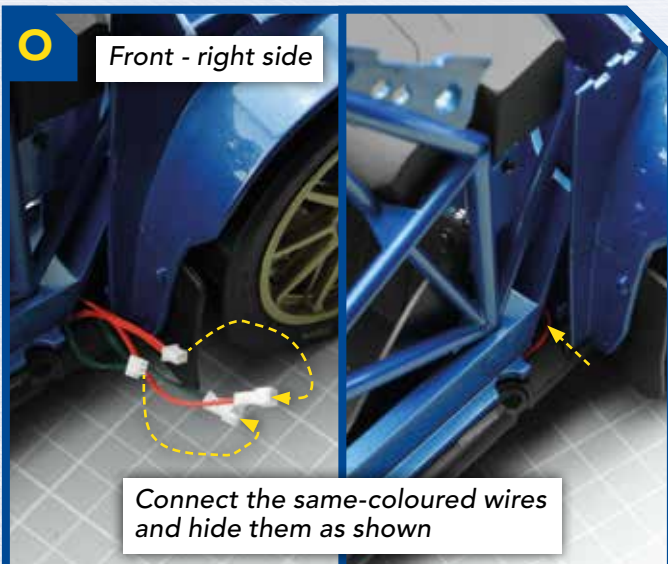
N3



Chassis underside - rear

O

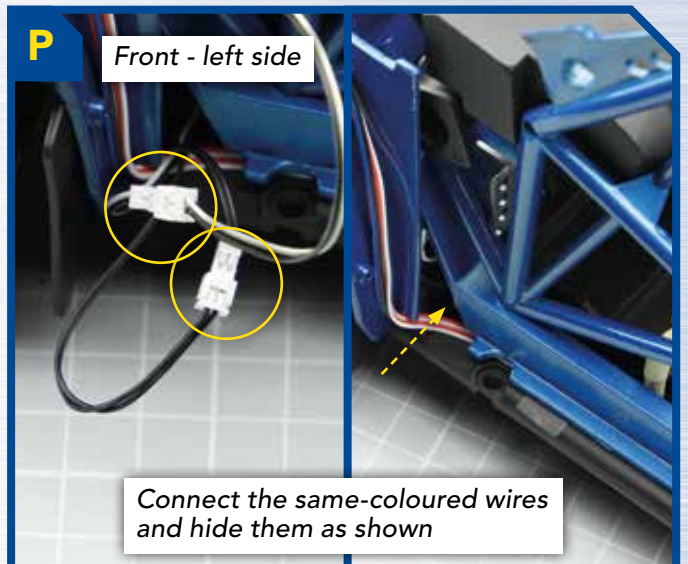
Front - right side



Connect the same-coloured wires and hide them as shown

P

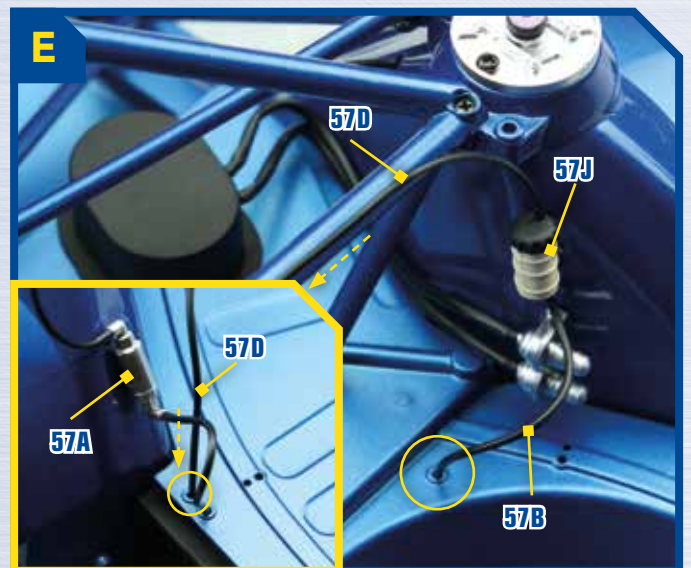
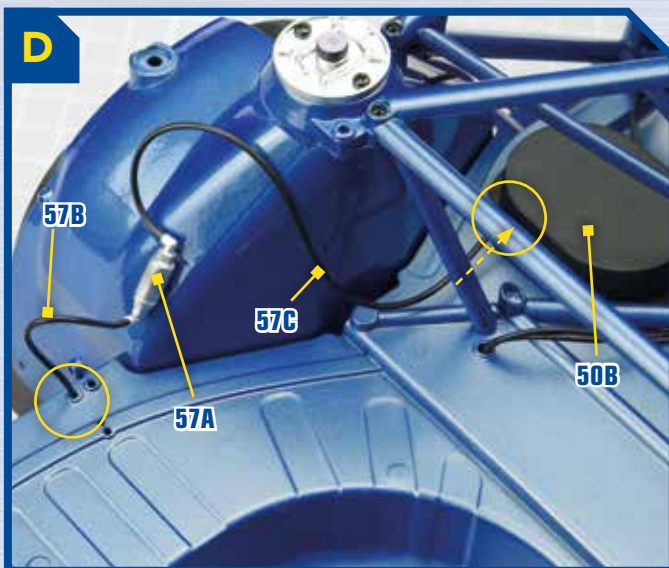
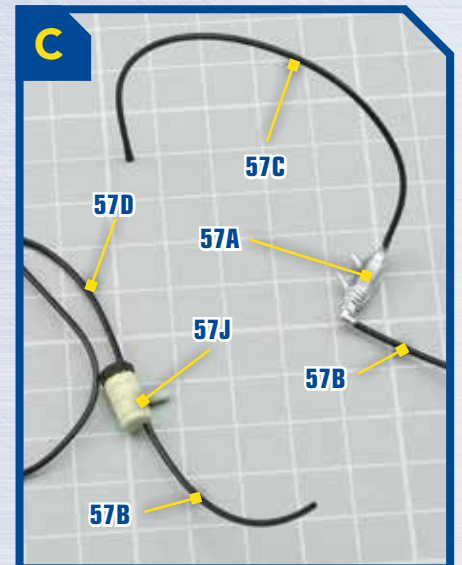
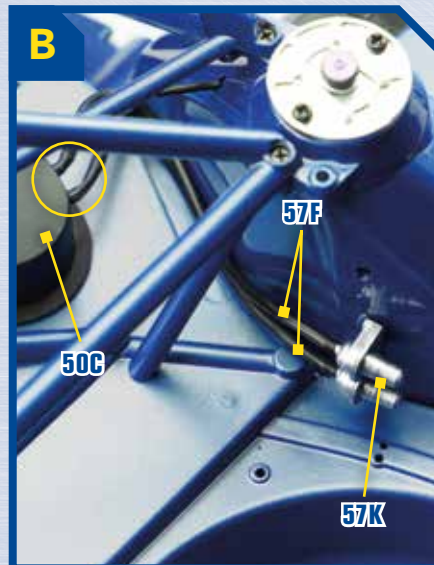
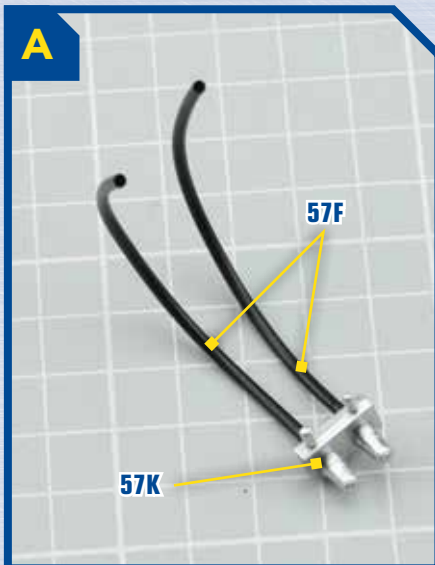
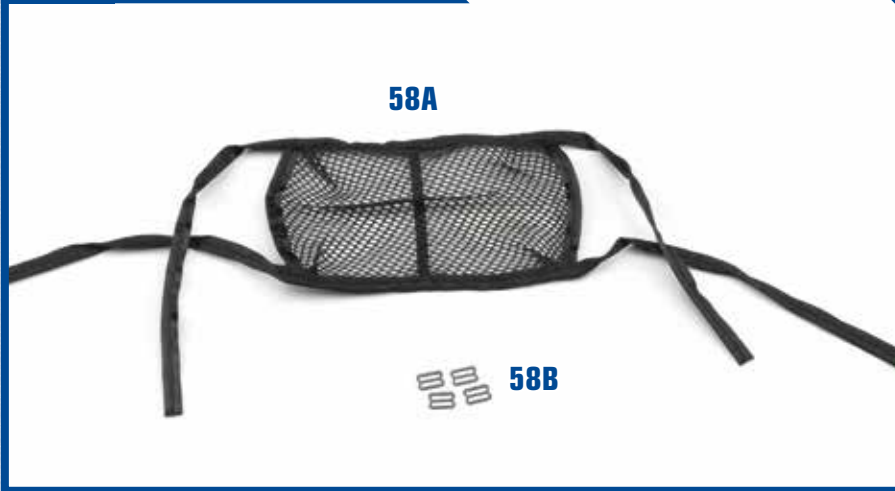
Front - left side

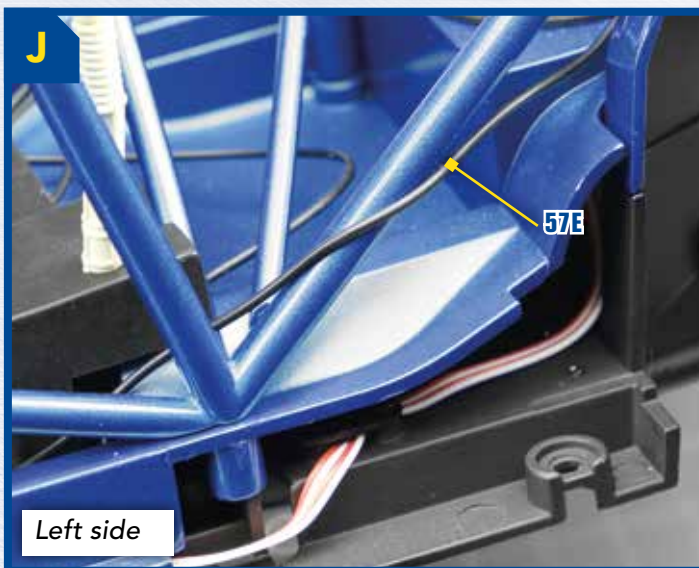
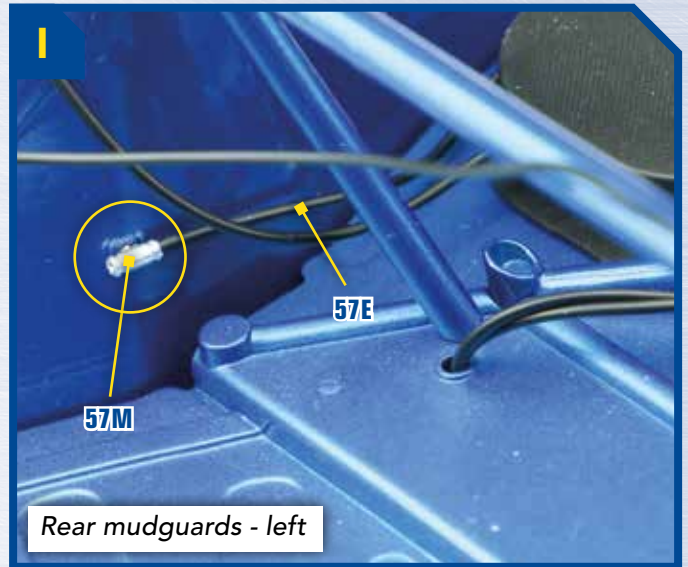
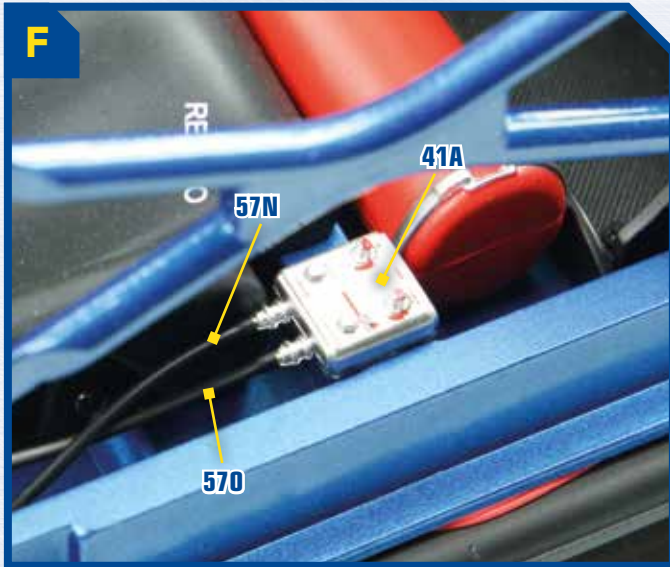


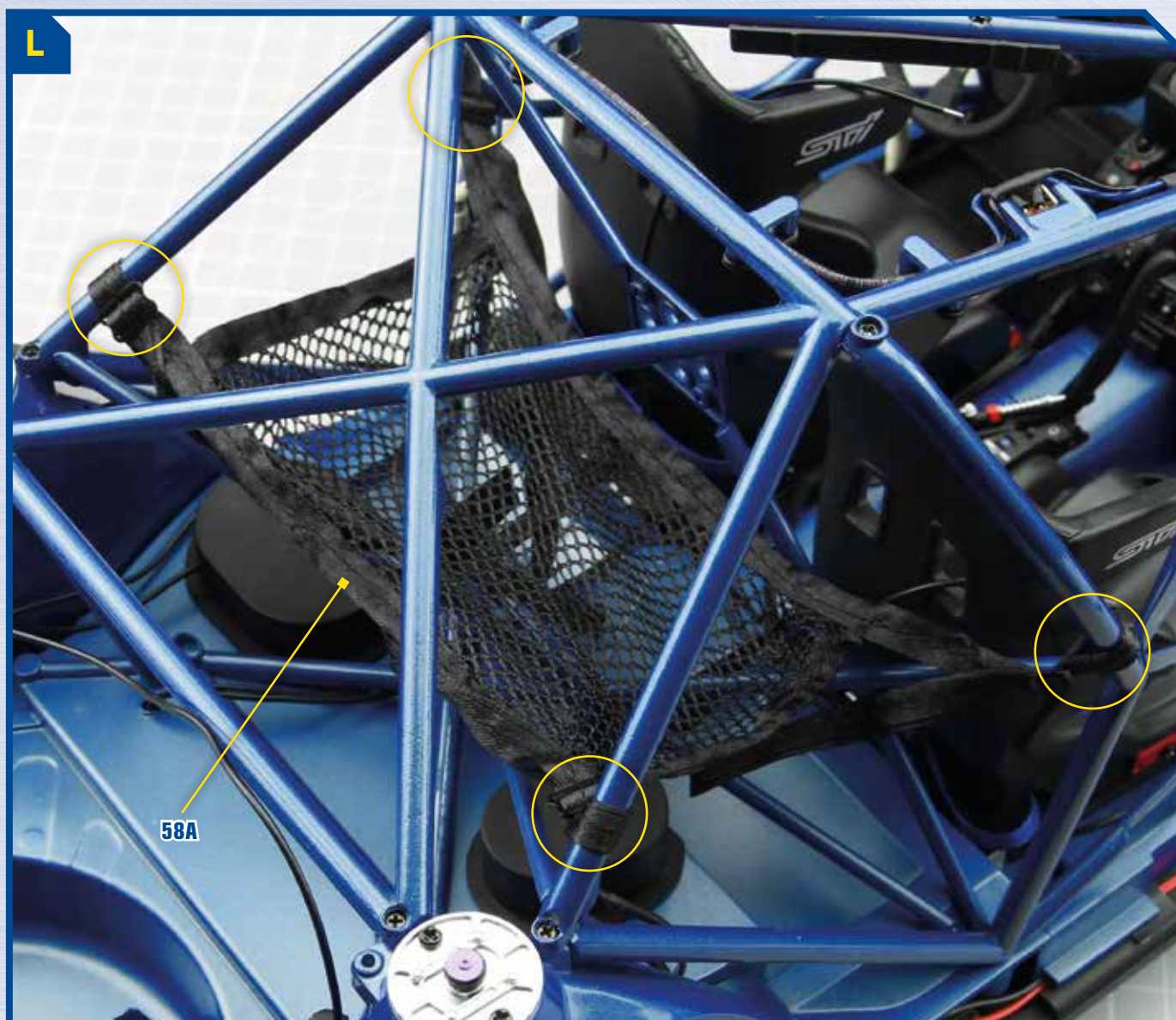
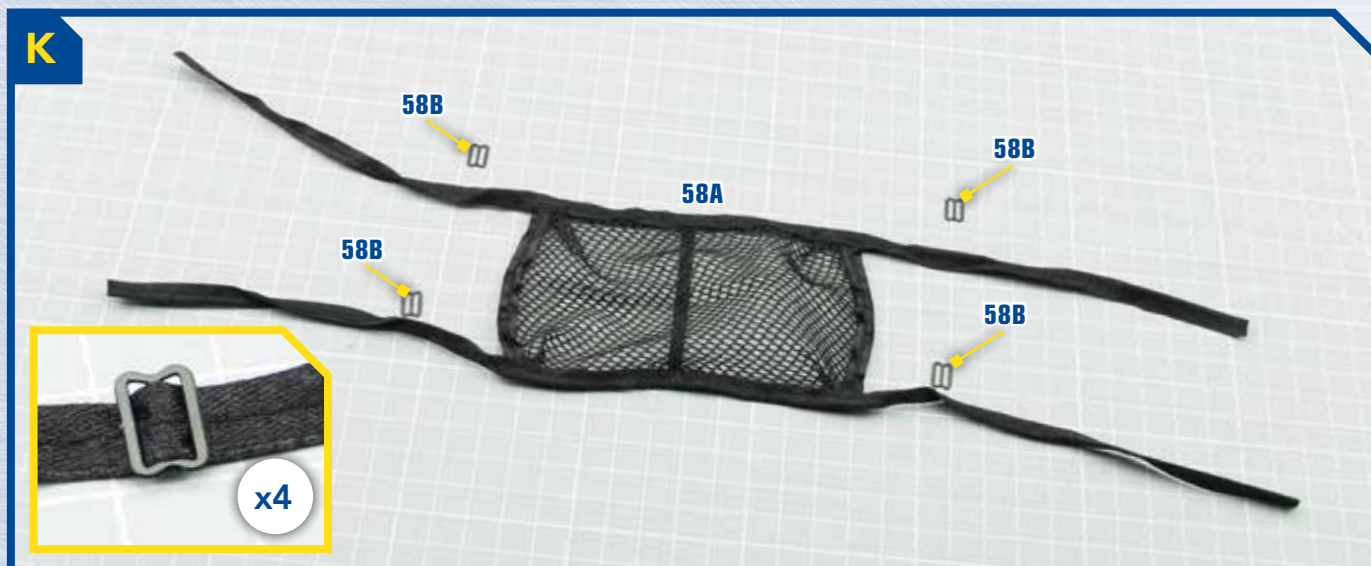
Connect the same-coloured wires and hide them as shown

58 PARTS LIST

- 58A** Net
- 58B** Buckles (x4)

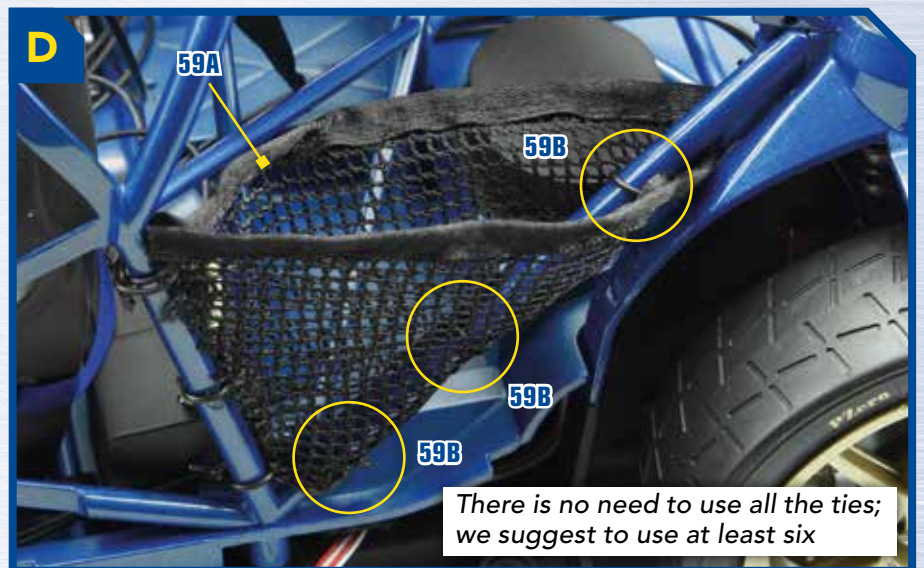
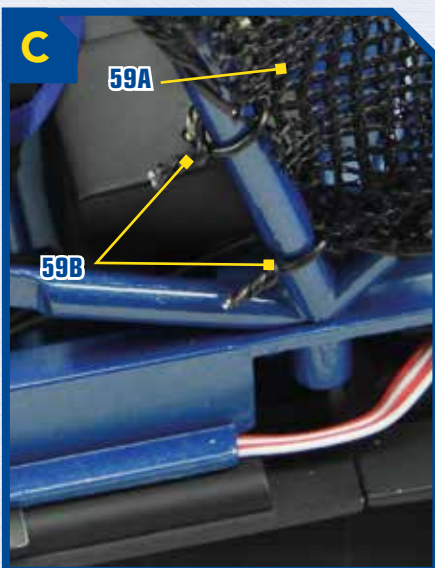
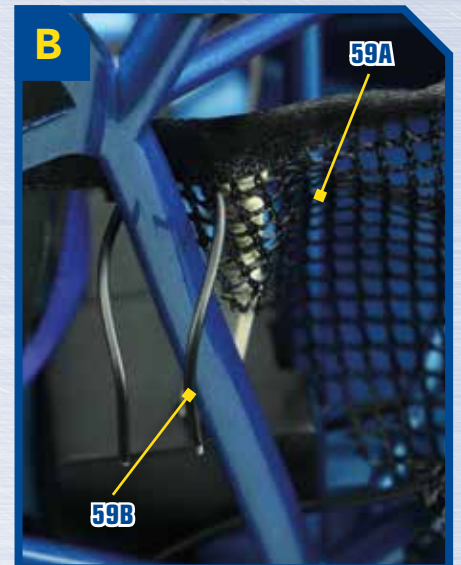
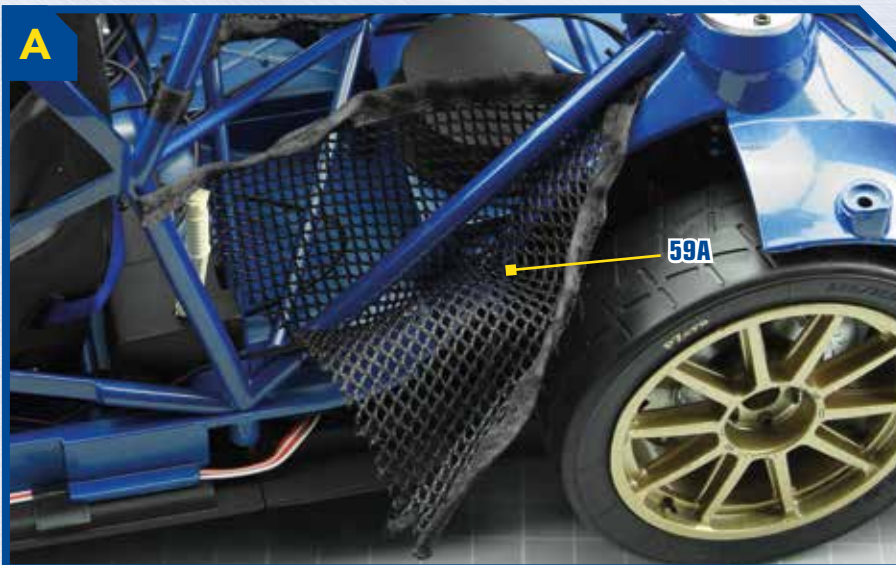
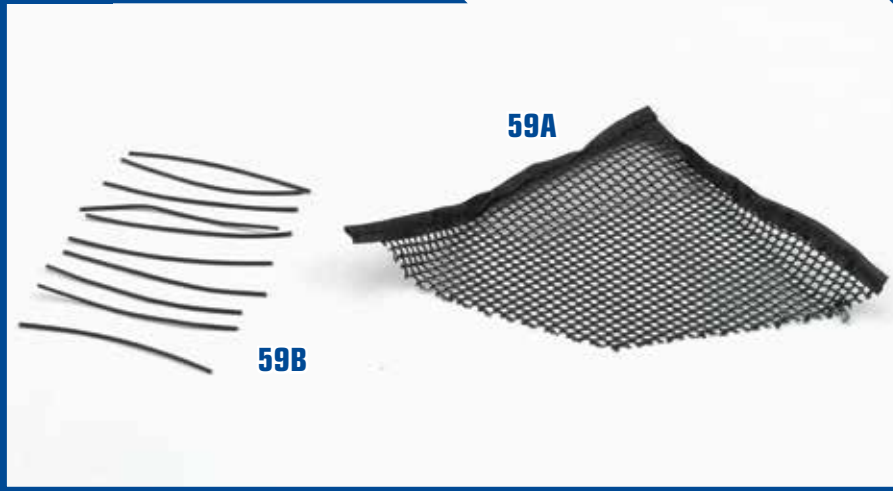






59 PARTS LIST

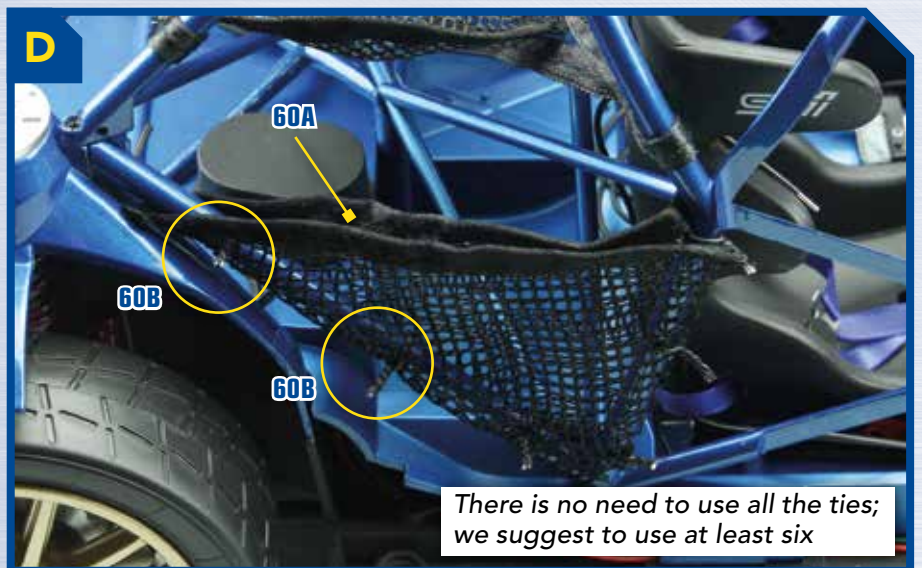
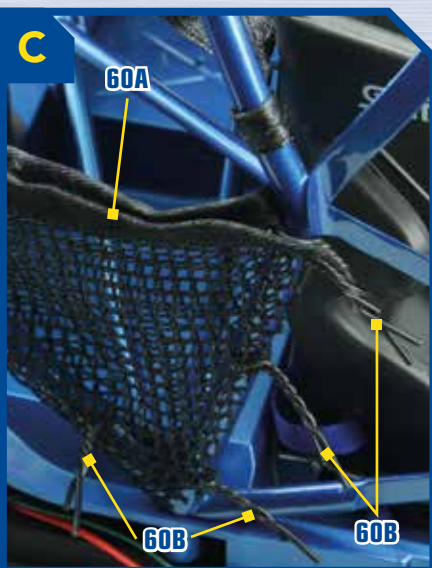
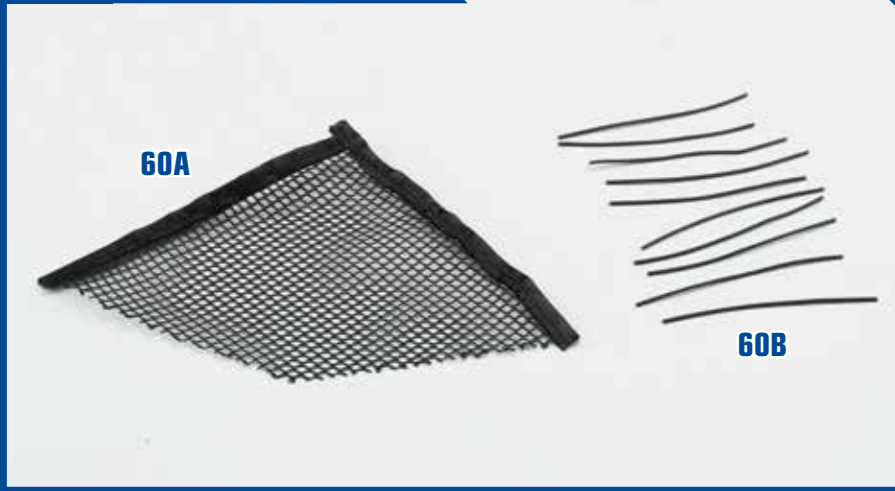
- 59A Side net (L)
- 59B Ties (x10)



There is no need to use all the ties; we suggest to use at least six

60 PARTS LIST

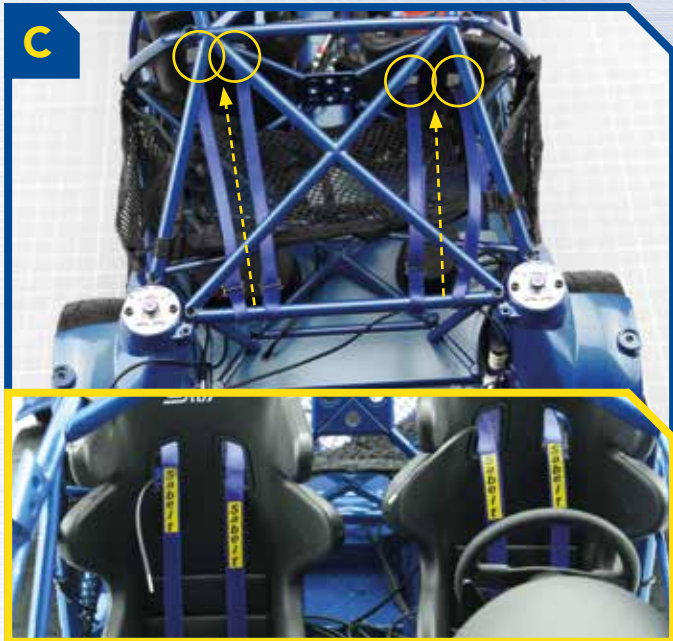
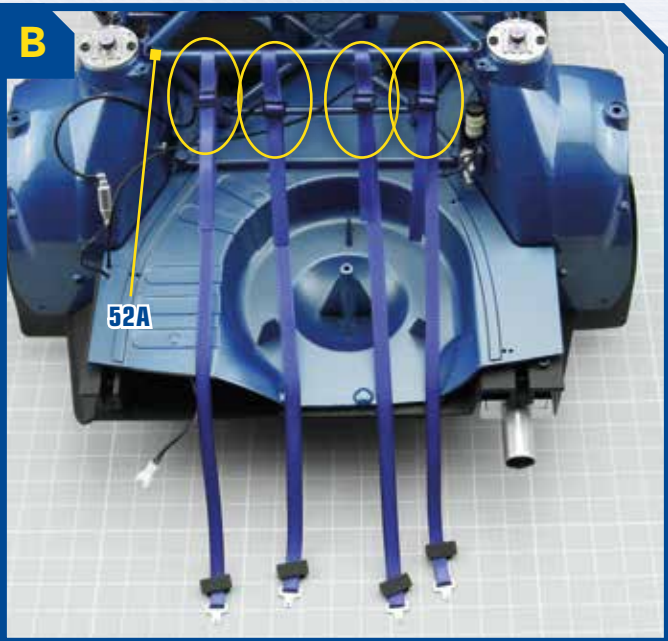
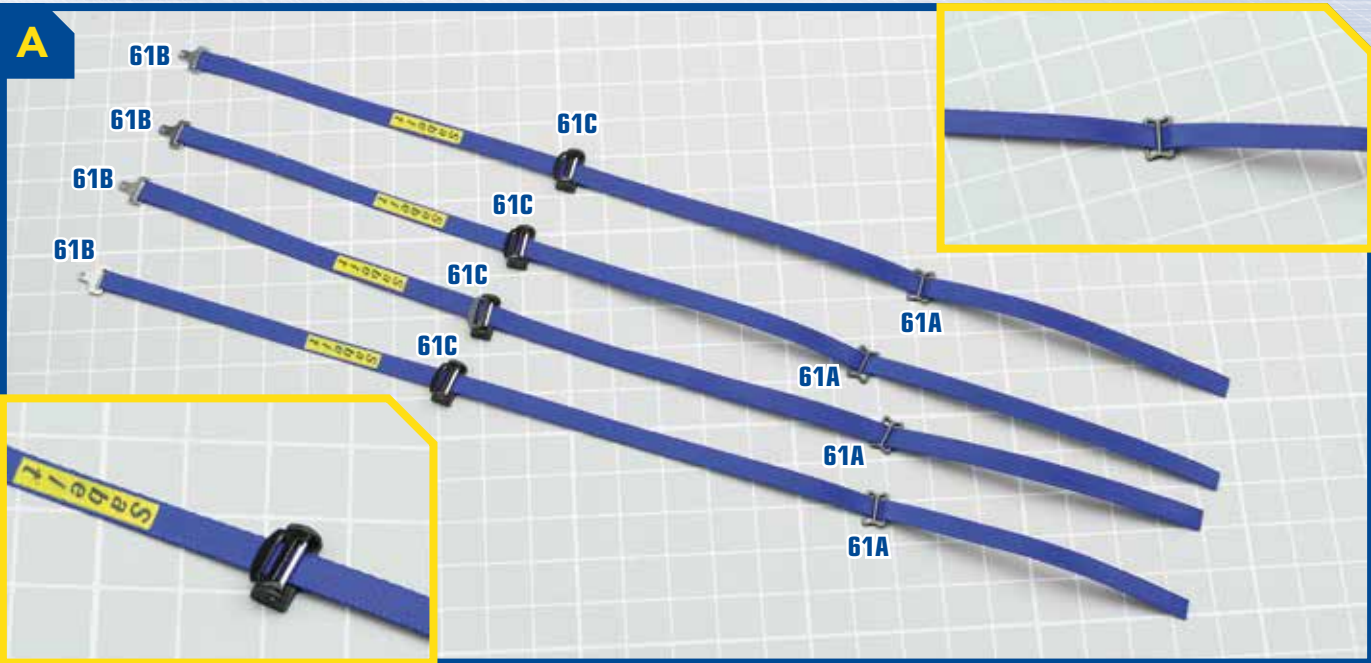
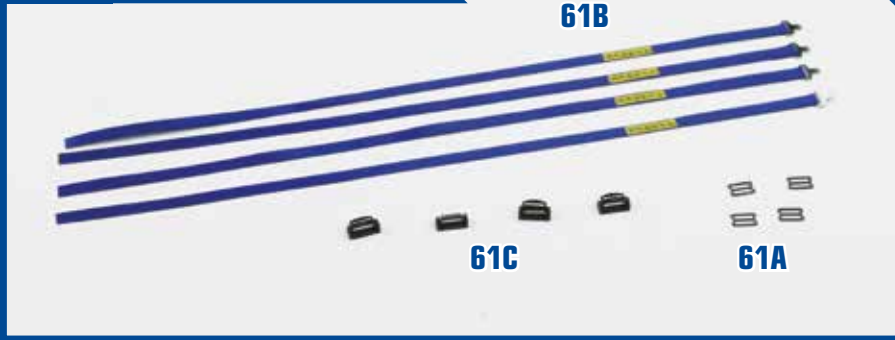
- 60A** Side net (R)
- 60B** Ties (x10)



There is no need to use all the ties; we suggest to use at least six

61 PARTS LIST

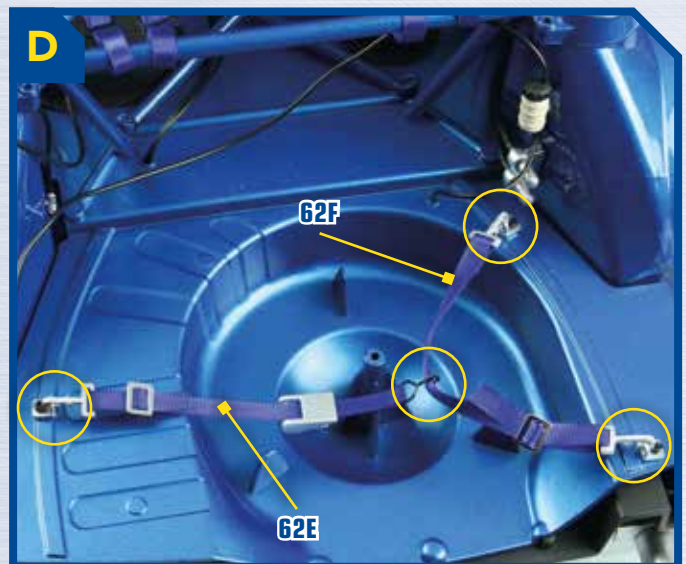
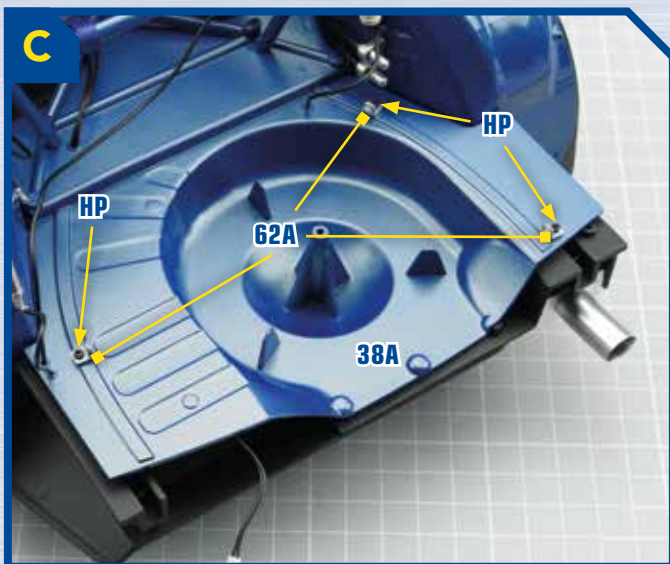
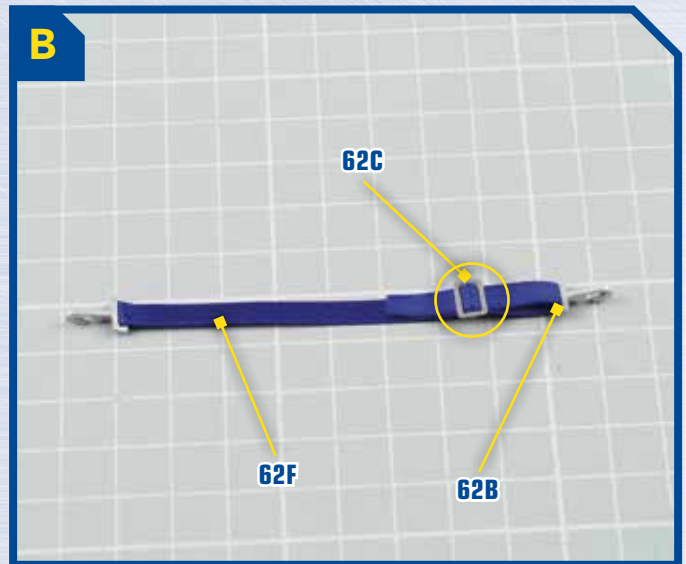
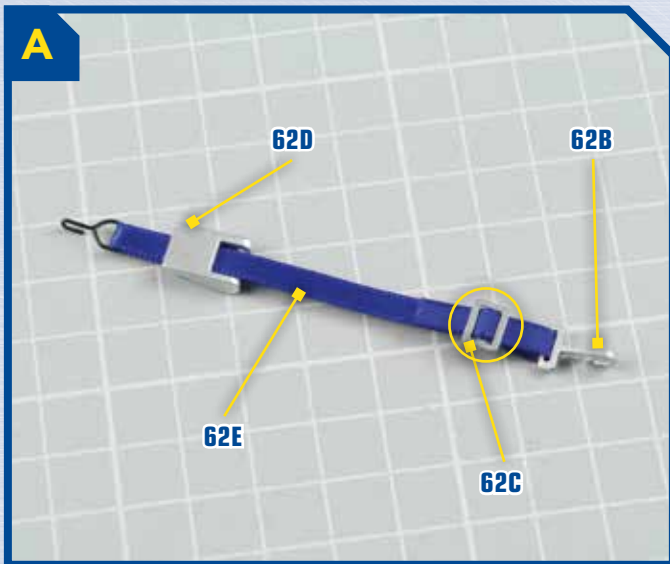
- 61A** Buckles (x4)
- 61B** Belts (x4)
- 61C** Retractors (x4)



62 PARTS LIST

- 62A** Hooks (x3)
- 62B** Snap-hooks (x2)
- 62C** Buckles (x2)
- 62D** Latch locking
- 62E** Belt 1
- 62F** Belt 2

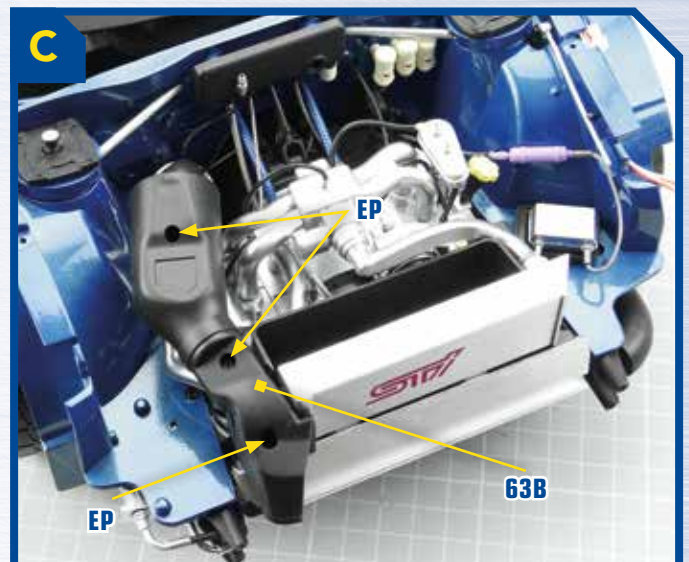
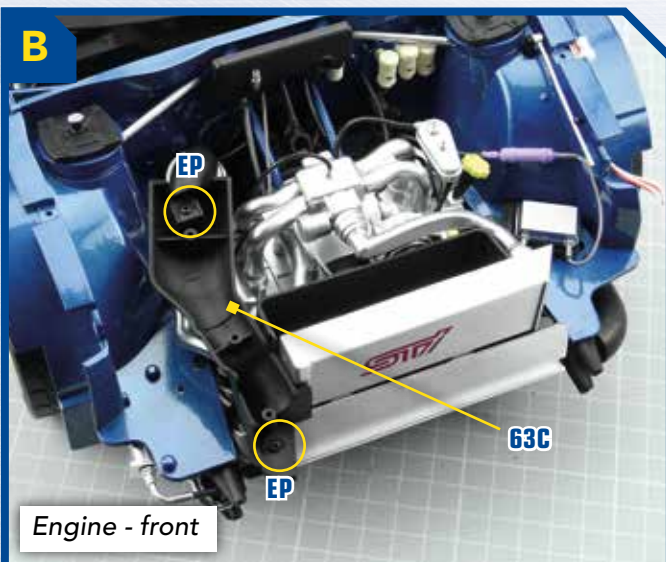
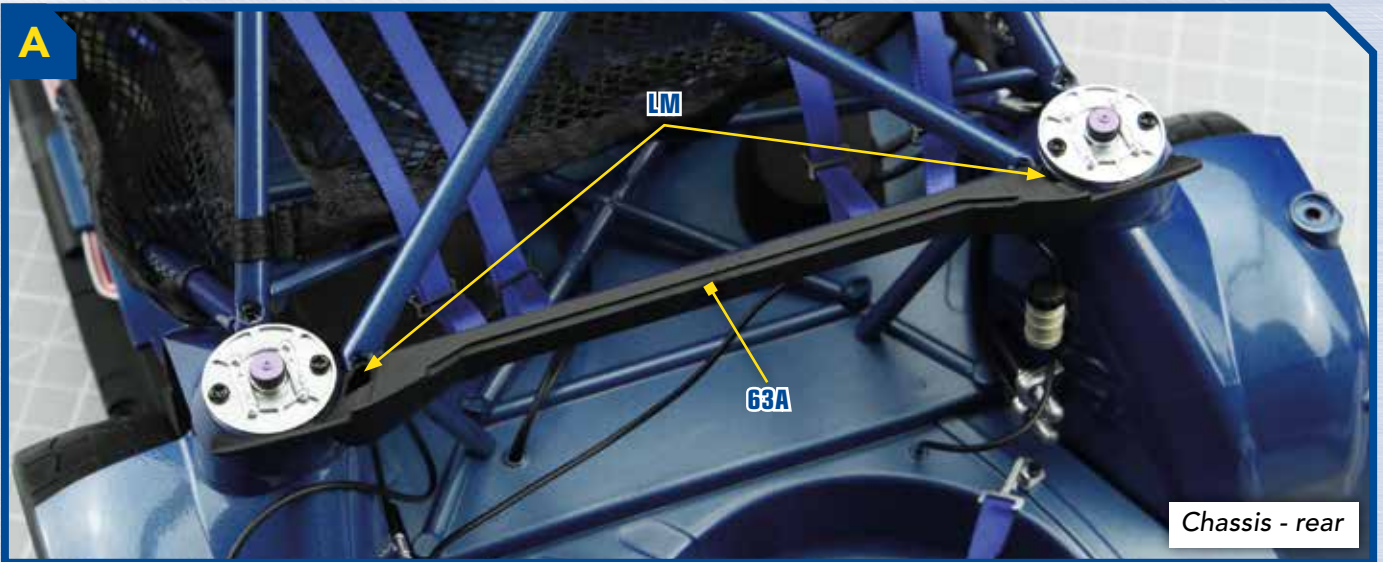
- HP** 4 screws (1.5x4mm)



63 PARTS LIST

- 63A** Roll bar rear mount
- 63B** Air intake part A
- 63C** Air intake part B

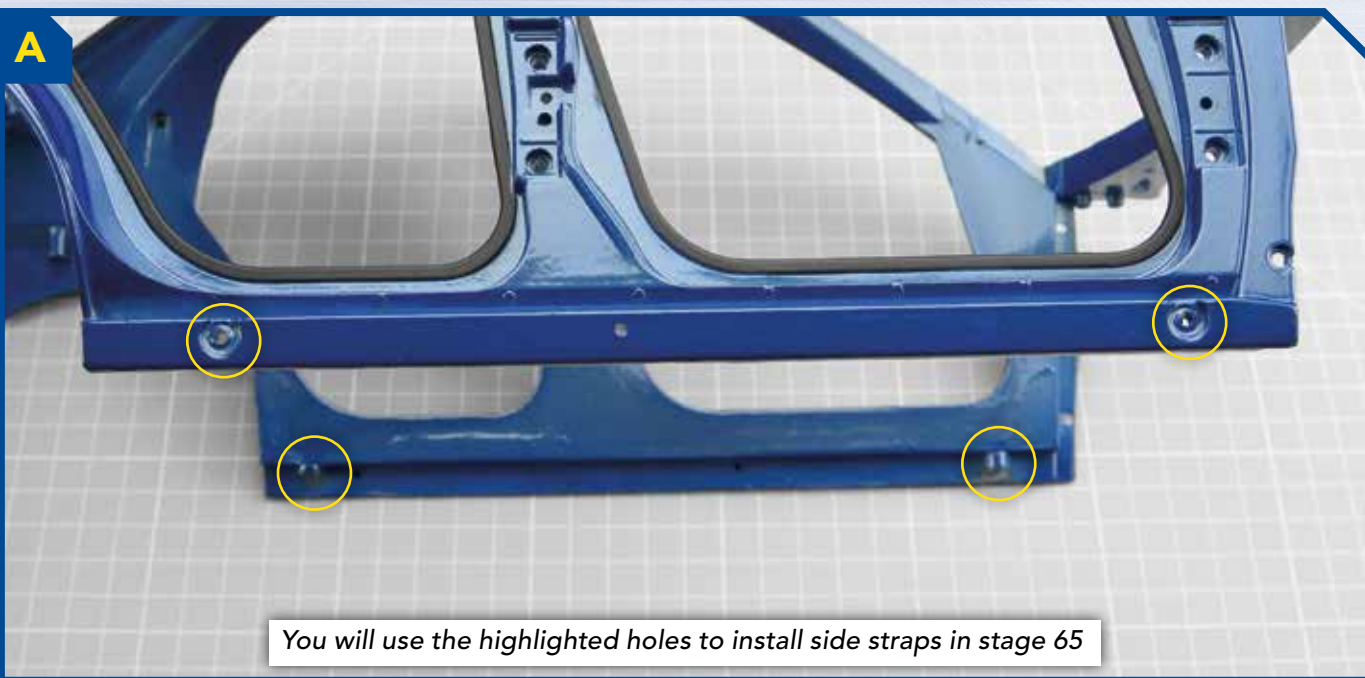
- EP** 6 screws (2x5mm)
- LM** 3 screws (2x4mm)



64 PARTS LIST

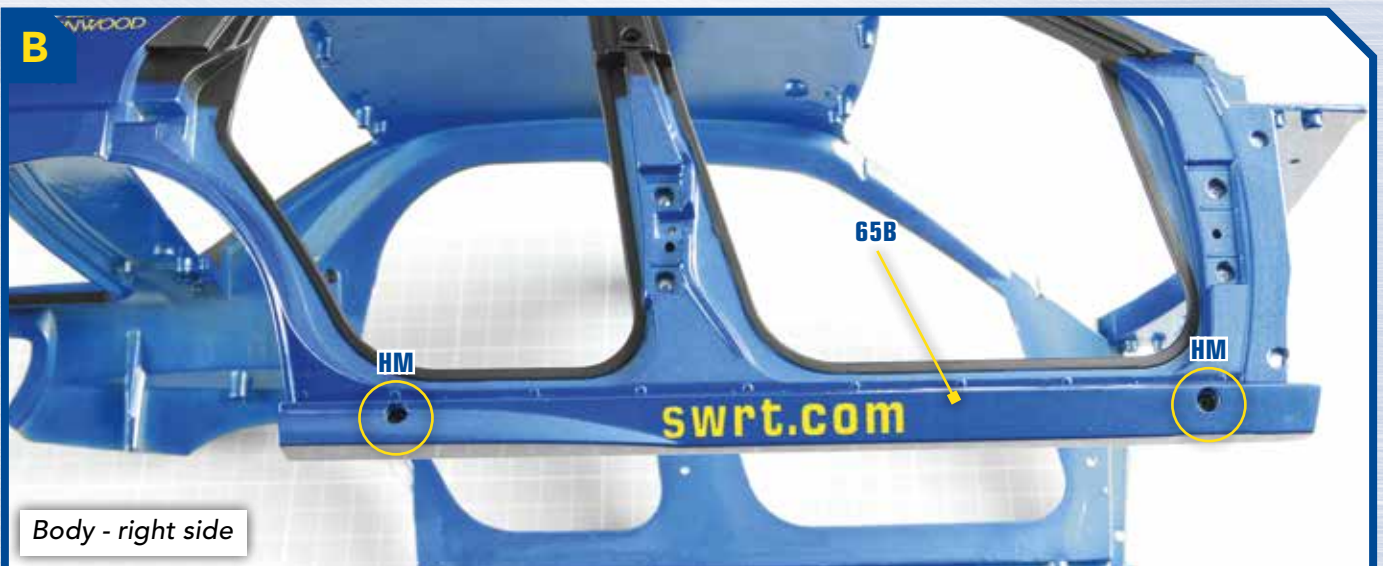


64A Body



65 PARTS LIST

- 65A** Side strap 1 (L)
- 65B** Side strap 2 (R)
- HM** 5 screws (2.3x5mm)



66 PARTS LIST

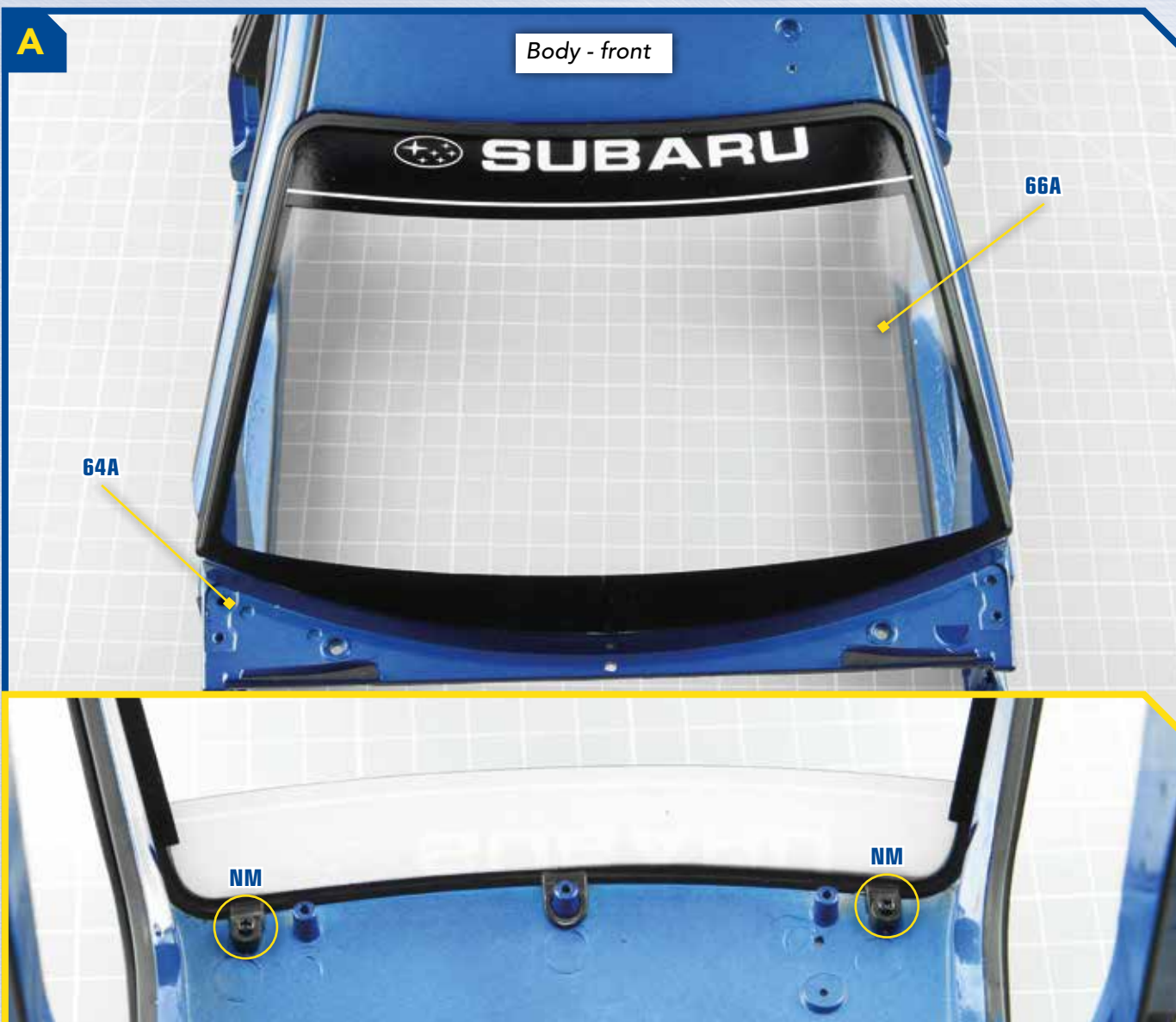
66A Windscreen

NM 3 screws (2x3mm)



A

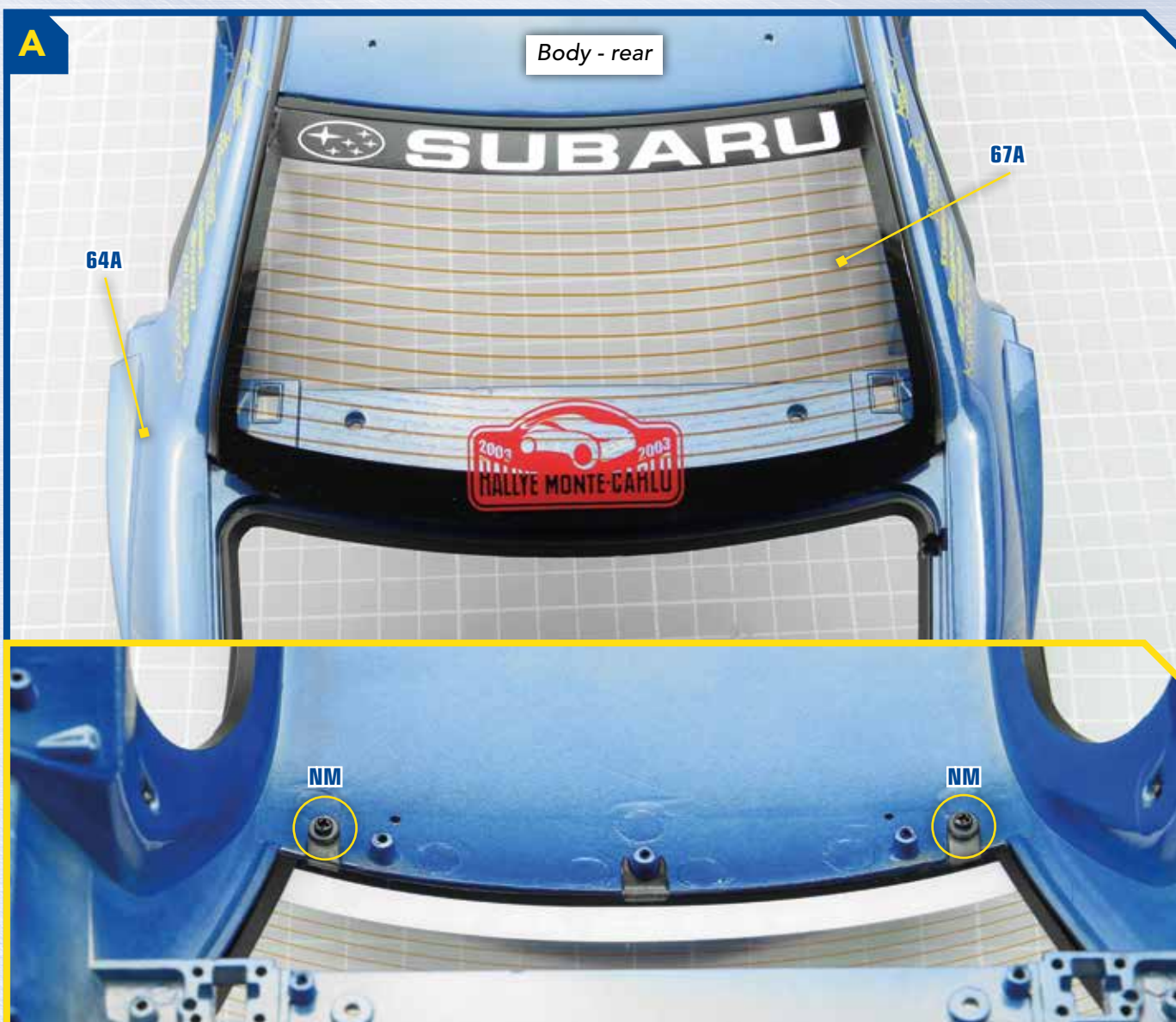
Body - front



67 PARTS LIST

67A Rear window

NM 3 screws (2x3mm)



68 PARTS LIST

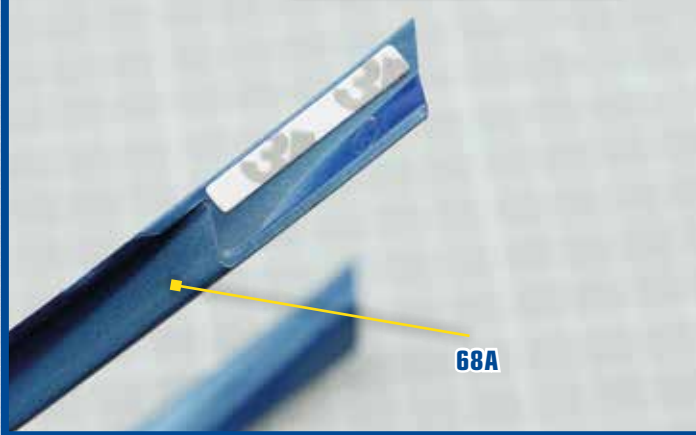
68A Roof panel

NM 8 screws (2x3mm)



A

Remove protective films from tapes on both struts

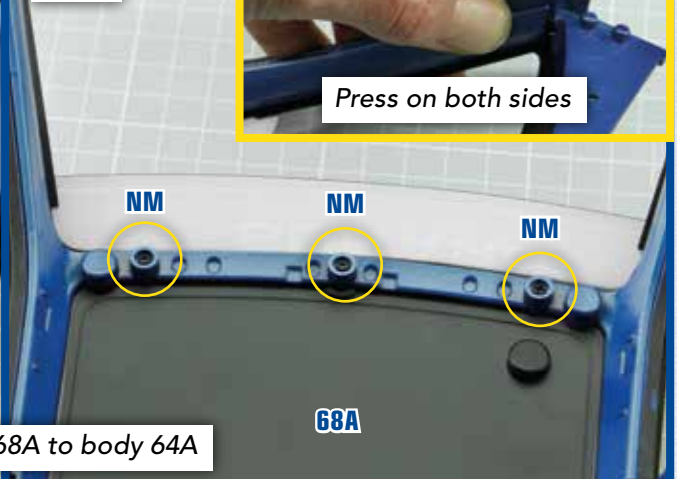
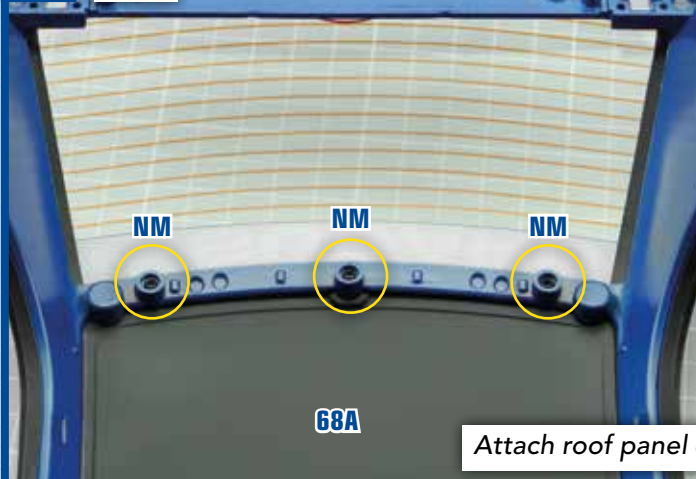


B

Rear

64A

Front



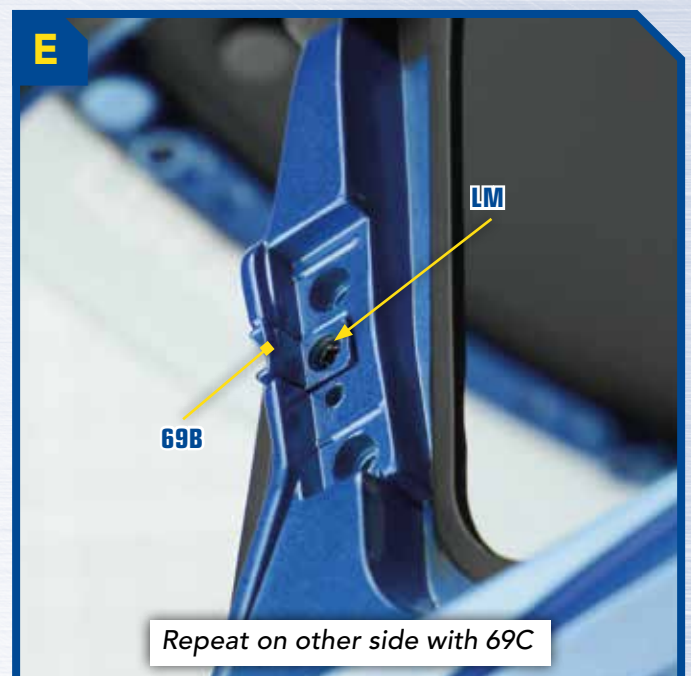
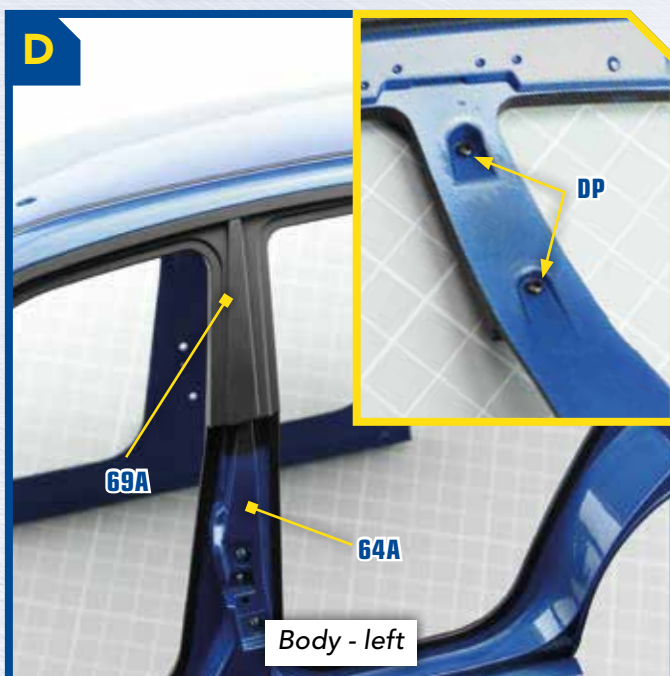
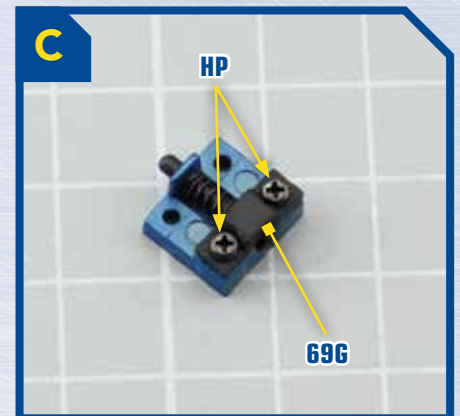
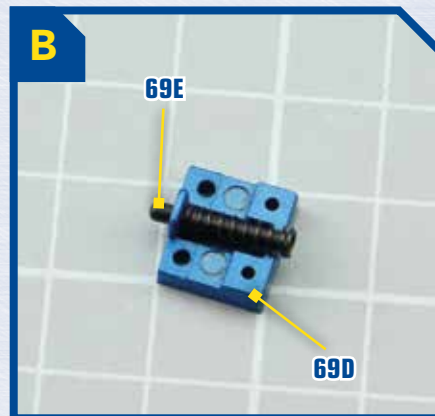
Attach roof panel 68A to body 64A

69 PARTS LIST



- 69A** Strut mount
- 69B** Lock detail 1 (L)
- 69C** Lock detail 2 (R)
- 69D** Lock base (L)
- 69E** Lock detail 3 (L)
- 69F** Spring
- 69G** Lock detail 4 (L)

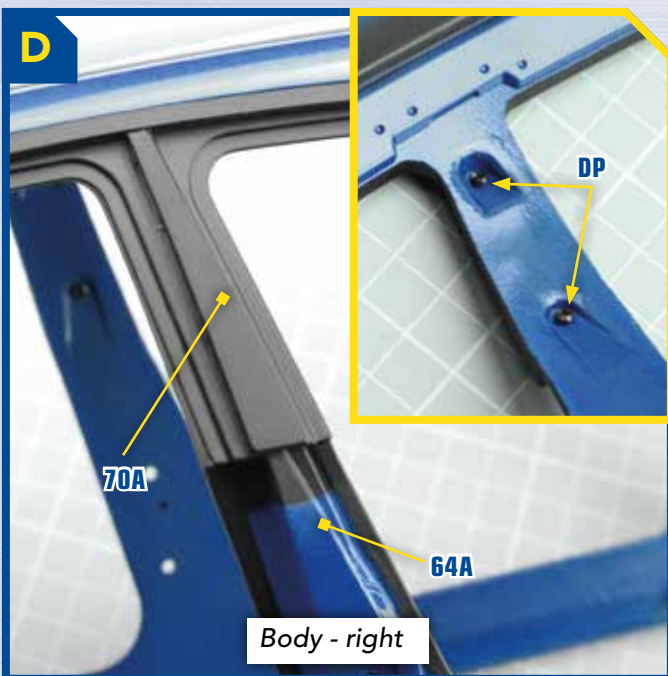
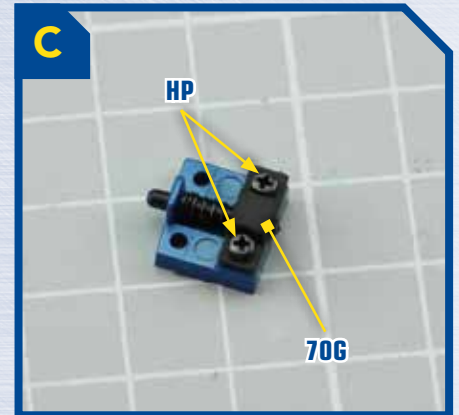
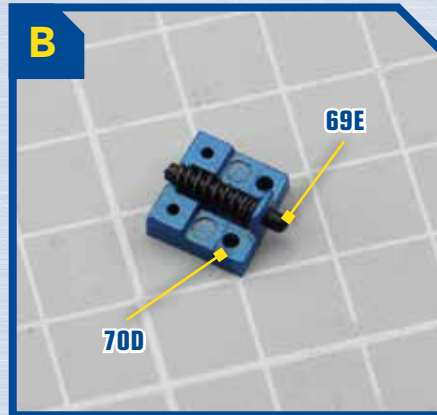
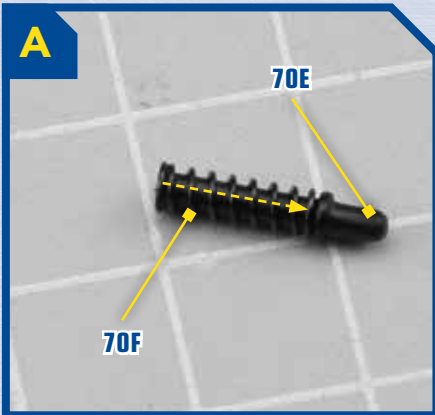
- DP** 3 screws (1.7x3mm)
- HP** 3 screws (1.5x4mm)
- LM** 3 screws (2x4mm)



70 PARTS LIST

- 70A** Strut mount
- 70B** Lock detail 1 (L)
- 70C** Lock detail 2 (R)
- 70D** Lock base (R)
- 70E** Lock detail 3 (R)
- 70F** Spring
- 70G** Lock detail 4 (R)

- DP** 3 screws (1.7x3mm)
- HP** 3 screws (1.5x4mm)
- EM** 3 screws (2x5mm)



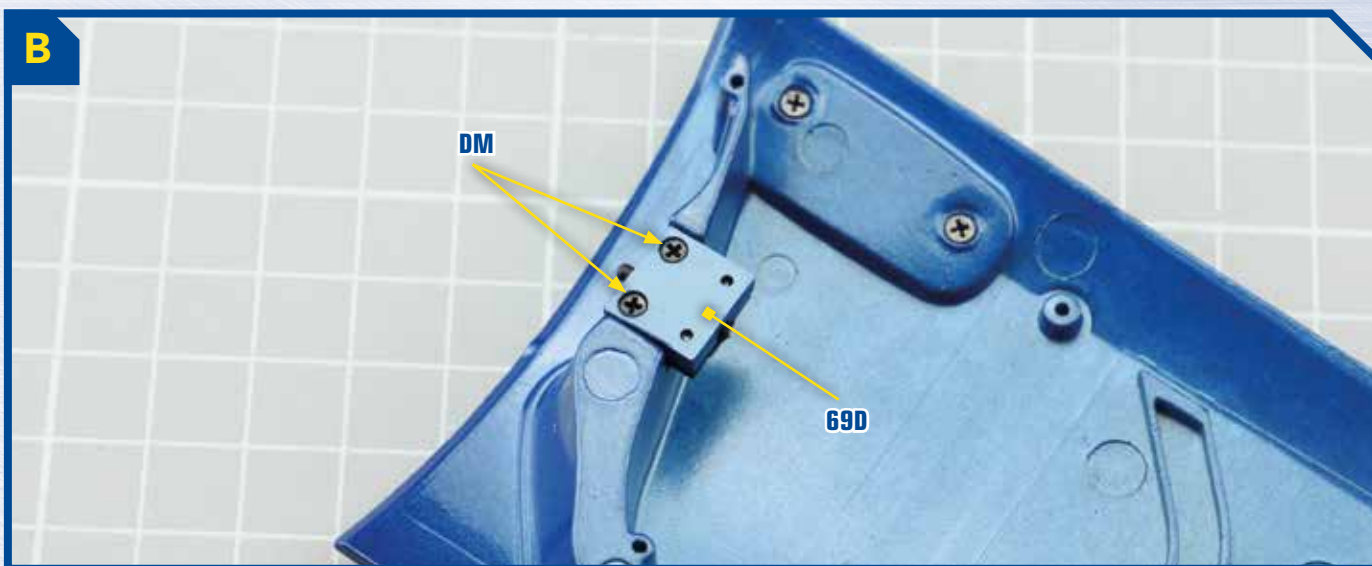
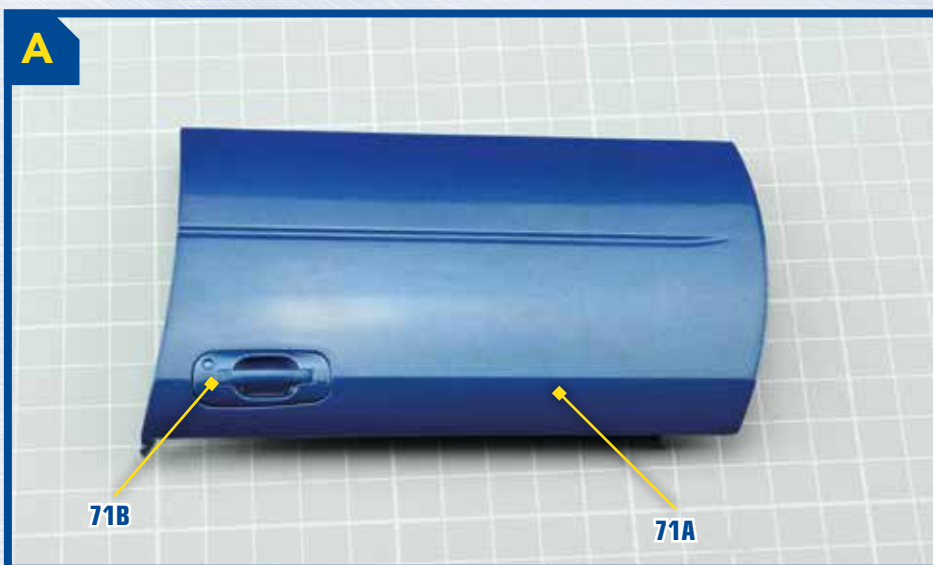
71 PARTS LIST

71A Front door (L)

71B Handle

DM 3 screws (1.7x3mm)

TM 3 screws (2x4mm)

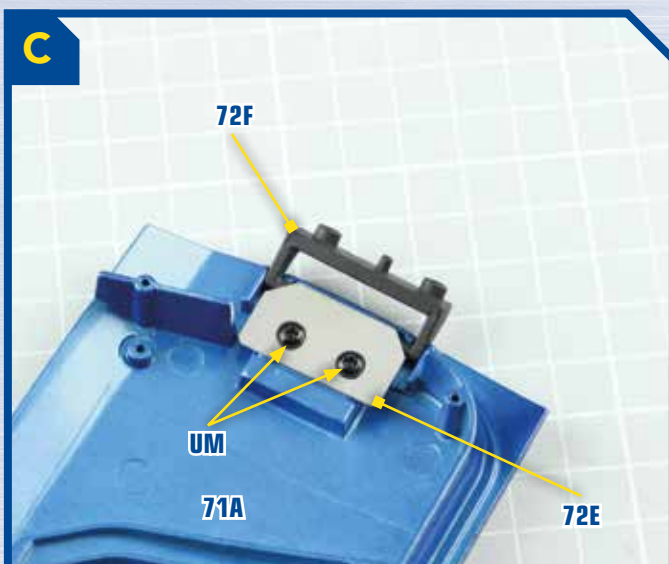
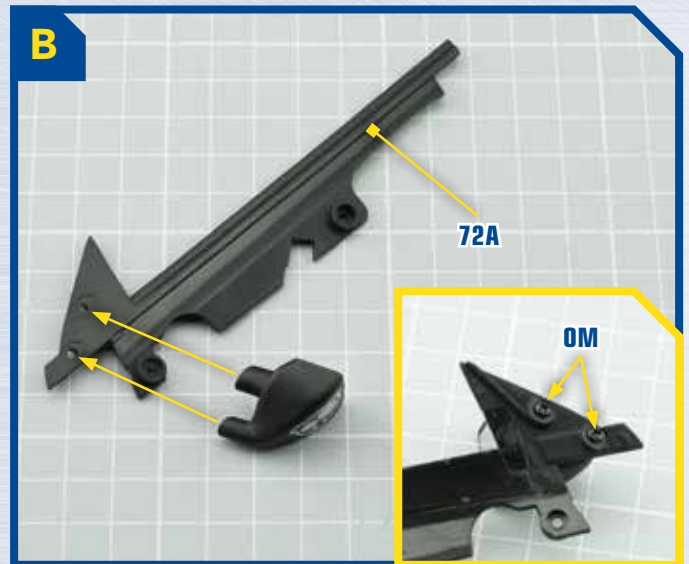
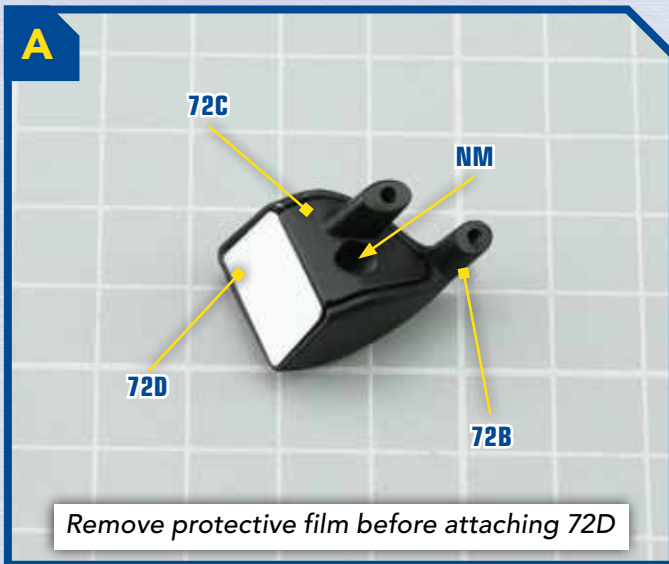


72 PARTS LIST



- 72A** Side-view mirror base (L)
- 72B** Mirror body (L)
- 72C** Mount (L)
- 72D** Mirror lens (L)
- 72E** Hinge mount (L)
- 72F** Hinge (L)

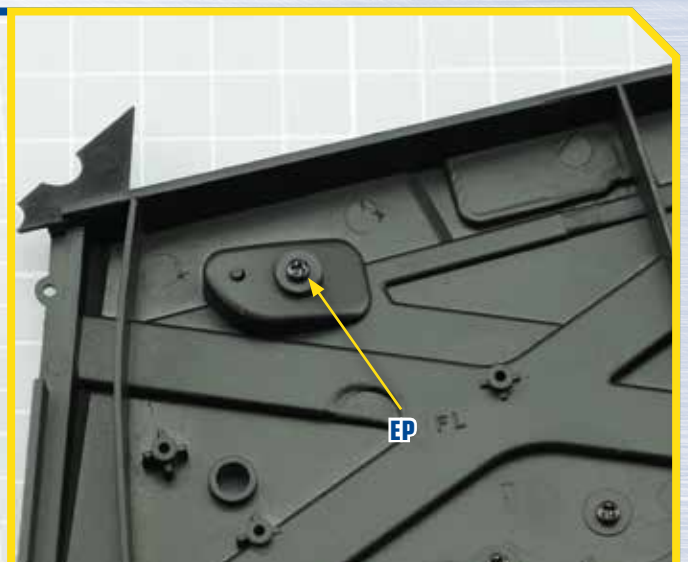
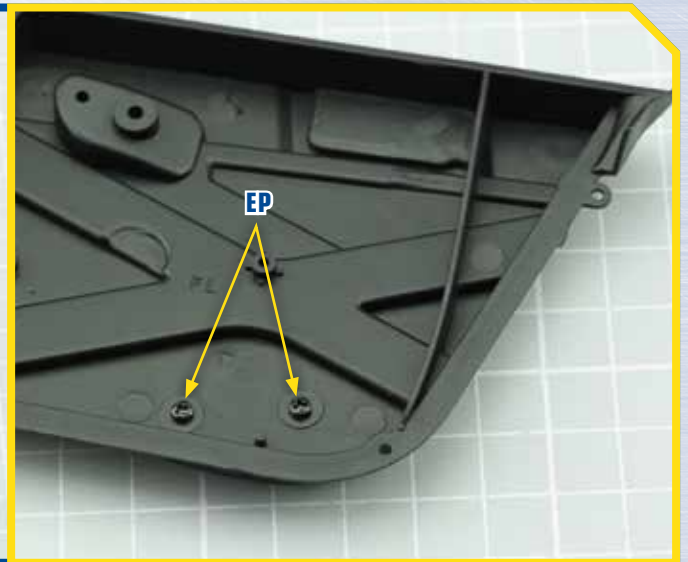
- NM** 2 screws (2x3mm)
- OM** 3 screws (1.7x5mm)
- PM** 3 screws (1.7x3.5x3mm)
- UM** 3 screws (2.3x3x5.5mm)



73 PARTS LIST

- 73A** Front door panel (L)
- 73B** Panel detail
- 73C** Inner handle
- 73D** Window crank
- 73E** Gear

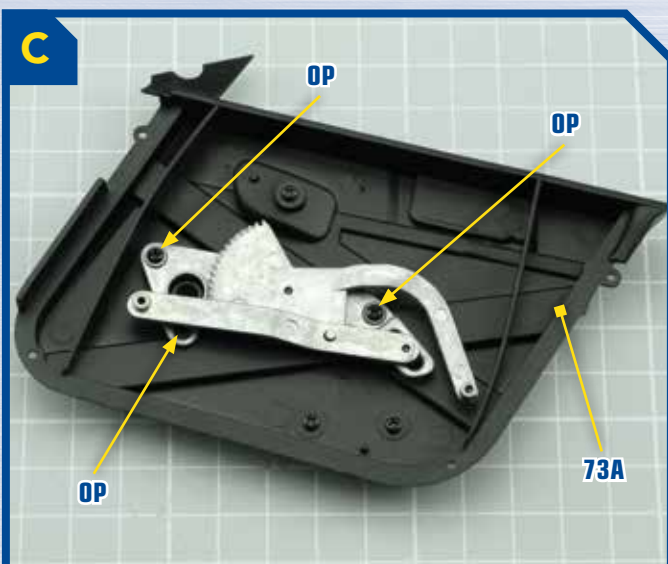
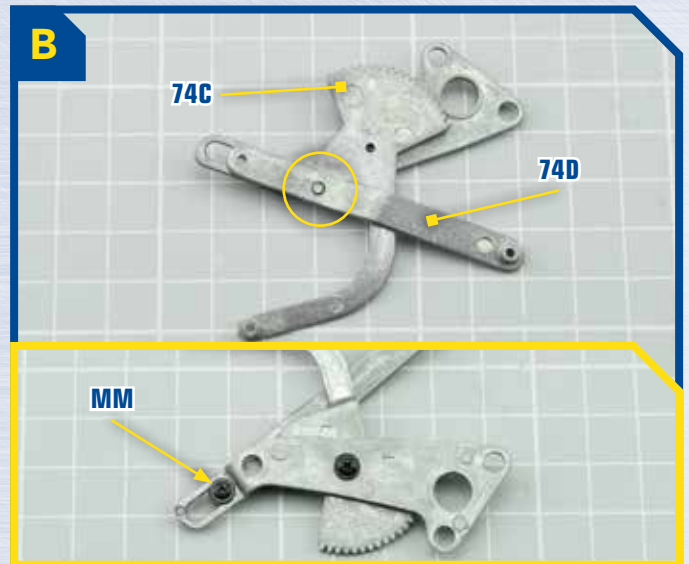
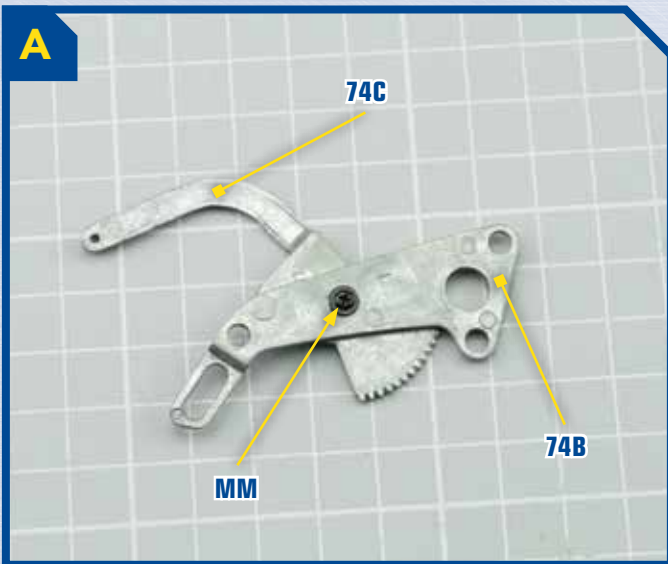
EP 4 screws (2x5mm)



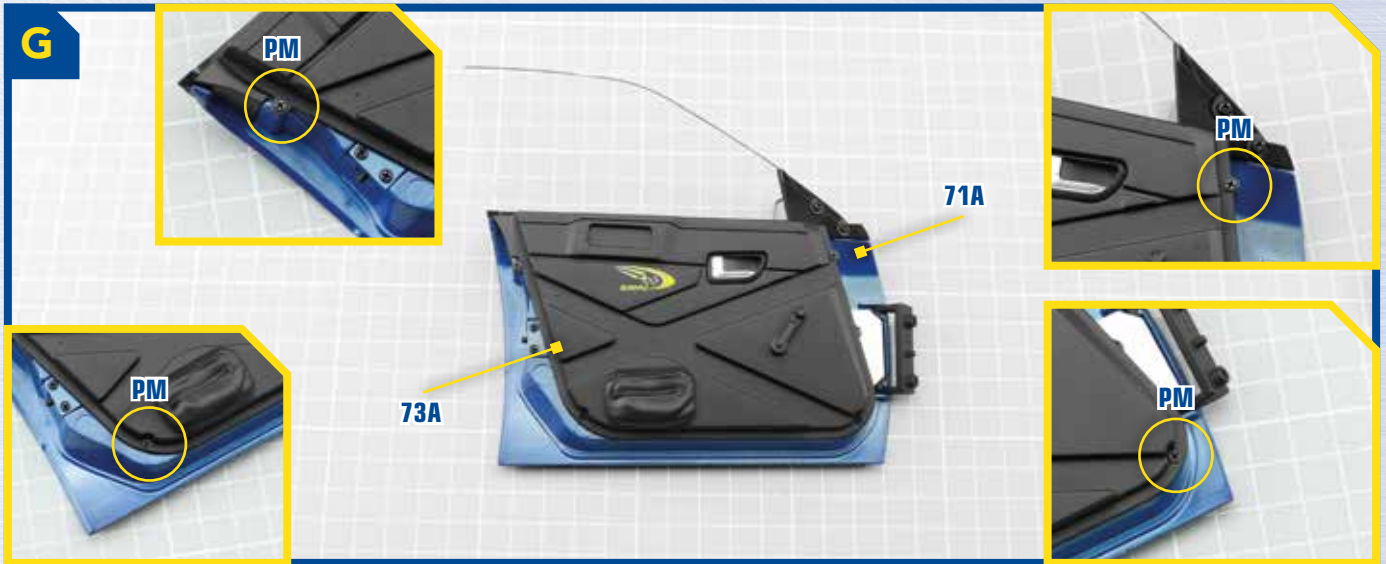
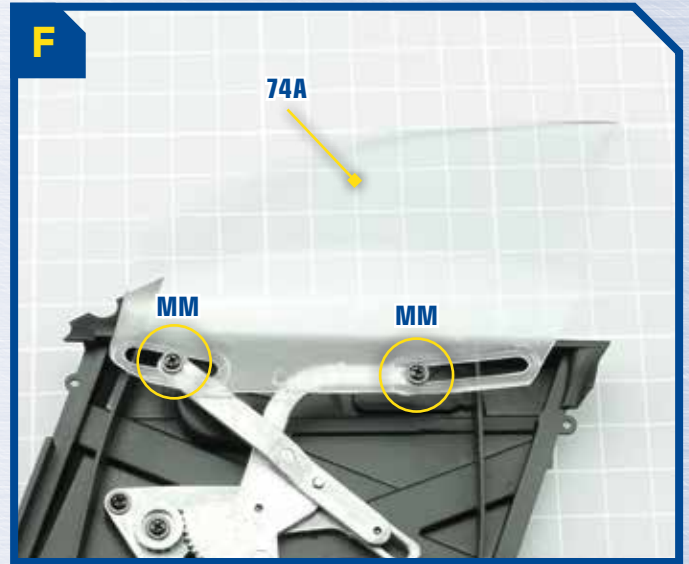
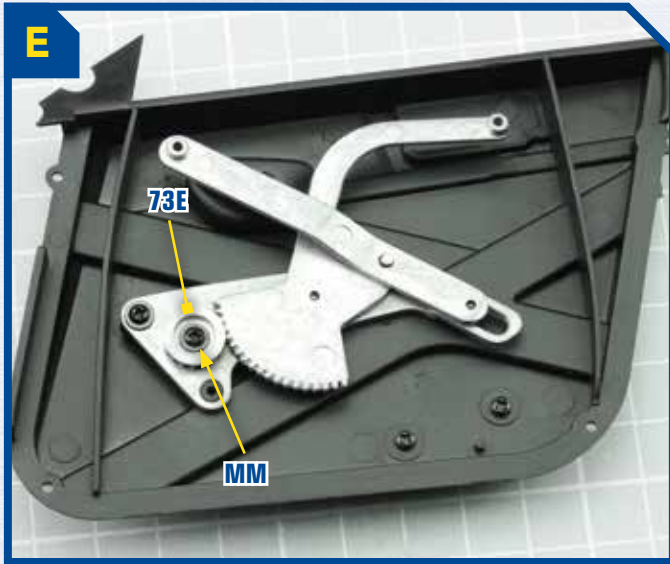
74 PARTS LIST

- 74A** Front door window (L)
- 74B** Gear 1
- 74C** Gear 2
- 74D** Gear 3

- OP** 4 screws (1.7x2.5x5mm)
- MM** 6 screws (1.7x3x5mm)
- PM** 5 screws (1.7x3.5x3mm)
- VM** 3 screws (2x5mm)



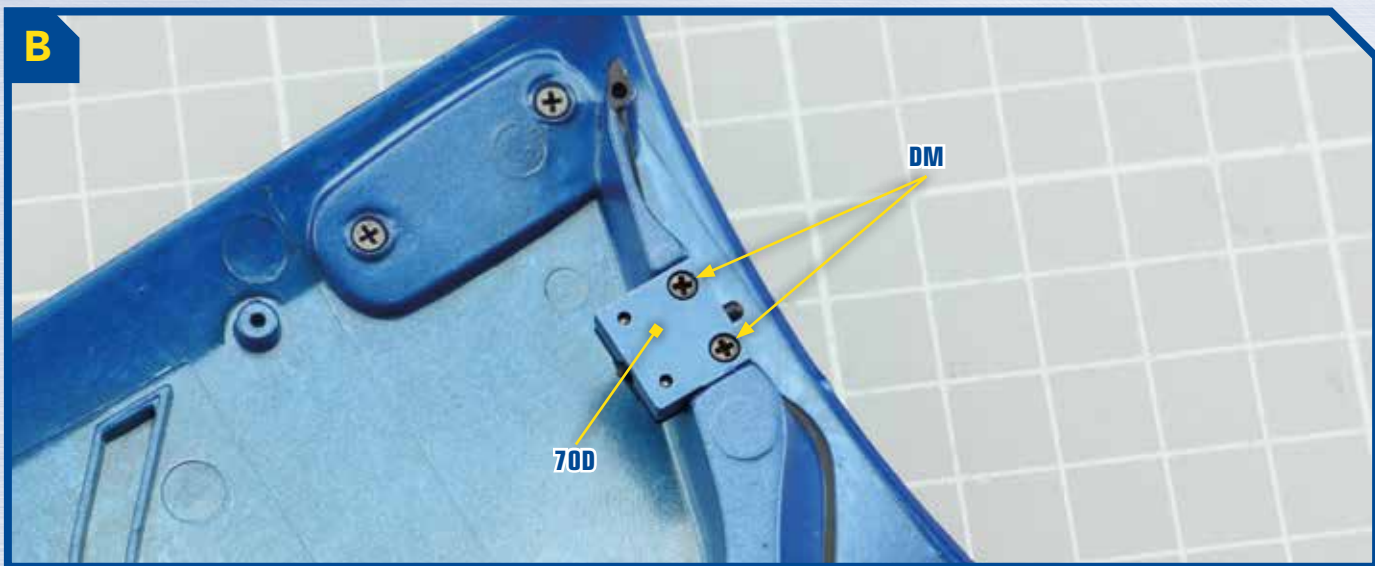
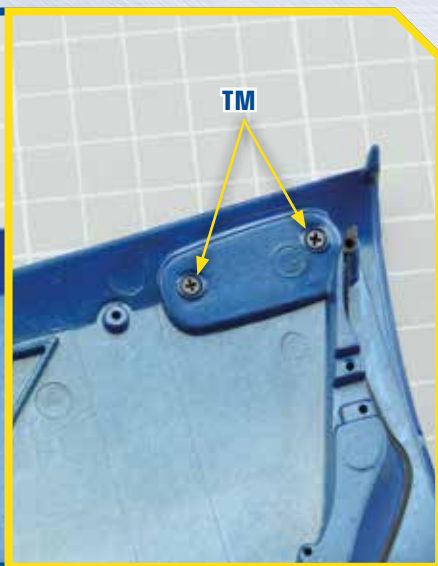
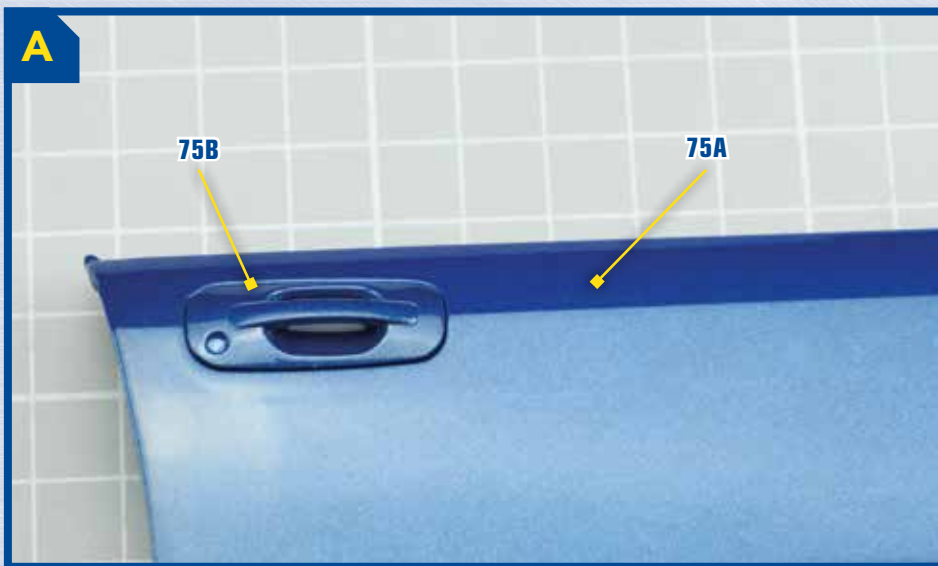
Step *by* step #74



75 PARTS LIST

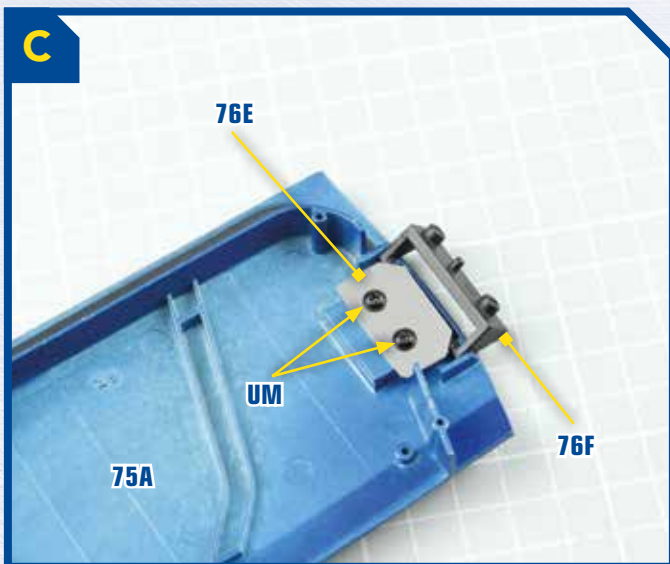
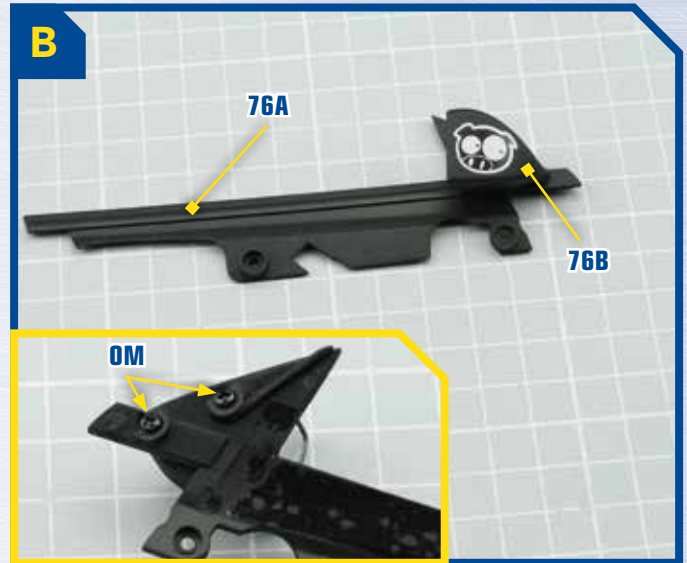
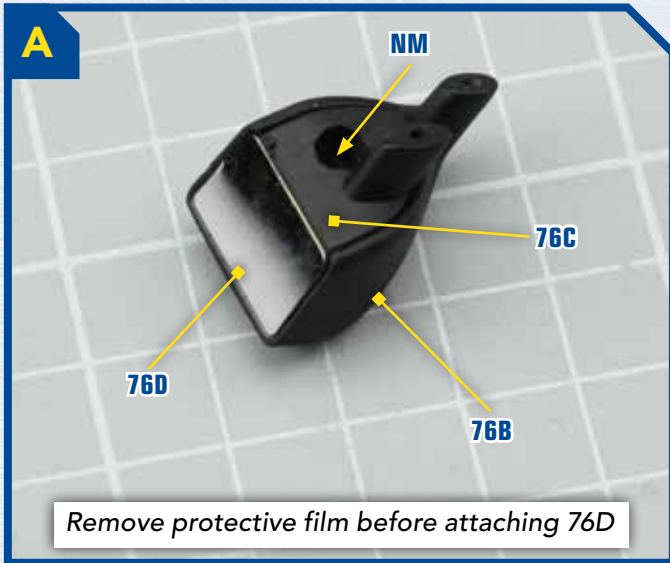
71A Front door (R)
71B Handle

DM 3 screws (1.7x3mm)
TM 3 screws (2x4mm)



76 PARTS LIST

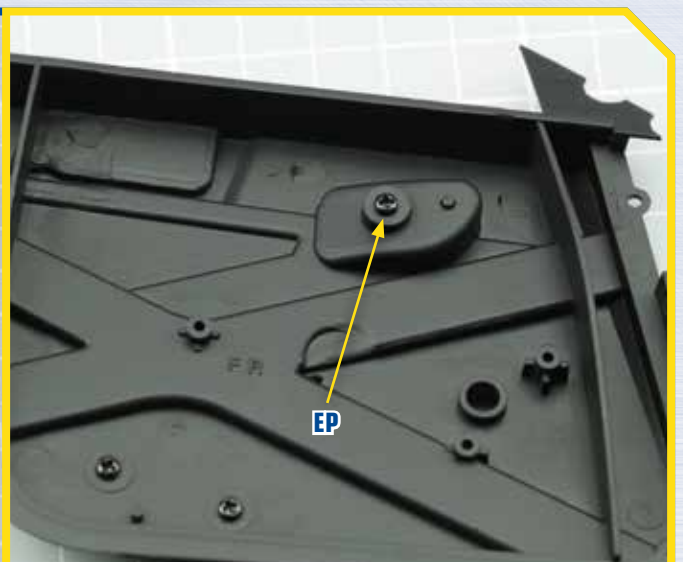
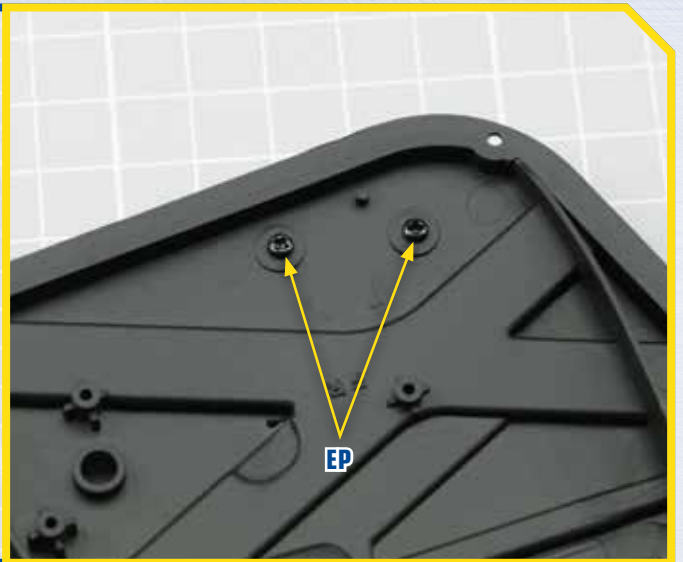
- 76A** Side-view mirror base (R)
- 76B** Mirror body (R)
- 76C** Mount (R)
- 76D** Mirror lens (R)
- 76E** Hinge mount (R)
- 76F** Hinge (R)
- NM** 2 screws (2x3mm)
- OM** 3 screws (1.7x5mm)
- PM** 3 screws (1.7x3.5x3mm)
- UM** 3 screws (2.3x3x5.5mm)



77 PARTS LIST

- 77A** Front door panel (R)
- 77B** Panel detail
- 77C** Inner handle
- 77D** Window crank
- 77E** Gear

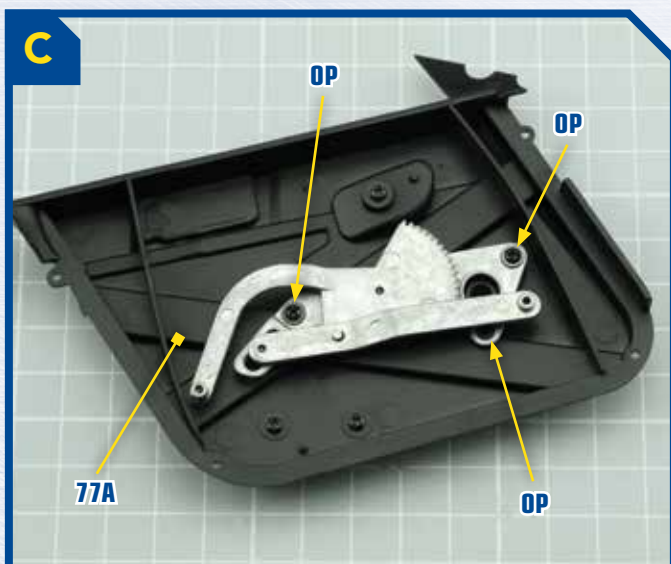
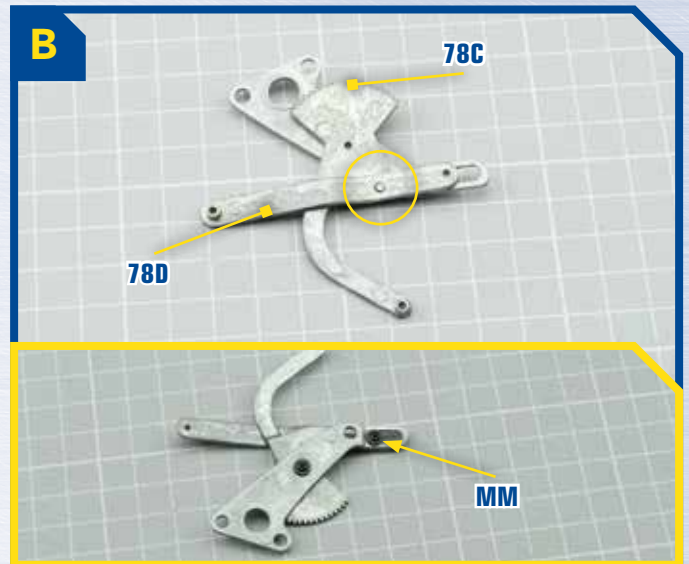
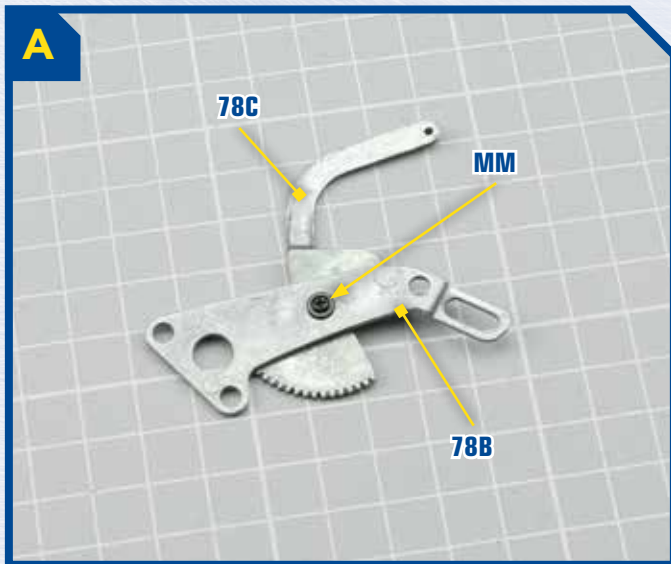
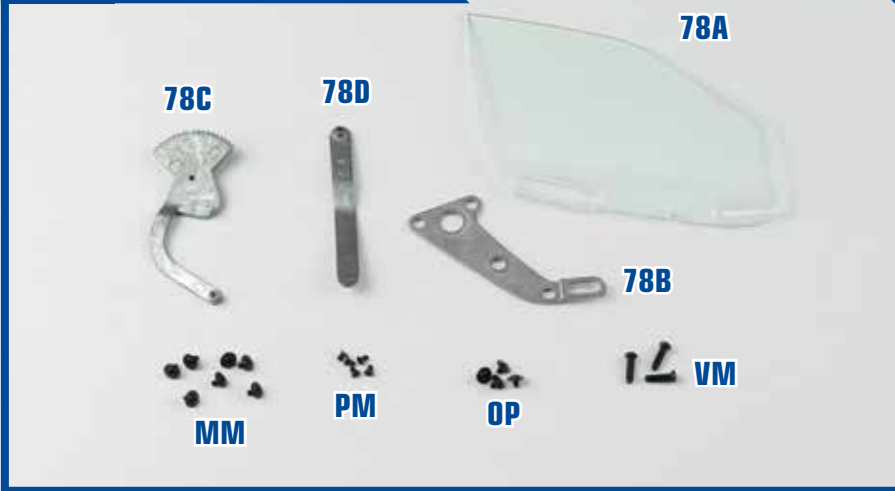
EP 4 screws (2x5mm)

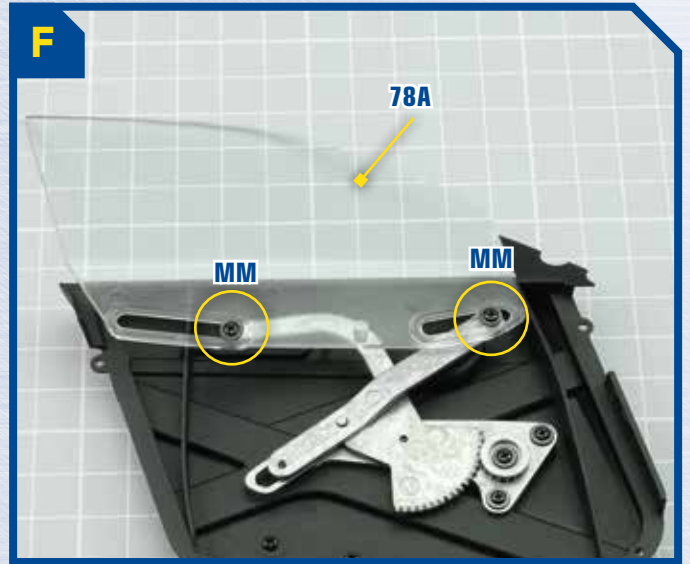
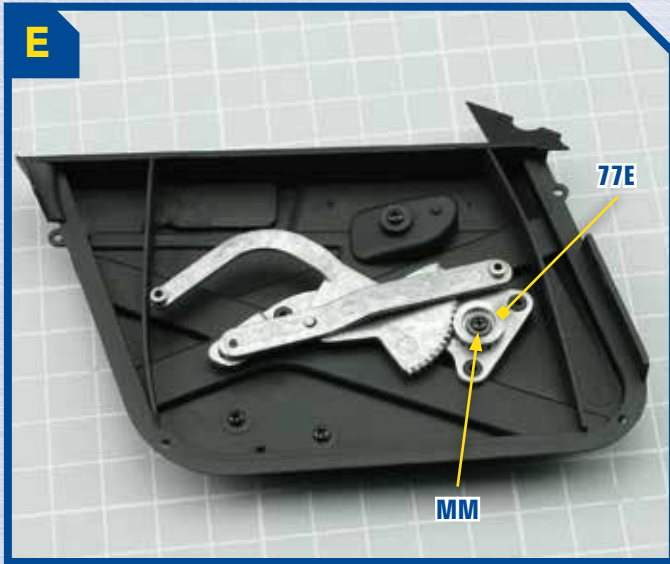


78 PARTS LIST

- 78A** Front door window (R)
- 78B** Gear 1
- 78C** Gear 2
- 78D** Gear 3

- OP** 4 screws (1.7x2.5x5mm)
- MM** 6 screws (1.7x3x5mm)
- PM** 5 screws (1.7x3.5x3mm)
- VM** 3 screws (2x5mm)

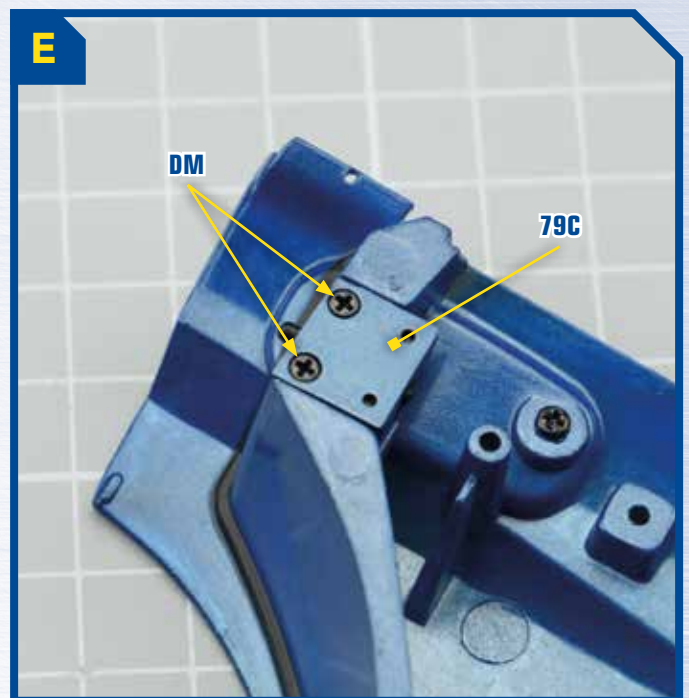
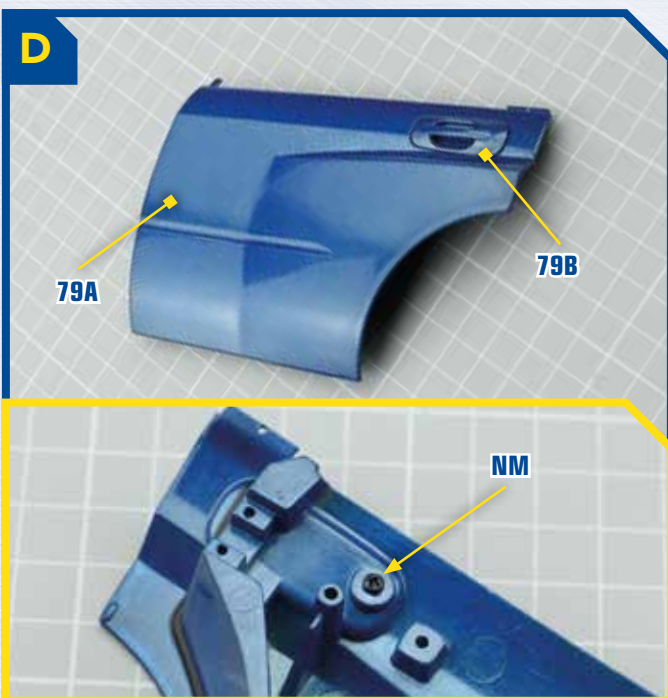
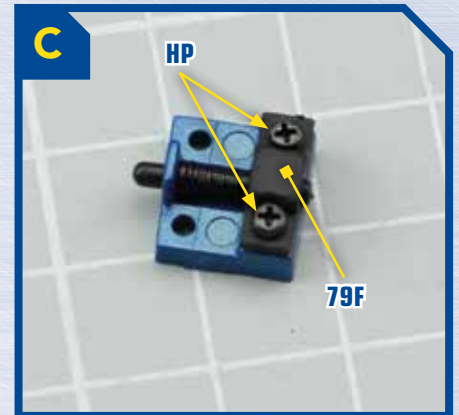
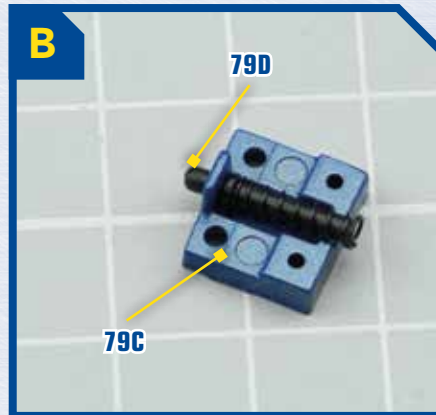
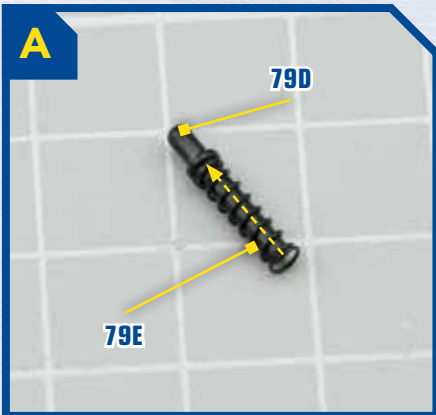




79 PARTS LIST

- 79A** Rear door (L)
- 79B** Handle
- 79C** Lock base (L)
- 79D** Lock detail 1
- 79E** Spring
- 79F** Lock detail 2

- HP** 3 screws (1.5x4mm)
- DM** 3 screws (1.7x3mm)
- NM** 2 screws (2x3mm)

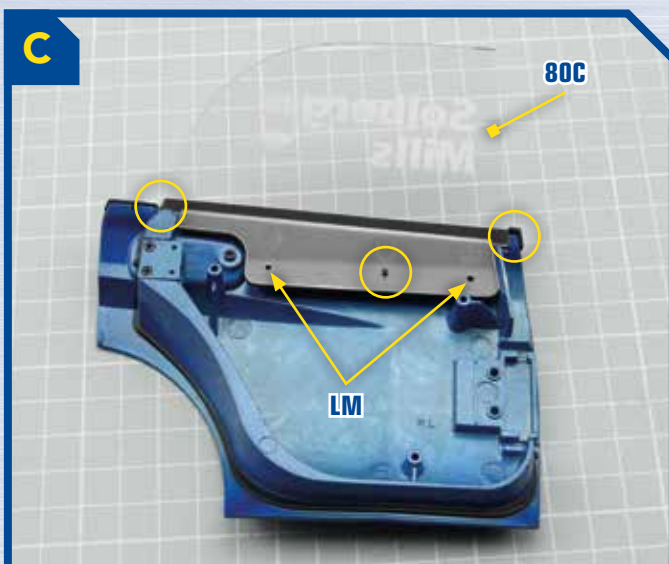


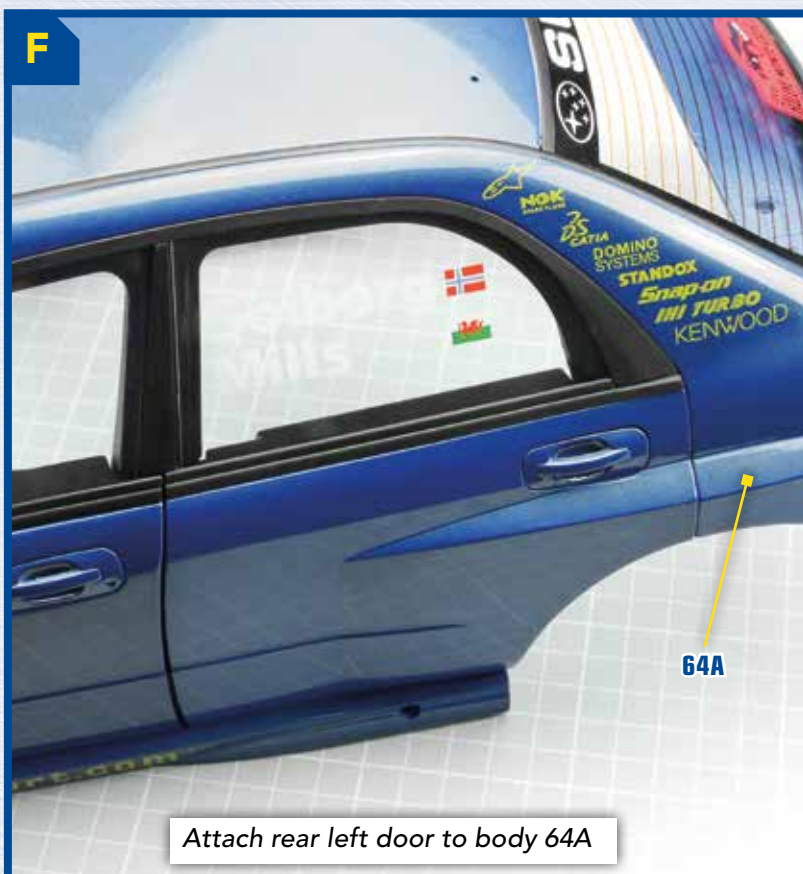
80 PARTS LIST



- 80A** Rear door panel (L)
- 80B** Inner handle
- 80C** Rear door window (L)
- 80D** Window base
- 80E** Hinge mount (L)
- 80F** Hinge (L)

- EP** 2 screws (2x5mm)
- LM** 6 screws (2x4mm)
- UM** 3 screws (2.3x3x5.5mm)
- VM** 3 screws (2.3x8mm)

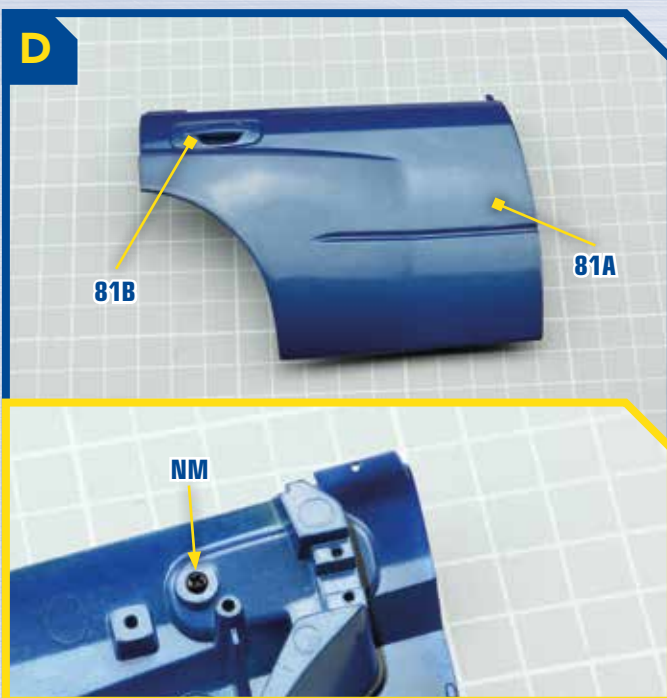
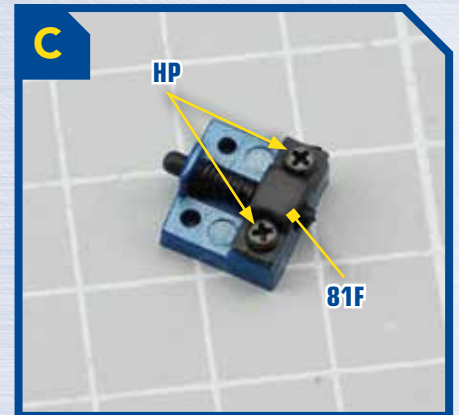
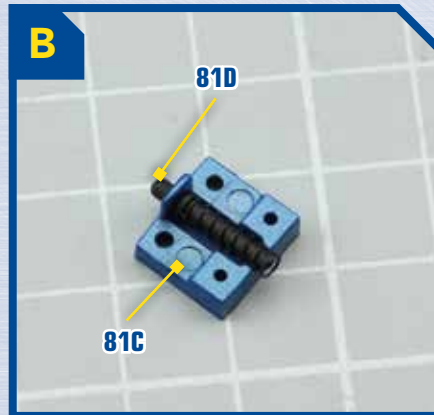




81 PARTS LIST

- 81A** Rear door (R)
- 81B** Handle
- 81C** Lock base (R)
- 81D** Lock detail 1
- 81E** Spring
- 81F** Lock detail 2

- HP** 3 screws (1.5x4mm)
- DM** 3 screws (1.7x3mm)
- NM** 2 screws (2x3mm)

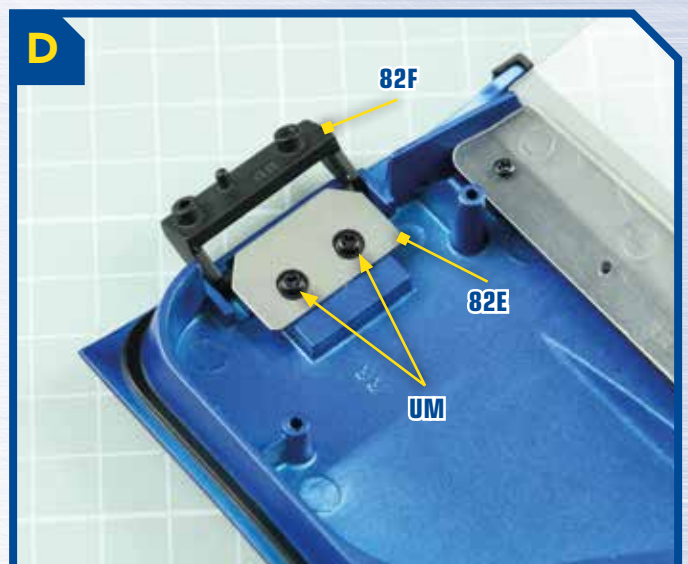
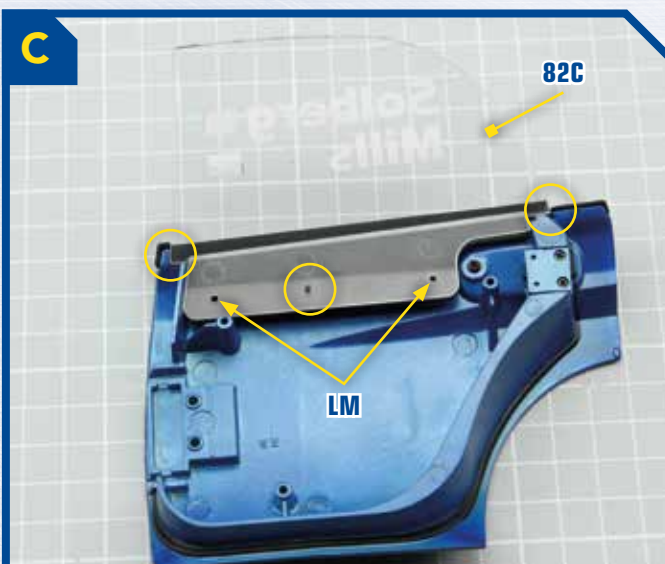
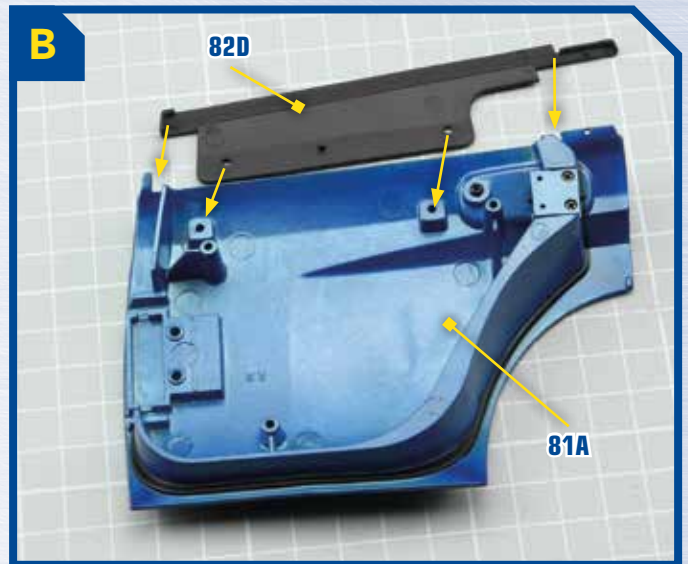
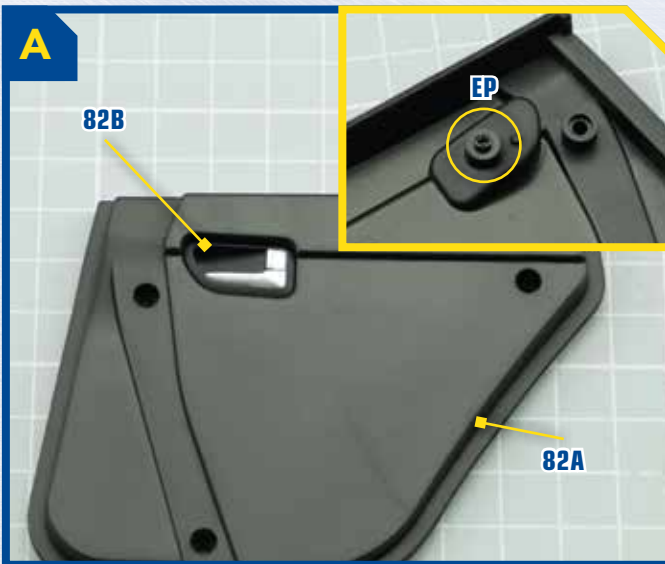


82 PARTS LIST



- 82A Rear door panel (R)
- 82B Inner handle
- 82C Rear door window (R)
- 82D Window base
- 82E Hinge mount (R)
- 82F Hinge (R)

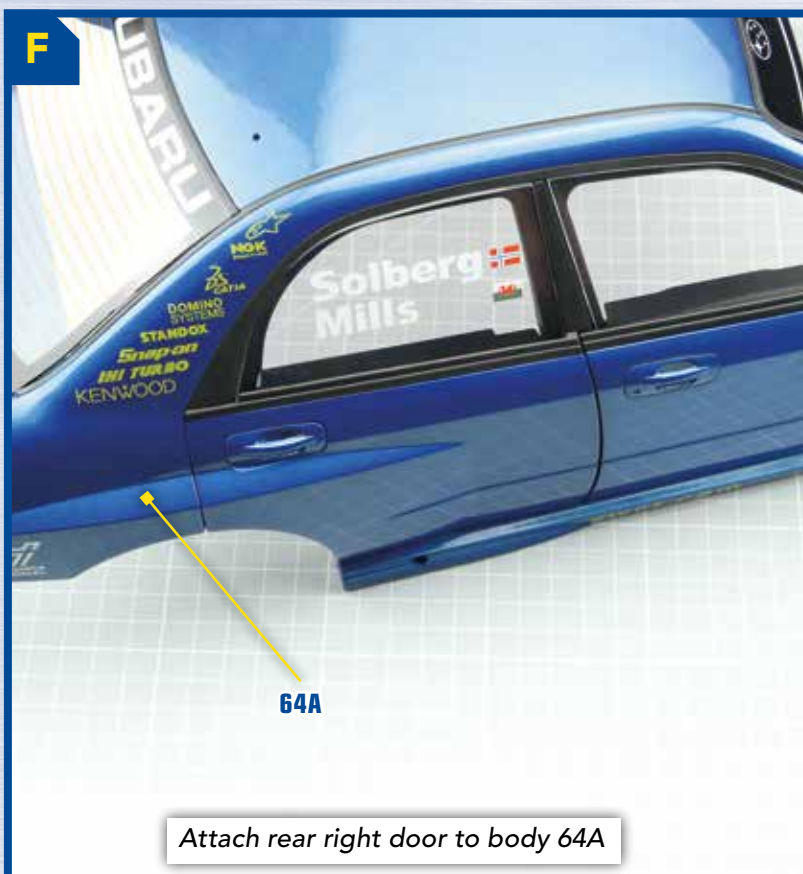
- EP 2 screws (2x5mm)
- LM 8 screws (2x4mm)
- UM 3 screws (2.3x3x5.5mm)
- VM 3 screws (2.3x8mm)



E



F

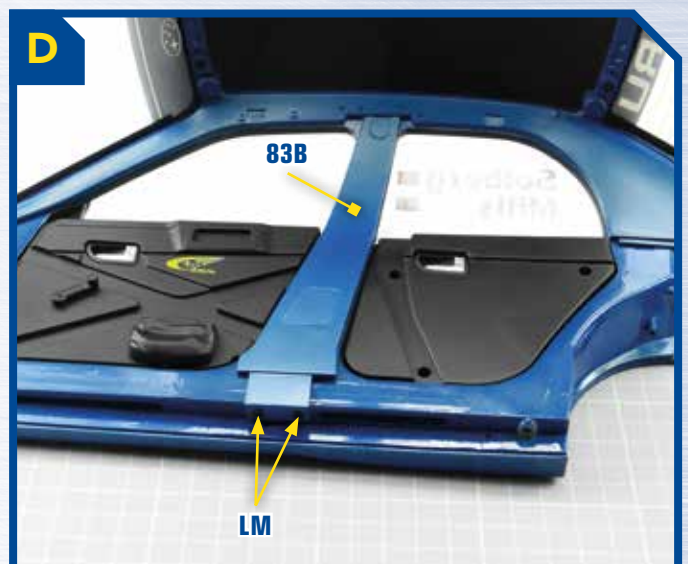
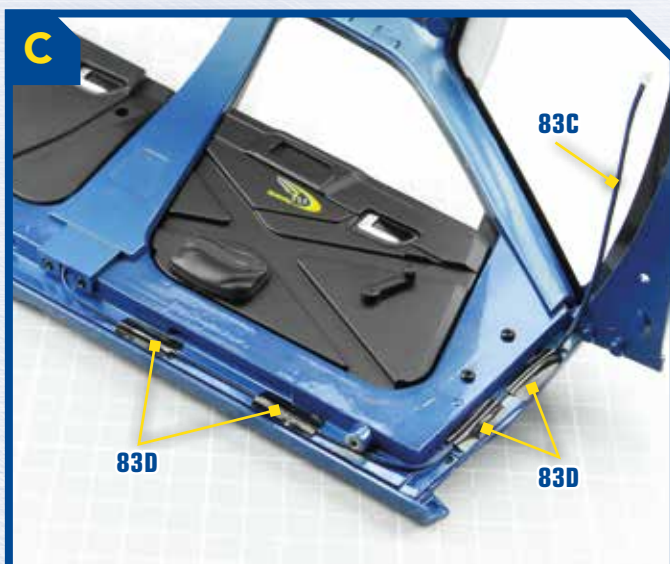
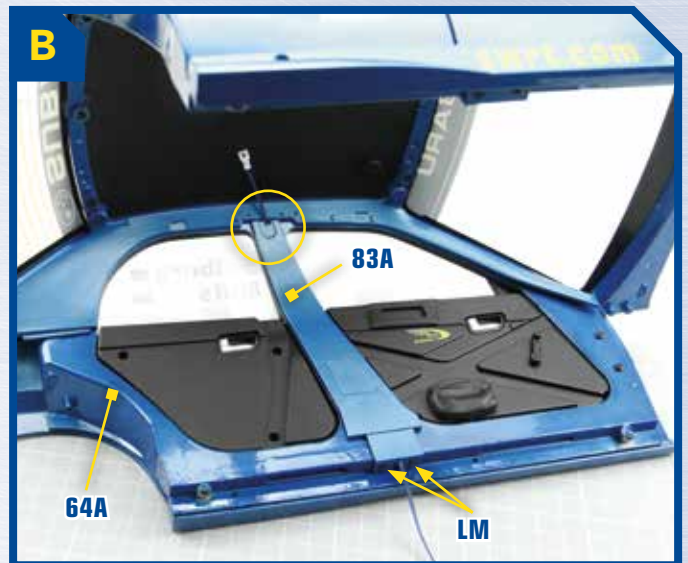
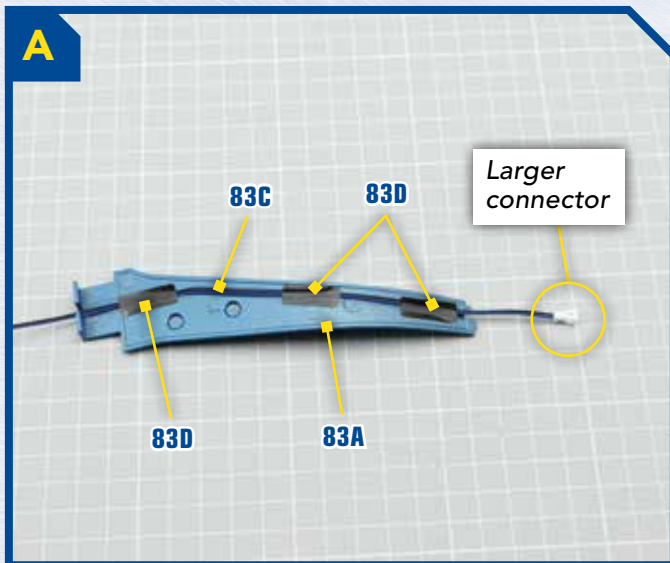


Attach rear right door to body 64A

83 PARTS LIST

- 83A** Inner padding 1 (L)
- 83B** Inner padding 2 (R)
- 83C** Wire
- 83D** Tapes (x2)
- 83E** Decals 1 (x2)
- 83F** Decals 2 (x2)
- 83G** Decals 3 (x4)
- 83H** Decals 4 (x2)
- 83I** Decals 5 (x2)

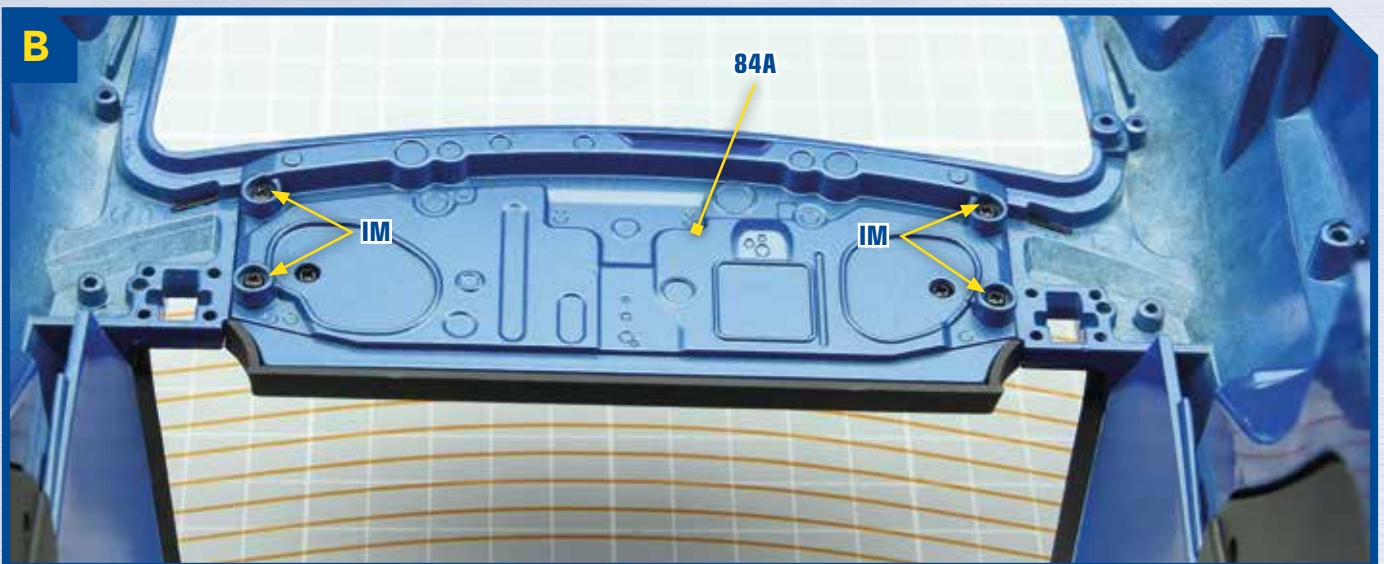
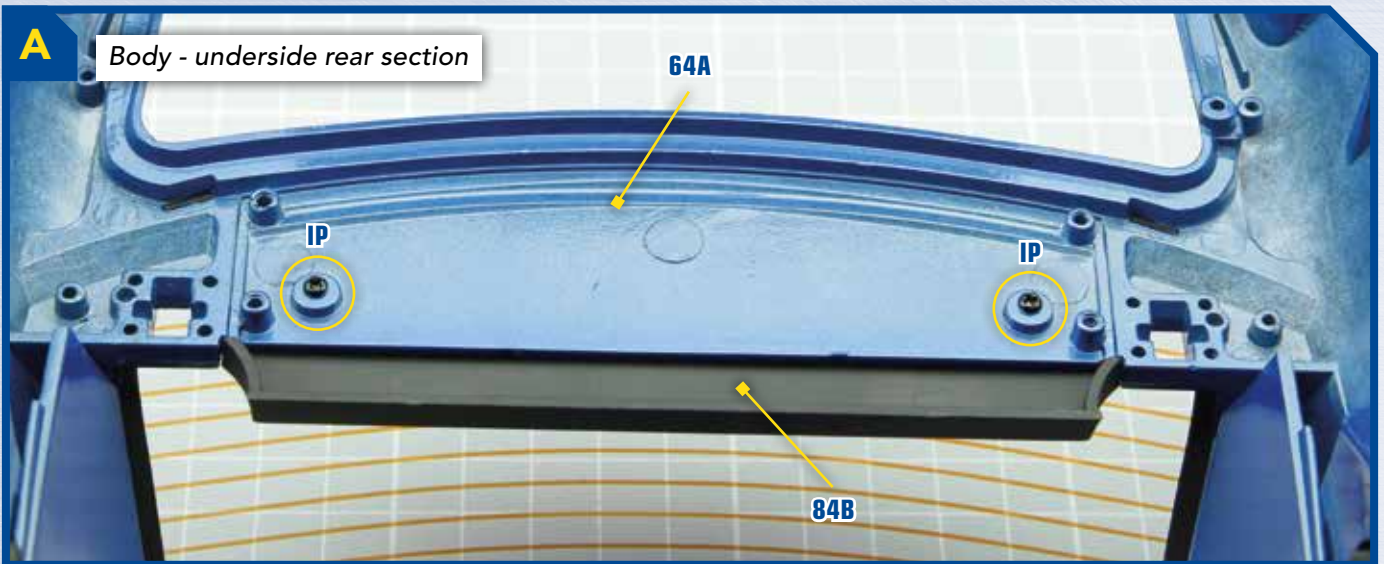
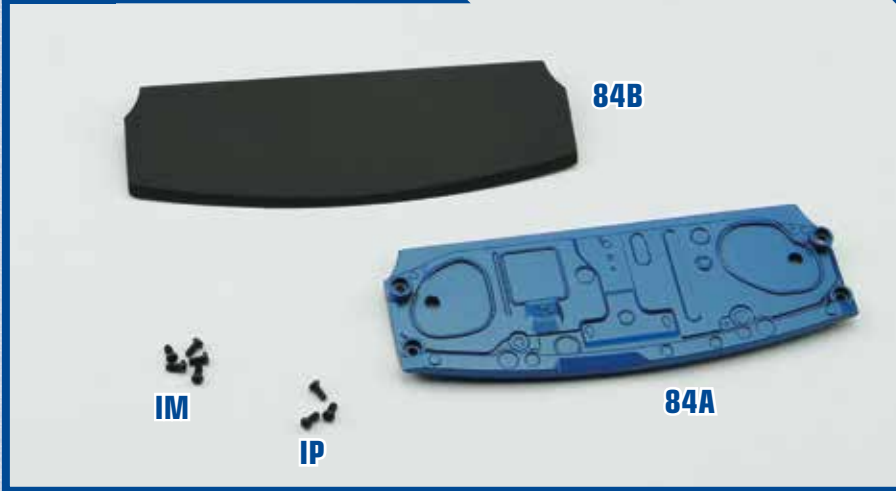
LM 5 screws (2x4mm)



84 PARTS LIST

84A Panel 1
84A Panel 2

IP 3 screws (2x4mm)
IM 5 screws (2.3x4mm)



85 PARTS LIST

85A



85A Boot lid

A

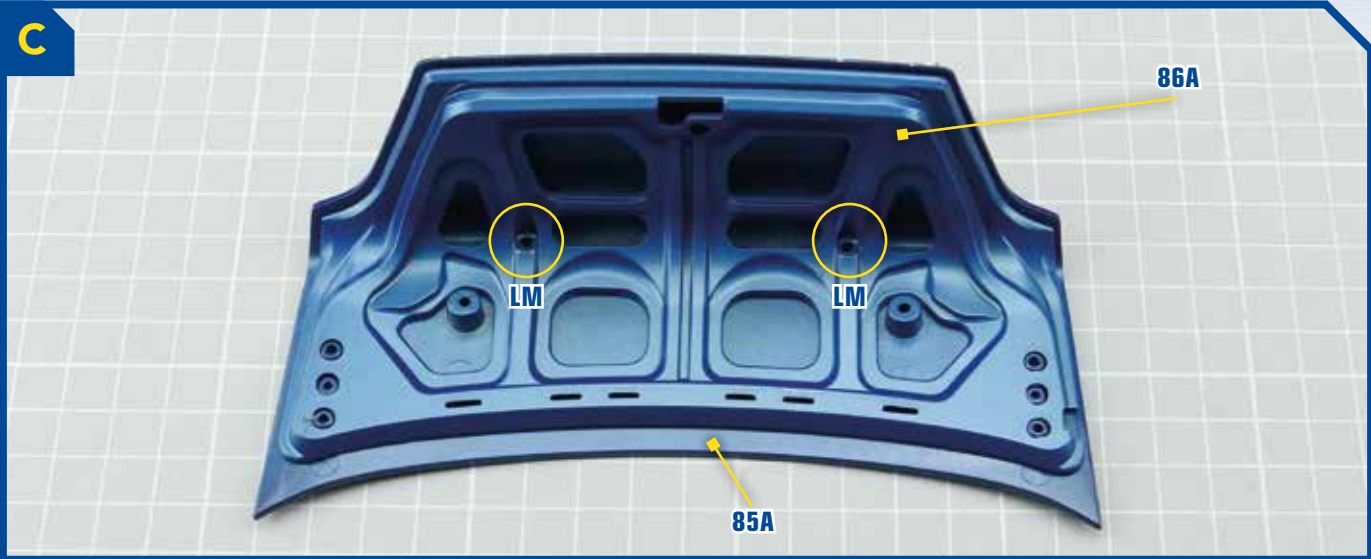
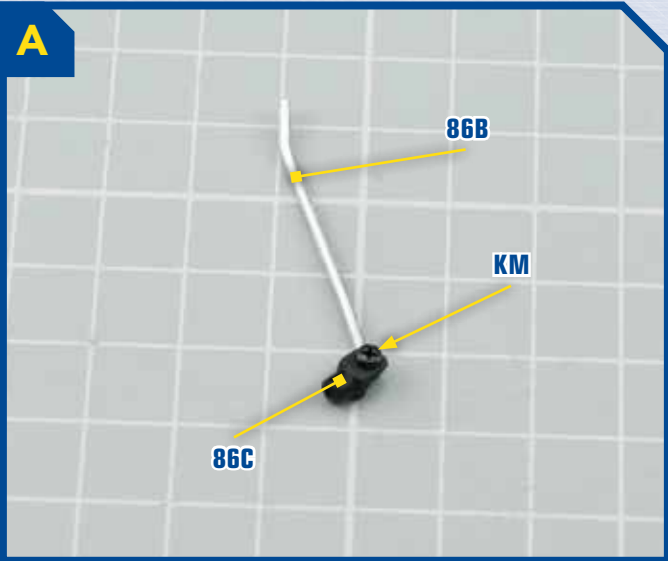


85A - underside

86 PARTS LIST

- 86A** Boot lid mount
- 86B** Support rod
- 86C** Base

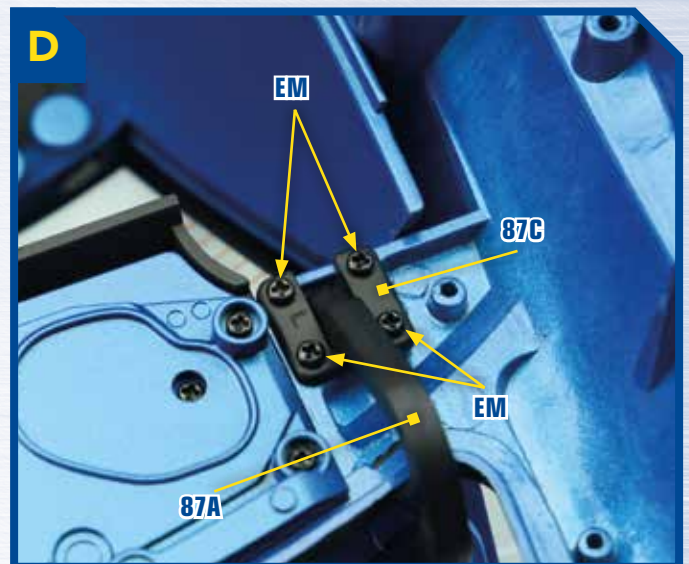
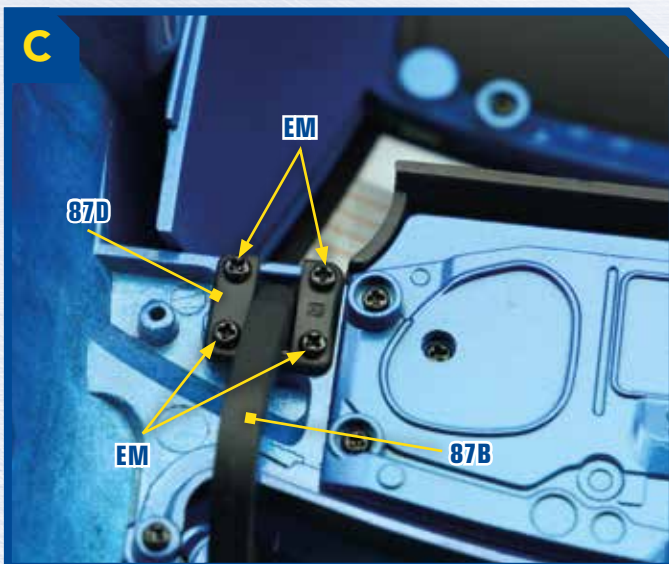
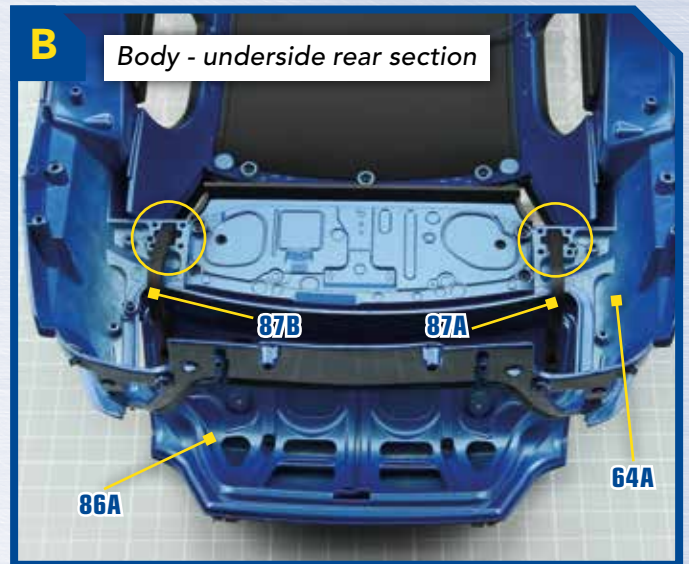
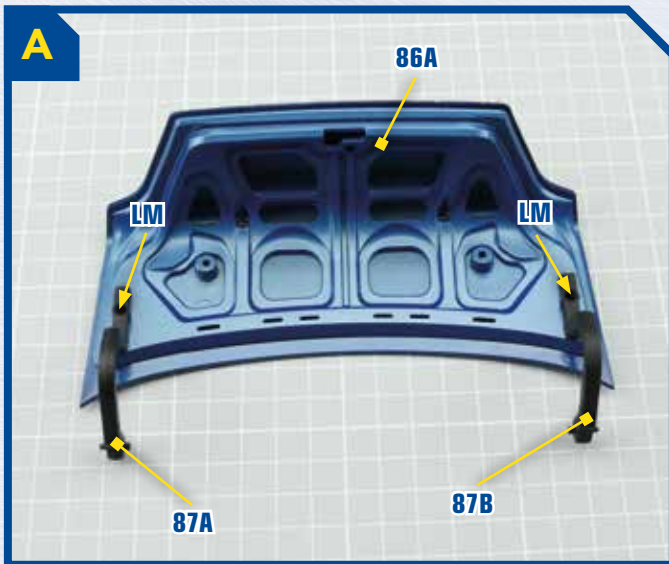
- DM** 2 screws (1.7x3mm)
- KM** 2 screws (1.5x3mm)
- LM** 3 screws (2x4mm)



87 PARTS LIST

- 87A** Hinge 1 (L)
- 87B** Hinge 2 (R)
- 87C** Hinge mount 1 (L)
- 87D** Hinge mount 2 (R)

- EM** 10 screws (2x5mm)
- LM** 3 screws (2x4mm)



88 PARTS LIST

- 88A** Tail light lens (L)
- 88B** Tail light body (L)

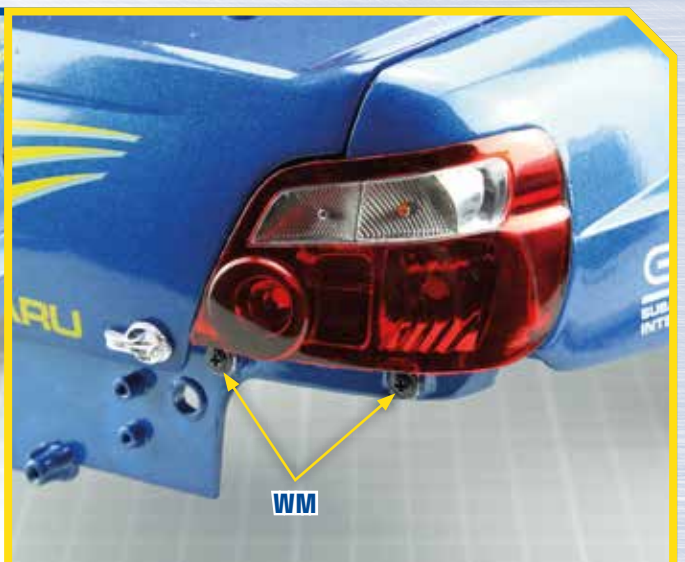
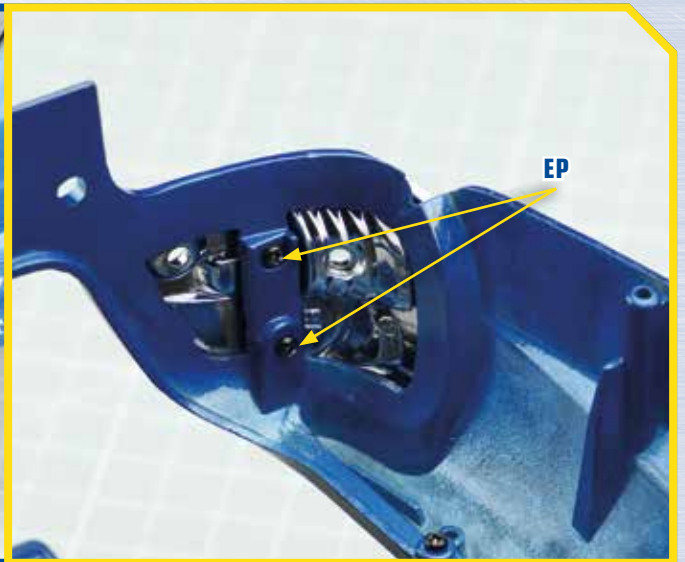
- EP** 3 screws (2x5mm)
- WM** 3 screws (1.7x4x5mm)



89 PARTS LIST

89A Tail light lens (R)
89B Tail light body (R)

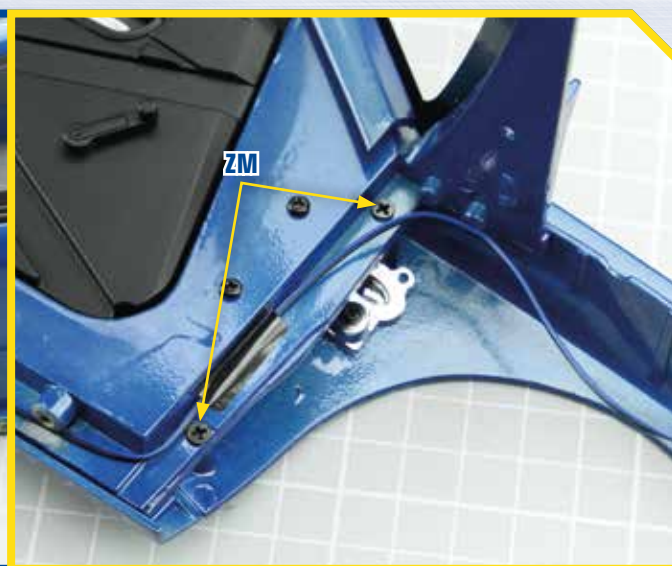
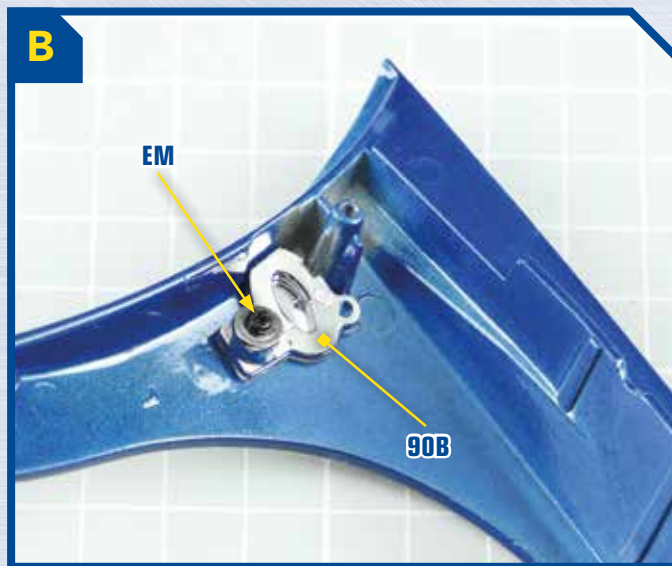
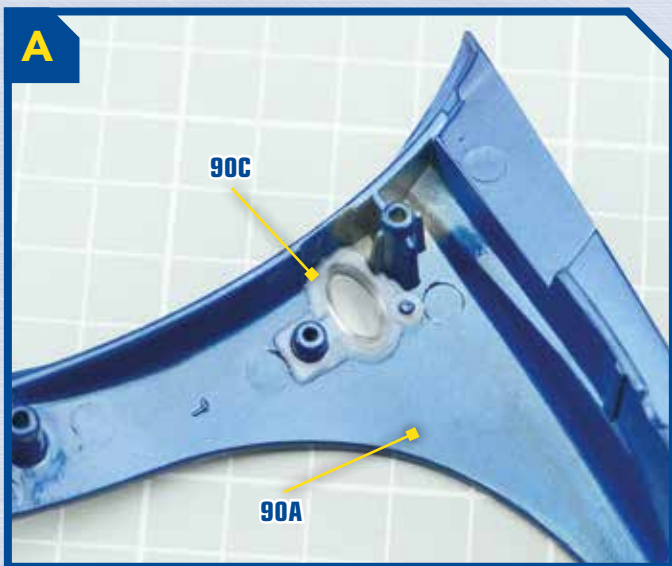
EP 3 screws (2x5mm)
WM 3 screws (1.7x4x5mm)



90 PARTS LIST

- 90A** Front mudguard (L)
- 90B** Turn signal body (L)
- 90C** Turn signal lens (L)

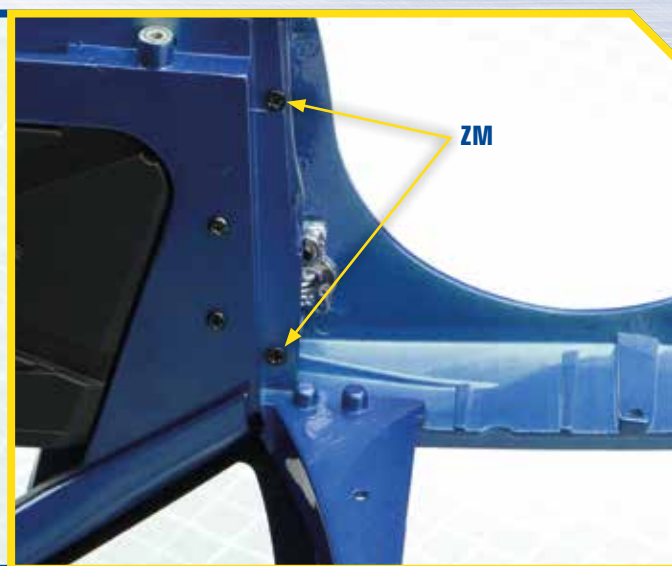
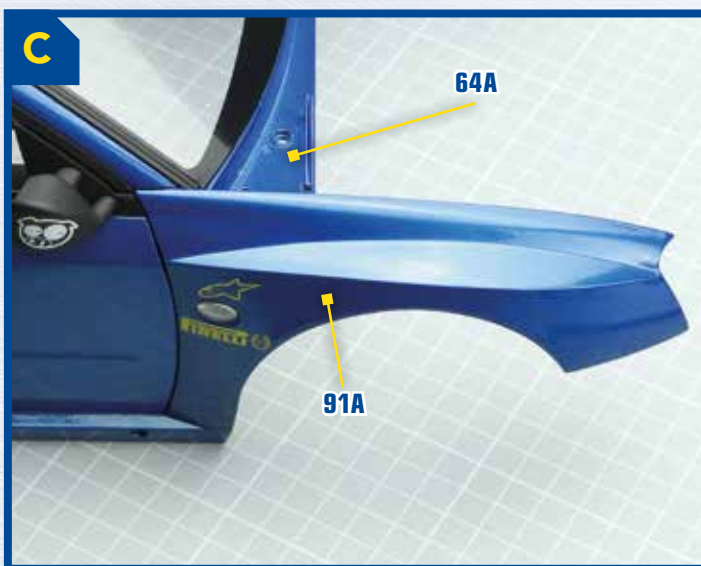
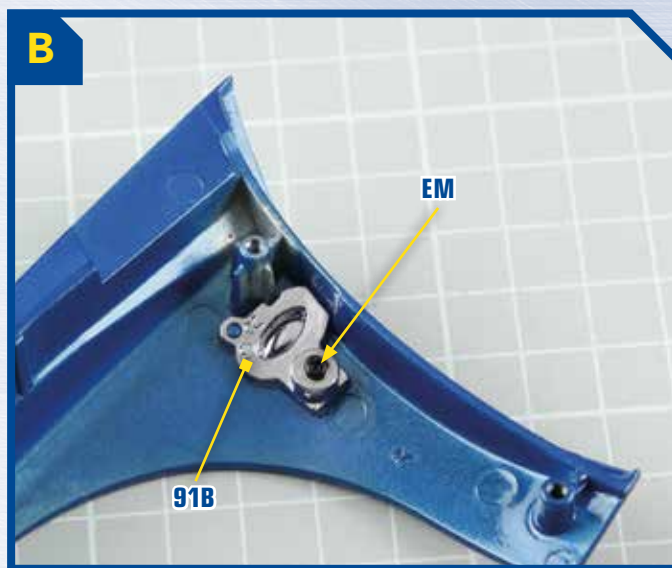
- EM** 2 screws (2x5mm)
- ZM** 3 screws (2.3x4mm)



91 PARTS LIST

- 91A** Front mudguard (R)
- 91B** Turn signal body (R)
- 91C** Turn signal lens (R)

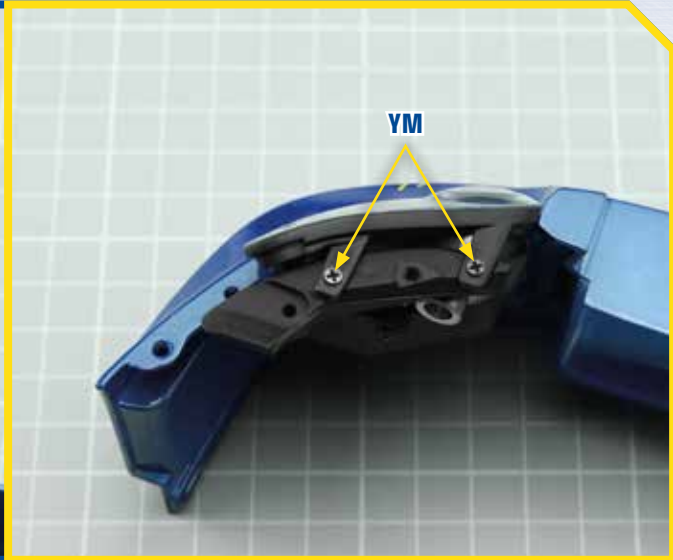
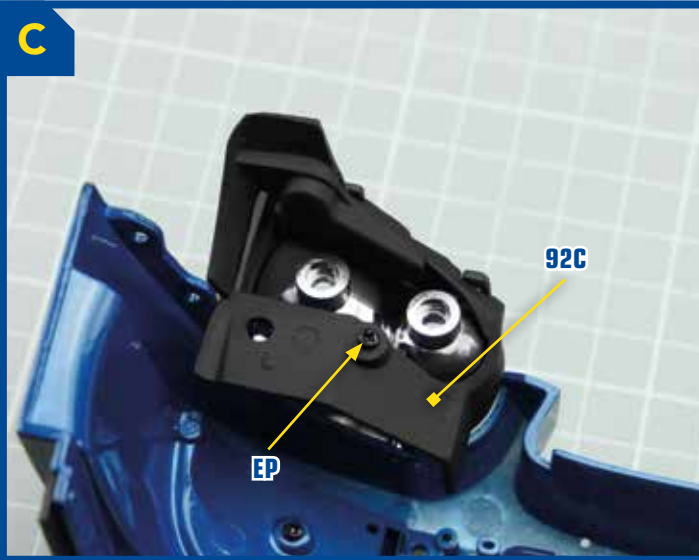
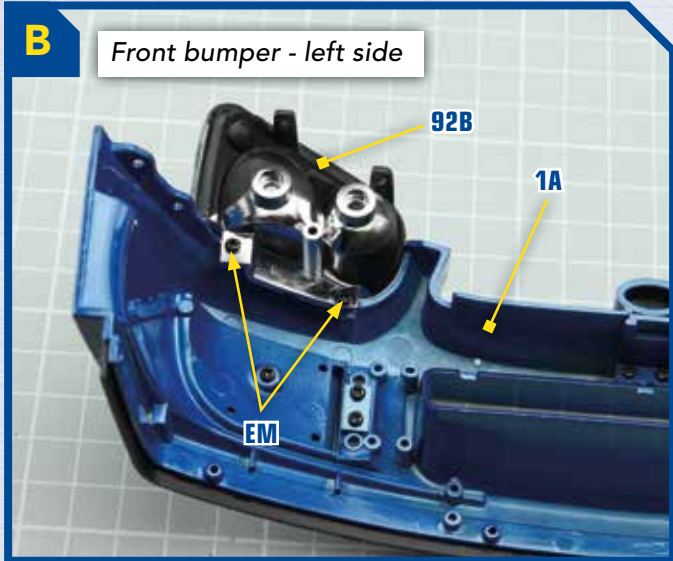
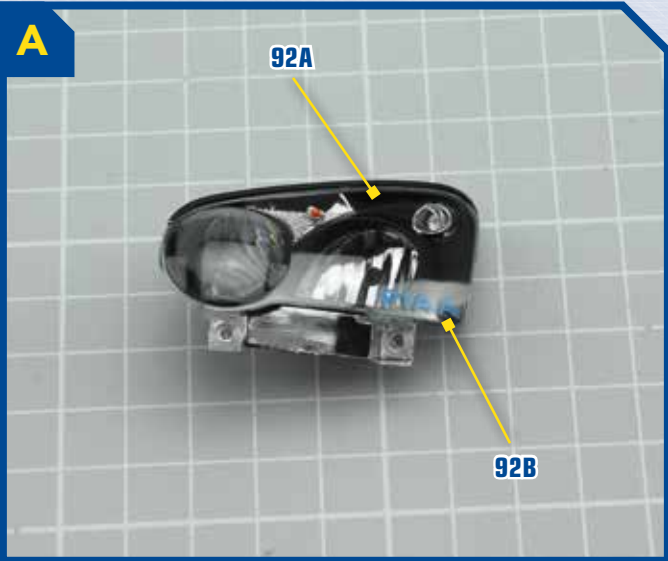
- EM** 2 screws (2x5mm)
- ZM** 3 screws (2.3x4mm)



92 PARTS LIST

- 92A** Headlight lens (L)
- 92B** Headlight body (L)
- 92C** Headlight mount (L)

- EP** 2 screws (2x5mm)
- EM** 3 screws (2x5mm)
- YM** 3 screws (2x5mm)



93 PARTS LIST



- 93A Headlight lens (R)
- 93B Headlight body (R)
- 93C Headlight mount (R)

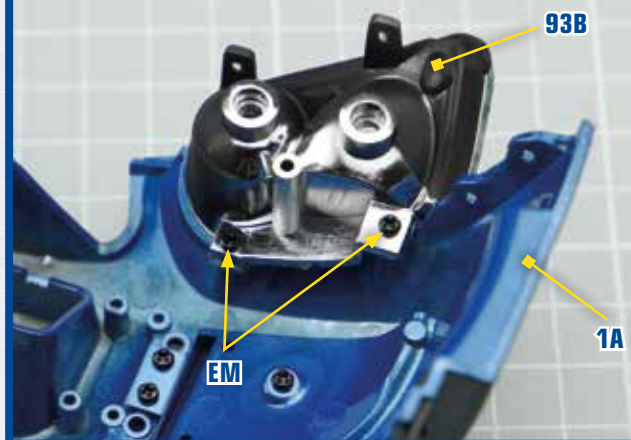
- EP 2 screws (2x5mm)
- EM 3 screws (2x5mm)
- YM 3 screws (2x5mm)

A

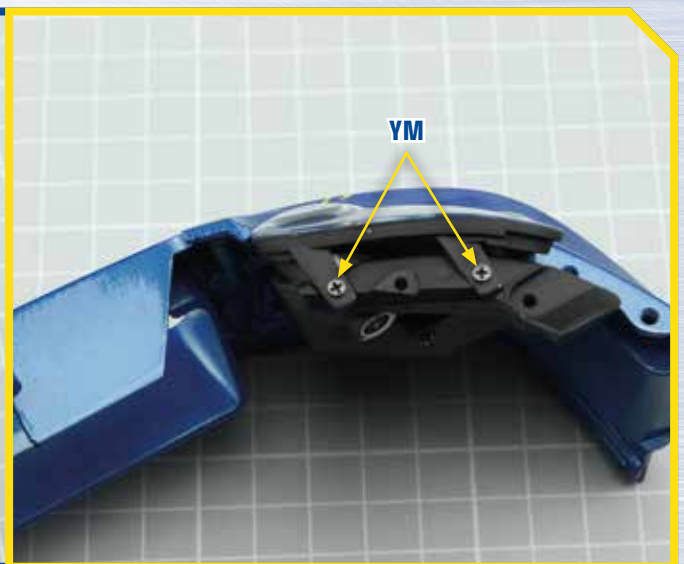
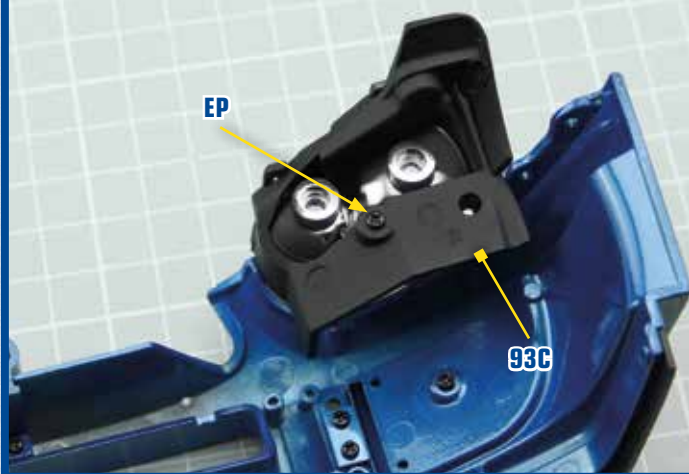


B

Front bumper - right side

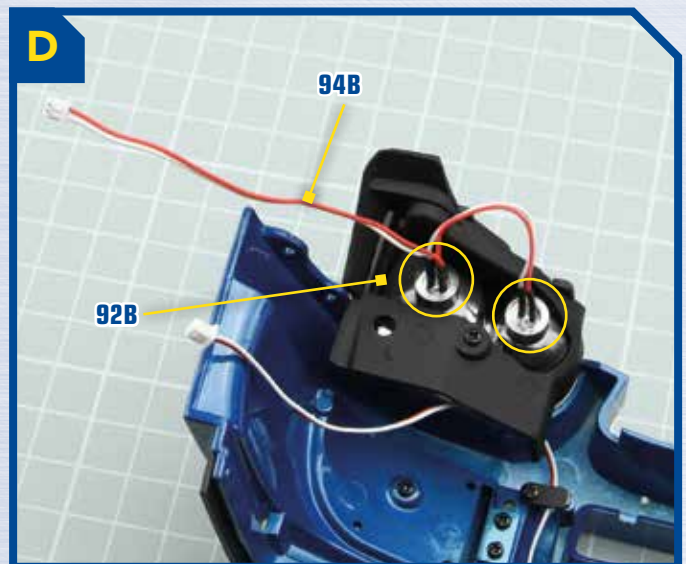
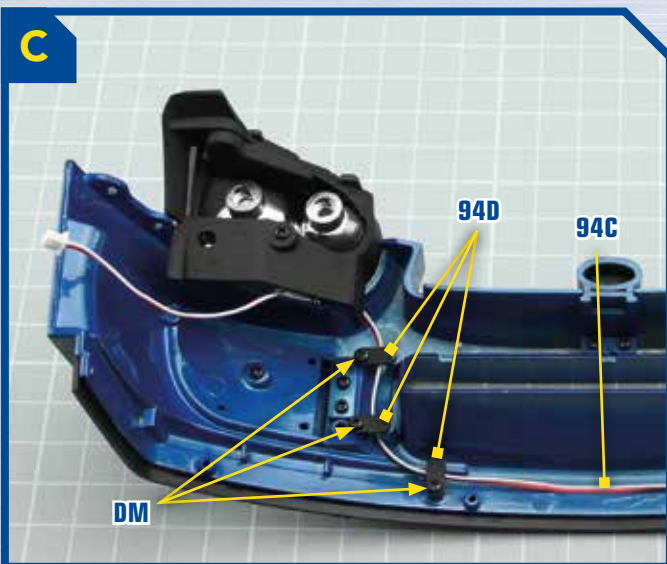
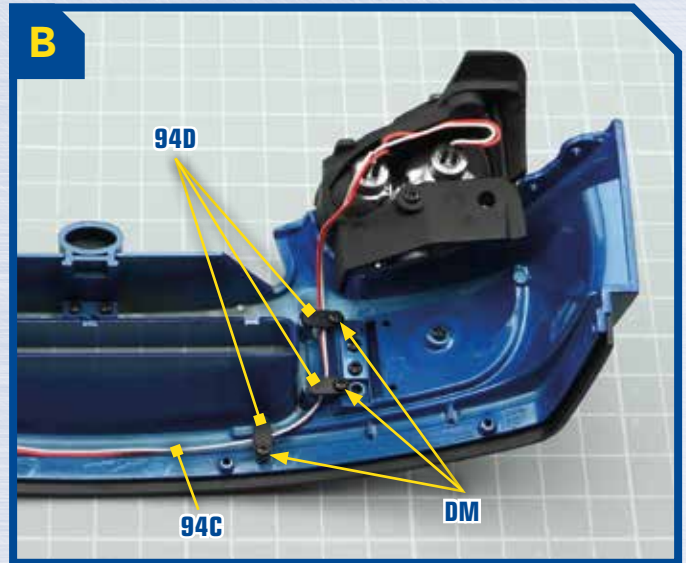


C



94 PARTS LIST

- 94A** Bonnet air vent
- 94B** LED 1 (L)
- 94C** LED 2 (R)
- 94D** Fairleads (x6)
- DM** 8 screws (1.7x3mm)



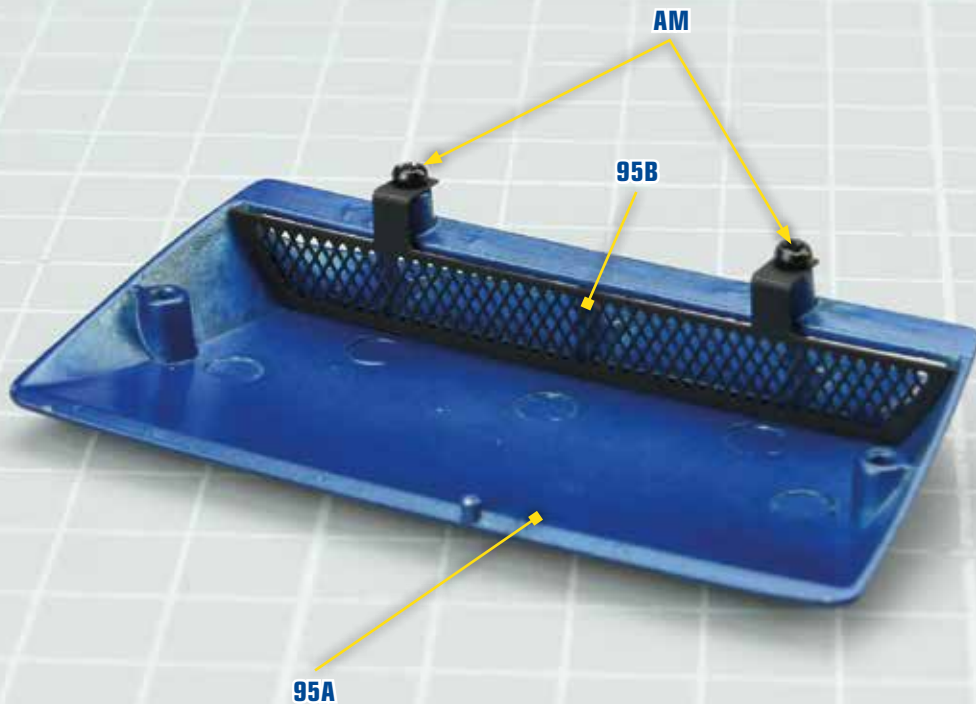
95 PARTS LIST

95A Air intake
95B Grill

AM 3 screws (1.7x2.5mm)



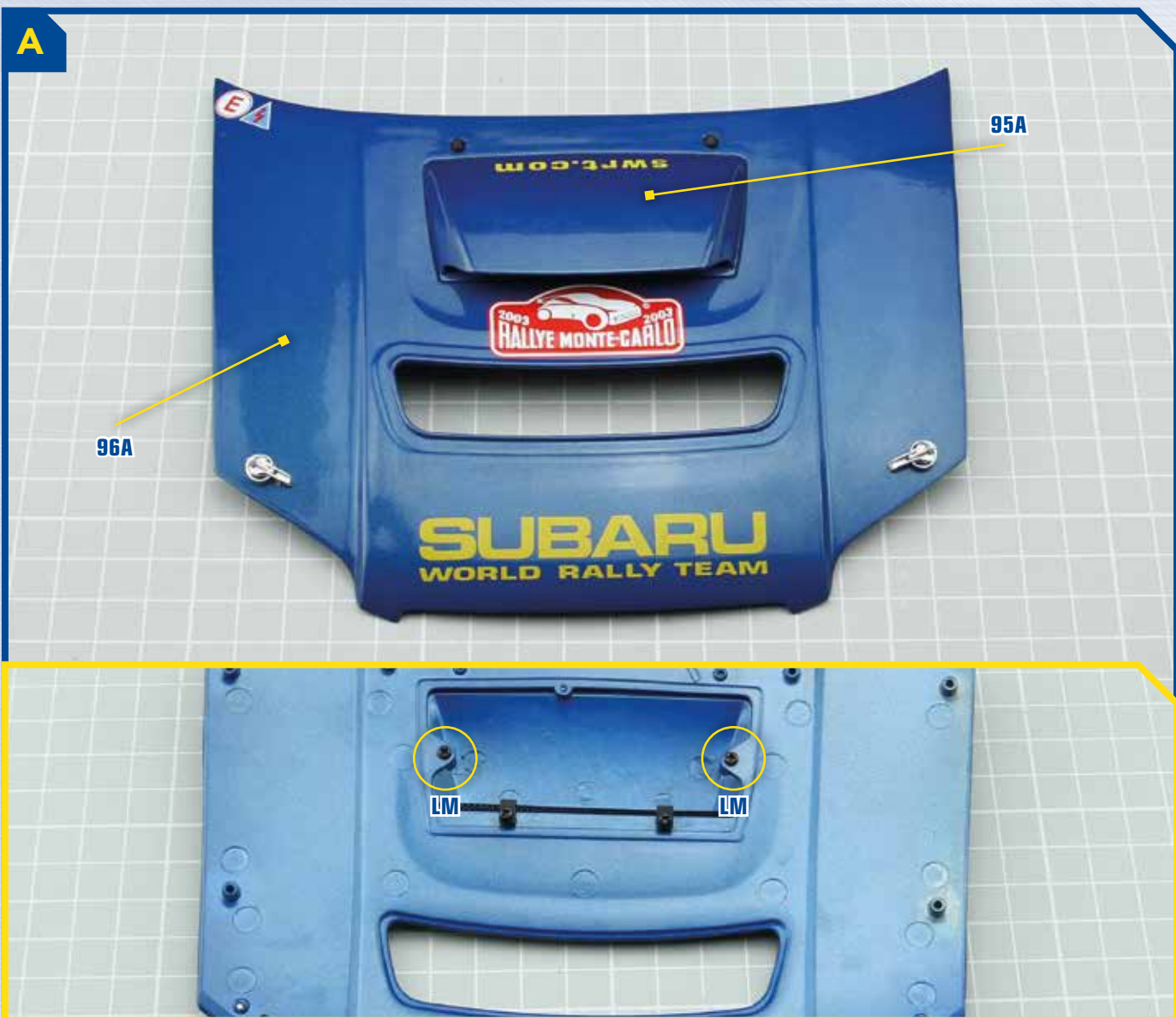
A



96 PARTS LIST

96A Bonnet

LM 3 screws (2x4mm)



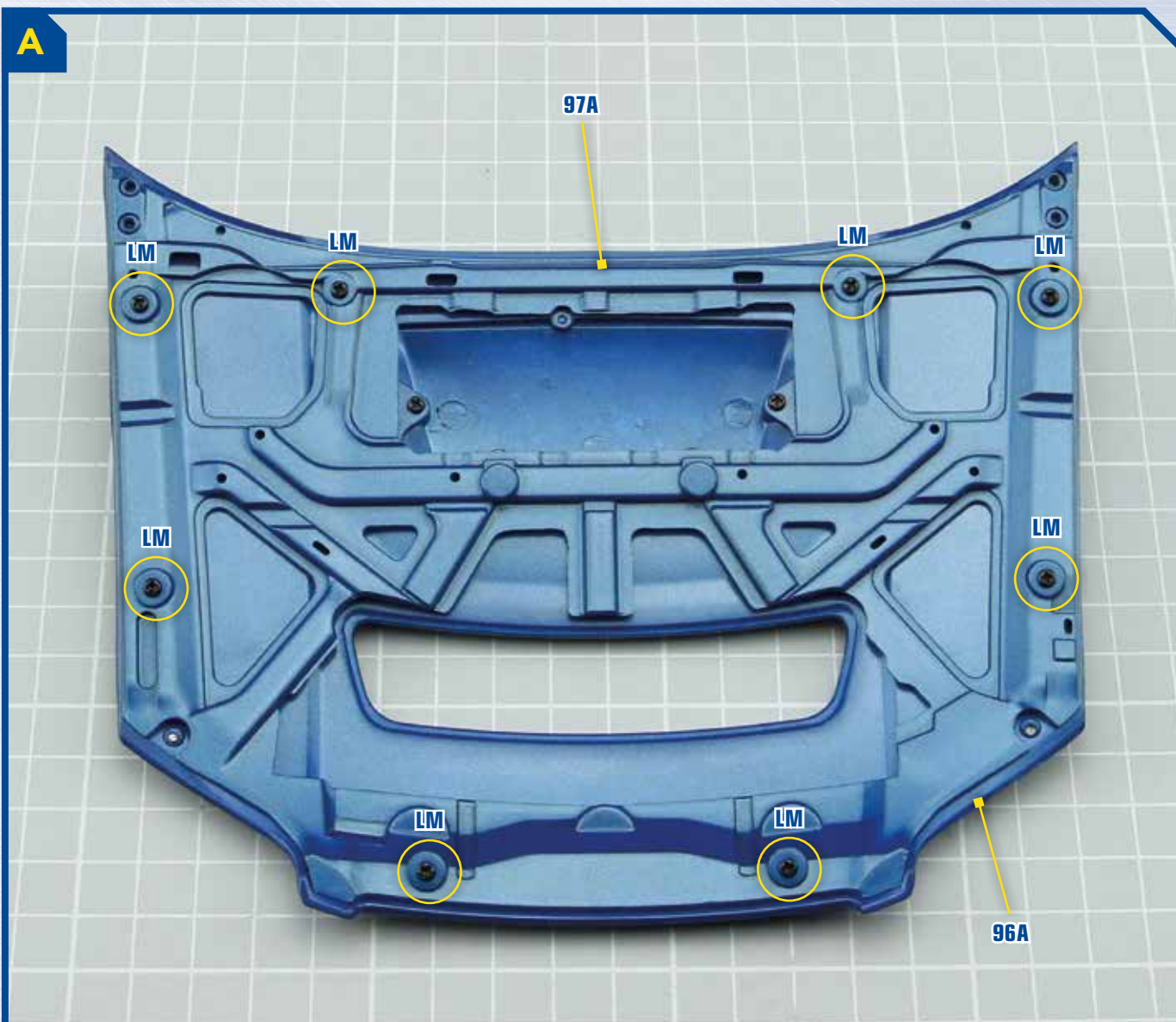
97 PARTS LIST

97A Bonnet mount

LM 10 screws (2x4mm)



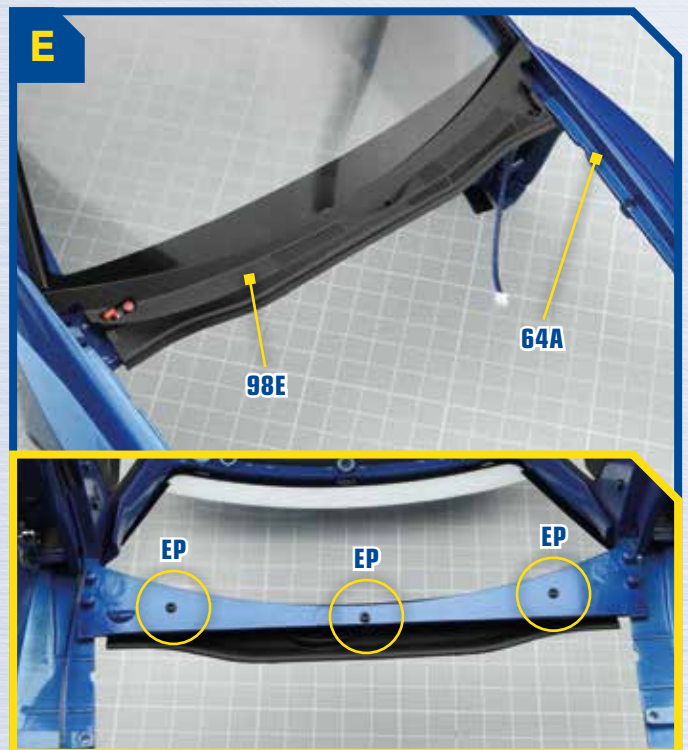
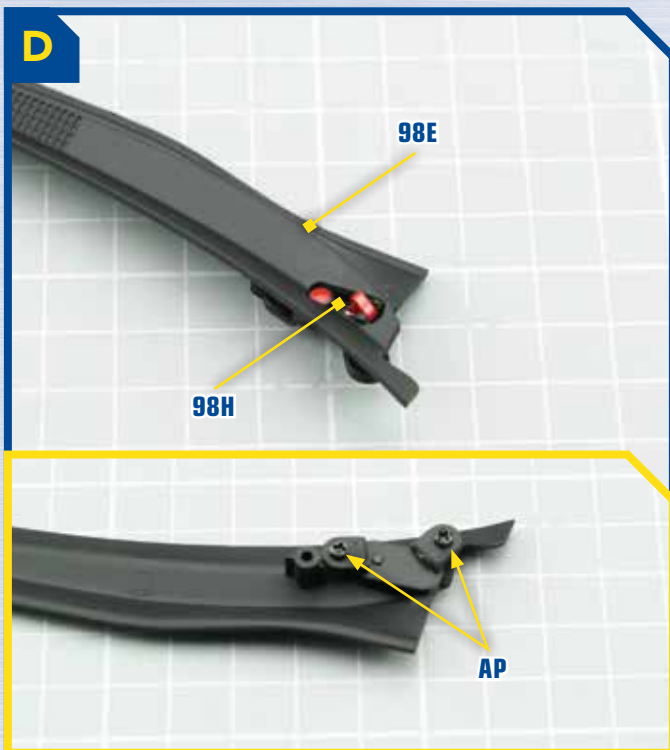
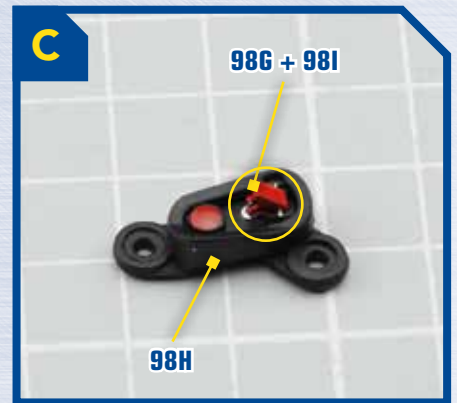
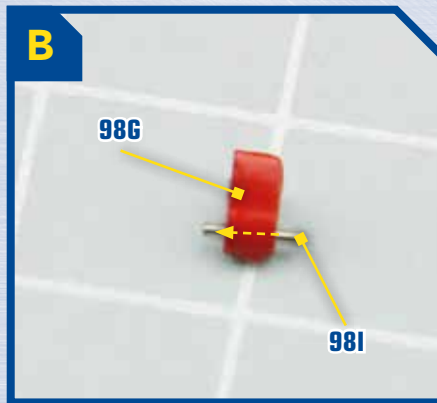
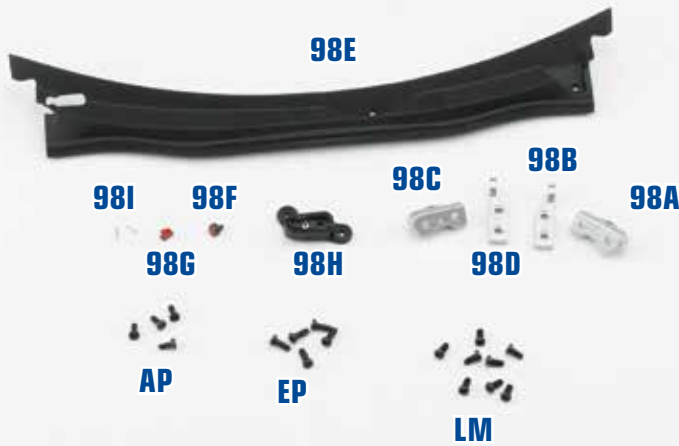
A



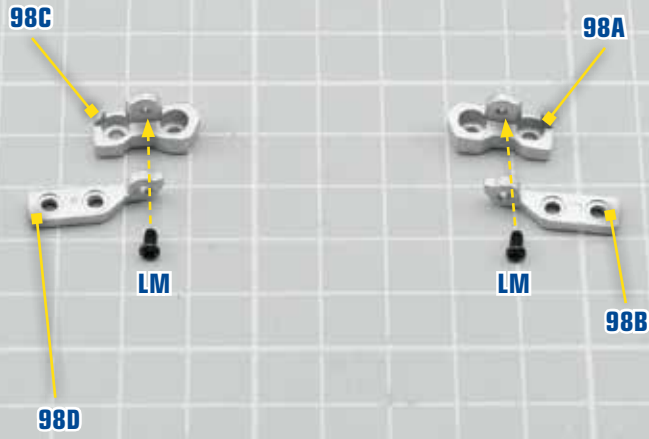
98 PARTS LIST

- 98A** Hinge base (L)
- 98B** Hinge bracket (L)
- 98C** Hinge base (R)
- 98D** Hinge bracket (R)
- 98E** Panel
- 98F** Fitting
- 98G** Hook
- 98H** Base
- 98I** Pins (x2)

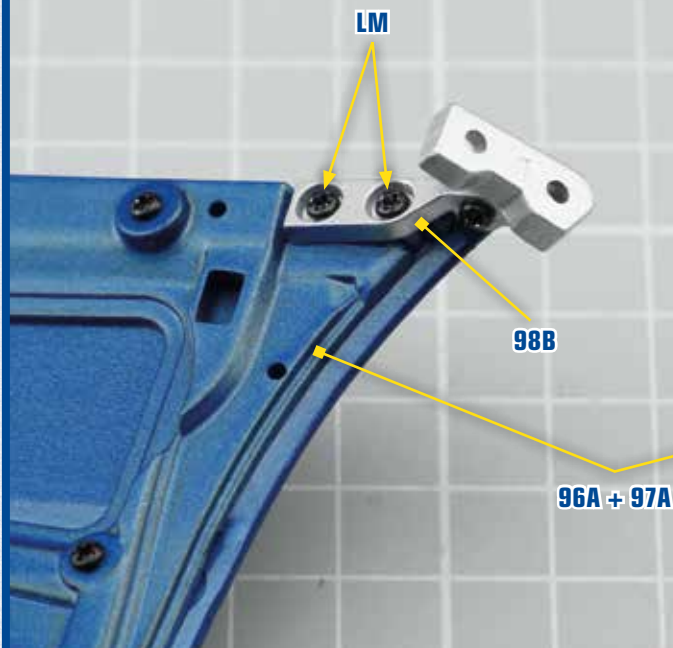
- AP** 3 screws (1.7x4mm)
- EP** 4 screws (2x5mm)
- LM** 8 screws (2x4mm)



F



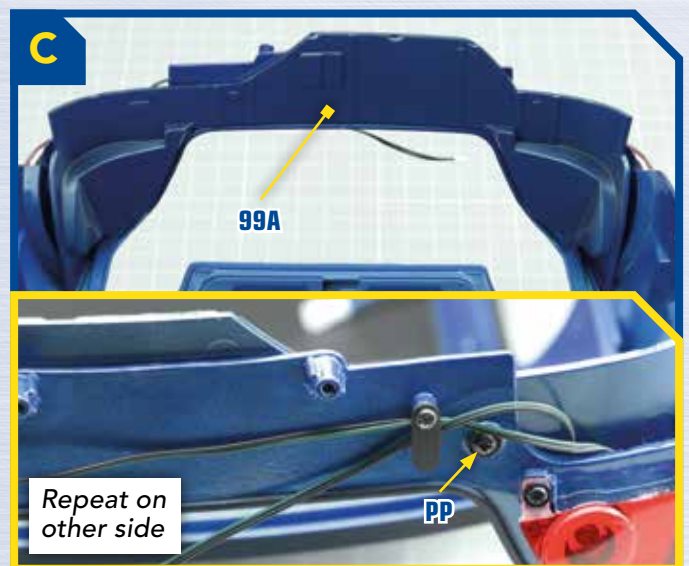
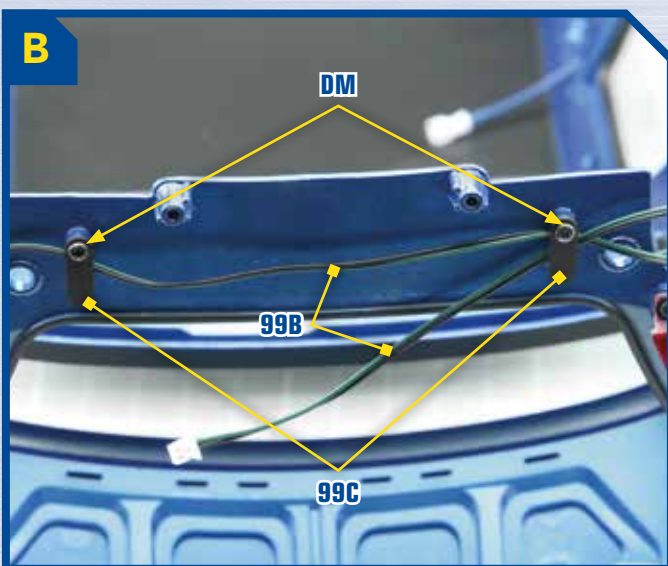
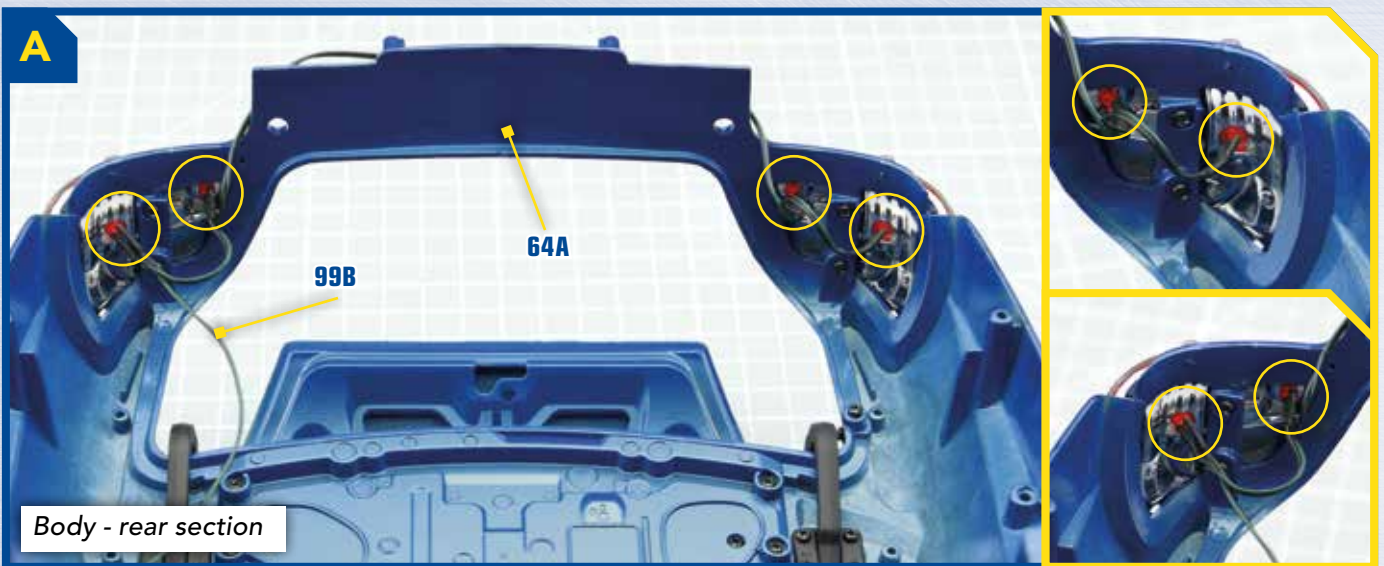
G



99 PARTS LIST



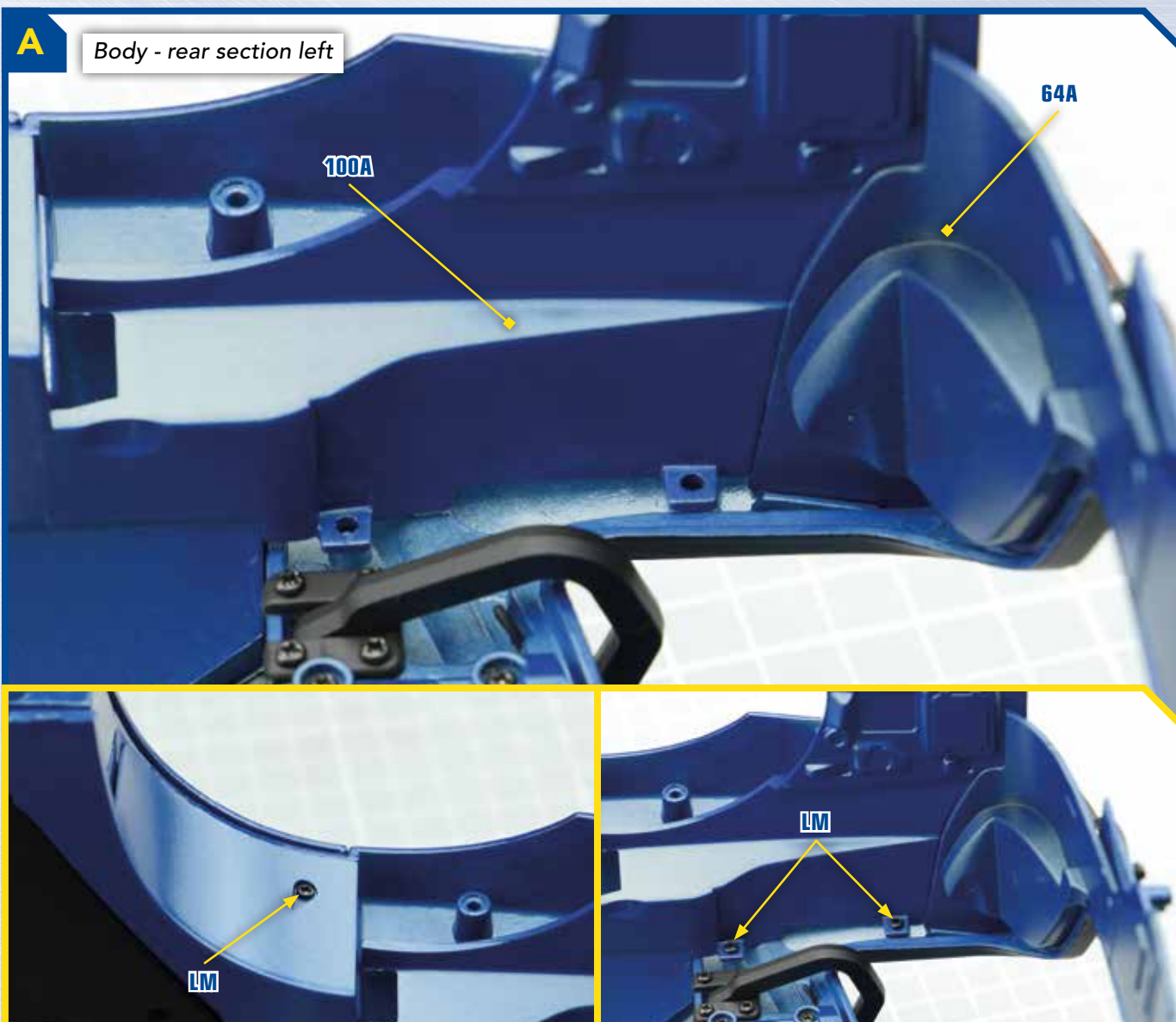
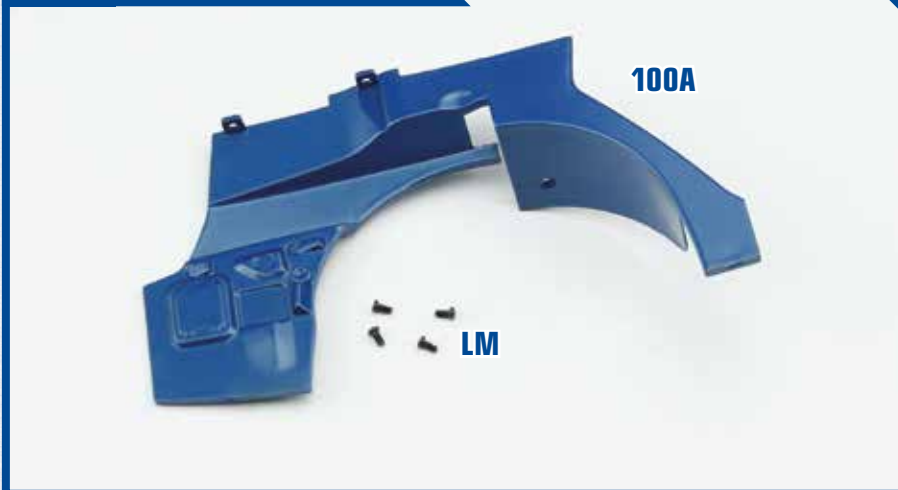
- 99A** Panel
- 99B** Wire
- 99C** Fairleads (x2)
- PP** 3 screws (2x2.5x5mm)
- DM** 3 screws (1.7x3mm)



100 PARTS LIST

100A Rear mudguard (L)

LM 4 screws (2x4mm)



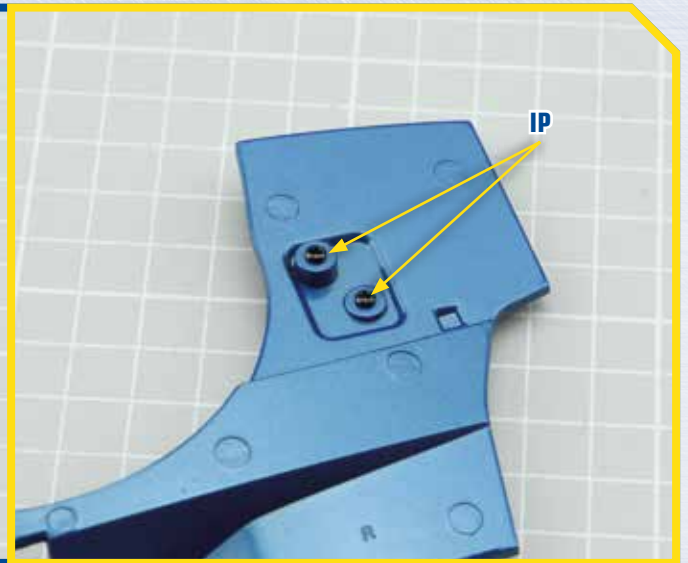
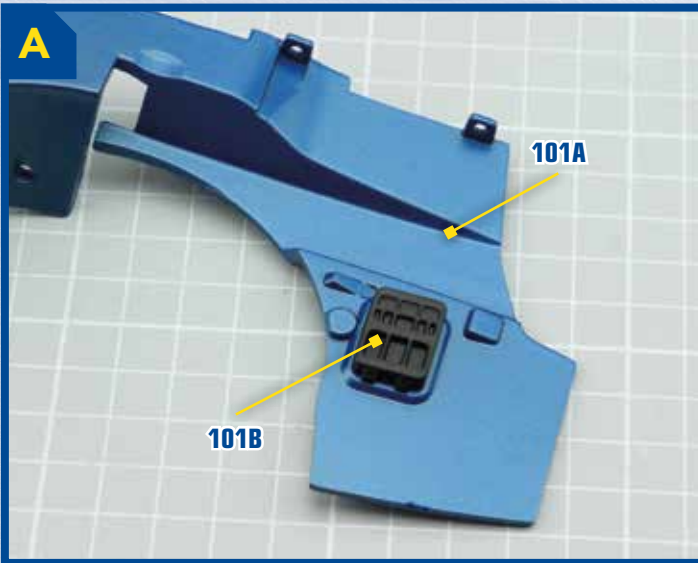
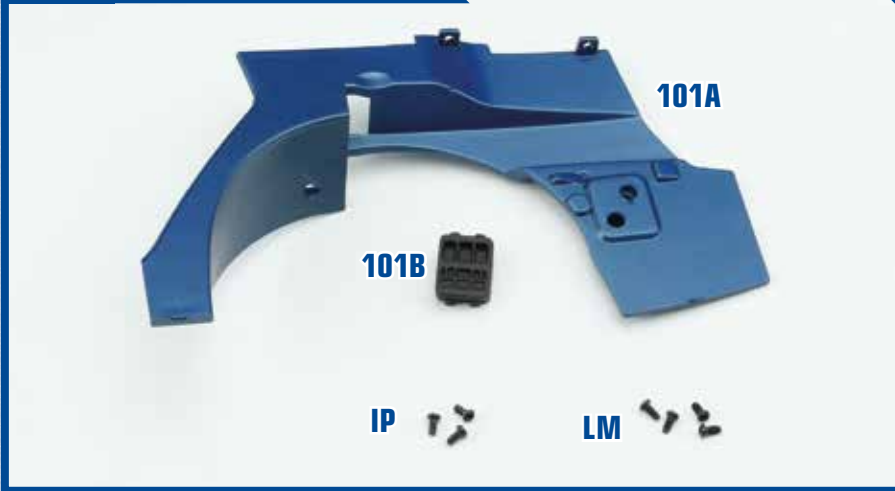
101 PARTS LIST

101A Rear mudguard (R)

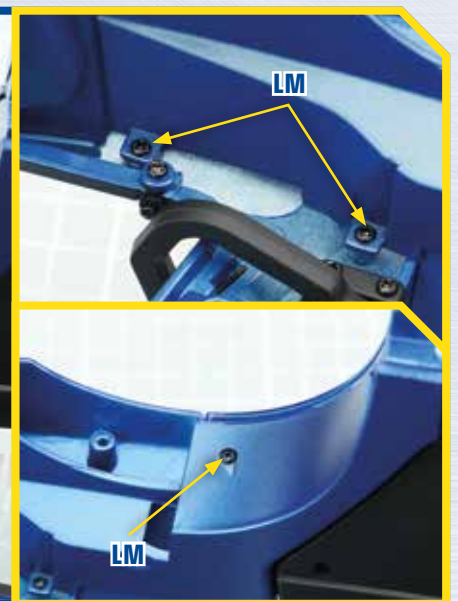
101B Air vent

IP 3 screws (2x4mm)

LM 4 screws (2x4mm)



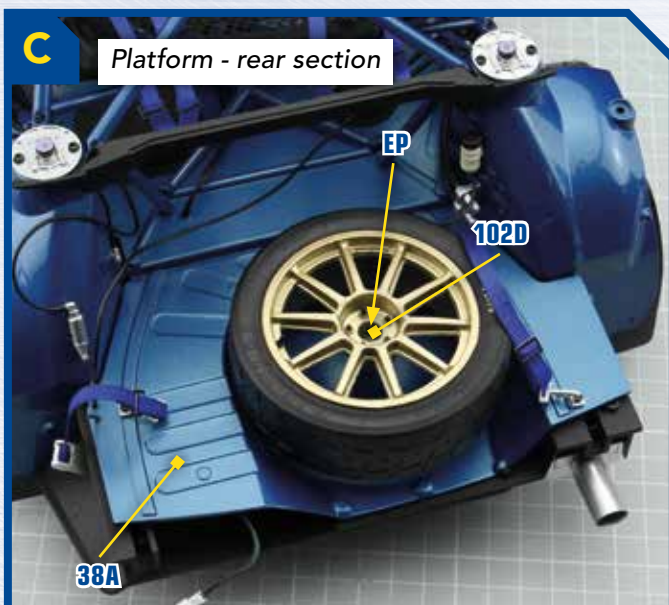
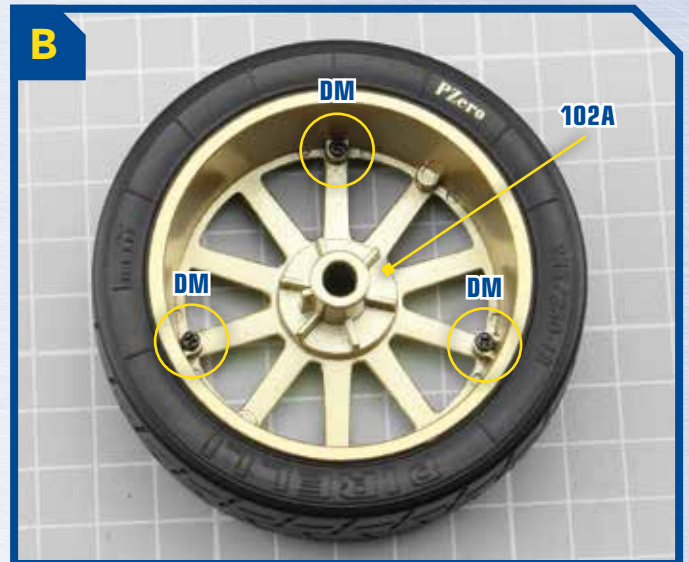
Body - rear section right



102 PARTS LIST

- 102A** Spokes
- 102B** Rim
- 102C** Tyre
- 102D** Ring

- EP** 2 screws (2x5mm)
- DM** 4 screws (1.7x3mm)

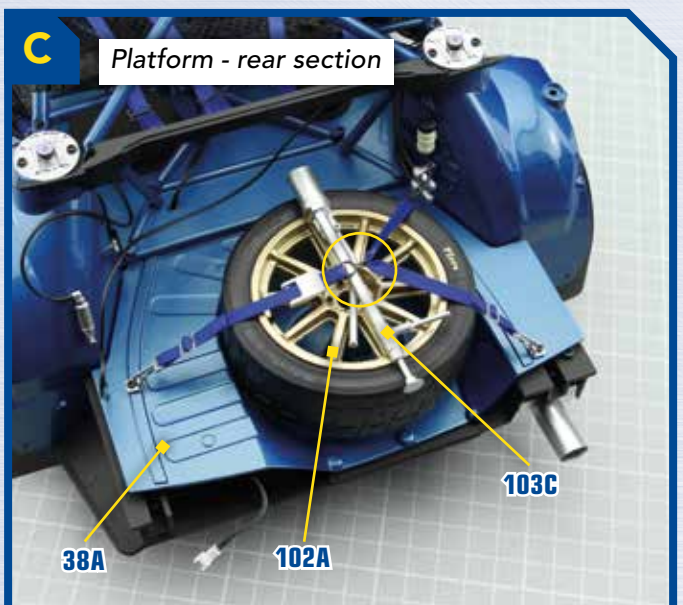
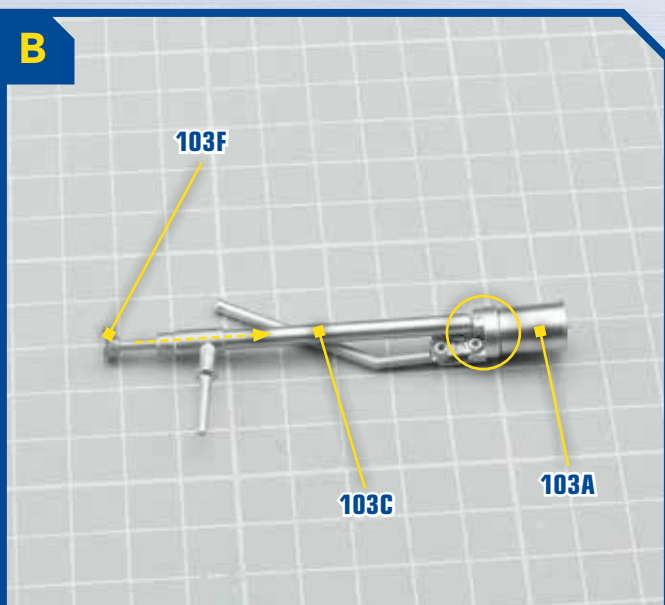
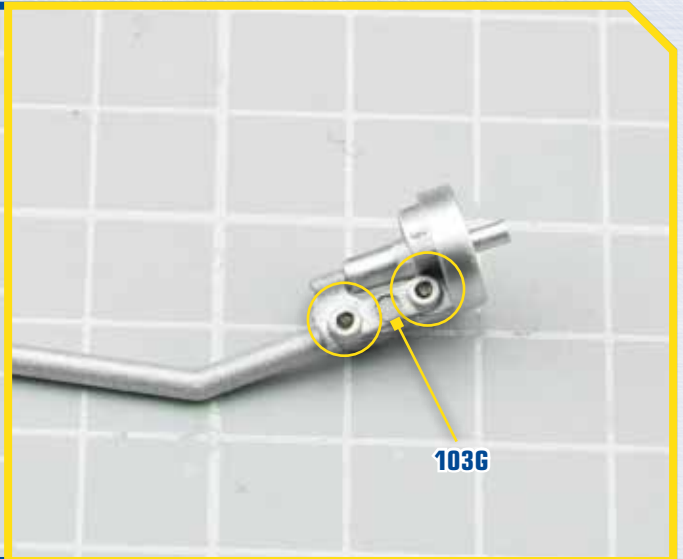
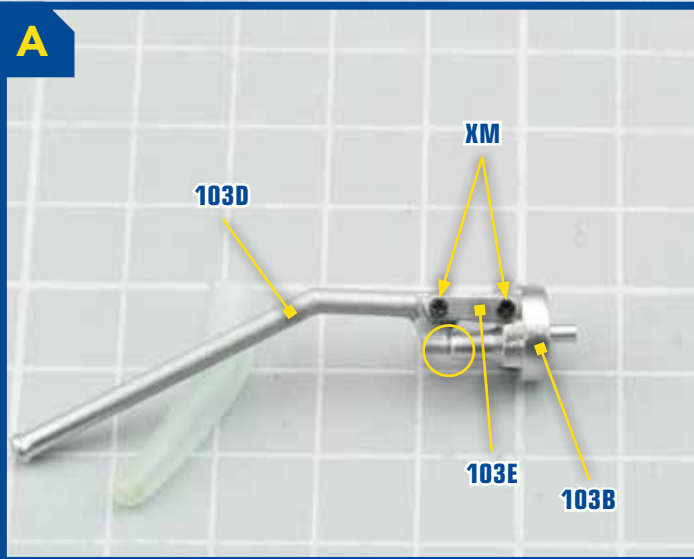


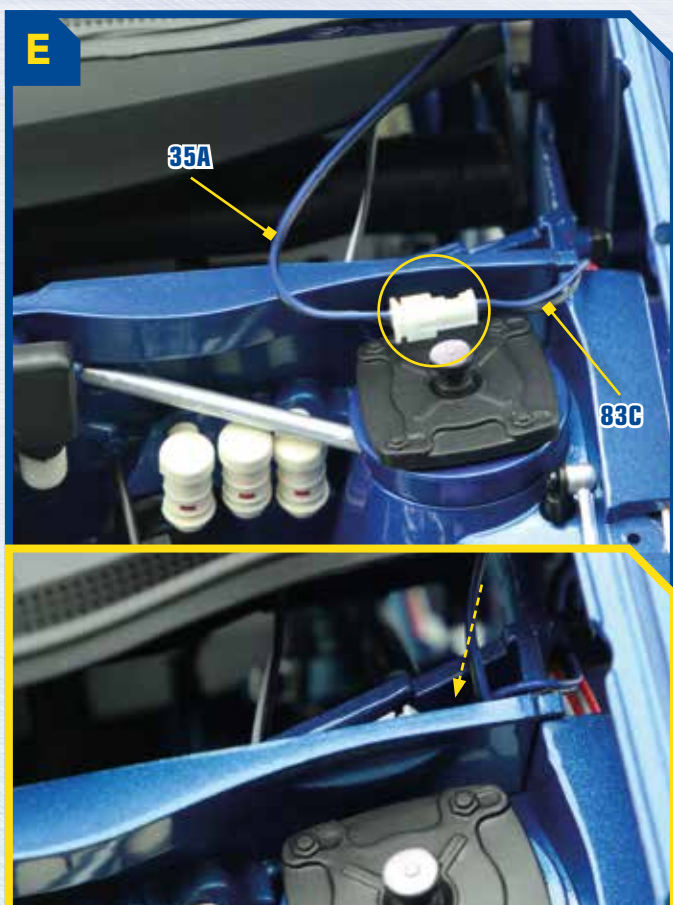
103 PARTS LIST



- 103A** Jack part A
- 103B** Jack part B
- 103C** Jack part C
- 103D** Jack part D
- 103E** Plate 1
- 103F** Jack part E
- 103G** Plate 2

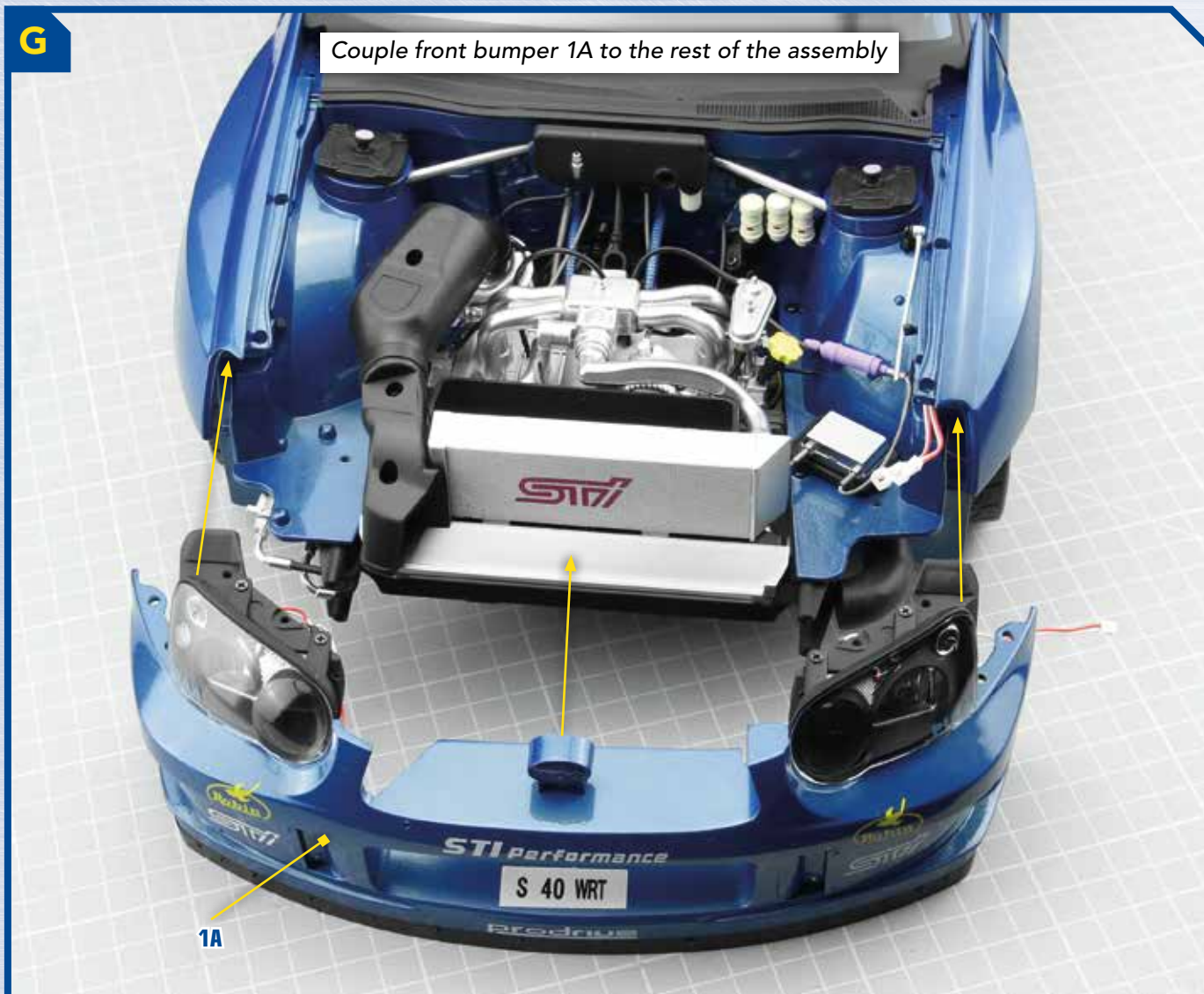
- EM** 5 screws (2x5mm)
- HM** 14 screws (2.3x5mm)
- LM** 5 screws (2x4mm)
- SM** 3 screws (1.7x3.5mm)
- XM** 3 screws (1.2x5mm)



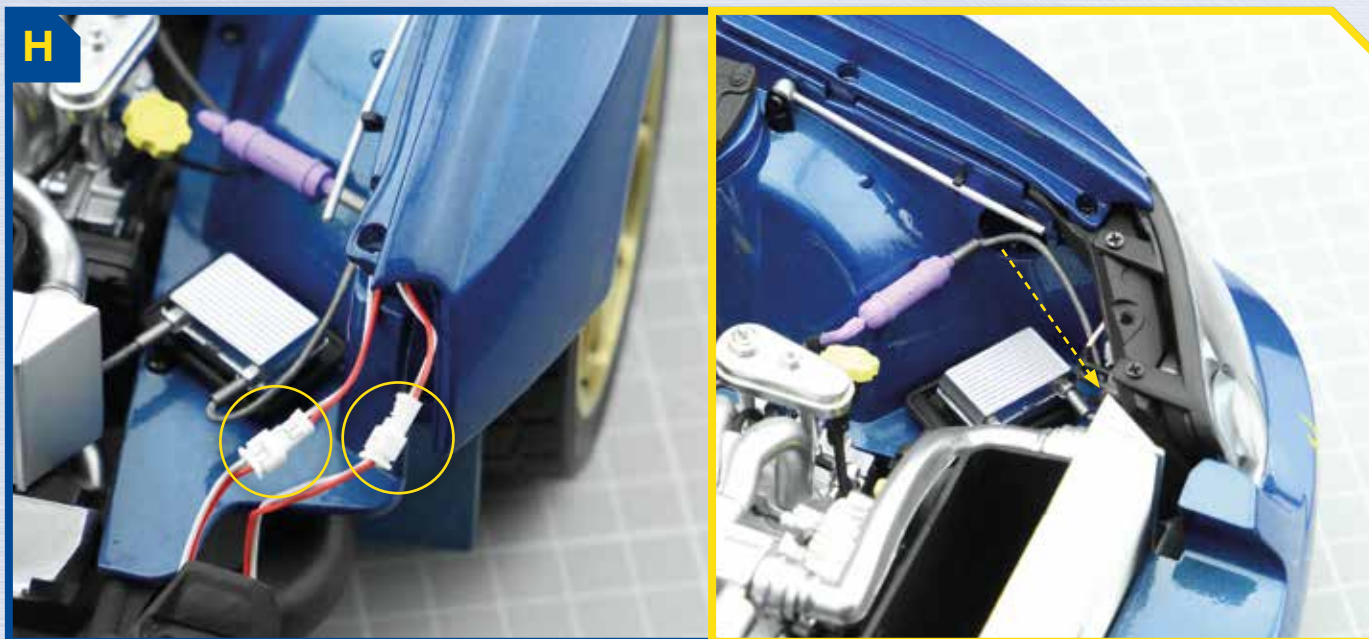


G

Couple front bumper 1A to the rest of the assembly



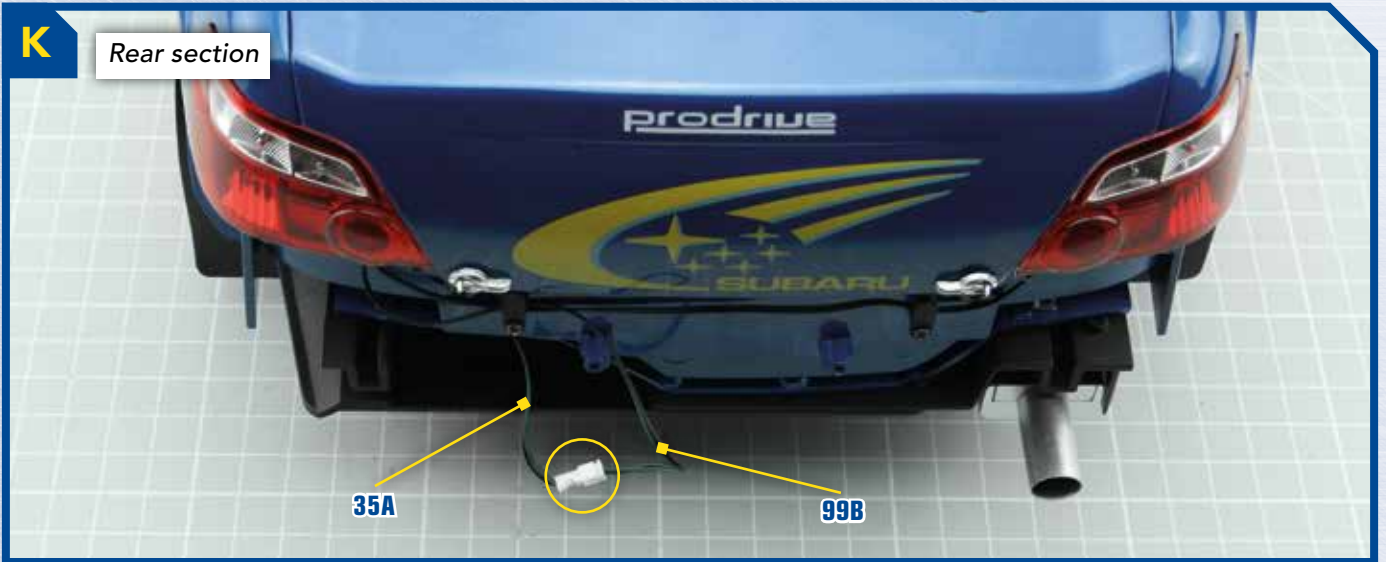
H





K

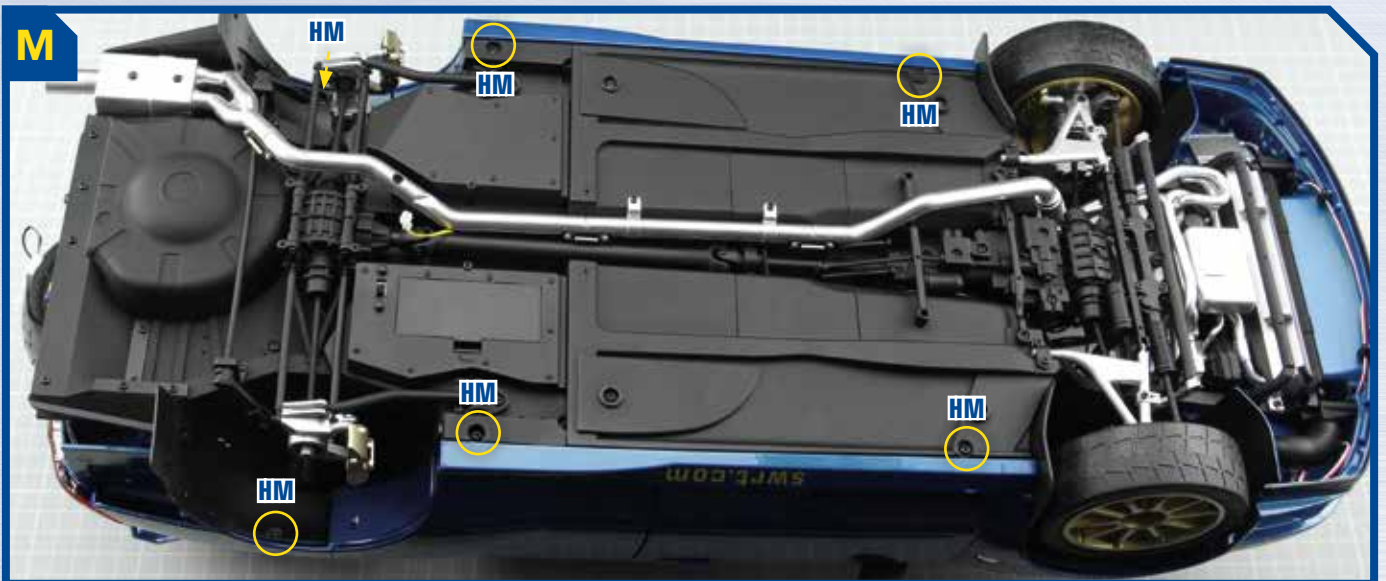
Rear section

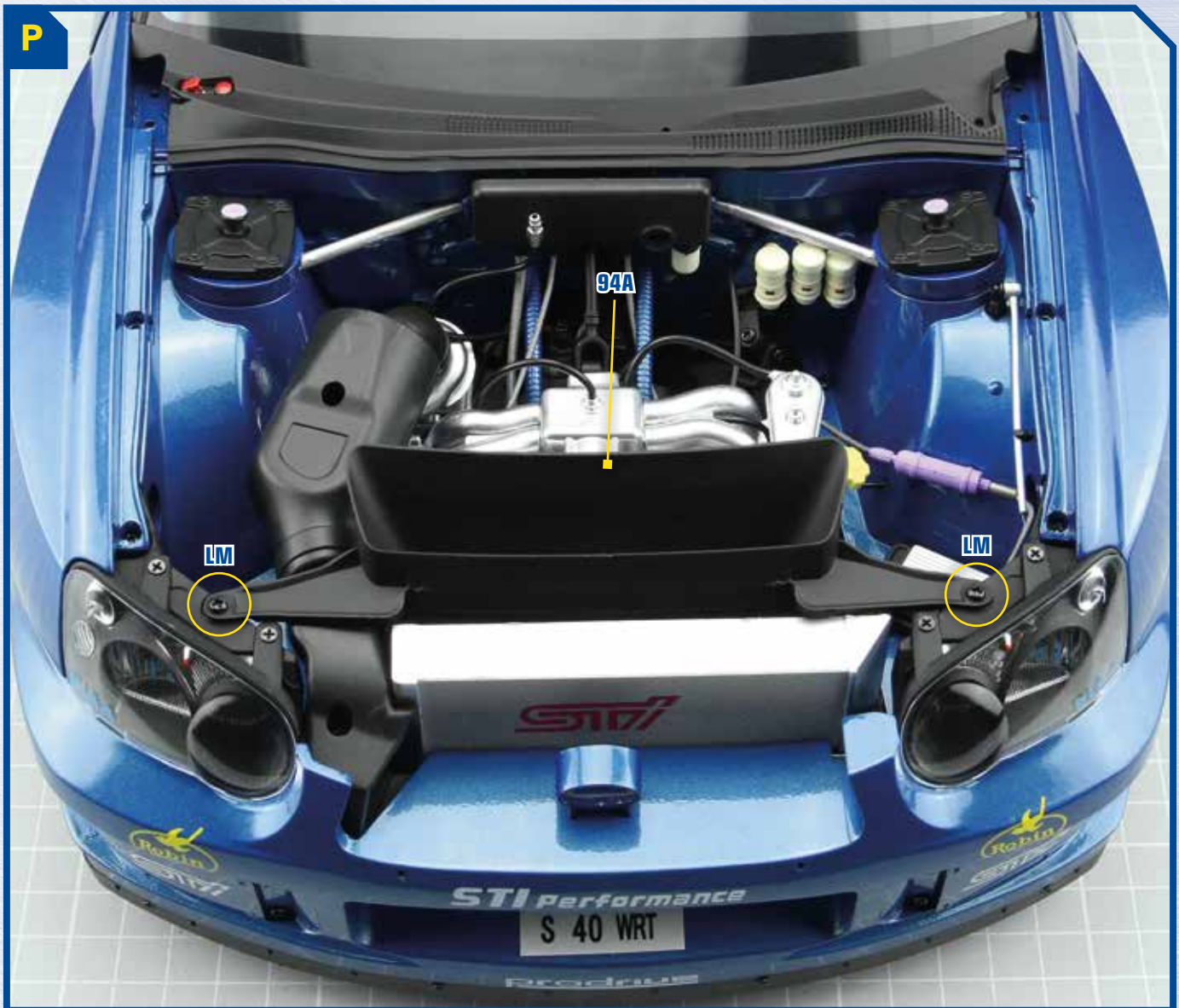
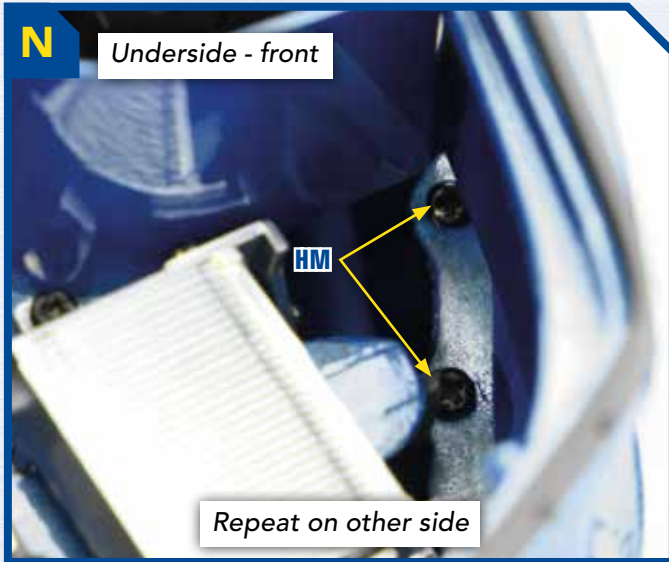


L



M

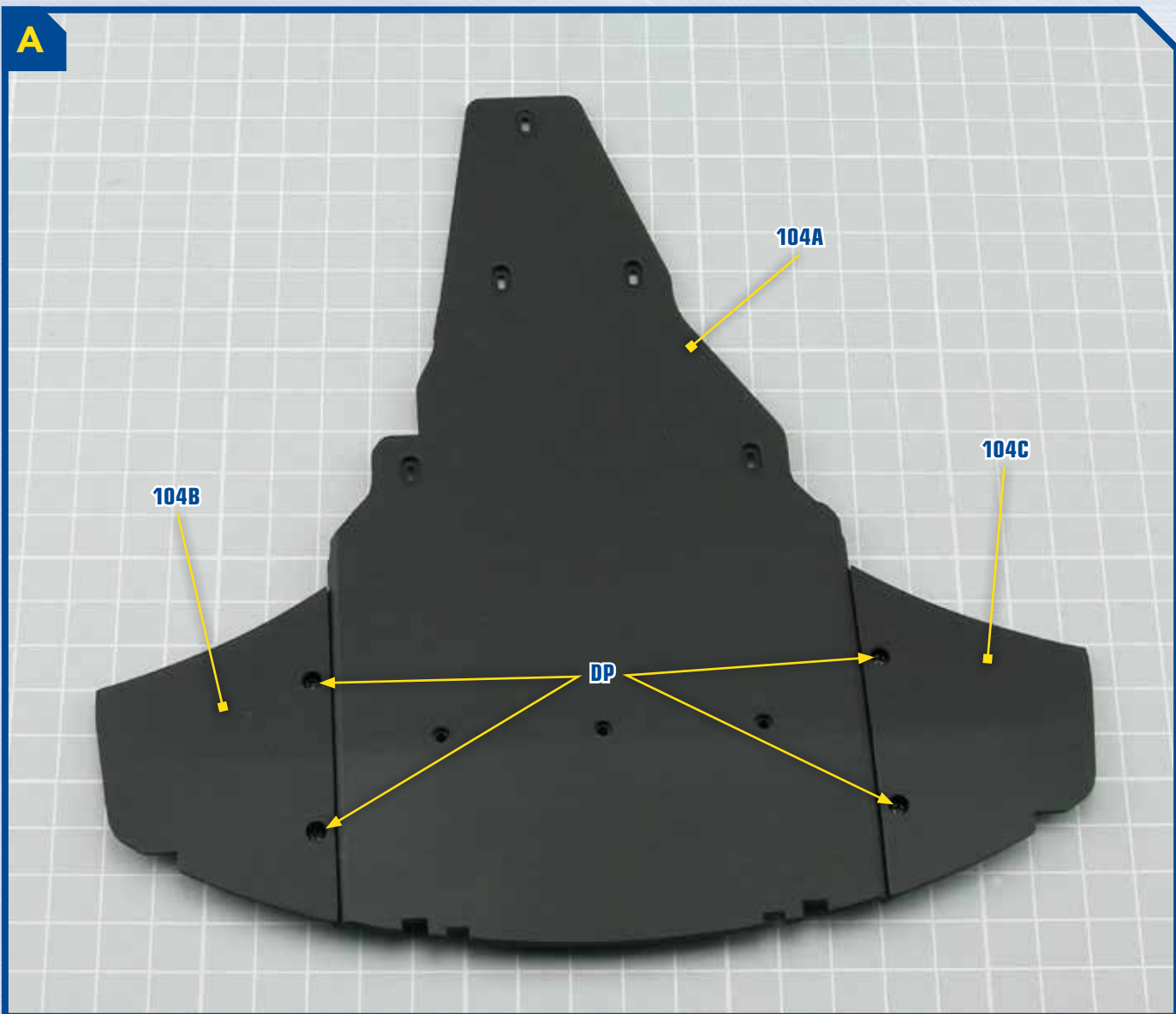
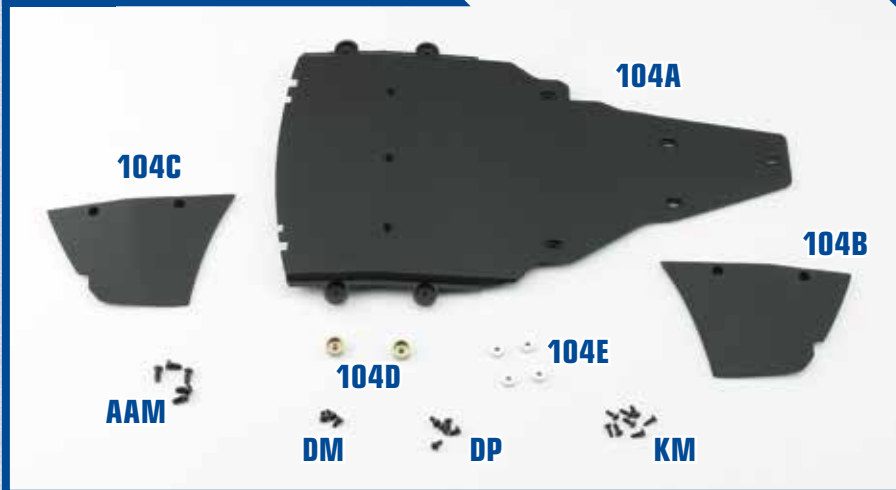




104 PARTS LIST

- 104A** Panel 1
- 104B** Panel 2 (L)
- 104C** Panel 3 (R)
- 104D** Hubs (x2)
- 104E** Screw covers (x4)

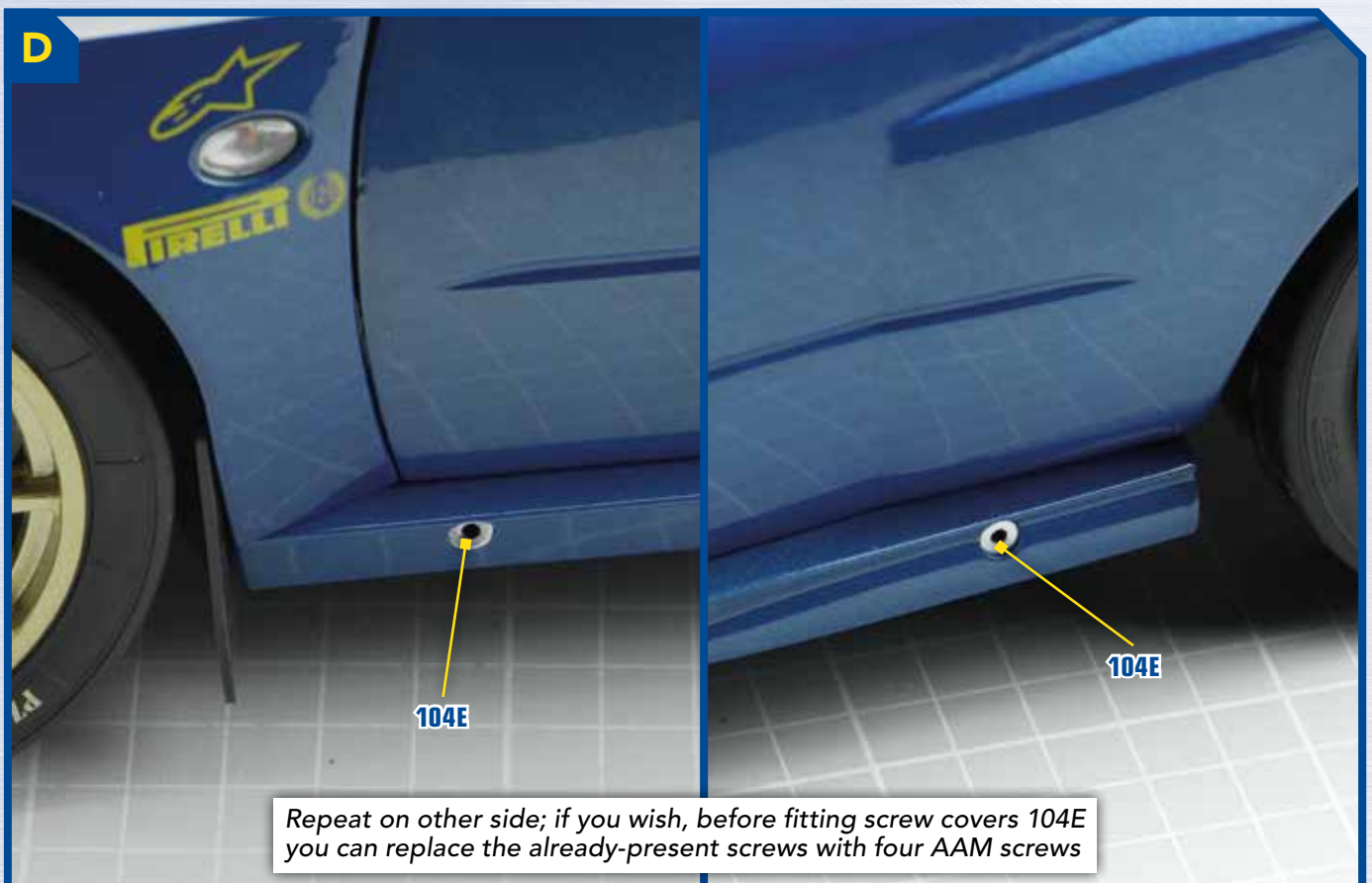
- DP** 5 screws (1.7x3mm)
- AAM** 5 screws (2.3x4.5mm)
- DM** 3 screws (1.7x3mm)
- KM** 8 screws (1.5x3mm)



B

Underside - front section

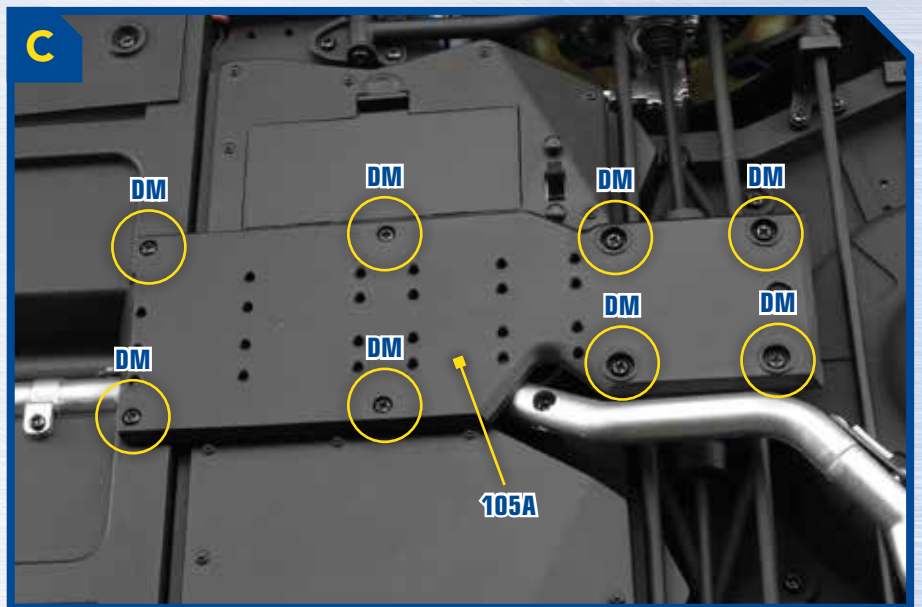
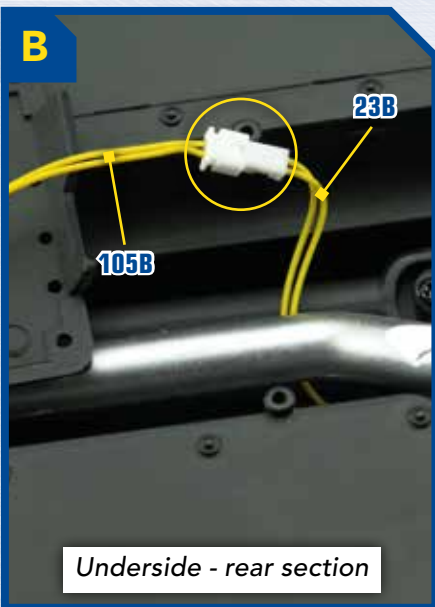
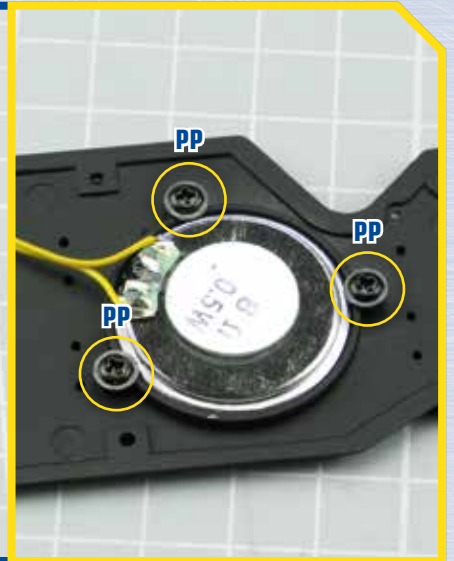
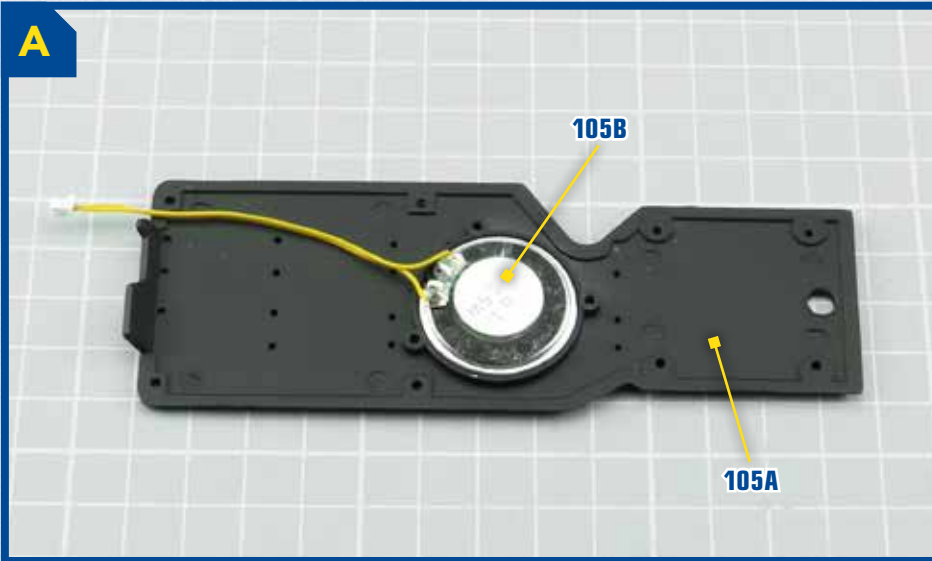
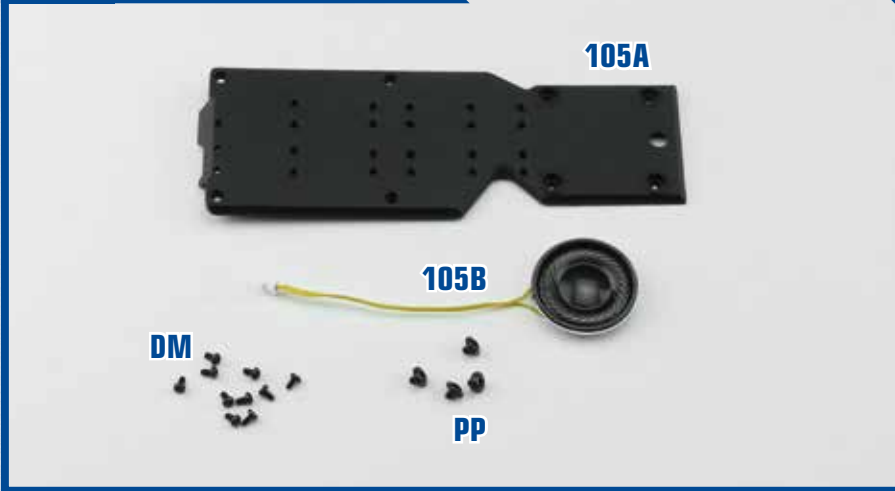




105 PARTS LIST

105A Differential cover
105B Speaker

PP 4 screws (2x2.5x5.5mm)
DM 10 screws (1.7x3mm)



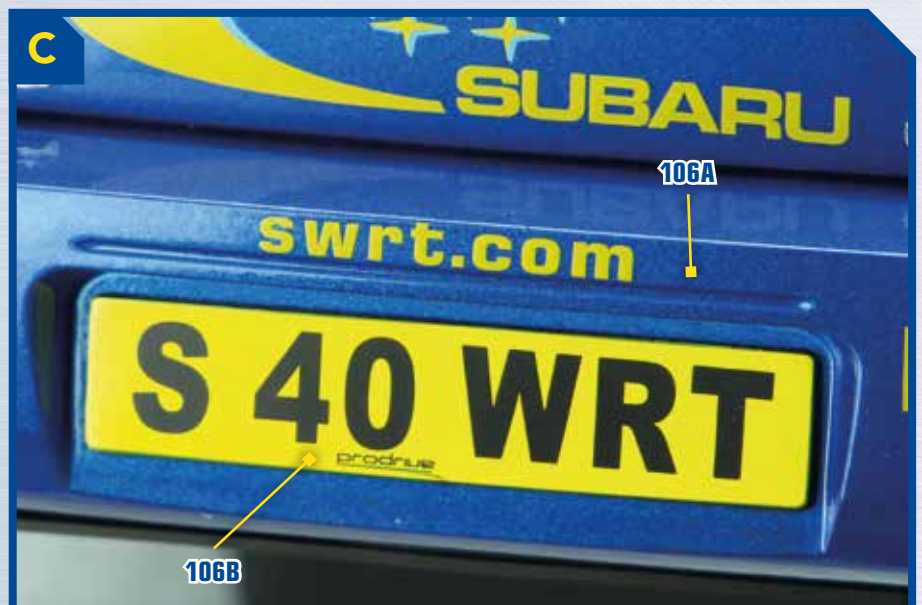
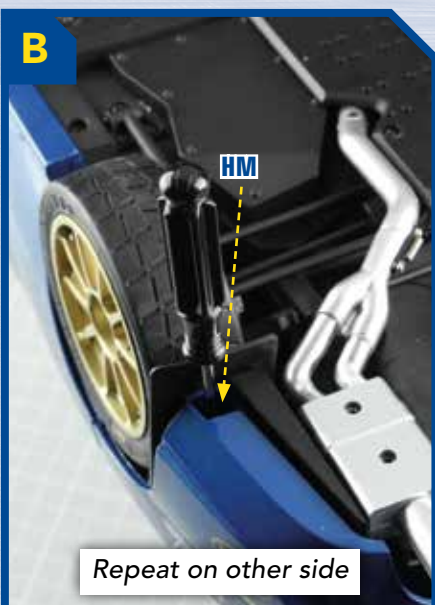
106 PARTS LIST

106A Rear bumper

106B Plate

HM 3 screws (2.3x5mm)

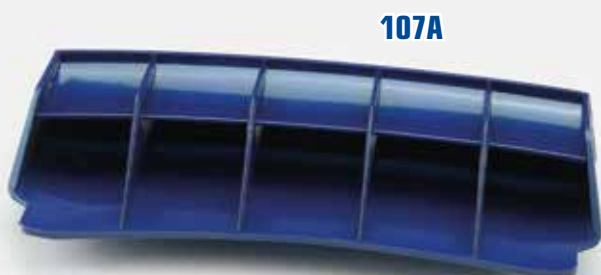
LM 3 screws (2x4mm)



107 PARTS LIST

107A Spoiler

EP 3 screws (2x5mm)



A

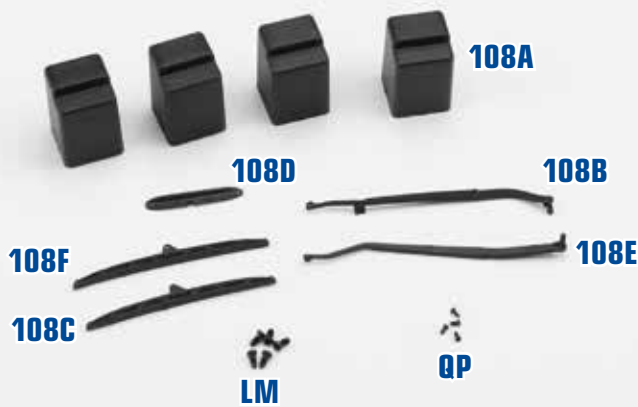
Couple spoiler 107A to boot lid 85A

85A

107A



108 PARTS LIST



- 108A** Model supports (x4)*
- 108B** Wiper arm 1 (L)
- 108C** Wiper blade 1 (L)
- 108D** Wiper deflector
- 108E** Wiper arm 2 (R)
- 108F** Wiper blade 2 (R)

- QP** 4 screws (1.2x2.5mm)
- LM** 5 screws (2x4mm)

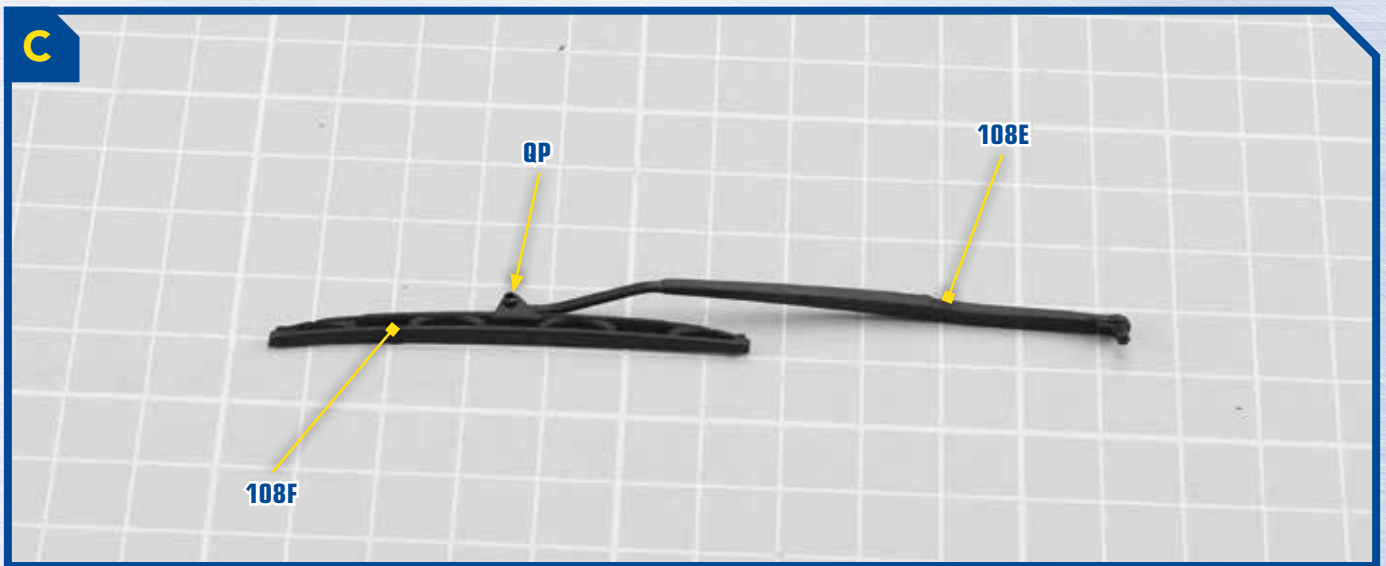
* You may choose to put supports 108A beneath your model to keep wheels raised.

A



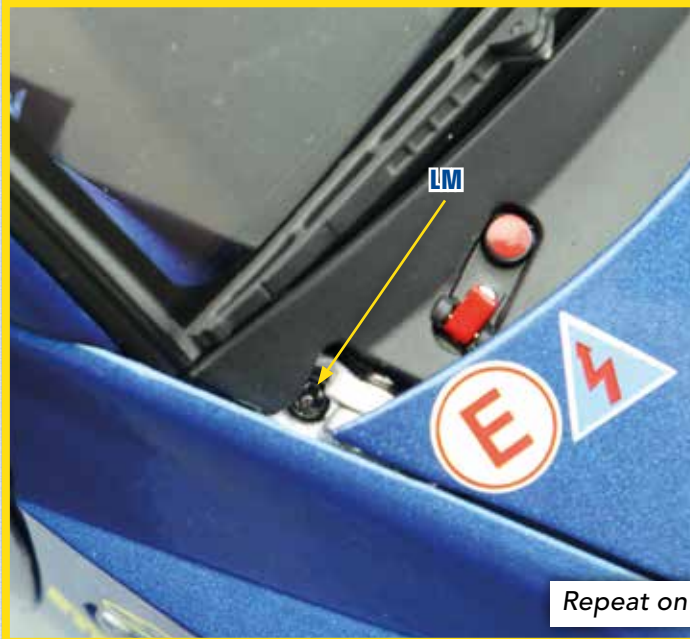
B





E

Couple bonnet 96A to the rest of the assembly

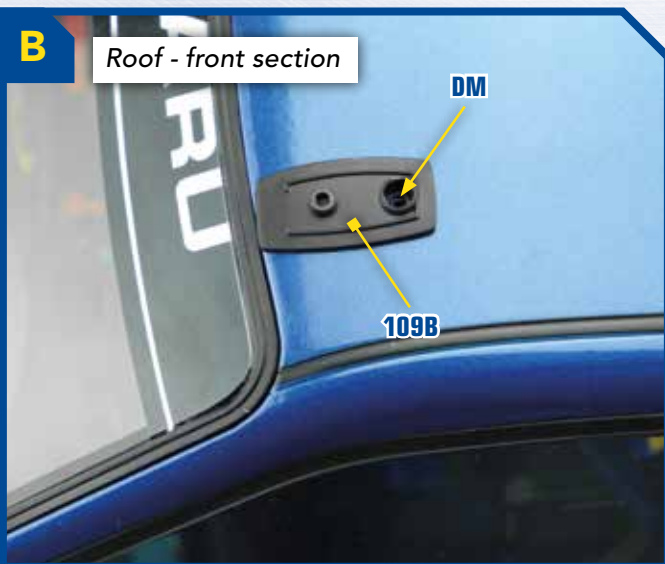
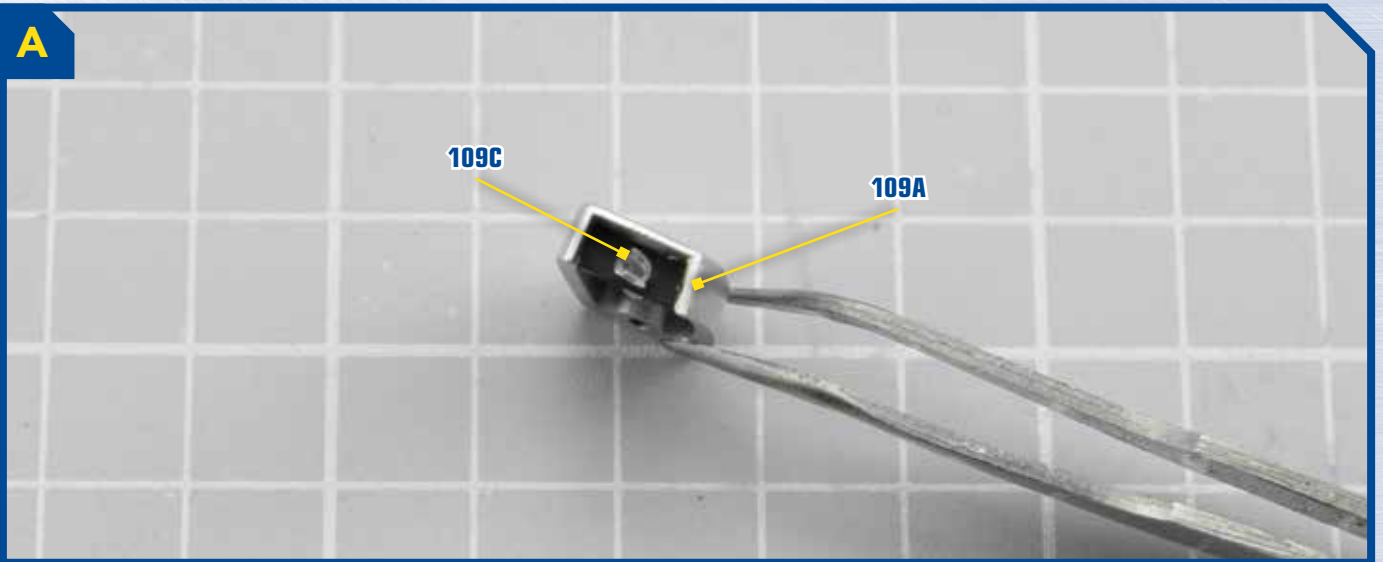
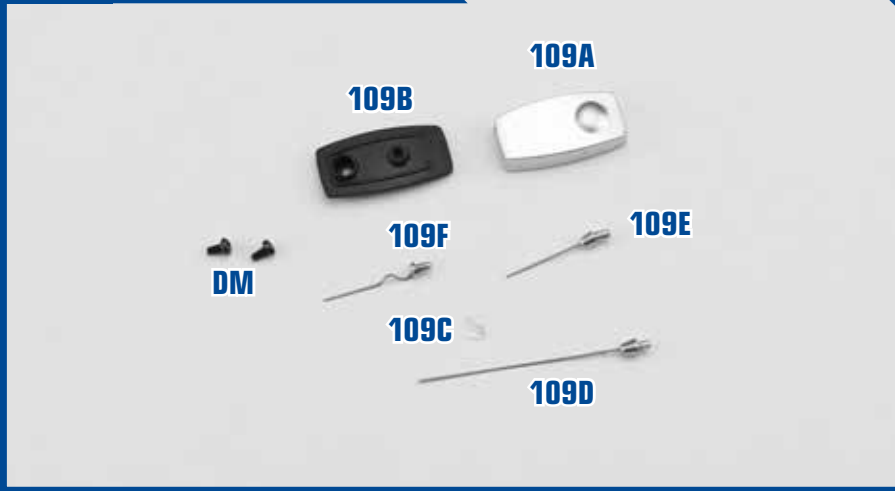


Repeat on other side

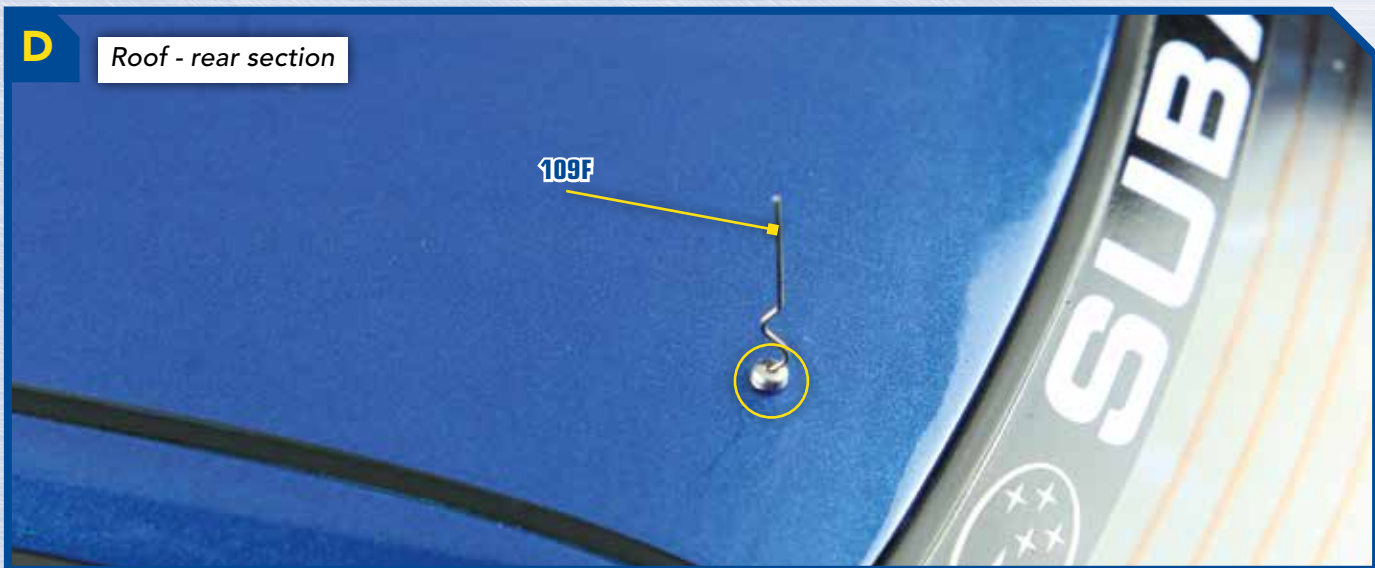
109 PARTS LIST

- 109A** Camera
- 109B** Camera mount
- 109C** Camera lens
- 109D** Aerial 1
- 109E** Aerial 2
- 109F** Aerial 3

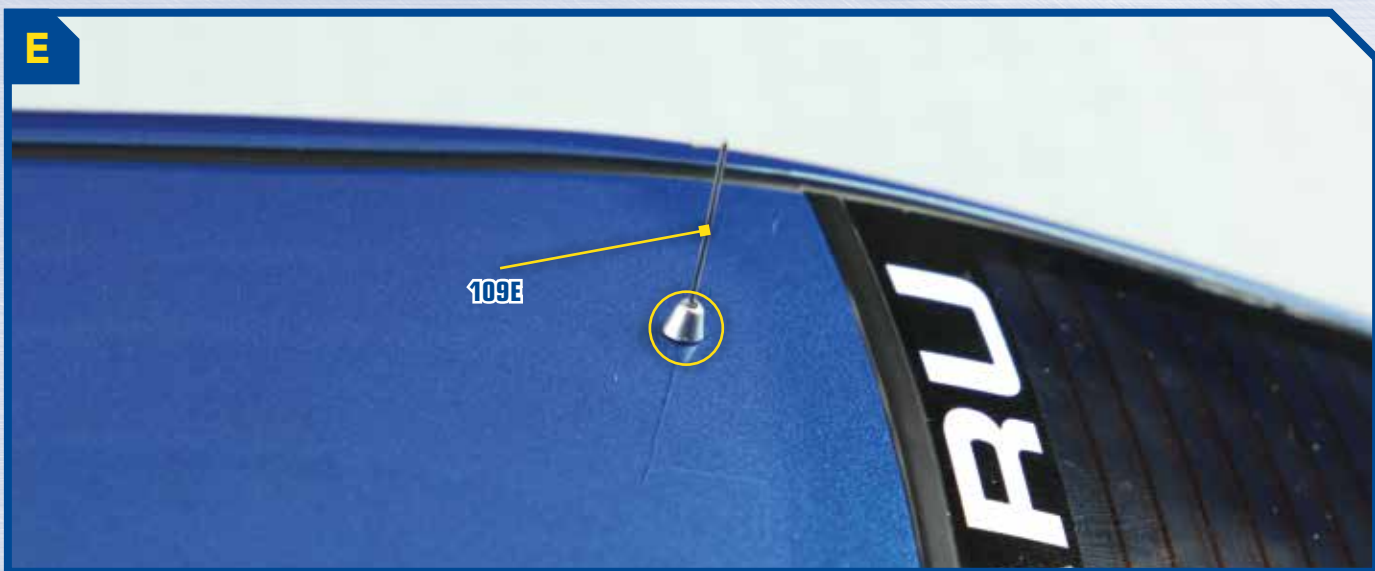
- DM** 2 screws (1.7x3mm)



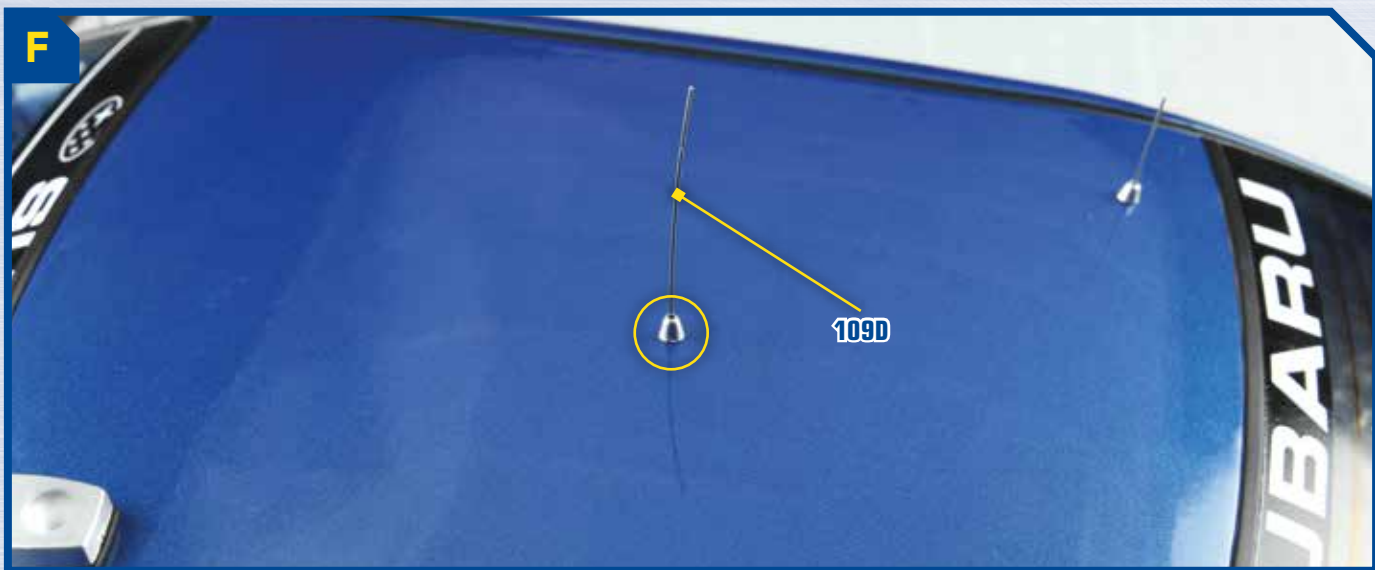
D Roof - rear section



E



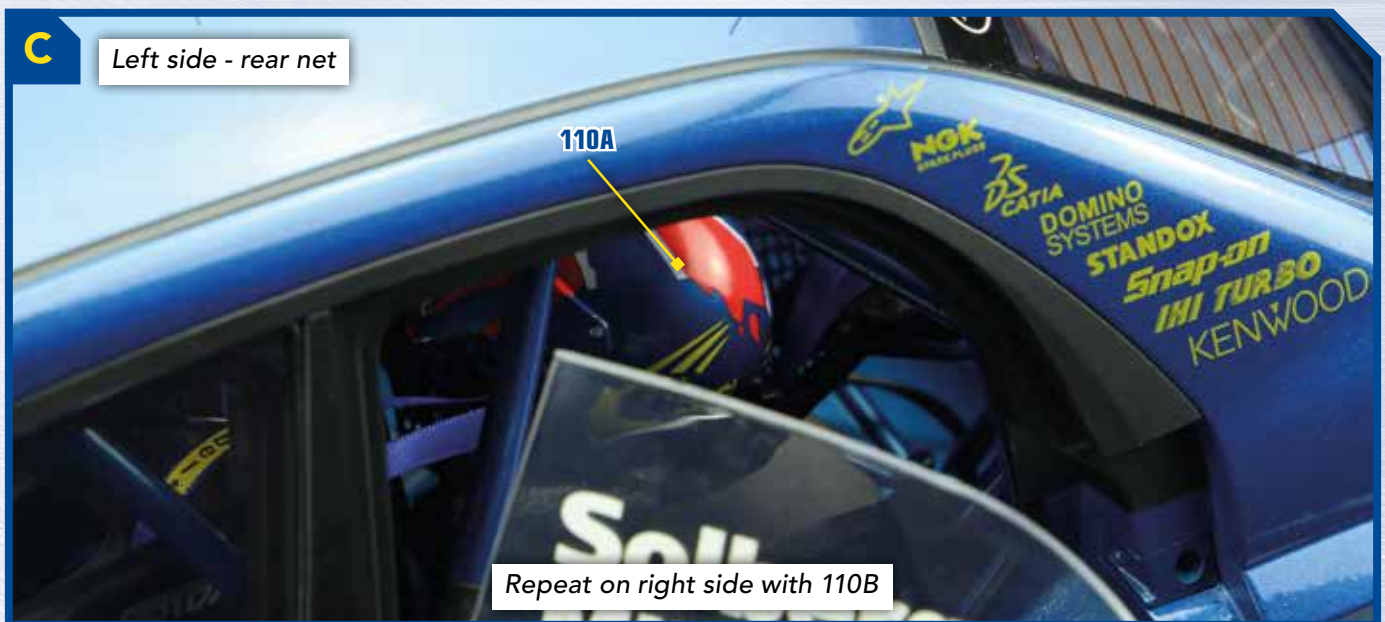
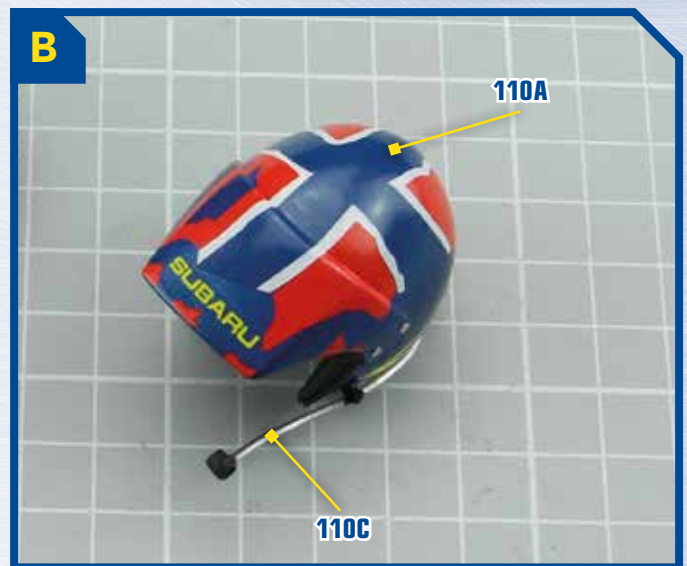
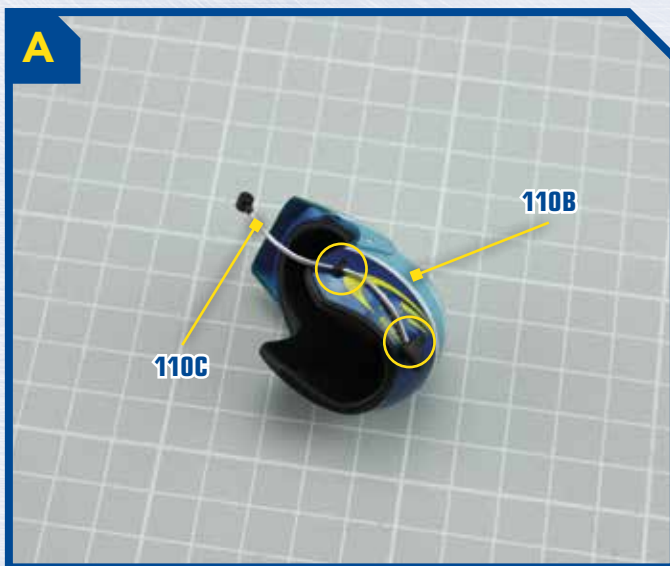
F



110 PARTS LIST

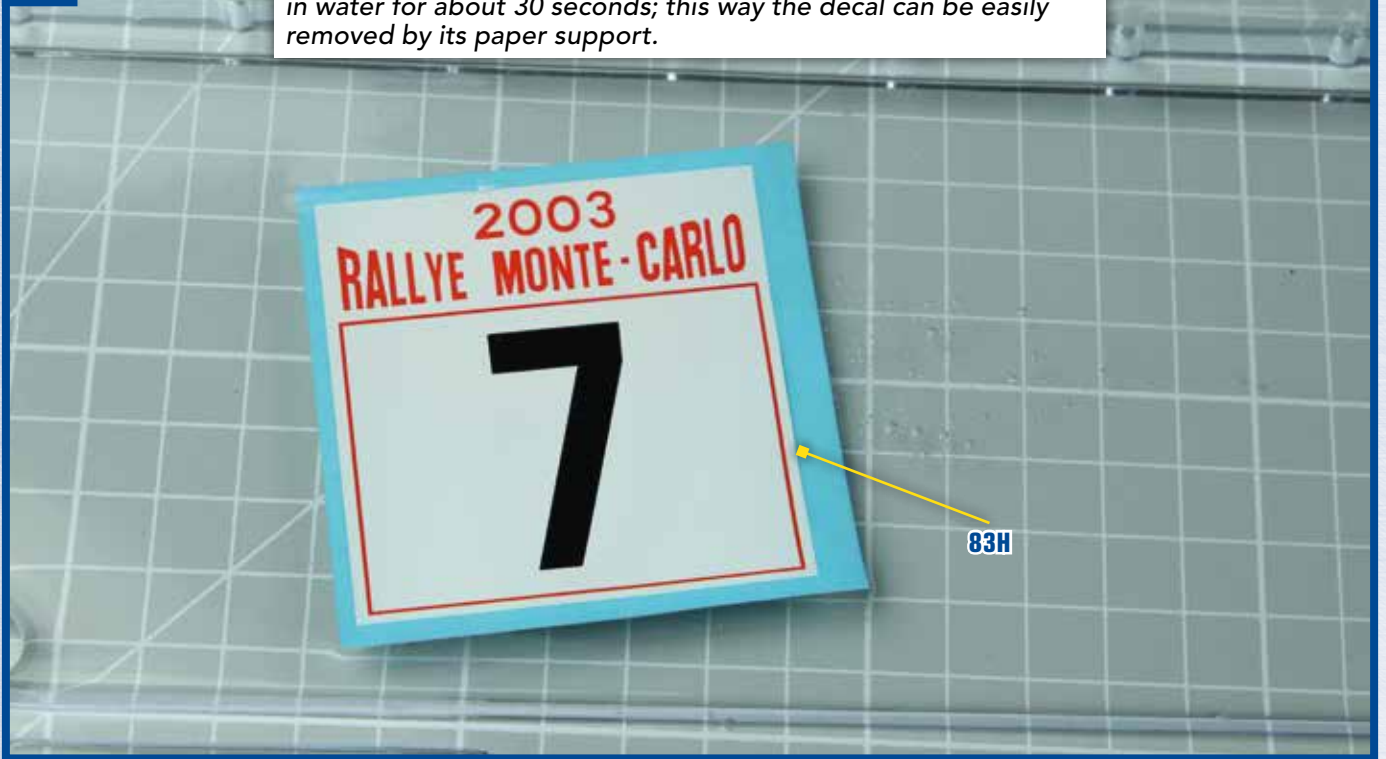
- 110A** Driver's helmet
- 110B** Navigator's helmet
- 110C** Microphones (x2)
- 110D** Decal 1
- 110E** Decal 2
- 110F** Decals 3 (x2)
- 110G** Decal 4
- 110H** Decal 5

* The decals provided with this stage can be used to replace the ones provided with stage 83 if they get damaged.



D

Before you apply decals on your model, you need to soak them in water for about 30 seconds; this way the decal can be easily removed by its paper support.

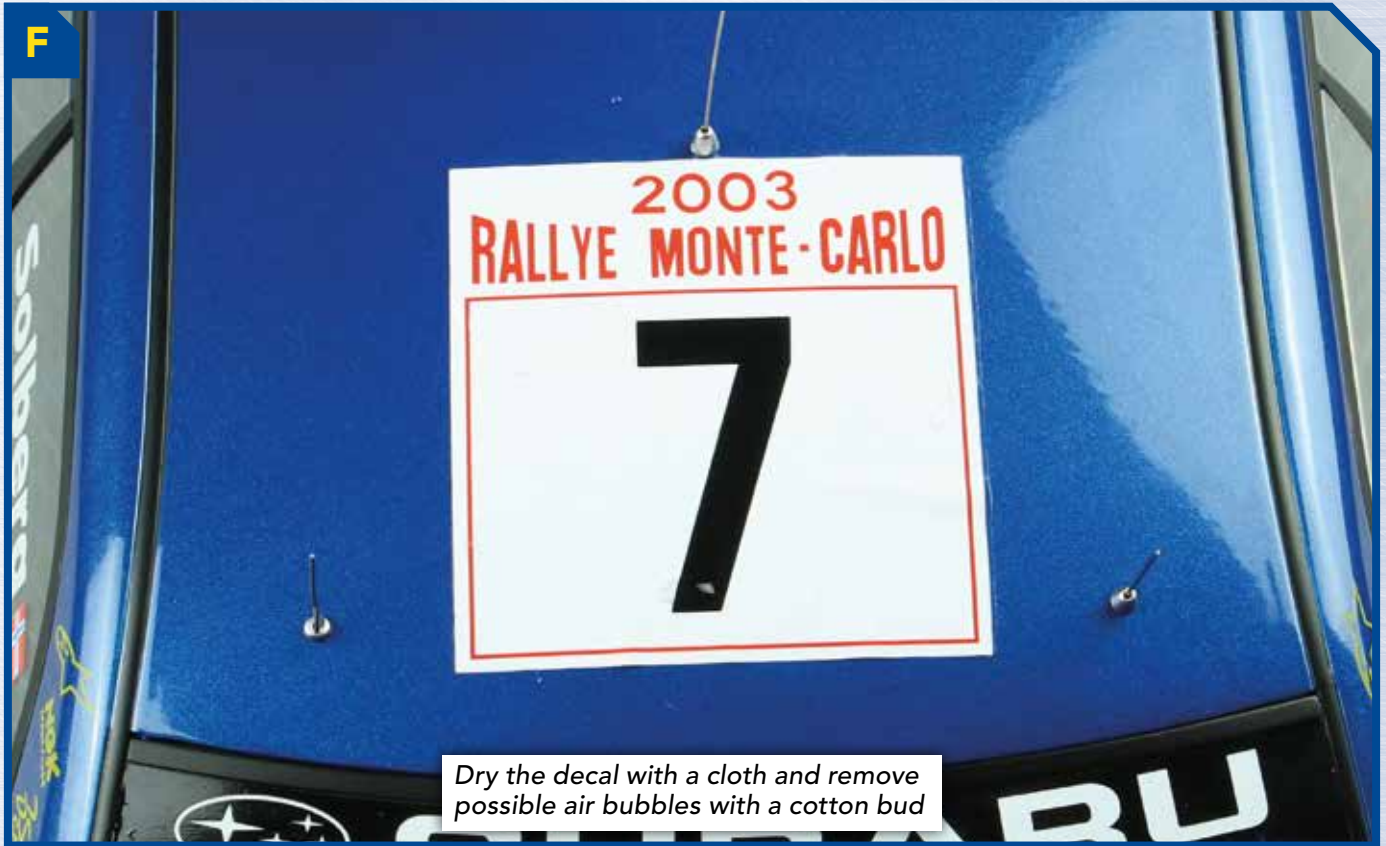


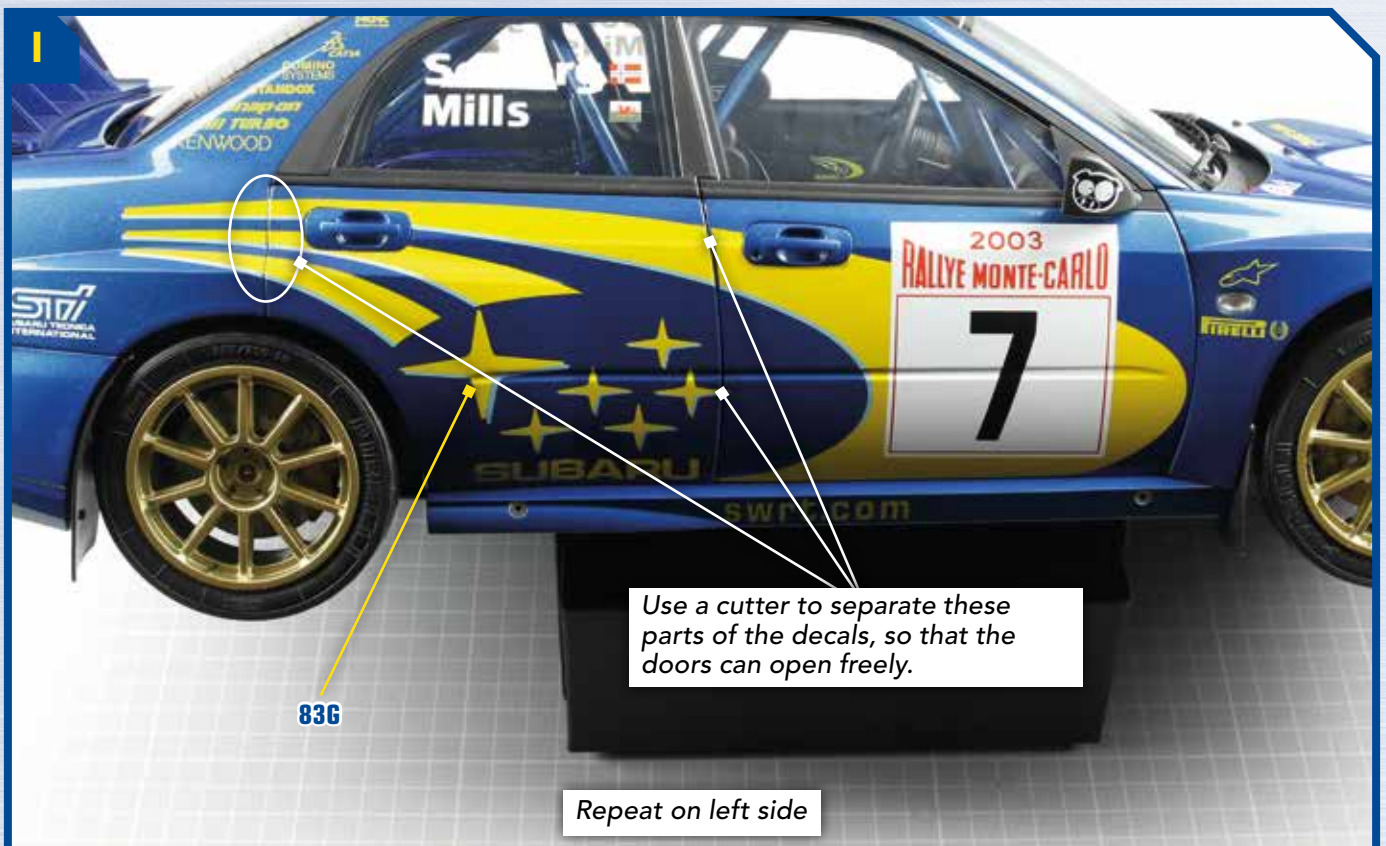
E

Roof - rear section

Apply the wet decal, then remove its paper support with pliers.







Your Subaru Impreza WRC 2003 full kit is broken down as follows:

PACK 1	#1-5, #8, #10-13
PACK 2	#14-33
PACK 3	#34-52
PACK 4	#53-63, #65, #68-72
PACK 5	#73-74, #76-78, #80-82
PACK 6	#83-84, #86-89, #92-95
PACK 7	#97-101, #103-105
PACK 8	#106-110
PACK 9	#75, #79, #85, #90-91, #96
PACK 10	#6-7, #9, #66-67, #102
PACK 11	#64





 **SUBARU**

HALLYE MONTE-CARLO

SUBARU
WORLD RALLY TEAM

PIAA


Robin

STI

STI Performance

S 40 WRT

prodrive

